

[54] TWO FLAP CONTAINER CAP

[75] Inventors: John R. Hickman, Talmadge, Ohio;
Nickolas J. Kriska, Laurel, Md.

[73] Assignee: Weatherchem Corporation,
Twinsburg, Ohio

[**] Term: 14 Years

[21] Appl. No.: 899,935

[22] Filed: Aug. 25, 1986
(Under 37 CFR 1.47)

[52] U.S. Cl. D9/449

[58] Field of Search D9/434-499;
222/480-565

[56] References Cited

U.S. PATENT DOCUMENTS

- D. 200,270 2/1965 Waterman D9/450
- D. 204,509 4/1966 Waterman D9/450
- D. 249,023 8/1978 Ames D9/440
- D. 272,807 2/1984 Ruhl D9/449

- D. 278,602 4/1985 Rosenstein D9/449
- 3,217,949 11/1965 Davis 222/480
- 3,469,732 9/1969 Foster 222/480 X
- 4,284,200 8/1981 Bush et al. 222/480 X

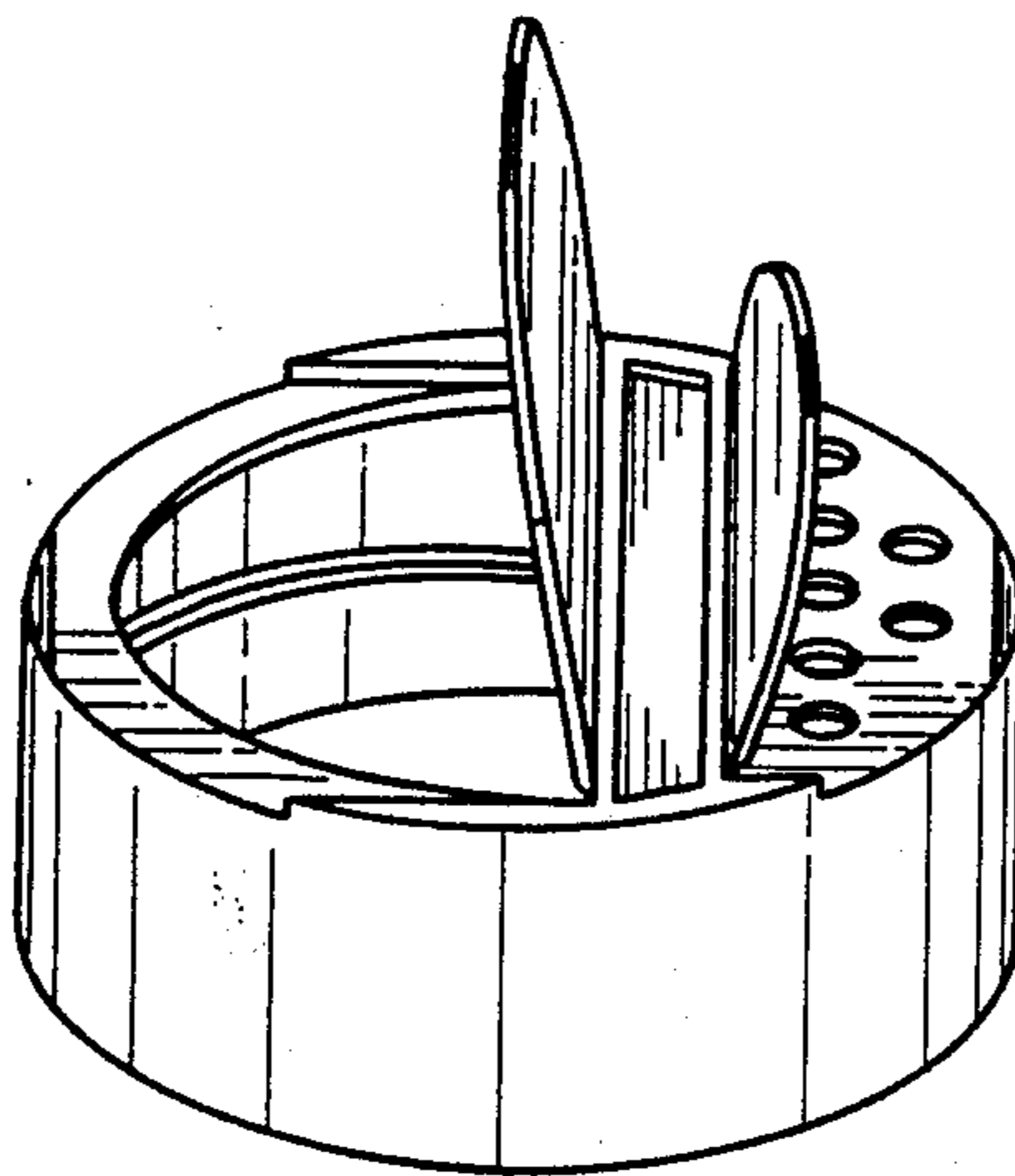
Primary Examiner—Melvin B. Feifer
Attorney, Agent, or Firm—Pearne, Gordon, McCoy &
Granger

[57] CLAIM

The ornamental design for a two flap container cap, as shown and described.

DESCRIPTION

FIG. 1 is a perspective view of a two flap container cap showing my new design;
 FIG. 2 is a top plan view thereof;
 FIG. 3 is a side elevational view taken from the right of FIG. 1;
 FIG. 4 is a side elevational view taken from the left of FIG. 1.
 FIG. 5 is a front elevational view thereof;
 FIG. 6 is a bottom plan view thereof; and
 FIG. 7 is a bottom perspective view thereof.



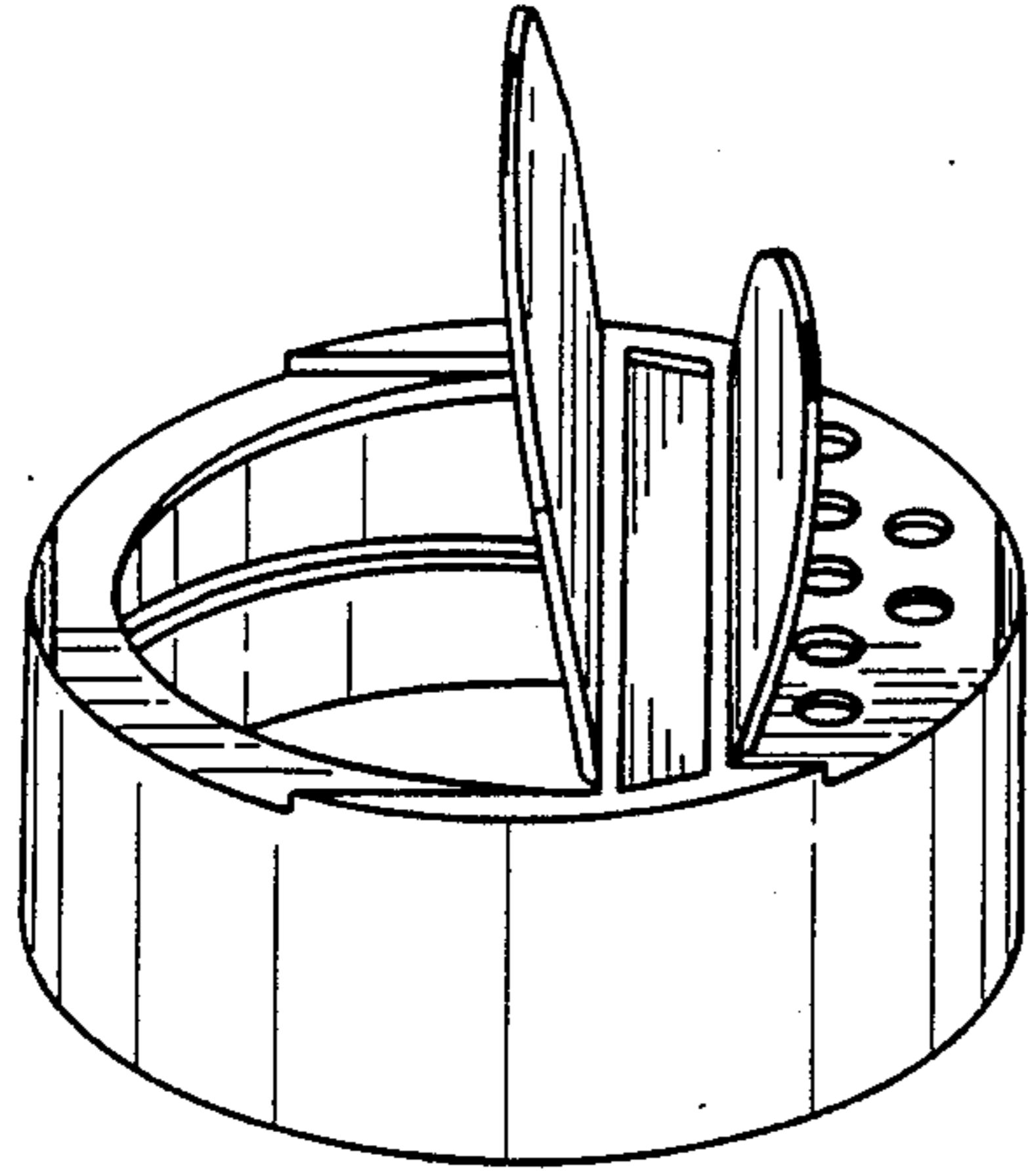


FIG. 1

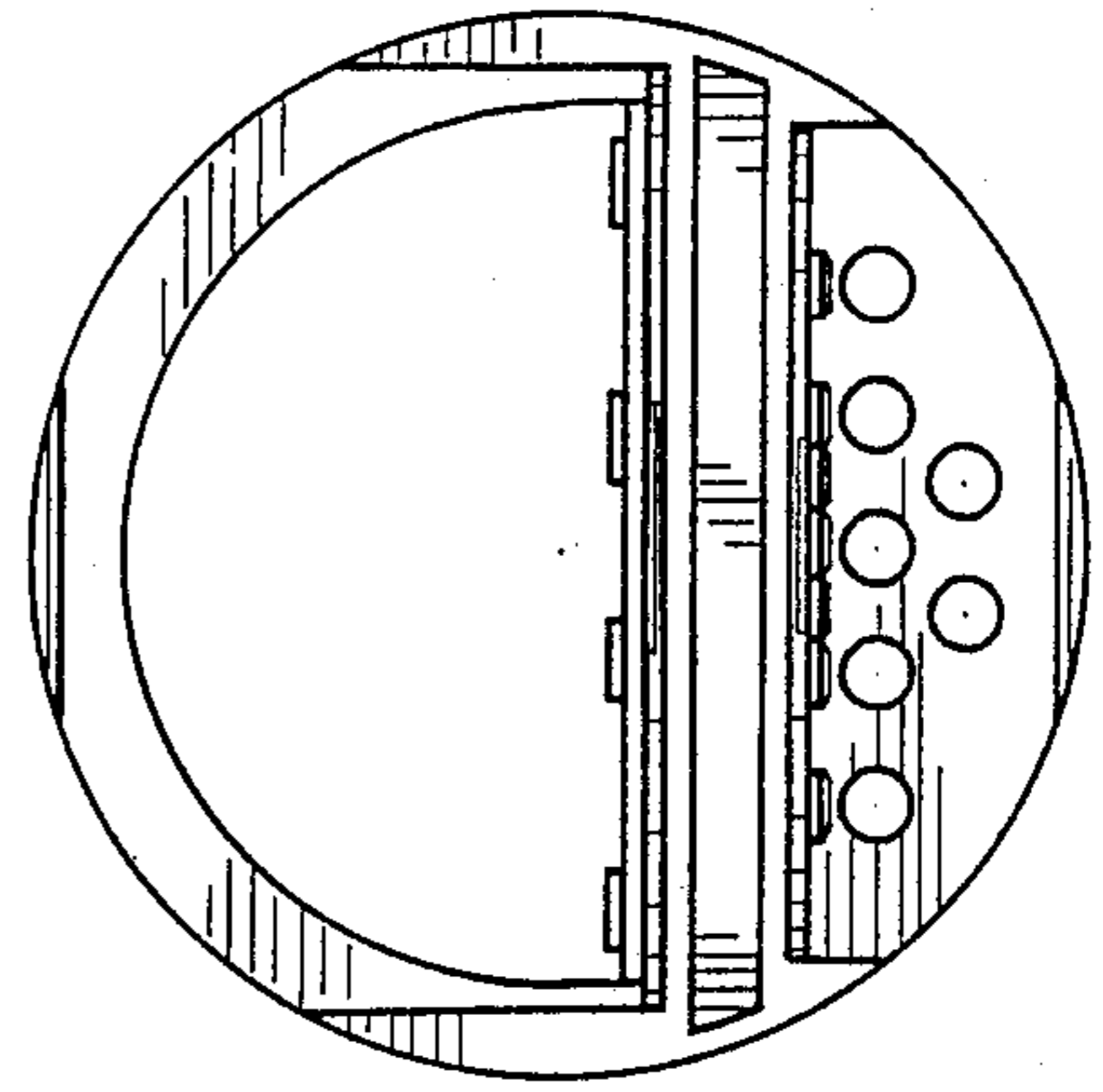


FIG. 2

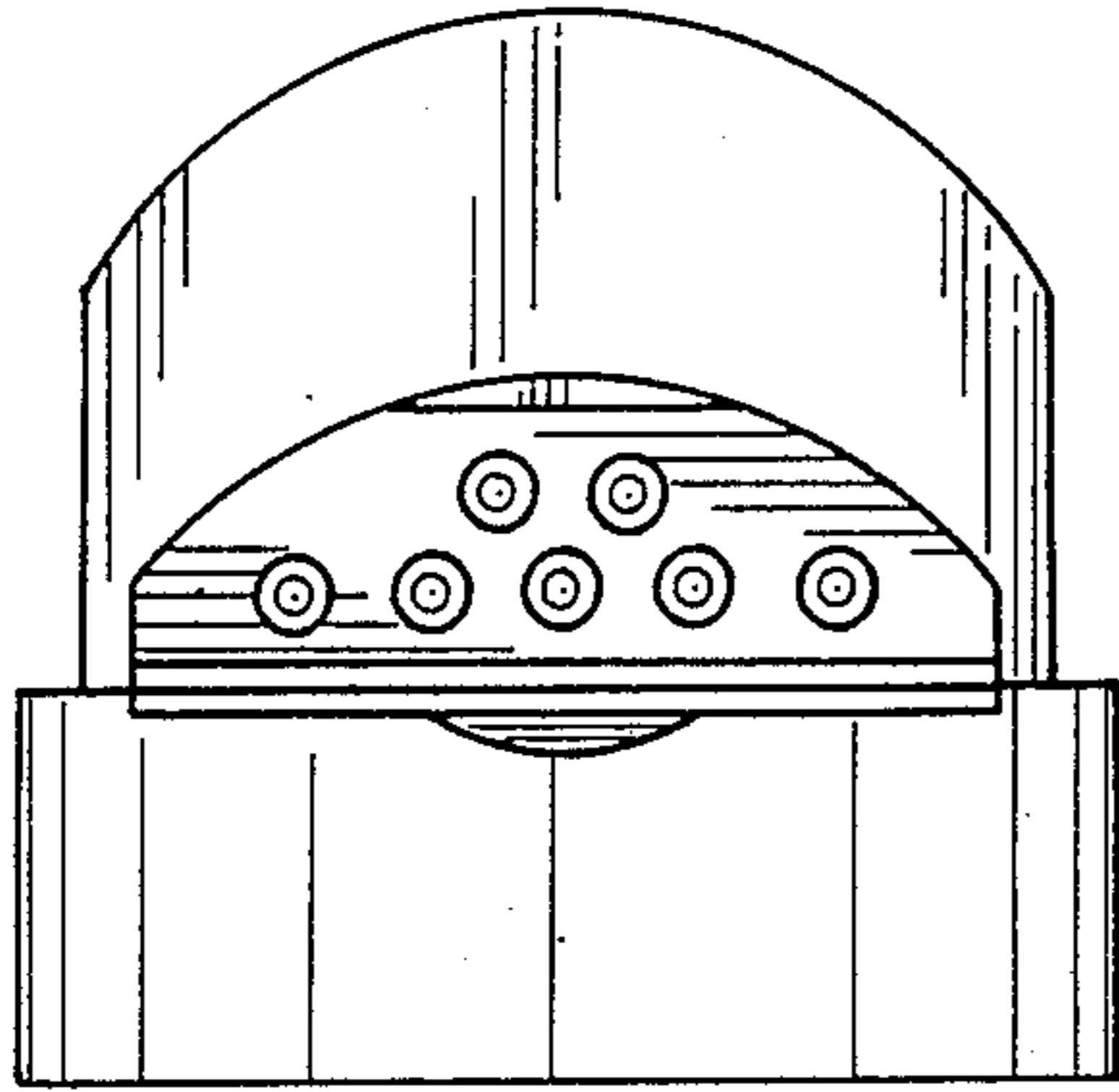


FIG. 3

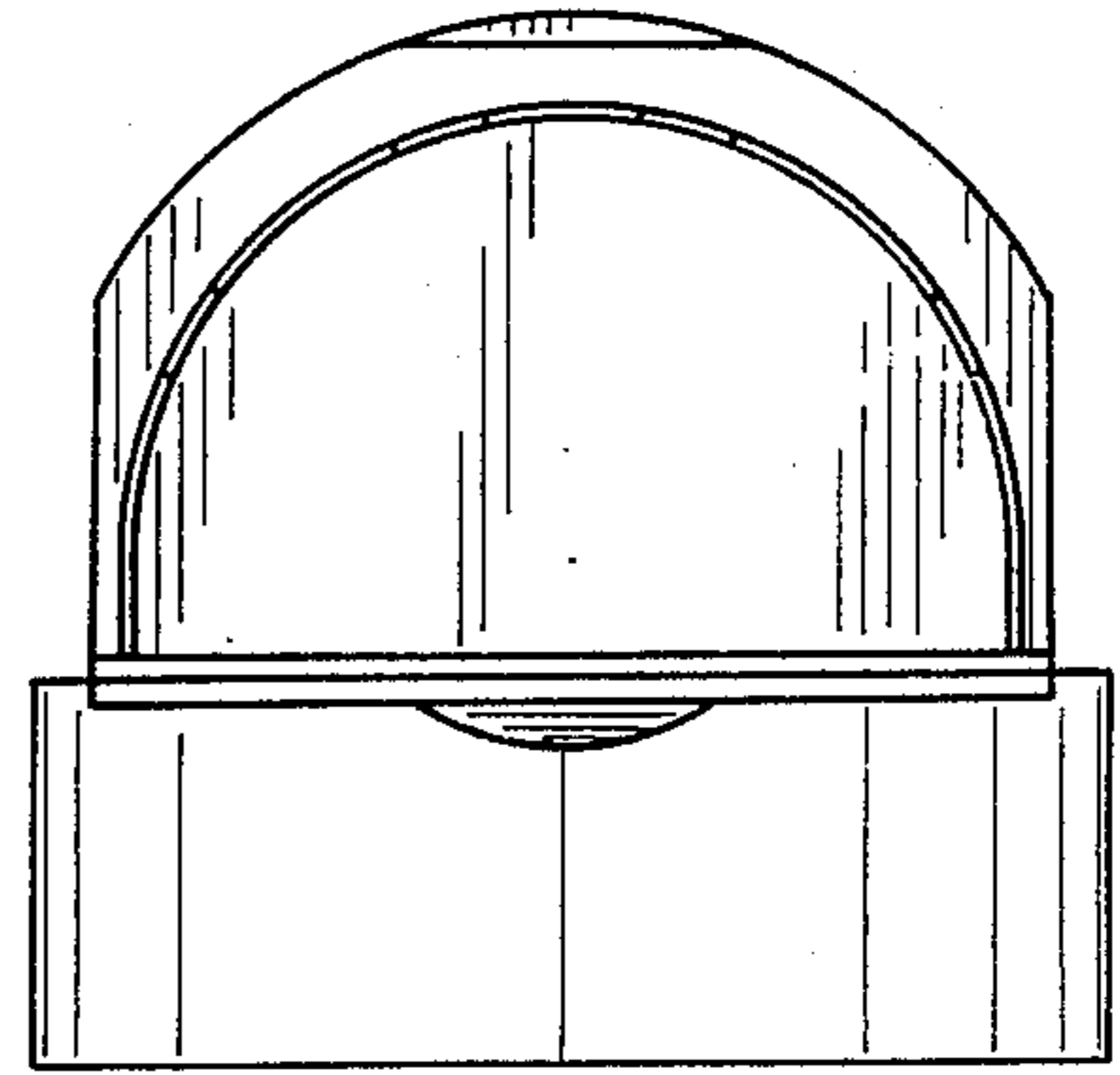


FIG. 4

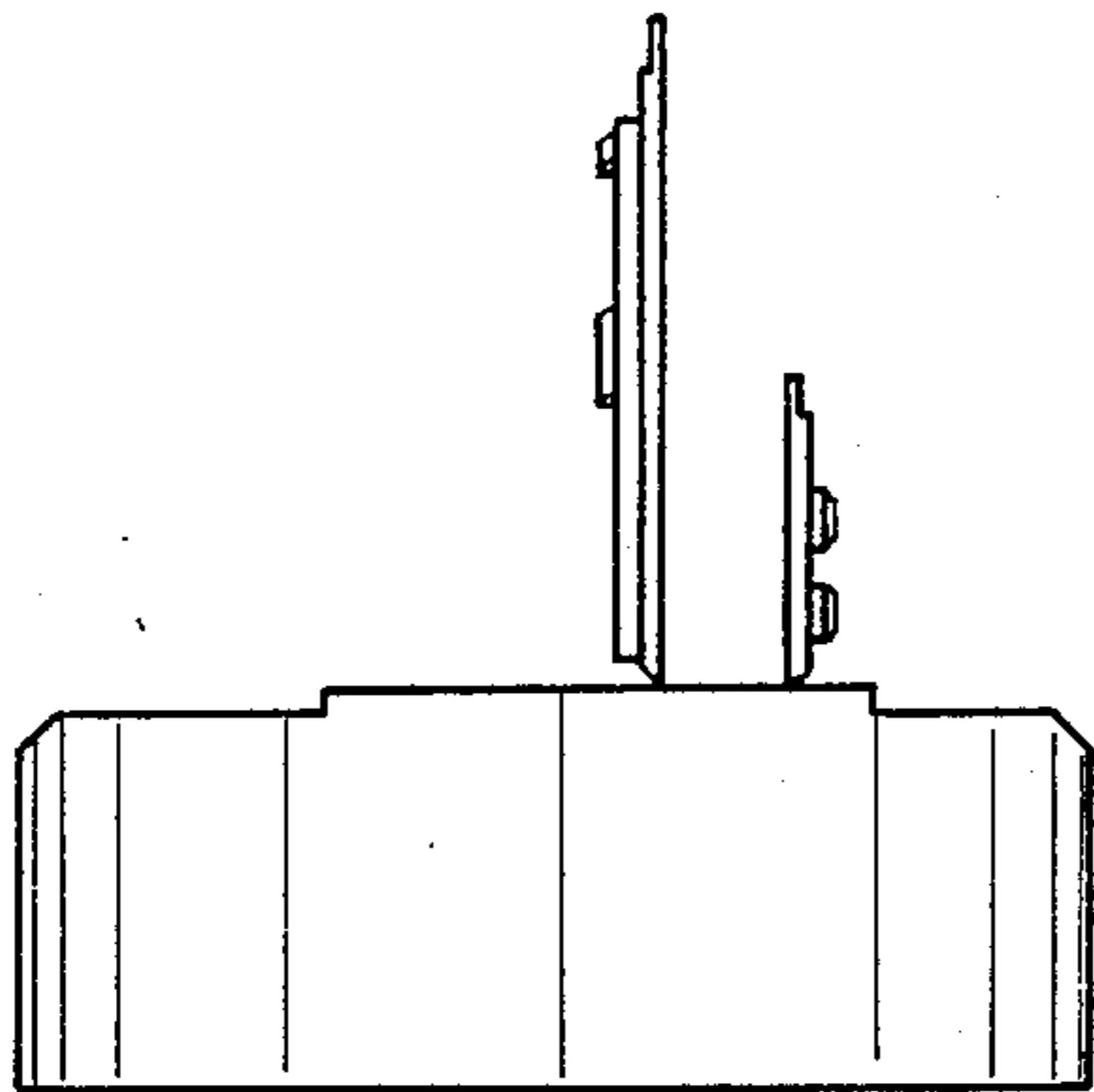


FIG. 5

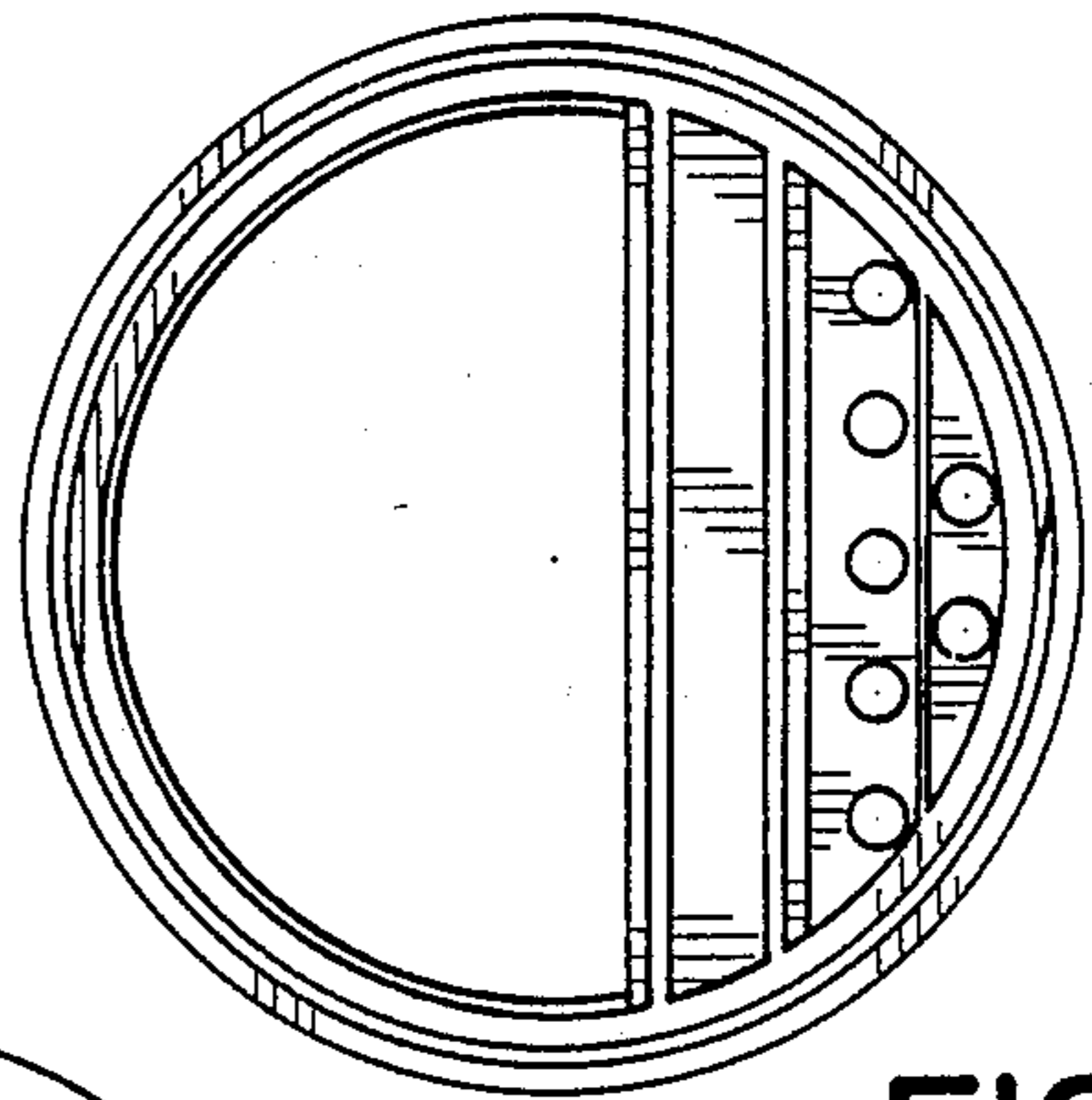


FIG. 6

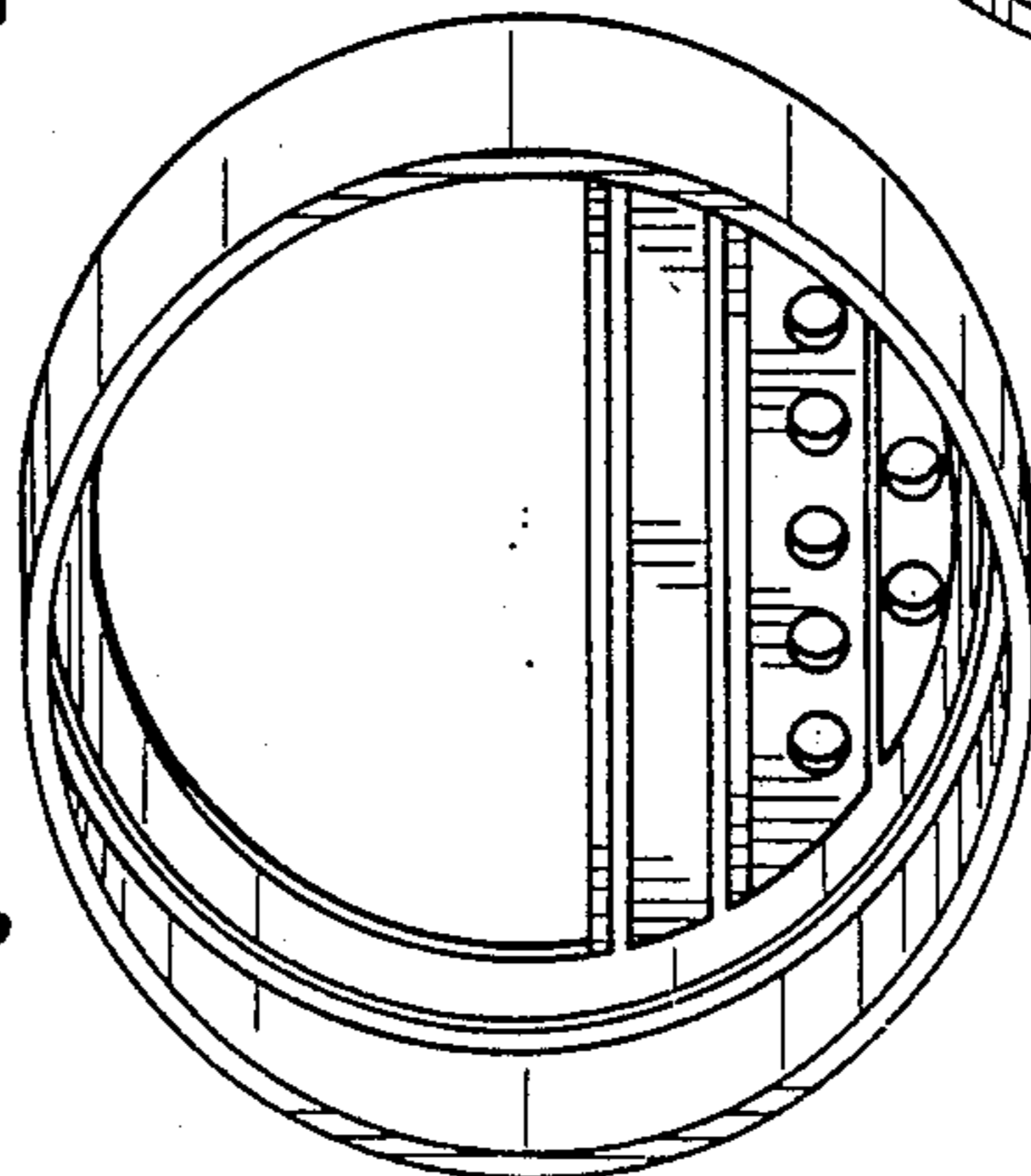


FIG. 7

b11