

[54] **MULTI-VIAL LEVEL ATTACHMENT FOR HAND-HELD DRILLS**

[75] **Inventor: David E. Johnson, Lancaster, Ohio**

[73] **Assignee: The Arcair Company, Lancaster, Ohio**

[**] **Term: 14 Years**

[21] **Appl. No.: 857,618**

[22] **Filed: Apr. 24, 1986**

[52] **U.S. Cl. D8/70; D10/69**

[58] **Field of Search D8/14, 62-70; D10/69, 74; 33/334, 347**

[56] **References Cited**

U.S. PATENT DOCUMENTS

D. 162,841	4/1951	King	D10/69
D. 255,504	6/1980	Vanderwerf	D10/69
1,333,559	3/1920	Moulton	33/333
2,820,302	1/1958	Mitchell	33/347
4,125,944	11/1978	Esposito et al.	33/347
4,141,151	2/1979	Jansky	33/334
4,393,599	7/1983	Sterrenberg	33/347

FOREIGN PATENT DOCUMENTS

1934717 2/1970 Fed. Rep. of Germany 33/347

OTHER PUBLICATIONS

Dejon Co. advertising mailer for the "Drill-Level".
Do-It-Yourself retailing Aug. 1986, p. 32, "Drill-Level".

Primary Examiner—Bruce W. Dunkins
Assistant Examiner—Clare E. Heflin
Attorney, Agent, or Firm—James C. Simmons

[57] **CLAIM**

The ornamental design for a multi-vial level attachment for hand-held drills, as shown and described.

DESCRIPTION

FIG. 1 is a front, top and left side perspective view of the multi-vial level attachment for hand-held drills showing my new design, the rear view being plain and unornamented.

FIG. 2 is a front, top and right side perspective view thereof.

FIG. 3 is a left side elevational view thereof.

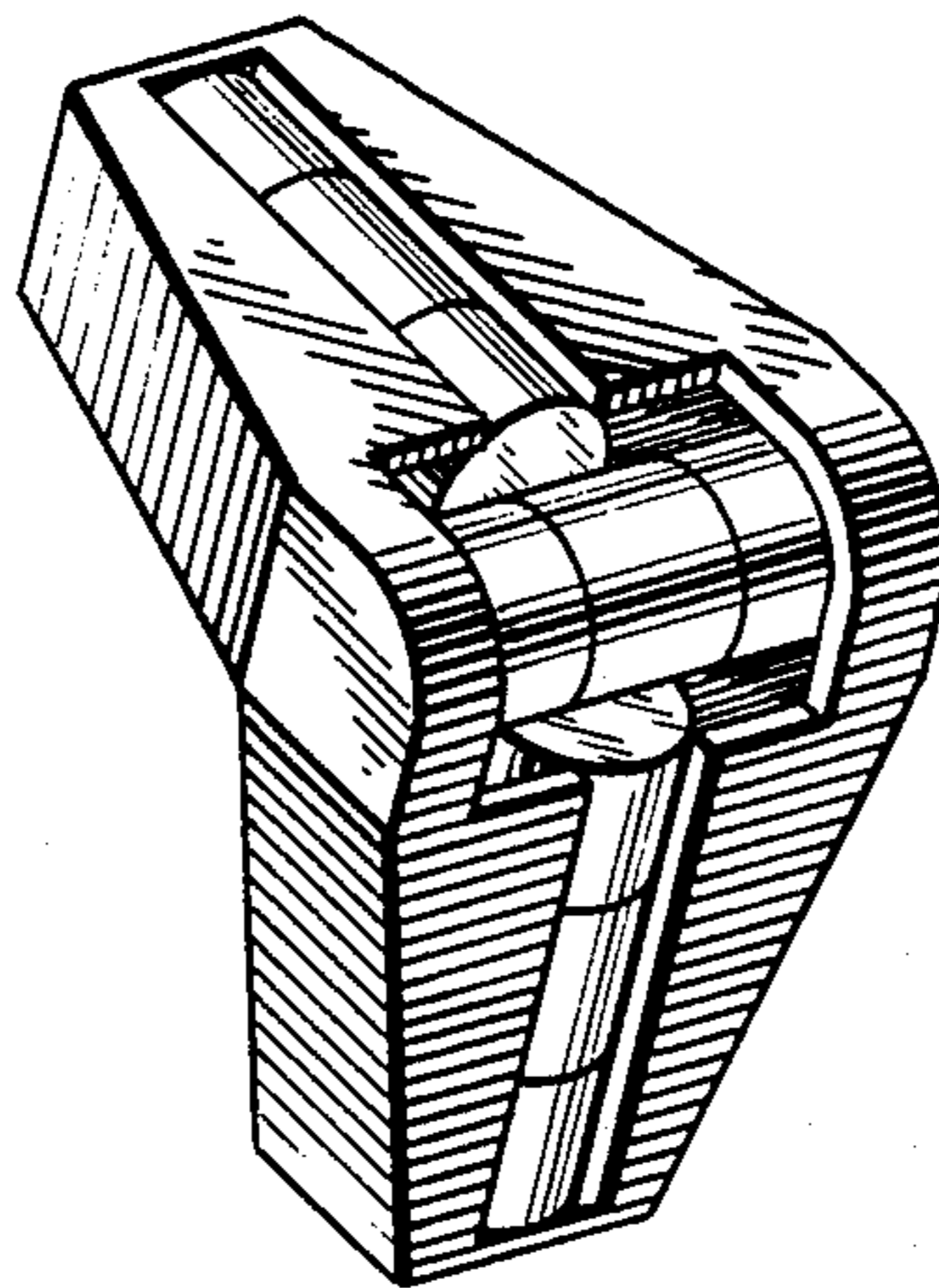
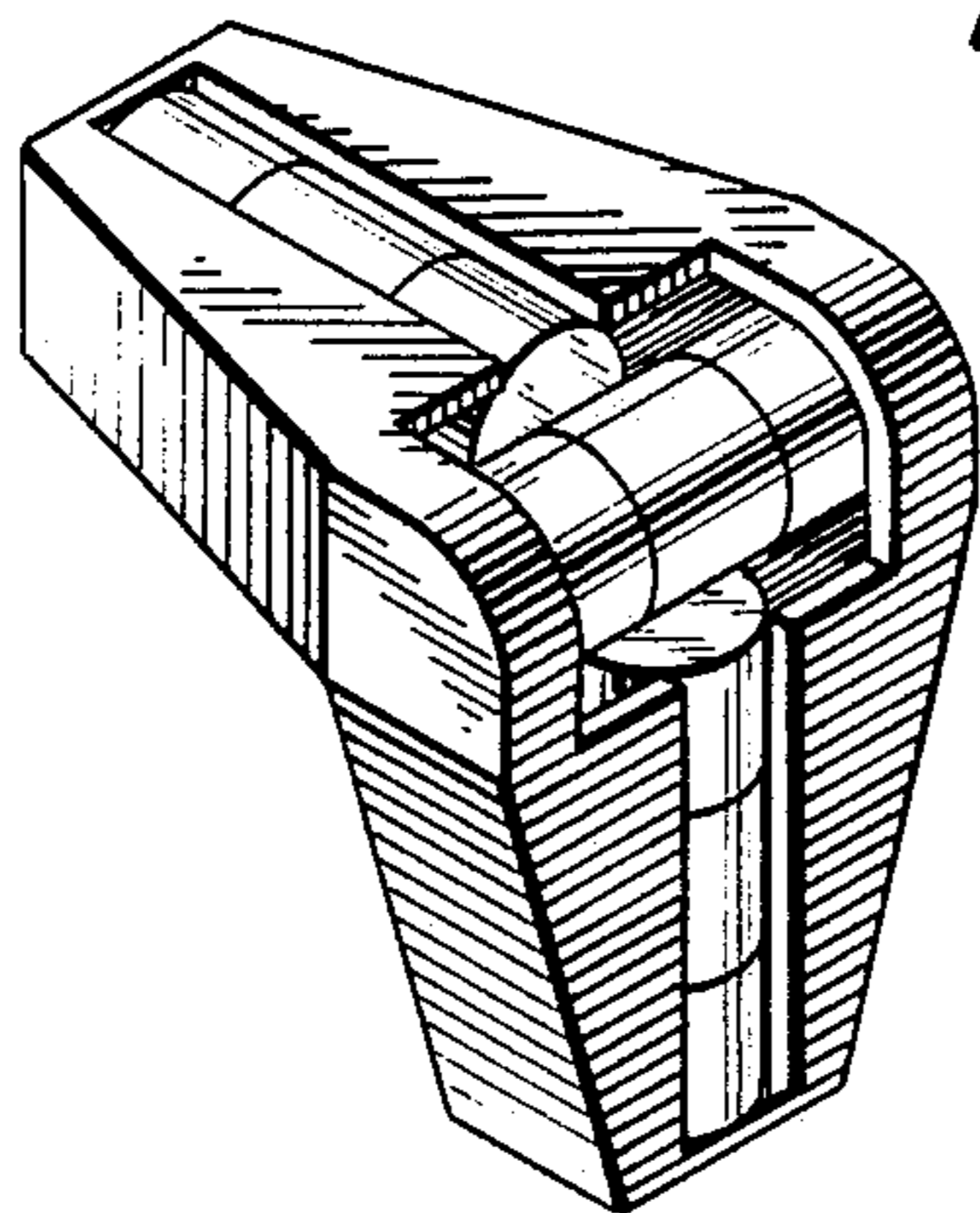


FIG. 1



B 11

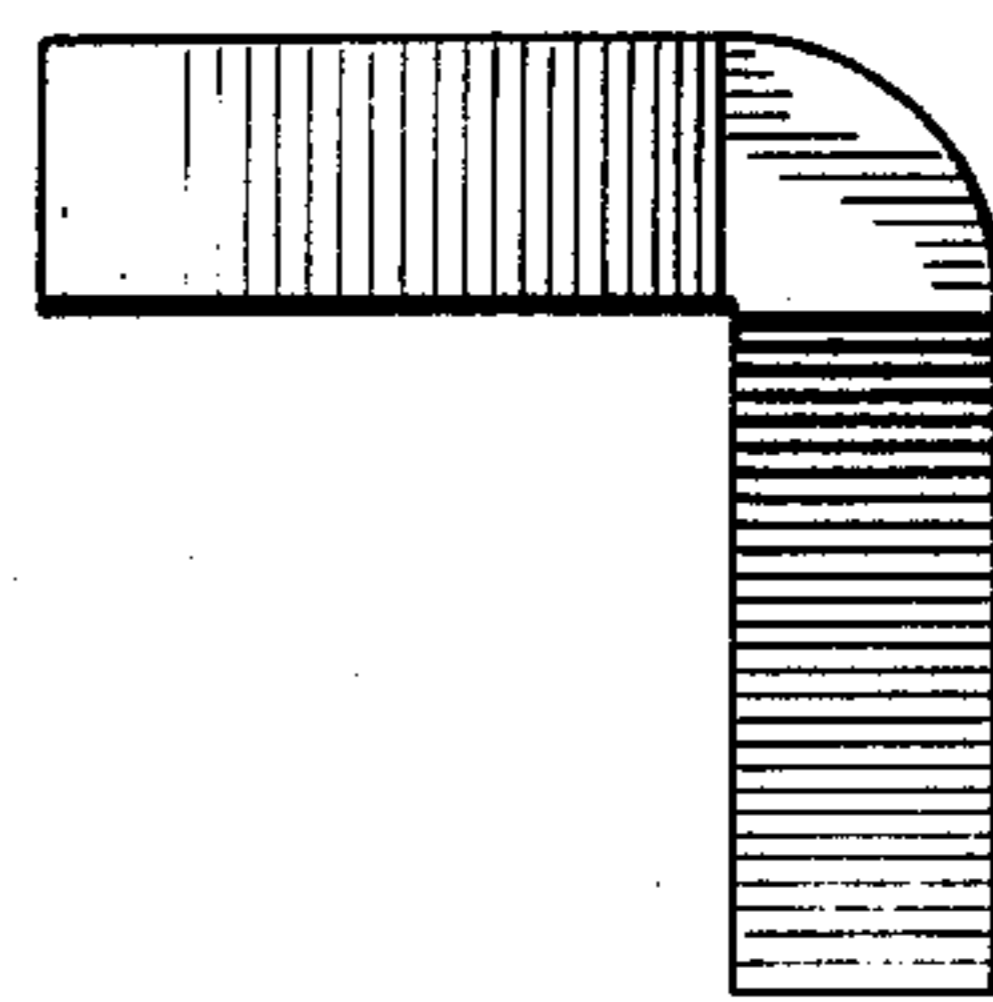


FIG. 3

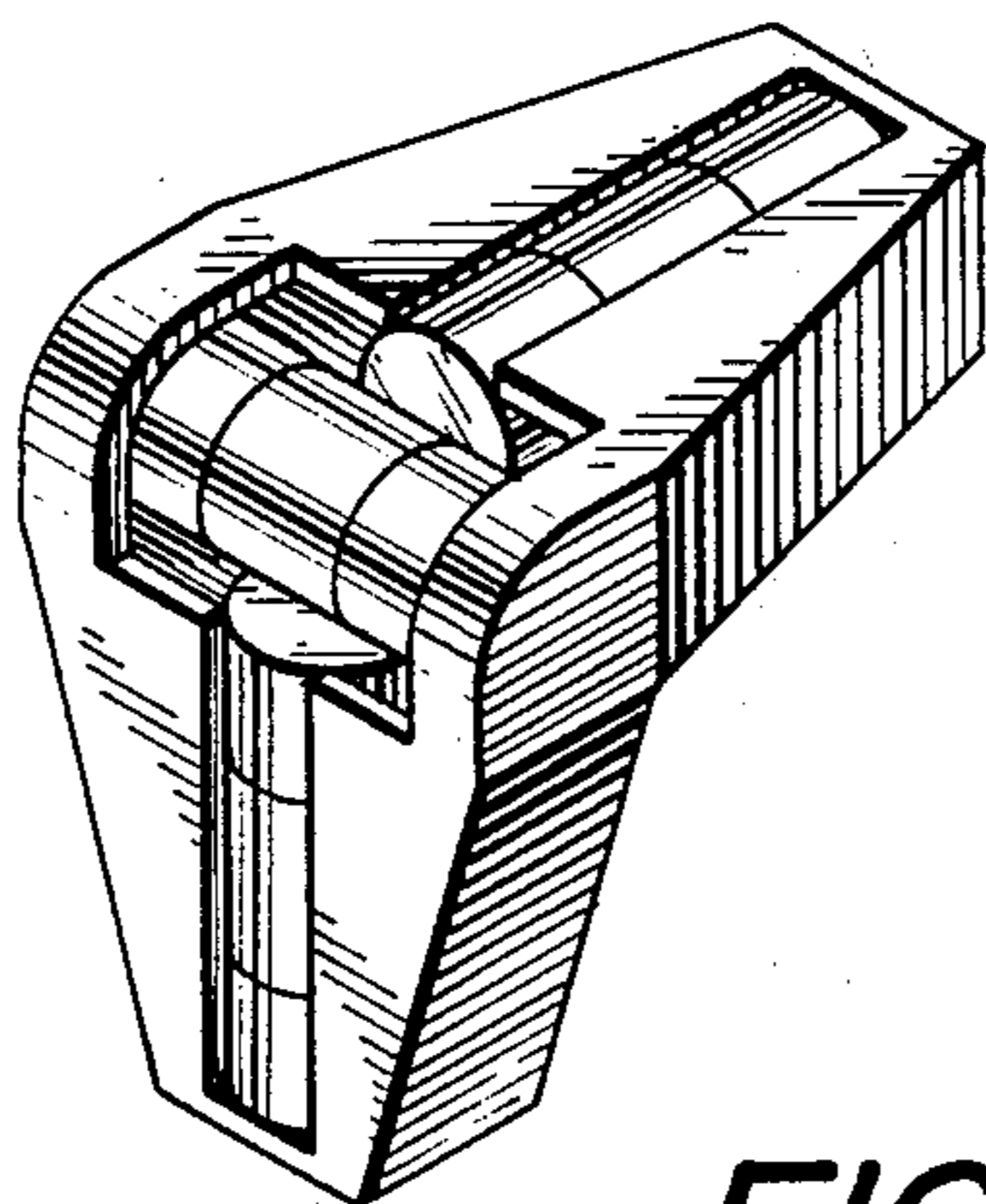


FIG. 2