

[54] SCISSORS

[75] Inventor: Kazuo Kawasaki, Fukui, Japan

[73] Assignee: Ex-Design Corporation, Fukui, Japan

[\*\*] Term: 14 Years

[21] Appl. No.: 99,987

[22] Filed: Sep. 23, 1987

[52] U.S. Cl. .... D8/57

[58] Field of Search ..... D8/57, 3-5;  
7/131, 134-135; 30/145-146, 194

[56] References Cited

U.S. PATENT DOCUMENTS

1,017,545 2/1912 Hopkins ..... 7/135 X

Primary Examiner—Bernard Ansher  
Assistant Examiner—Terry A. Pfeffer

Attorney, Agent, or Firm—Staas & Halsey

[57] CLAIM

The ornamental design for scissors, as shown and described.

DESCRIPTION

FIG. 1 is a perspective view of scissors in an open condition with finger rings rotated outwardly showing my new design;

FIG. 2 is a top plan view thereof shown in a closed position with the finger rings superposed with each other;

FIG. 3 is a front elevational view thereof;

FIG. 4 is a left side elevational view thereof;

FIG. 5 is a right side elevational view thereof;

FIG. 6 is a front elevational view thereof; and

FIG. 7 is a front elevational view thereof in an open condition with the finger rings rotated outwardly.

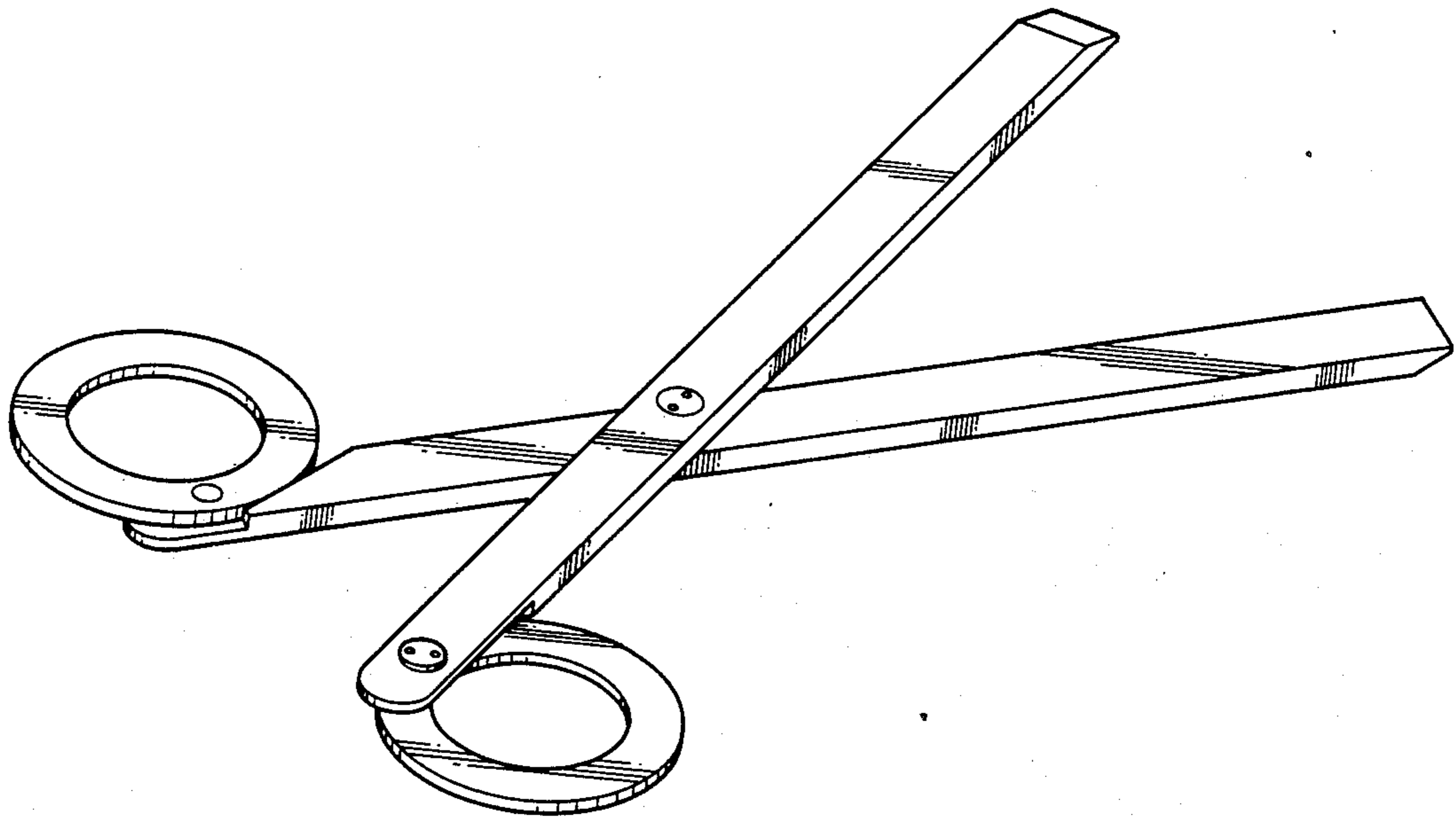


FIG. 1

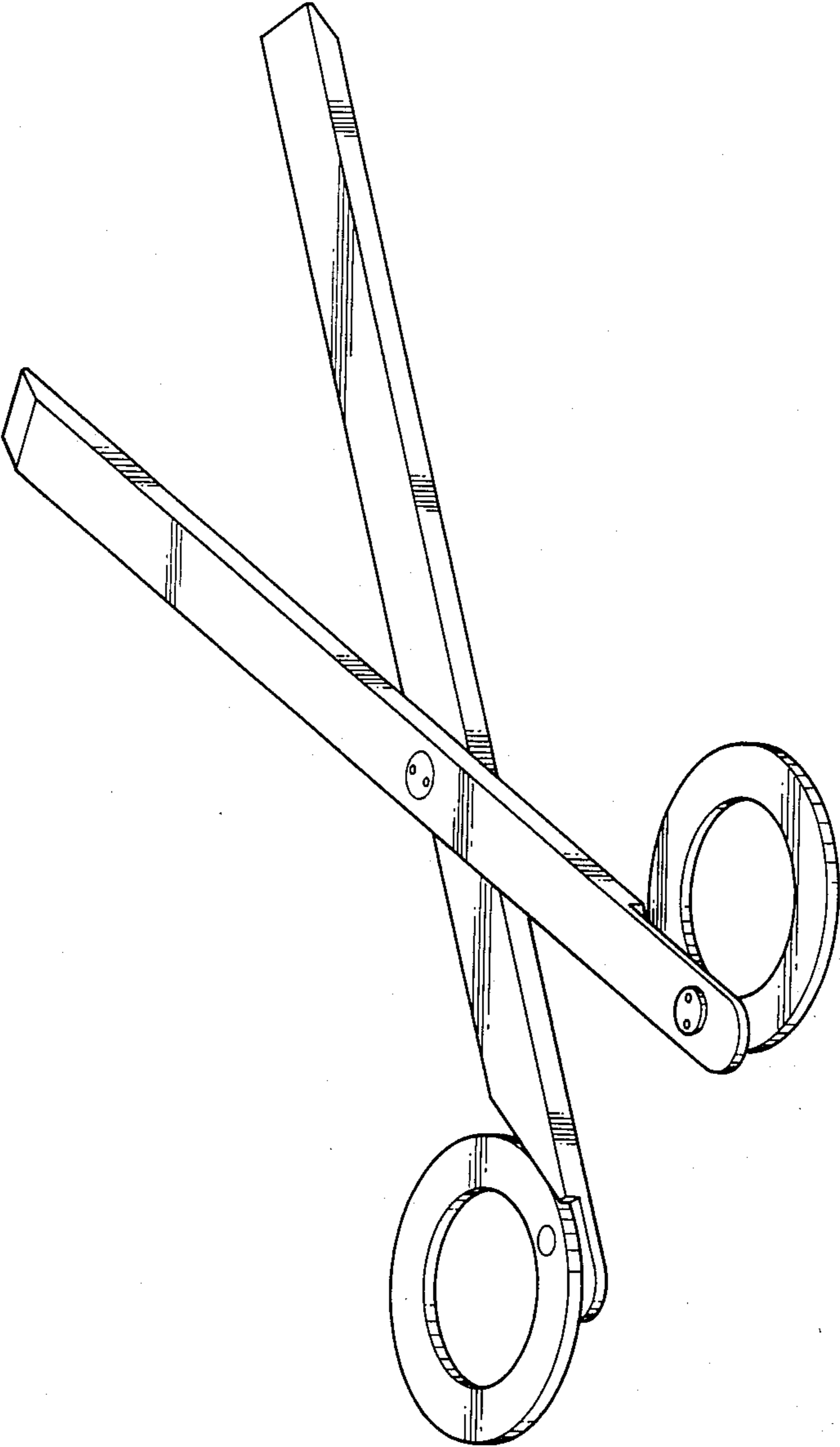


FIG. 2

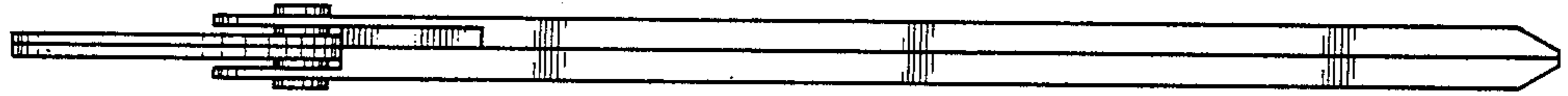


FIG. 3

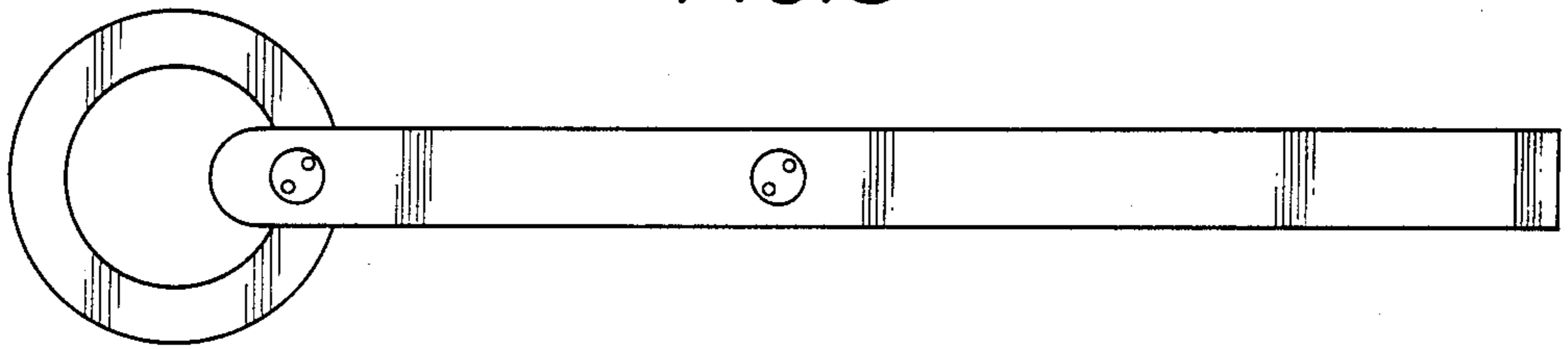


FIG. 4



FIG. 5



FIG. 6

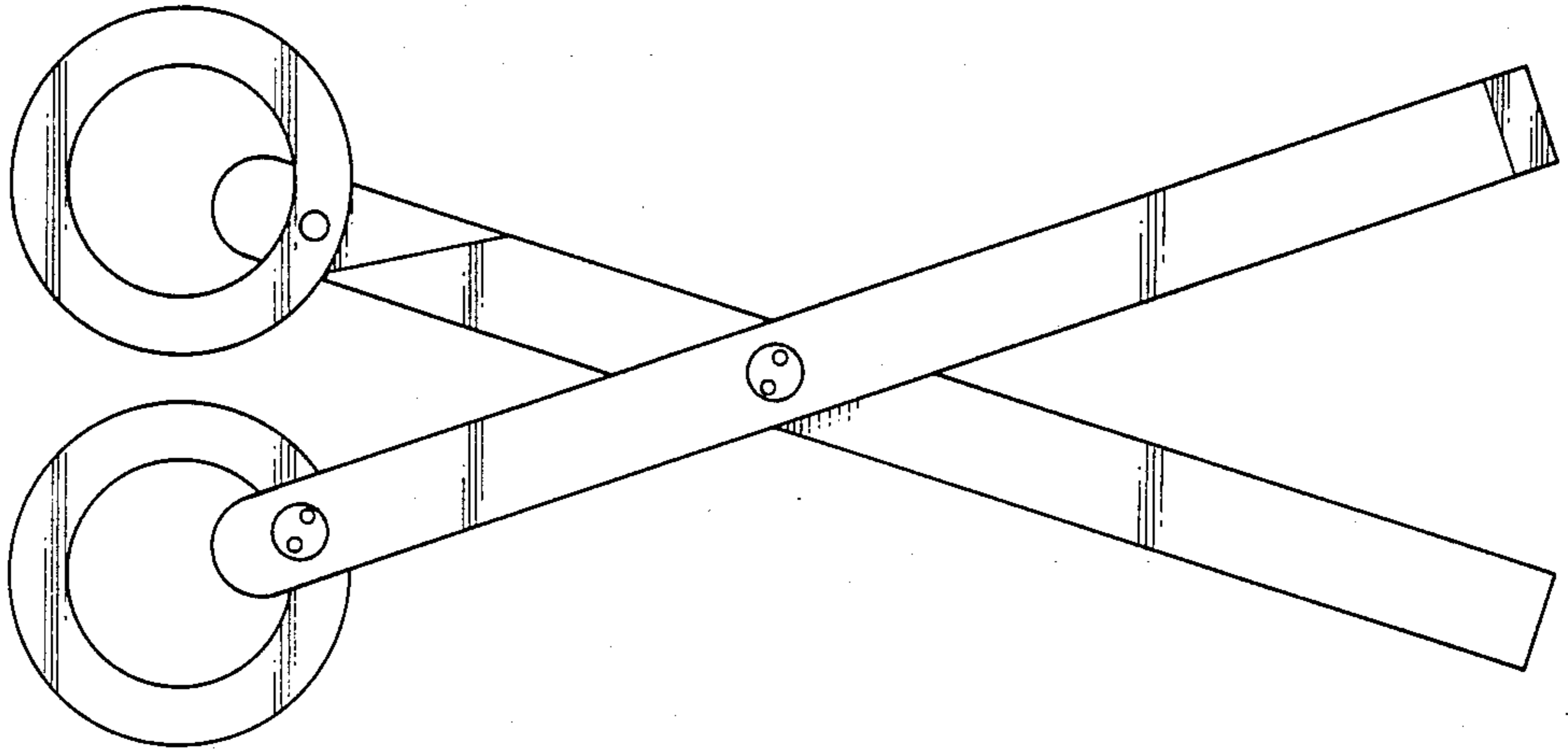


FIG. 7

