

United States Patent [19]

Arns et al.

[11] **Patent Number: Des. 305,200**

[45] **Date of Patent: ** Dec. 26, 1989**

[54] **STAPLER**

[75] **Inventors: Stefan Arns, Göteborg; Lars-Göran Rosenblad, Gränna, both of Sweden**

[73] **Assignee: Isaberg AB, Hestra, Sweden**

[**] **Term: 14 Years**

[21] **Appl. No.: 56,672**

[22] **Filed: Jun. 2, 1987**

[30] **Foreign Application Priority Data**

Dec. 17, 1986 [SE] Sweden 86-2987

[52] **U.S. Cl. D8/50**

[58] **Field of Search D8/49, 50; 227/120, 227/128**

[56]

References Cited

U.S. PATENT DOCUMENTS

4,405,073 9/1983 Salleras-Escalante D8/50 X

Primary Examiner—Bernard Ansher

Assistant Examiner—Terry A. Pfeffer

Attorney, Agent, or Firm—Shapiro and Shapiro

[57]

CLAIM

The ornamental design for a stapler, as shown.

DESCRIPTION

FIG. 1 is a top, front, left side perspective view of a stapler showing our new design; and

FIG. 2 is a bottom, rear, right side perspective view thereof.

Fig.1

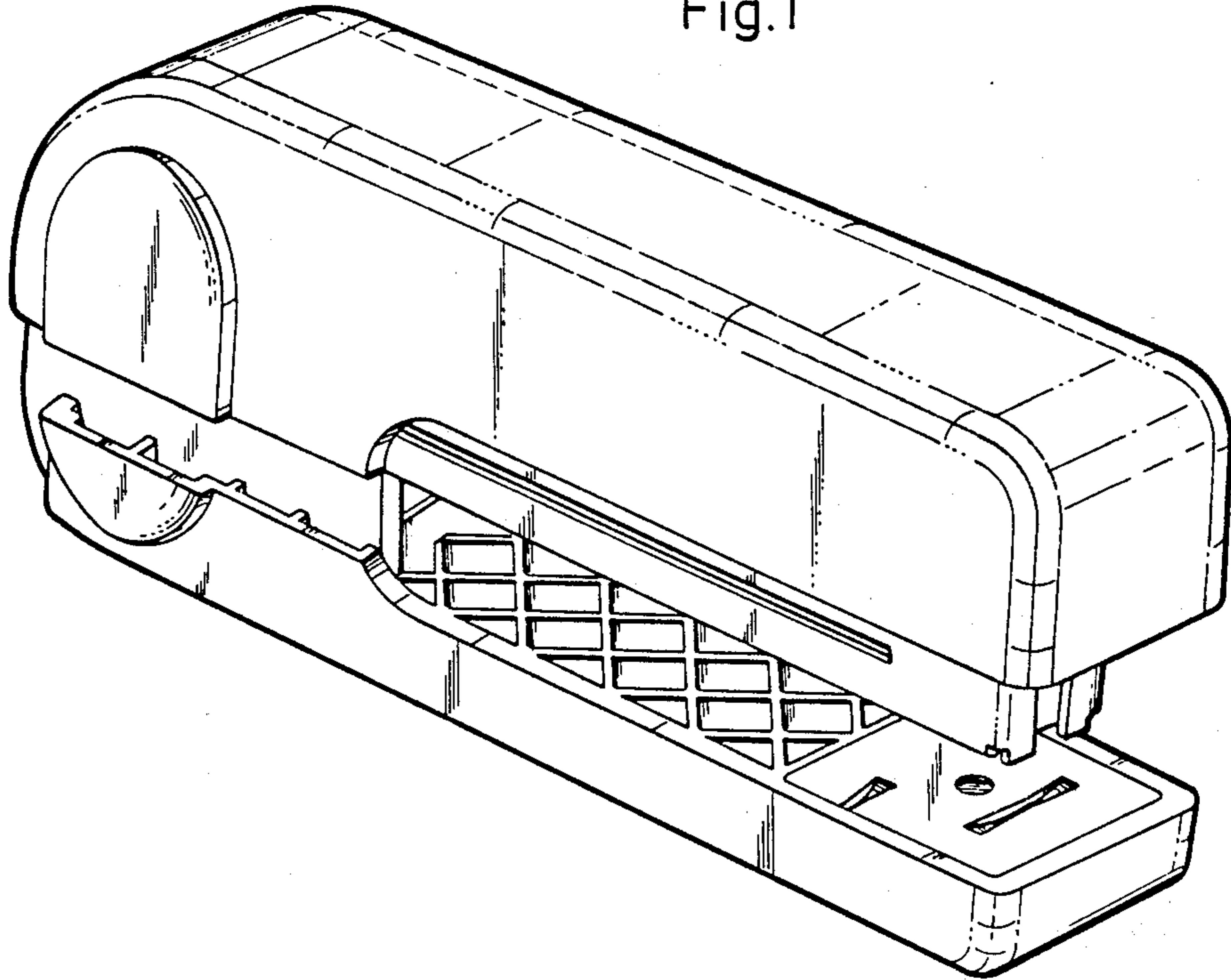


Fig.2

