

[54] HANDLE FOR AN ELECTRIC STRING TRIMMER OR THE LIKE

[75] Inventors: John O. White, Minneapolis; Floyd D. Niskanen, Golden Valley, both of Minn.

[73] Assignee: The Toro Company, Minneapolis, Minn.

[**] Term: 14 Years

[21] Appl. No.: 193,002

[22] Filed: May 12, 1988

[52] U.S. Cl. D8/8; D8/107; D8/1

[58] Field of Search D8/1, 3, 7-8, D8/68, 107; 30/388, 514, 263, 272. A, 276, 279 A, 296 R, DIG. 1, DIG. 5; 56/12.7

[56] References Cited

U.S. PATENT DOCUMENTS

- D. 250,450 12/1978 Tiedemann D8/8
- D. 251,699 5/1979 Averitt D8/8
- D. 253,086 10/1979 Hinklin et al. D8/8
- D. 256,090 7/1980 Hinklin et al. D8/8

- D. 256,769 9/1980 Irelan D8/8
- D. 262,182 12/1981 Tiedemann D8/8
- D. 264,173 5/1982 Hampel et al. D8/8
- D. 301,009 5/1989 Pilatowicz et al. D8/8
- 3,759,020 9/1973 Simmons 30/276

Primary Examiner—Wallace R. Burke
Assistant Examiner—Brian N. Vinson
Attorney, Agent, or Firm—R. Lawrence Buckley

[57] CLAIM

The ornamental design for an electric string trimmer or the like, as shown and described.

DESCRIPTION

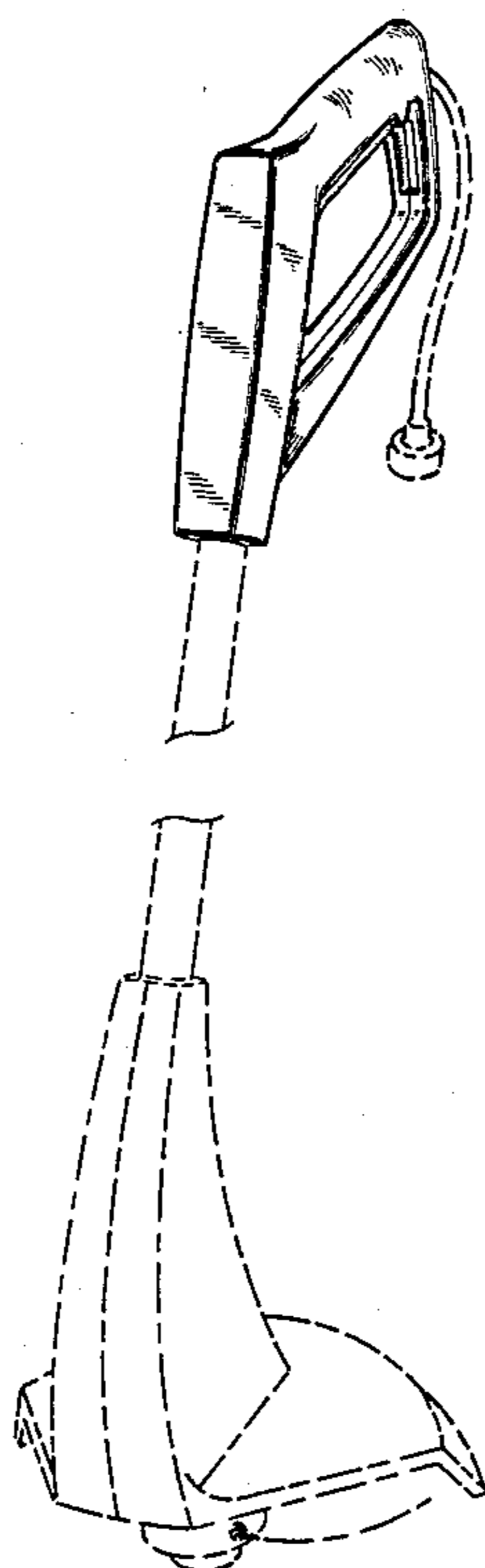
FIG. 1 is a perspective view of a handle for an electric string trimmer or the like showing our new design, the broken-line showing of the cord, shaft and trimmer head being for illustrative purposes only and forming no part of the claimed design;

FIG. 2 is an enlarged left side elevational view thereof; FIG. 3 is an enlarged right side elevational view thereof;

FIG. 4 is an enlarged top plan view thereof;

FIG. 5 is an enlarged bottom plan view thereof;

FIG. 6 is an enlarged rear elevational view thereof; and FIG. 7 is an enlarged front elevational view thereof.



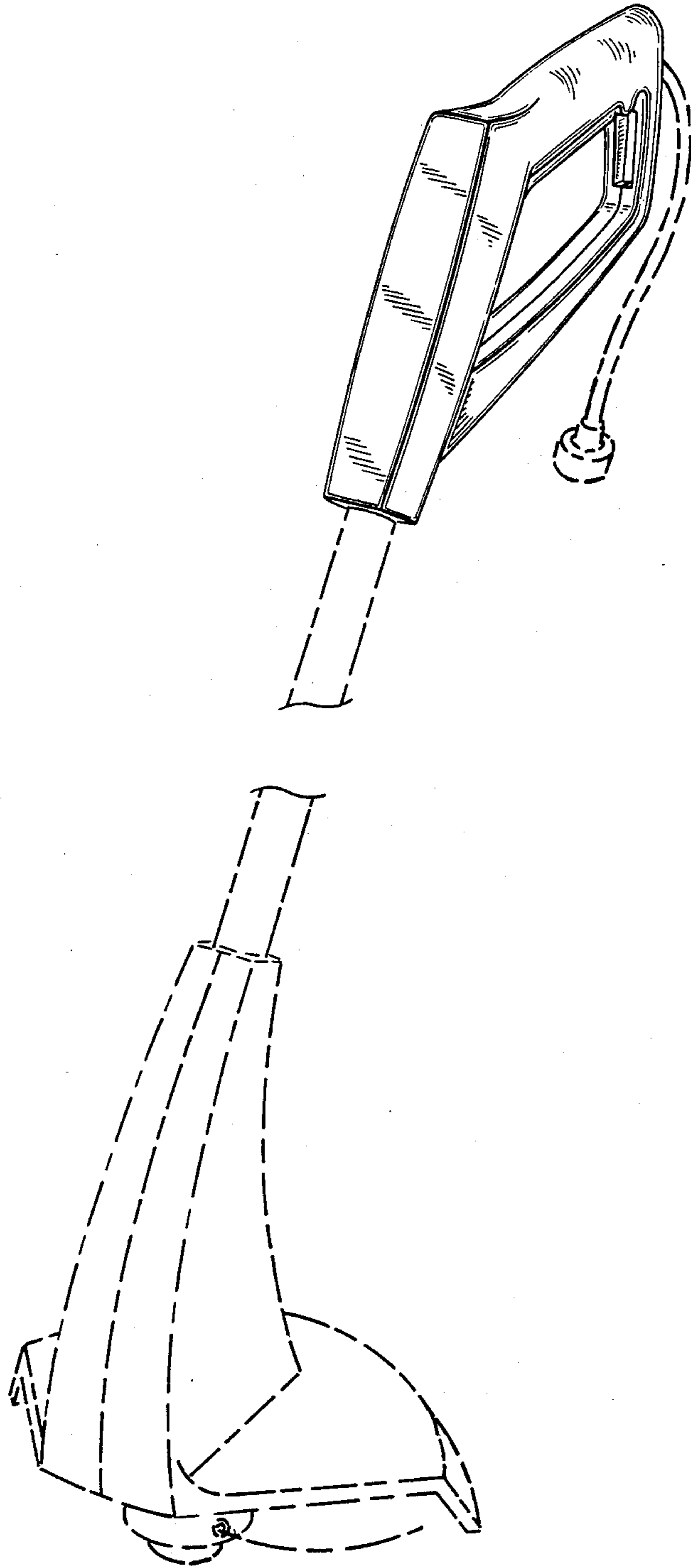


FIG. 1

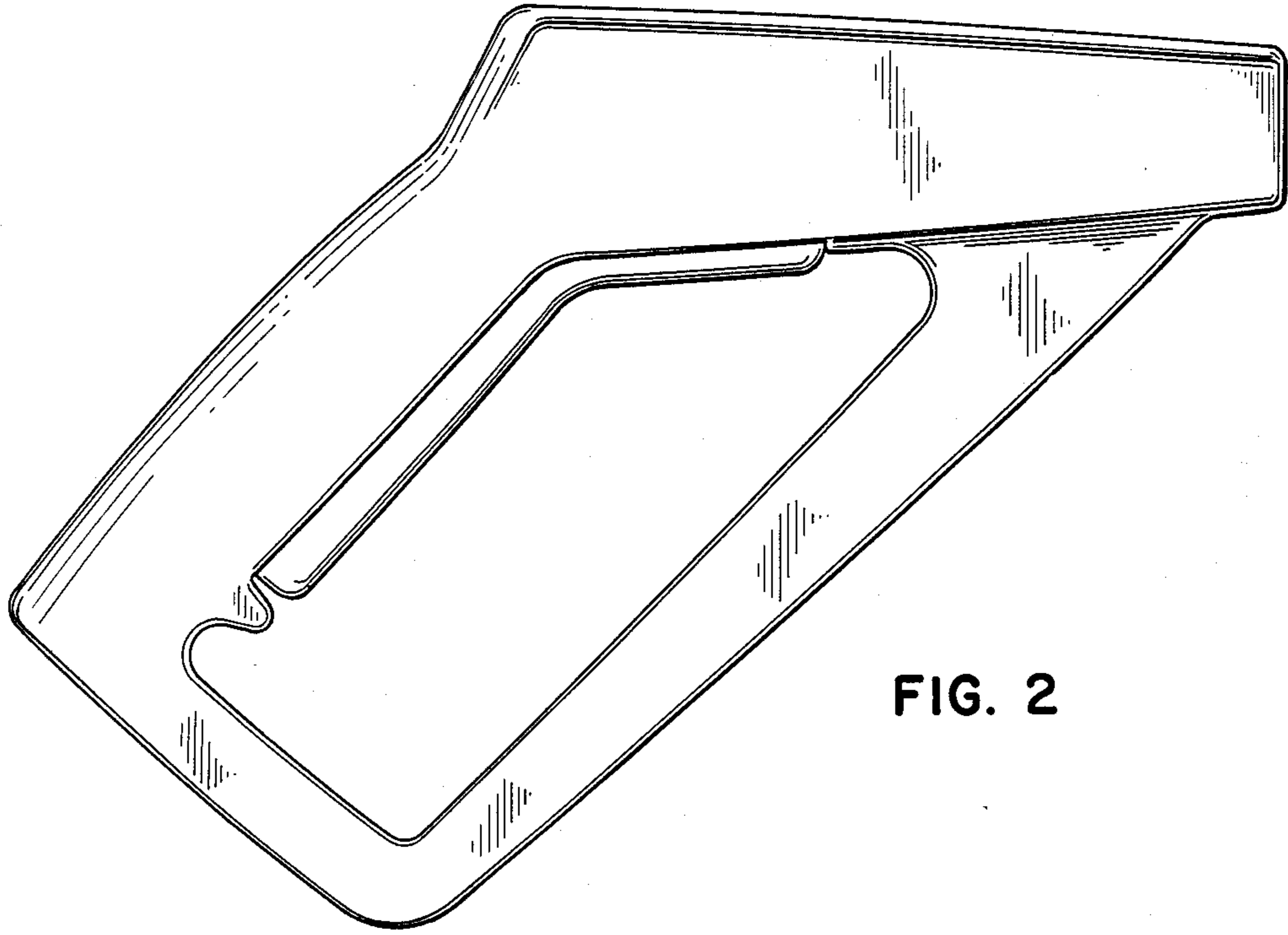


FIG. 2

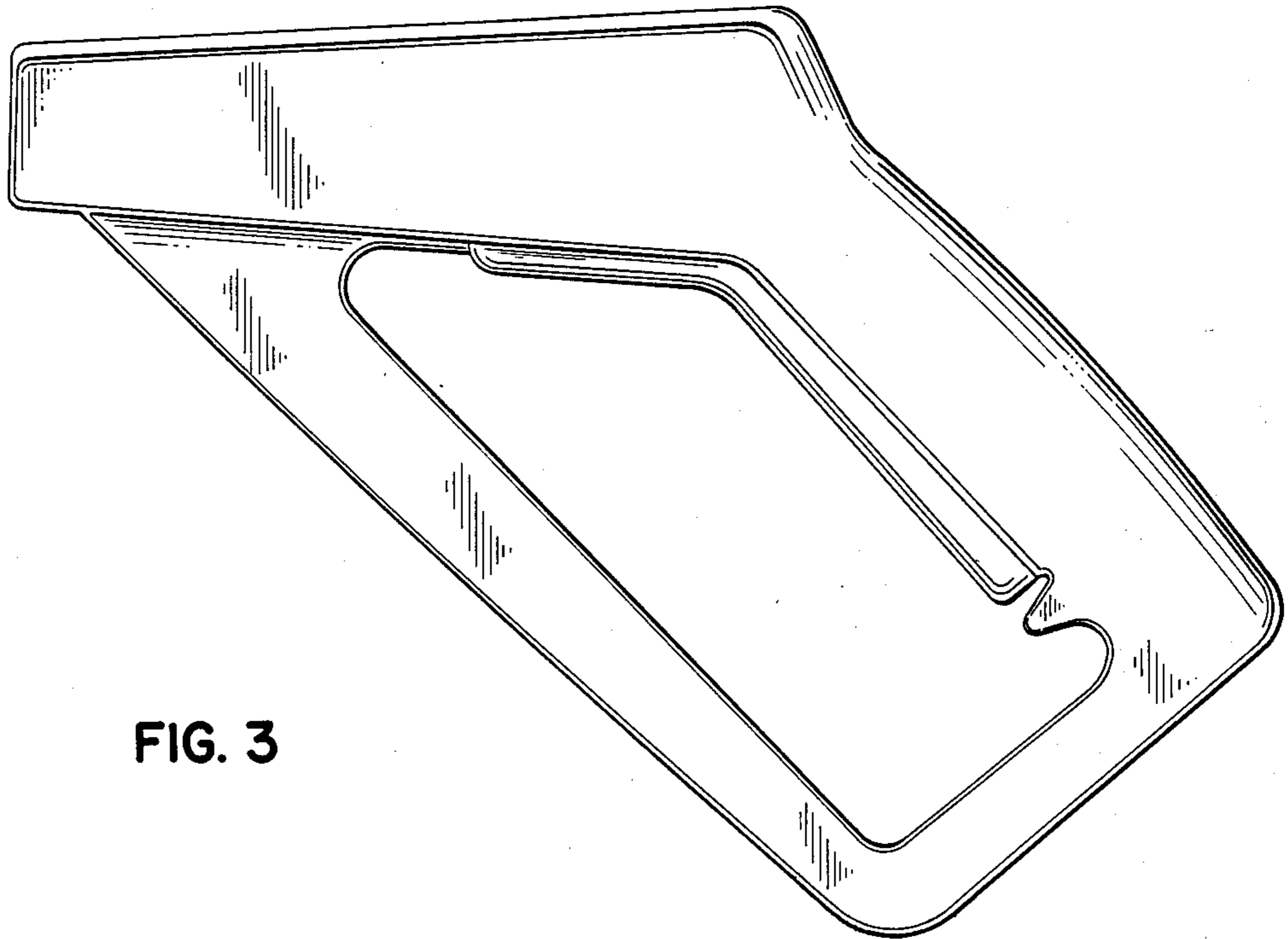


FIG. 3

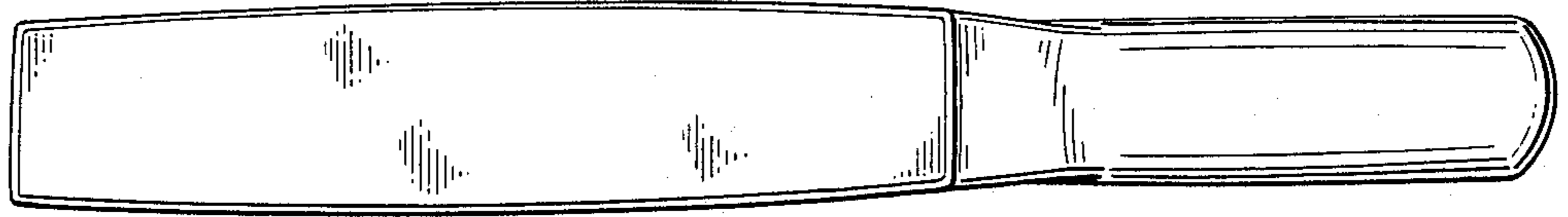


FIG. 4

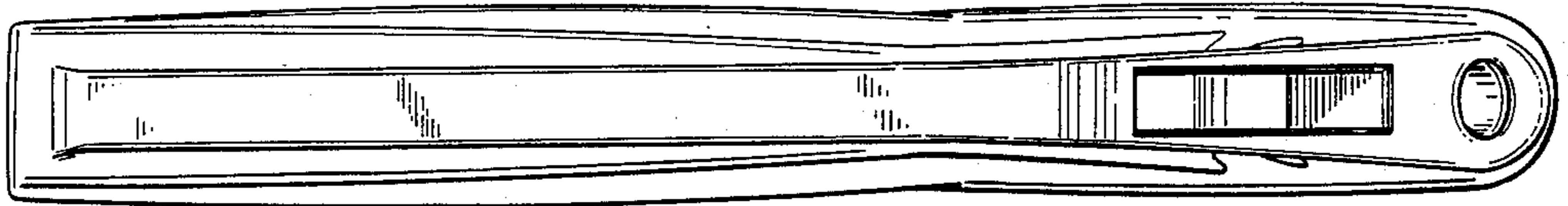


FIG. 5

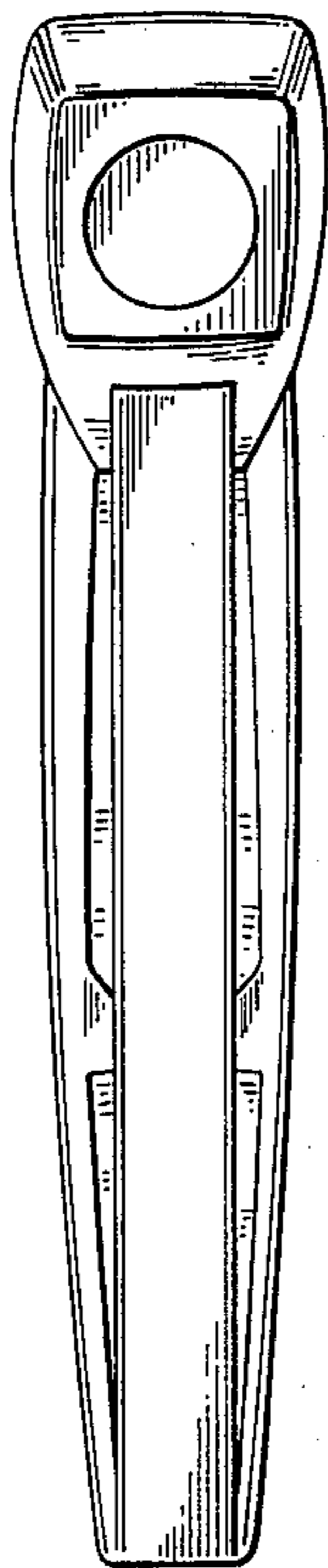


FIG. 6

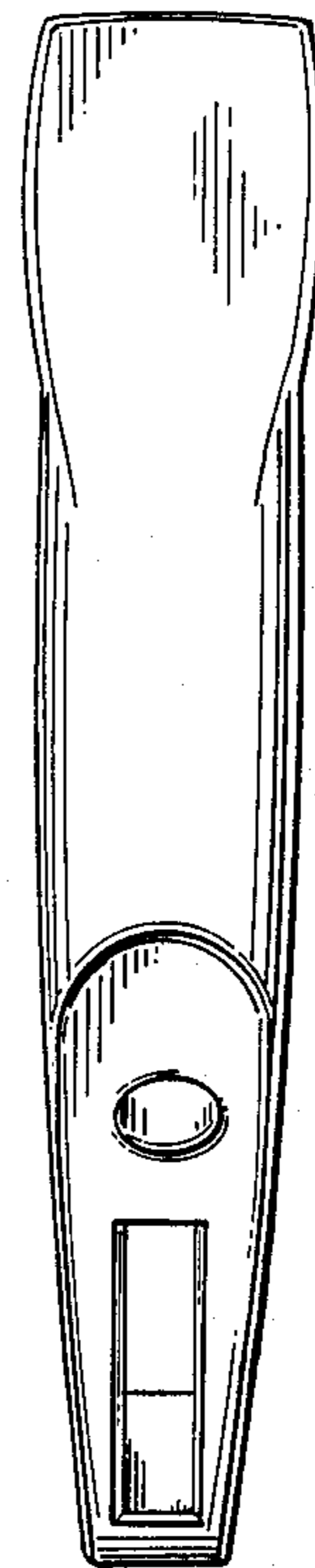


FIG. 7