

[54] **TORTILLA WARMER**

[76] **Inventor: Oscar R. Valdes, 1241 Fifth Ave.
#29B, Chula Vista, Calif. 92010**

[**] **Term: 14 Years**

[21] **Appl. No.: 944,612**

[22] **Filed: Dec. 22, 1986**

[52] **U.S. Cl. D7/354; D7/312;
D7/321**

[58] **Field of Search D7/354, 360, 16, 18,
D7/361, 391, 321, 322, 312, 320, 78, 17, 79;
126/376, 378**

[56] **References Cited**

U.S. PATENT DOCUMENTS

D. 160,070	9/1950	Carr	D7/360
D. 180,049	4/1957	Tupper	D7/321
D. 221,096	7/1971	Tevolitz et al.	D7/360
D. 228,114	8/1973	La Rosa	D7/17
D. 248,363	7/1978	Rinaldi	D7/354

D. 250,385 11/1978 Babros et al. D7/360

FOREIGN PATENT DOCUMENTS

44199 7/1908 Switzerland 126/378
23988 of 1906 United Kingdom 126/378

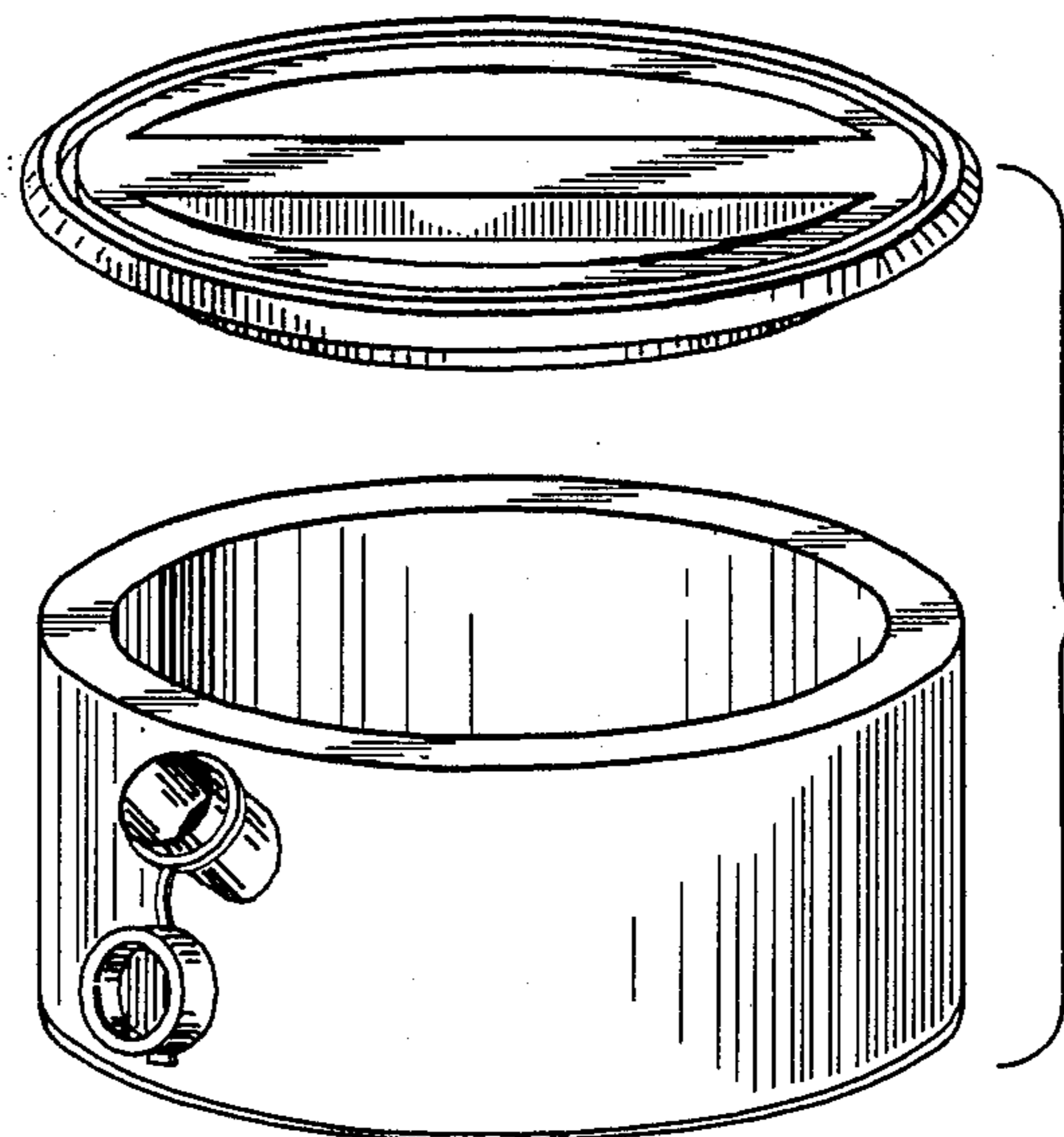
Primary Examiner—Winifred E. Herrmann
Attorney, Agent, or Firm—Baker, Maxham, Jester &
Meador

[57] **CLAIM**

The ornamental design for a tortilla warmer, as shown and described.

DESCRIPTION

FIG. 1 is an exploded top, front perspective view of a tortilla warmer showing my new design;
FIG. 2 is a top plan view thereof;
FIG. 3 is a right side elevational view thereof; the side opposite is a mirror image thereof;
FIG. 4 is a bottom plan view thereof; and
FIG. 5 is an exploded sectional view thereof taken on line 5—5 of FIG. 2.



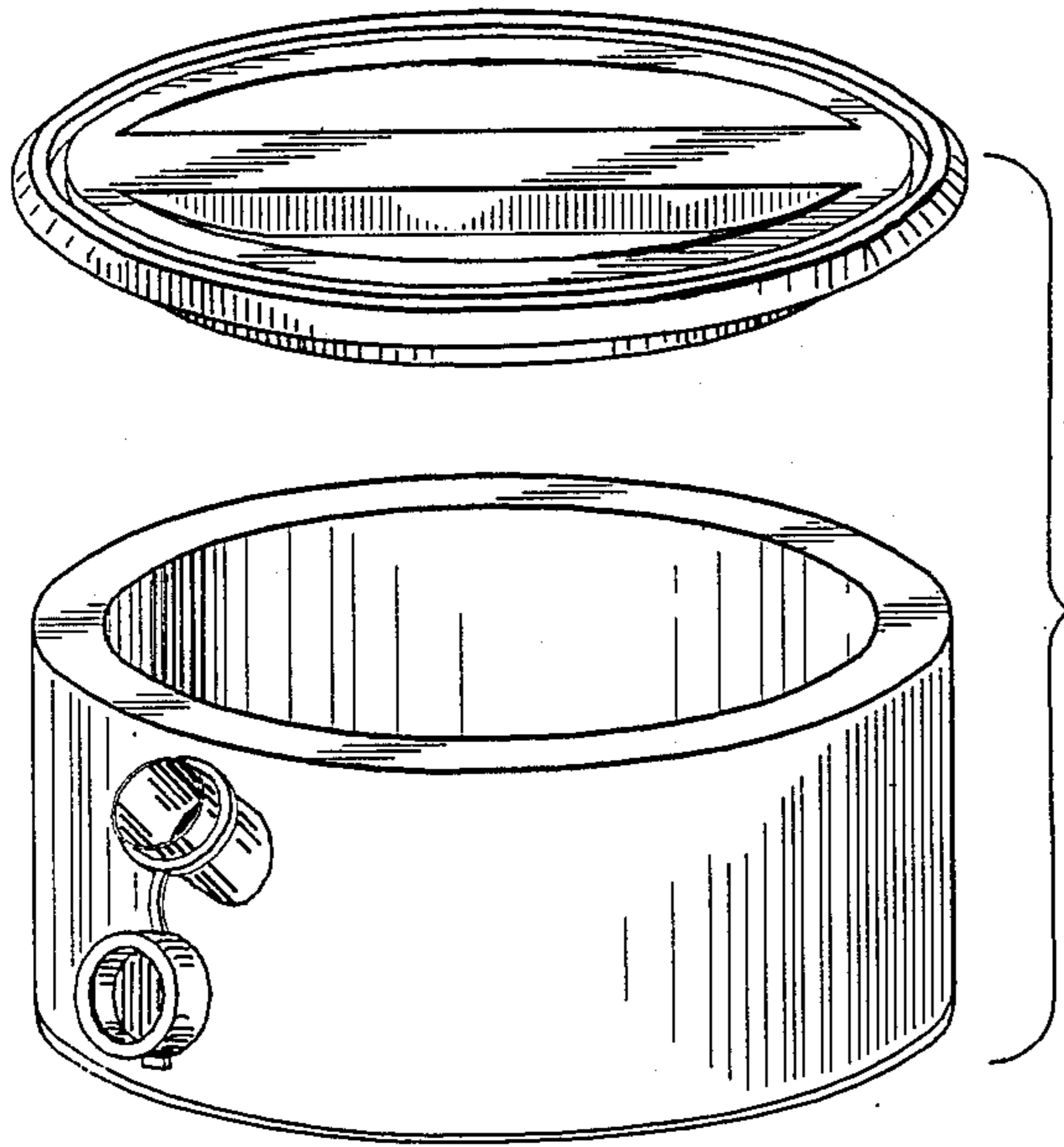


FIG. 1

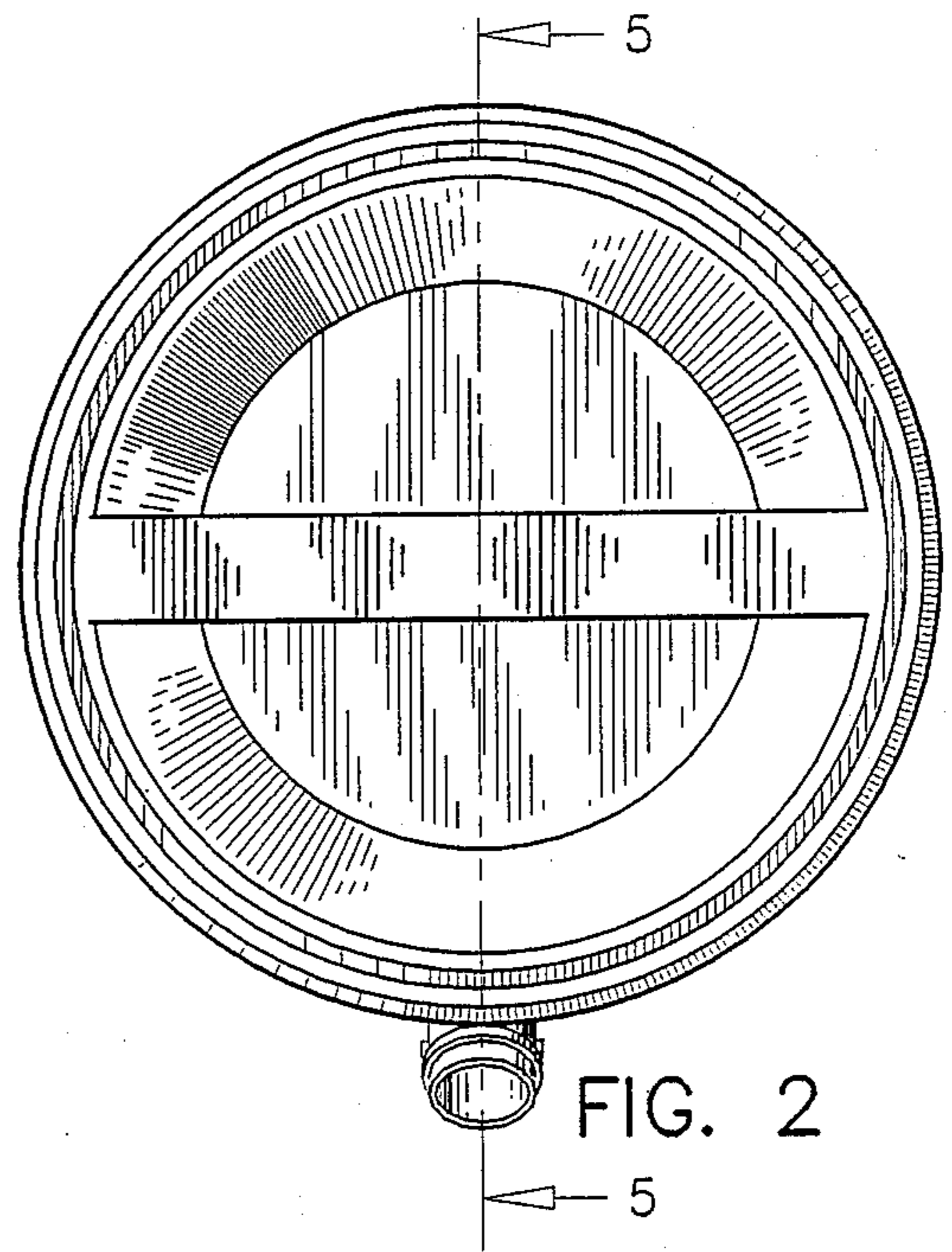


FIG. 2

CA

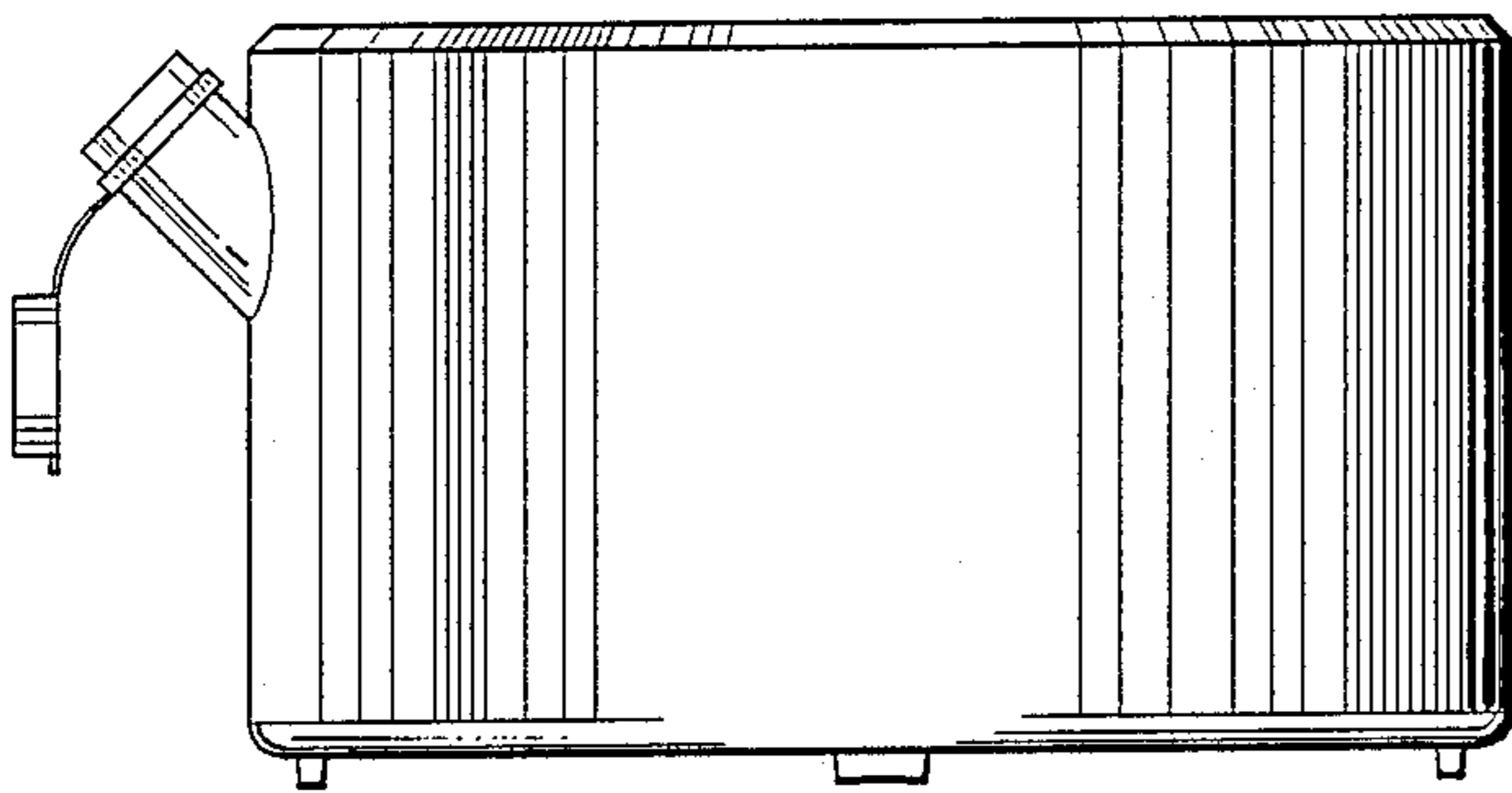


FIG. 3

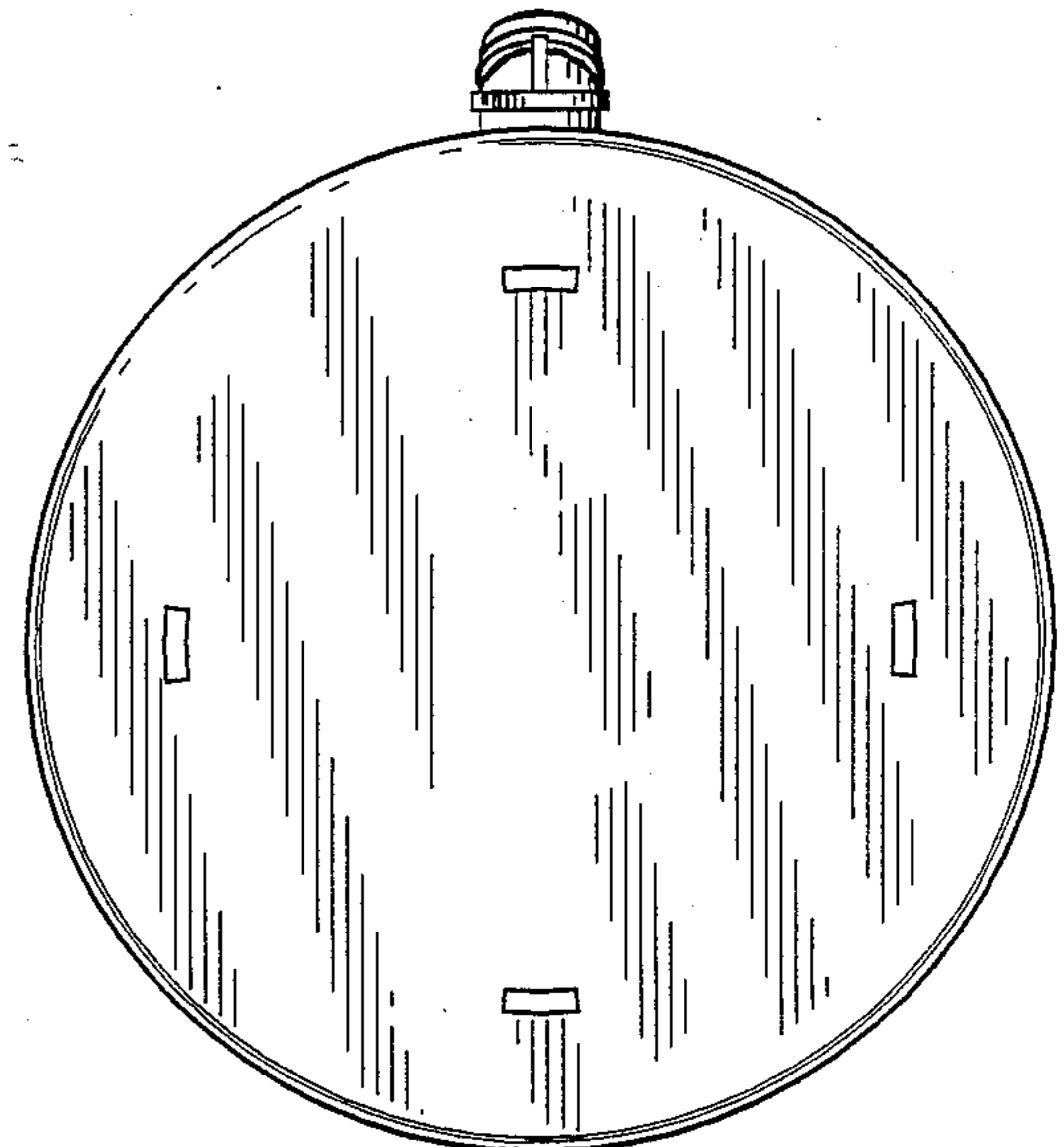


FIG. 4

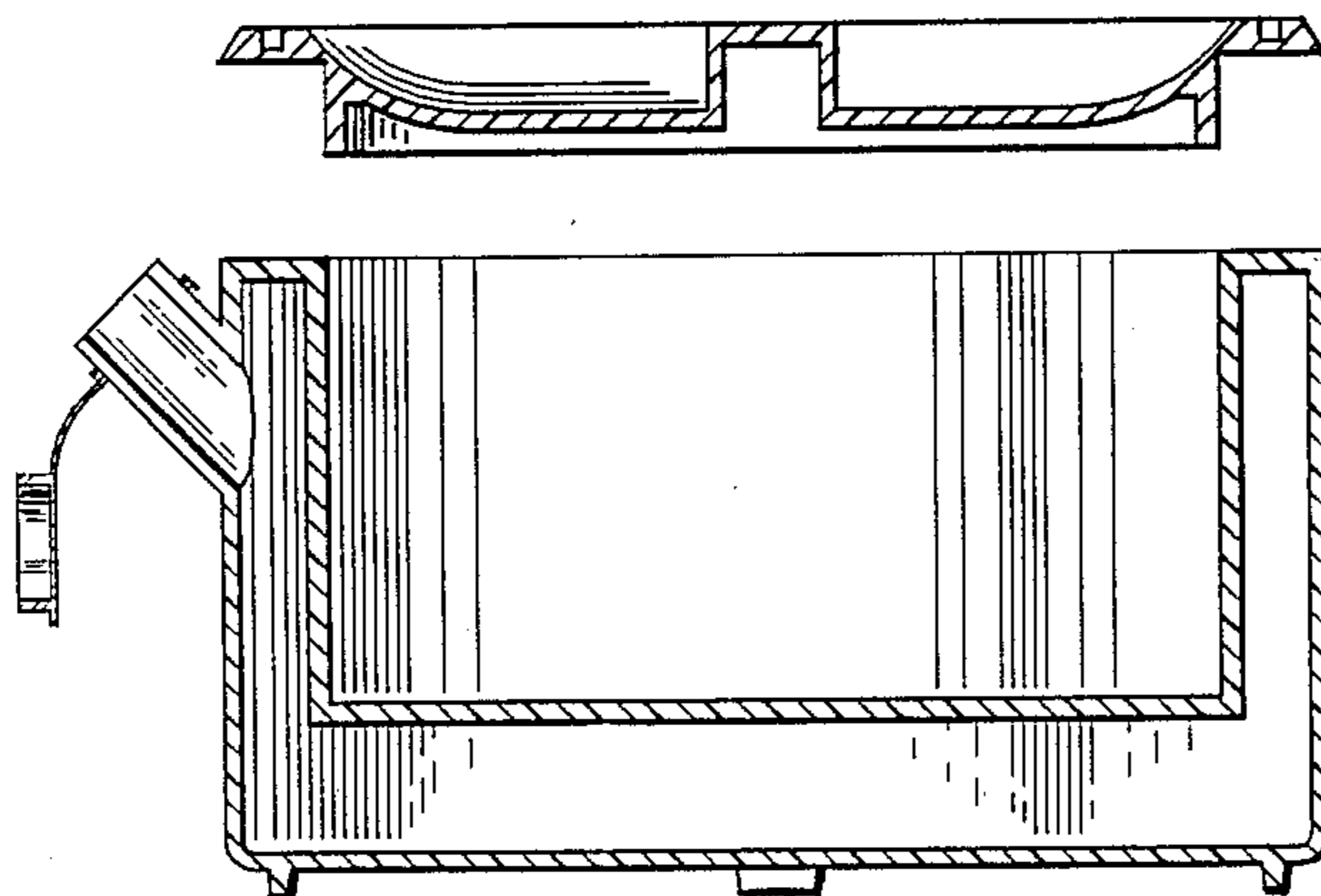


FIG. 5