

[54] CUP

[76] Inventor: Jean-Jacques Durand, LaBute, 62510, Arques, France

[**] Term: 14 Years

[21] Appl. No.: 101,560

[22] Filed: Sep. 28, 1987

[52] U.S. Cl. D7/9; D7/1

[58] Field of Search D7/9, 10, 1, 14, 78, D7/70, 319; D9/398, 429

[56] References Cited

U.S. PATENT DOCUMENTS

D. 9,211	4/1876	Oesterling et al.	D7/9
D. 286,966	12/1986	Ritman	D7/9
D. 291,757	9/1987	Ritman	D7/1
3,373,917	3/1968	Cox	D7/9 X

OTHER PUBLICATIONS

Bloomington's Insider, Rosenthal Studio-Line, "Polygon White--"Tapio Wirkkala Designer, Cup shown. *Industrial Design*, May/June 1985, p. 66, Tapio Wirkkala's "Century Range" Coffee Cup (1980)--Handle shown on Cup with Knob Feet.

Monongah Glass Co., catalog No. 6, Apr. 1, 1920, p. 59, Beer Mug #1548, 12 oz., top right.

Primary Examiner--Winifred E. Herrmann
 Attorney, Agent, or Firm--Thomas A. Lennox

[57] CLAIM

The ornamental design for a cup, as shown and described.

DESCRIPTION

FIG. 1 is a side elevational view of a cup showing my new design;
 FIG. 2 is a top plan view thereof;
 FIG. 3 is a cross-sectional view thereof taken along line 3--3 of FIG. 2, looking in the direction of the arrows; and
 FIG. 4 is a bottom plan view thereof.

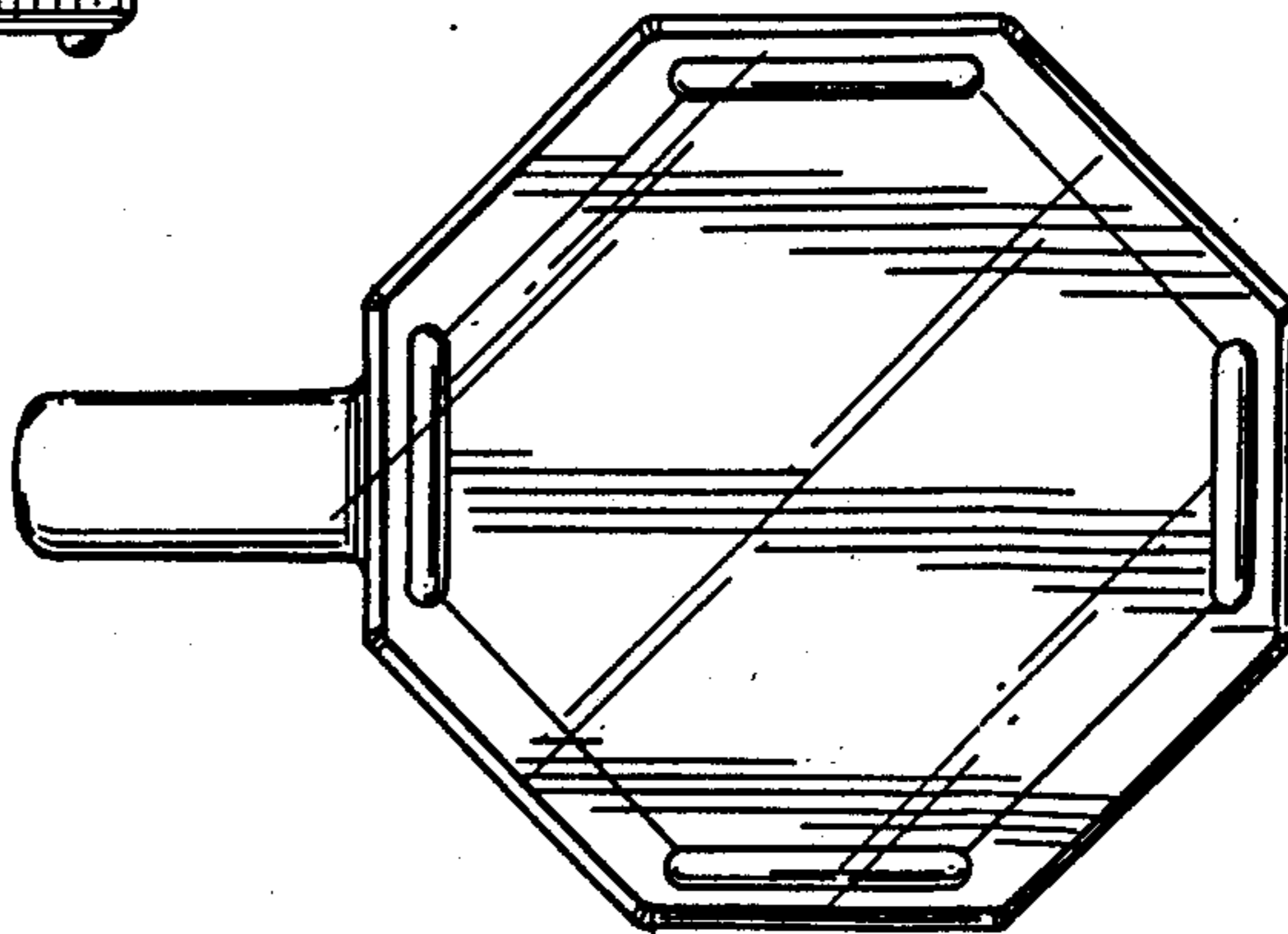
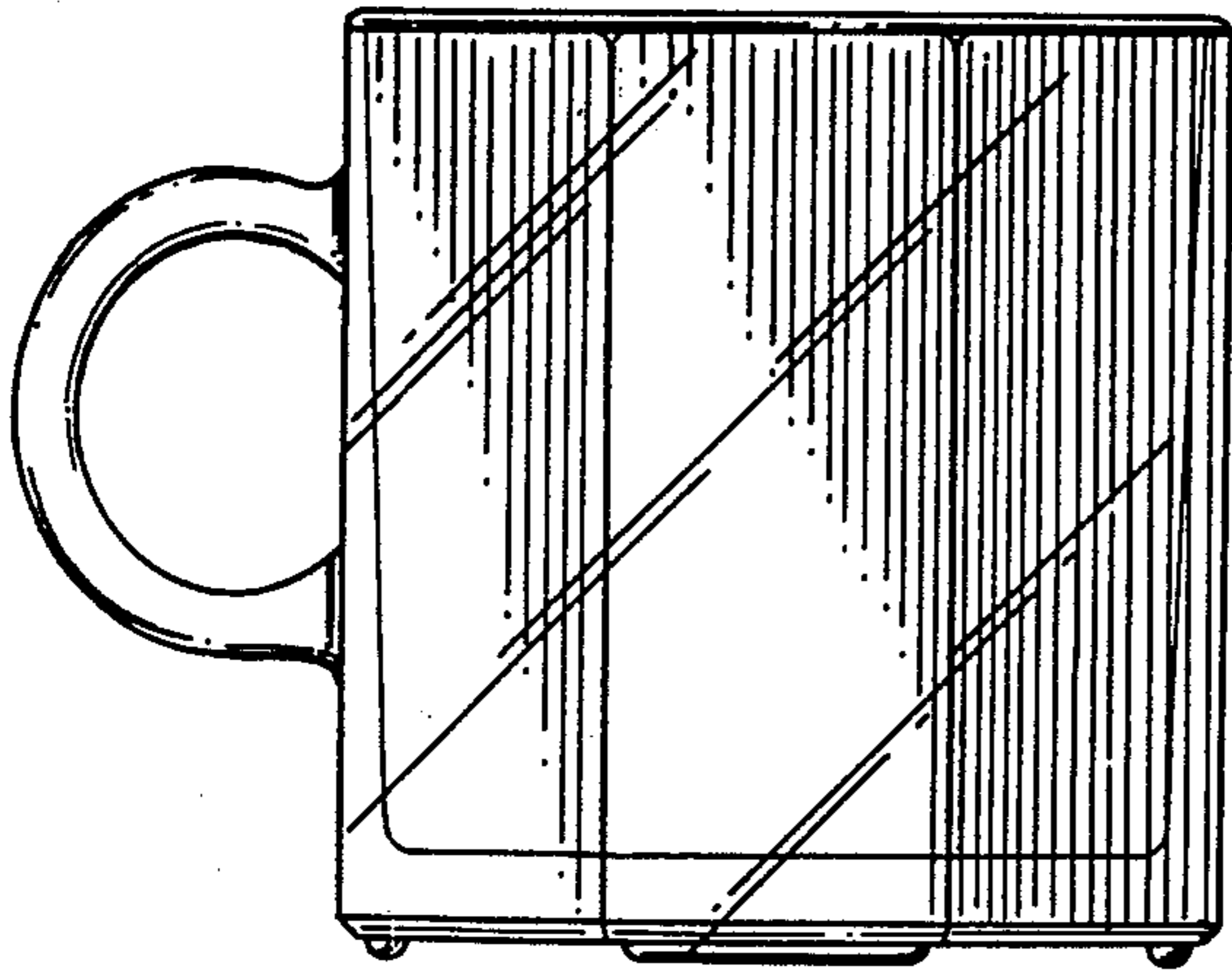


FIG. 3.

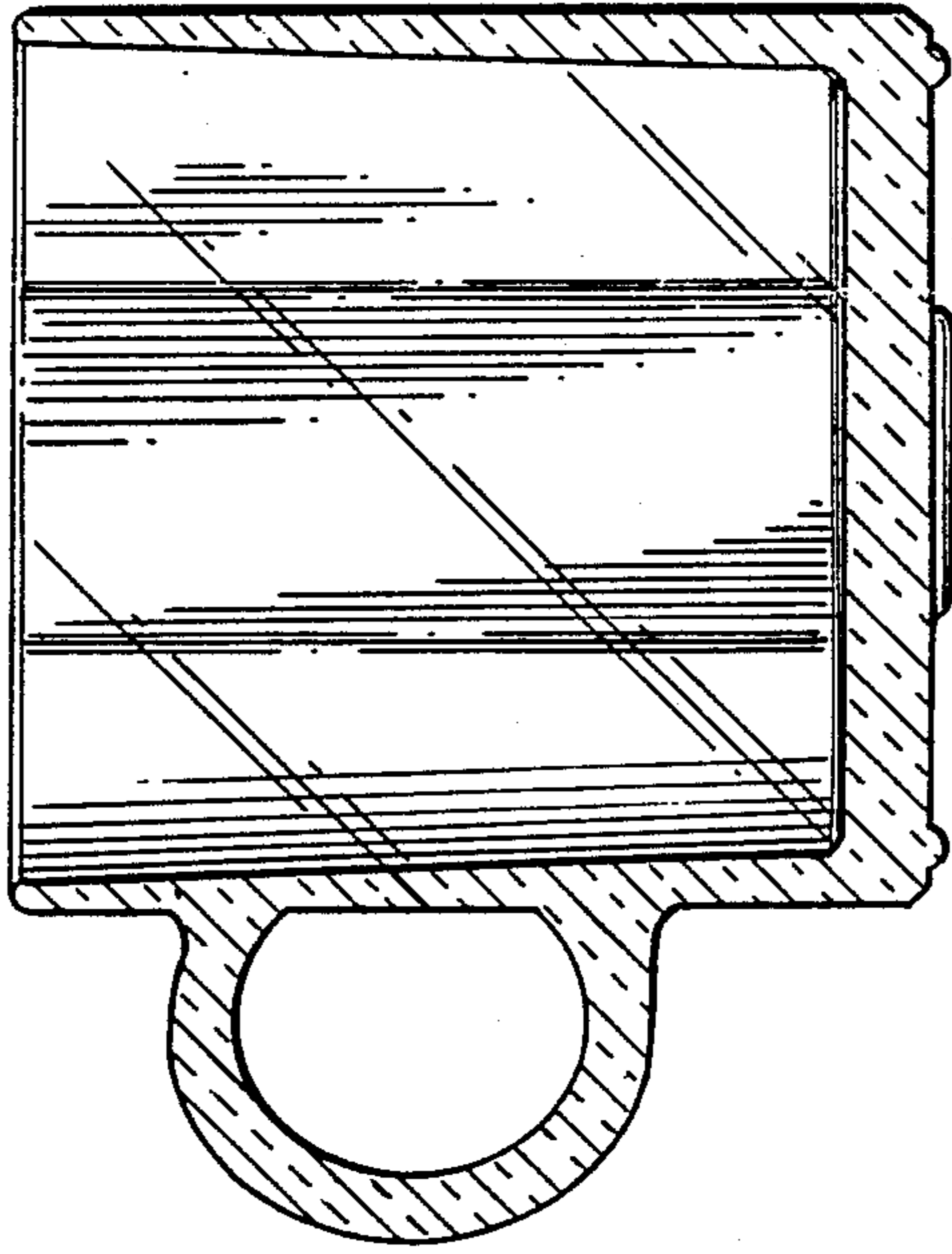


FIG. 4.

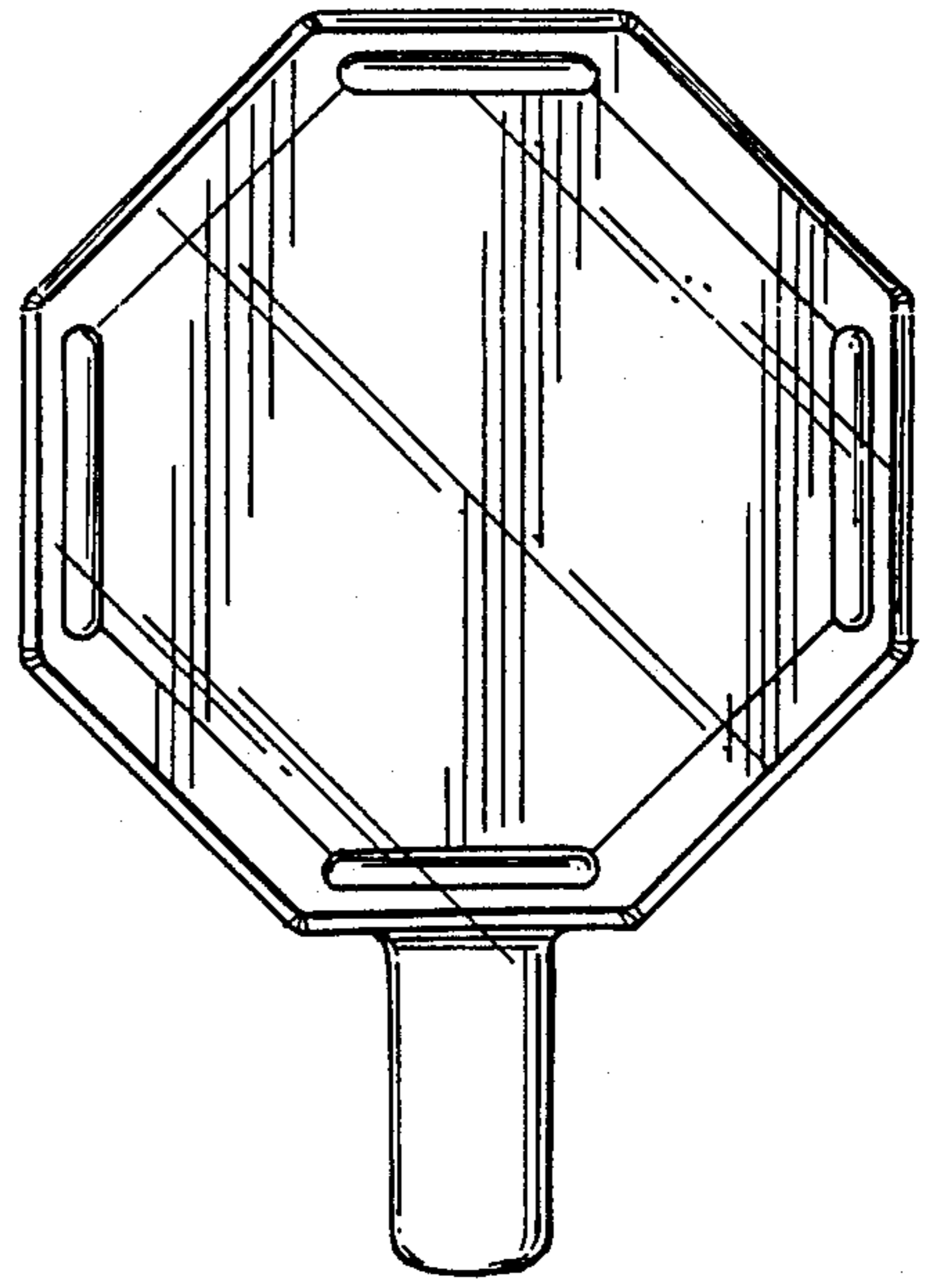


FIG. 1.

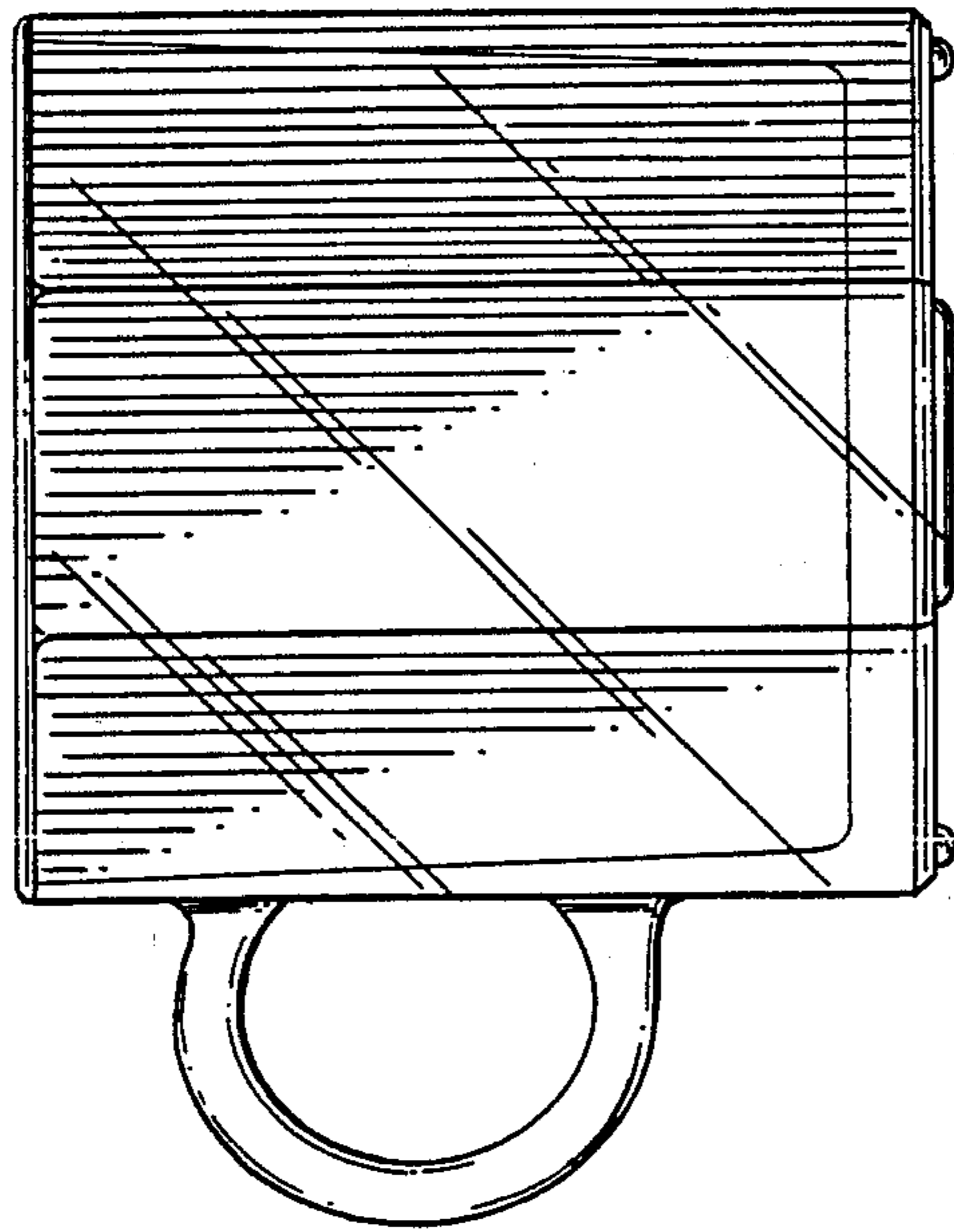
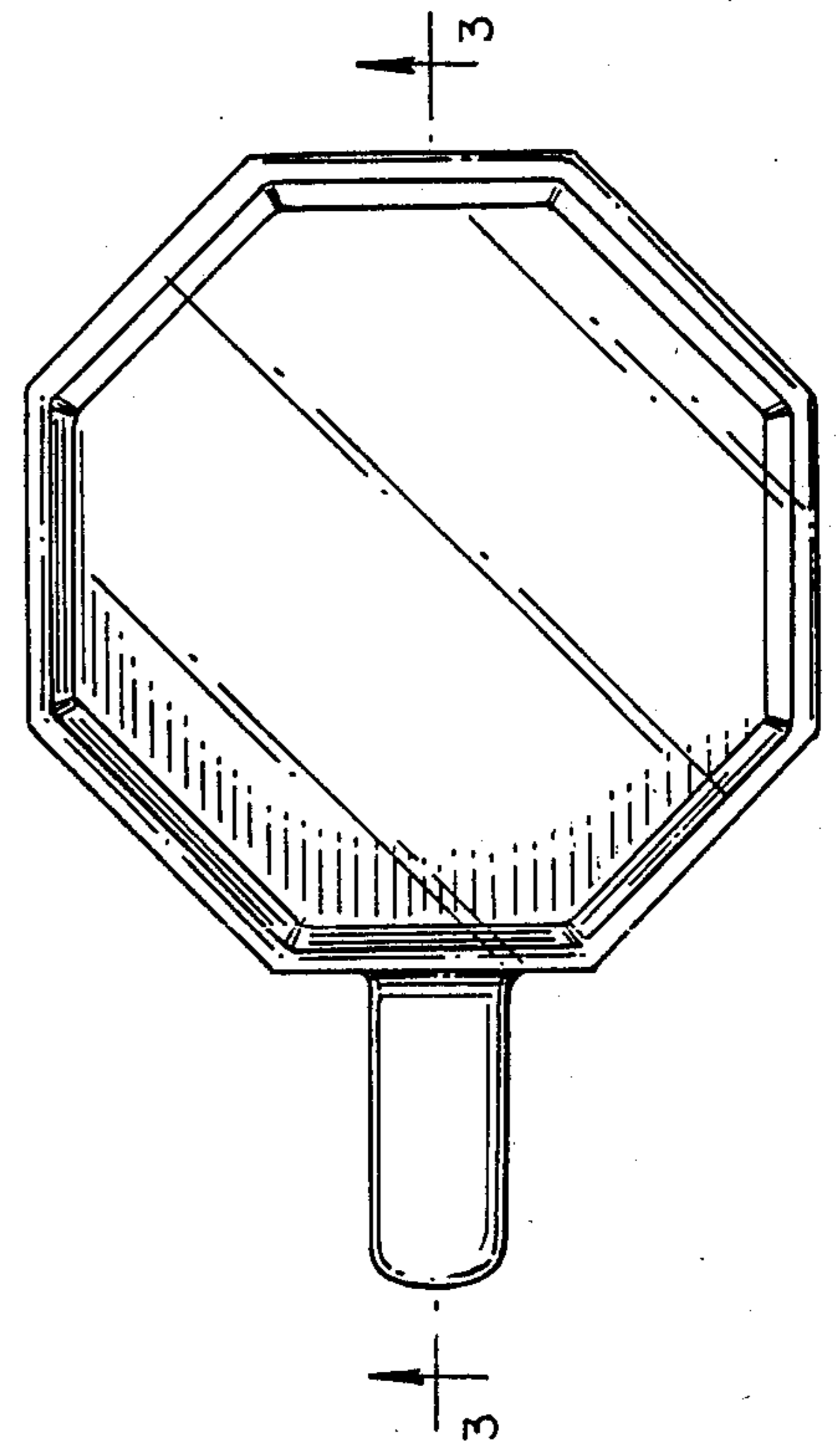


FIG. 2.



104