

[54] DISPLAY SHELF

[75] Inventors: Russell K. Winter, Crownsville; Thomas D. Harvey, Rockville; Nedim Savas, Bethesda; Richard S. Kain, Woodbine, all of Md.

[73] Assignee: Russell William, Ltd., Odenton, Md.

[**] Term: 14 Years

[21] Appl. No.: 97,916

[22] Filed: Sep. 17, 1987

[52] U.S. Cl. D6/567

[58] Field of Search D6/512, 553, 567, 574; 108/149, 152; 211/13, 49.1, 50, 70.1, 86-90, 134-135

[56] References Cited

U.S. PATENT DOCUMENTS

- D. 193,243 7/1962 Chapman et al. D6/574
- D. 242,313 11/1976 Stentz D6/574
- D. 280,583 9/1985 Evenson D6/574

- D. 281,040 10/1985 Campbell et al. D6/574
- D. 287,200 12/1986 Geechelin D6/574
- 2,770,513 11/1956 Brown 211/88
- 3,437,214 4/1969 Sainsbury 211/90

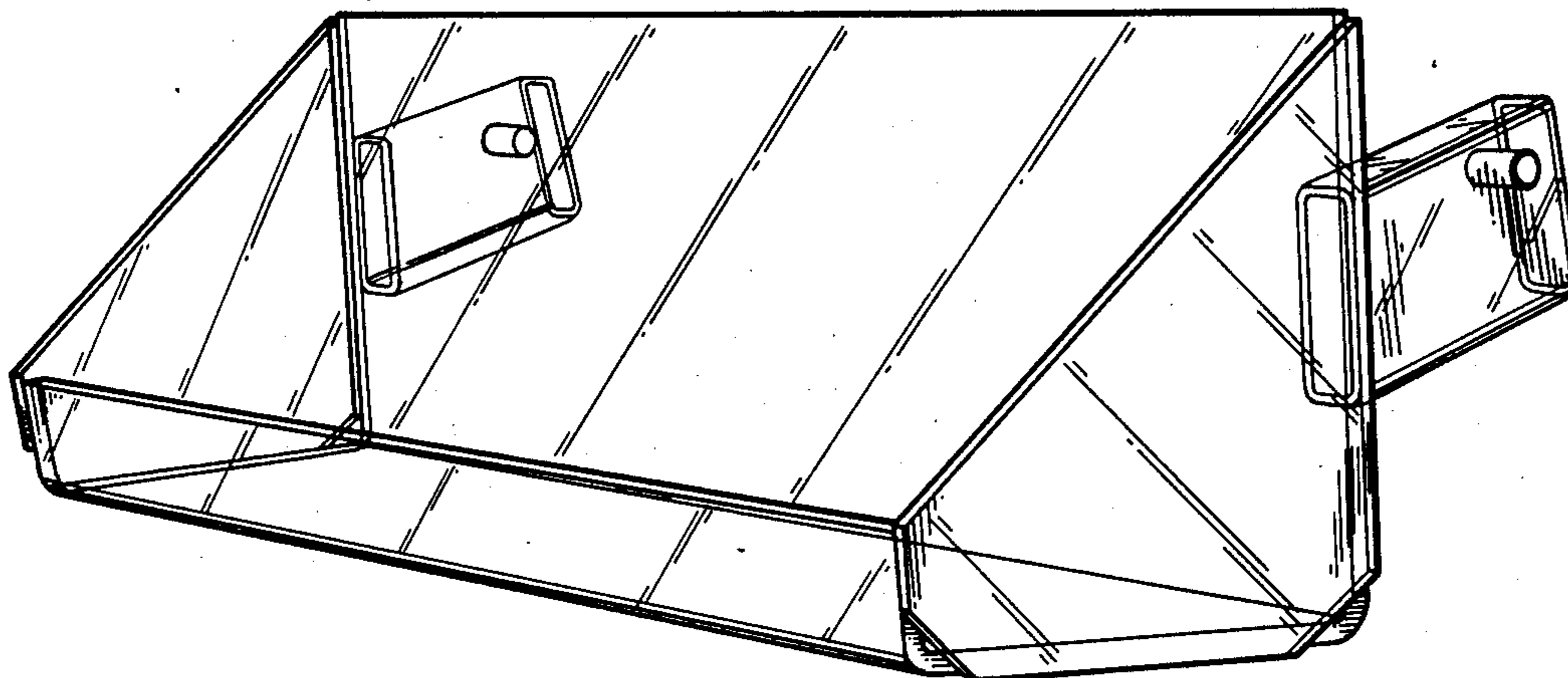
Primary Examiner—Wallace R. Burke
Assistant Examiner—Brian N. Vinson
Attorney, Agent, or Firm—Morton J. Rosenberg; David I. Klein

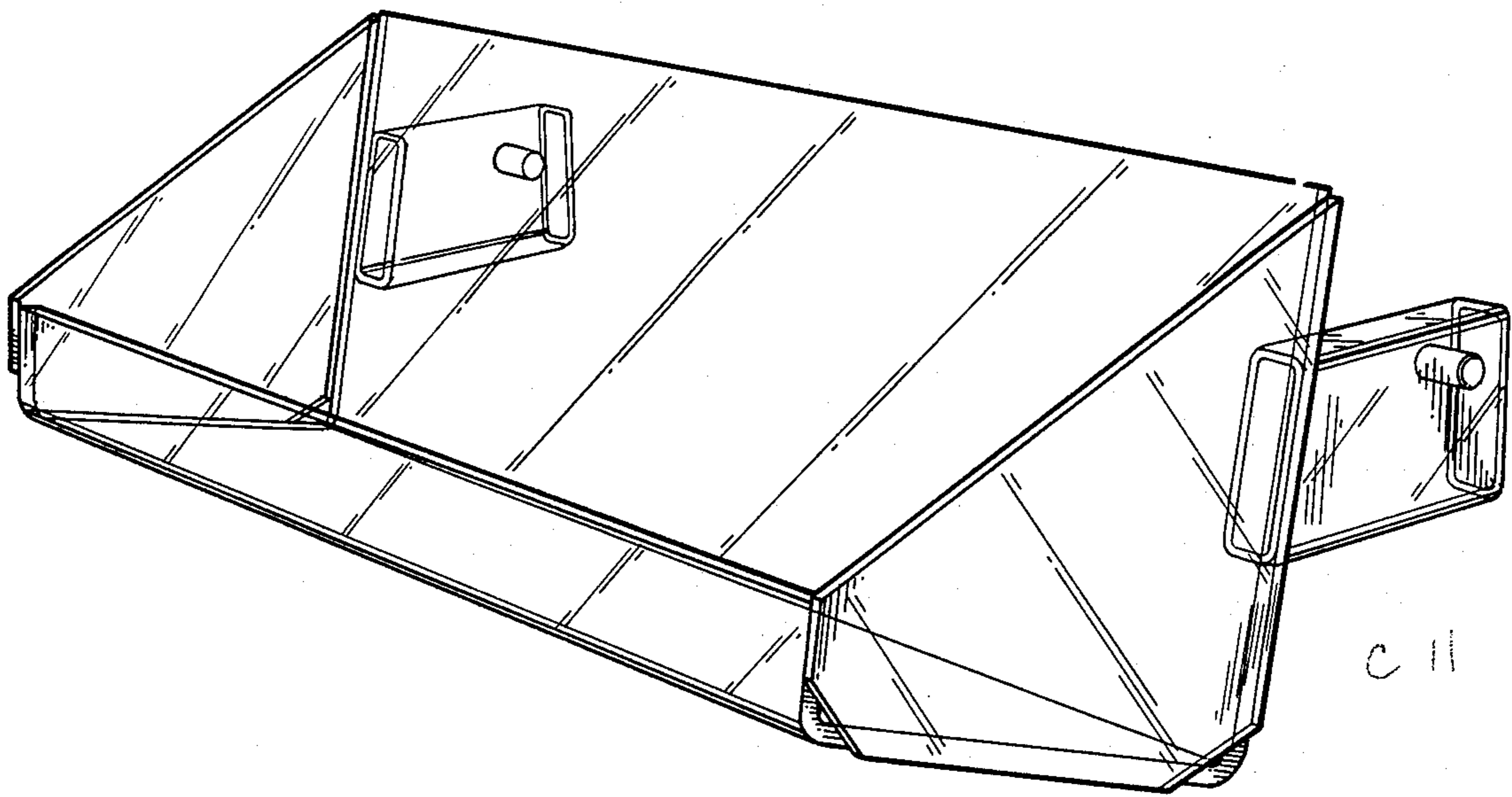
[57] CLAIM

The ornamental design for a display shelf, as shown and described.

DESCRIPTION

FIG. 1 is a perspective view of a display shelf showing our new design;
FIG. 2 is a front elevational view thereof;
FIG. 3 is a right side elevational view thereof, the left side being a mirror image of that shown;
FIG. 4 is a top plan view thereof;
FIG. 5 is a rear elevational view thereof;
FIG. 6 is a bottom plan view thereof.





C II

FIG. 1

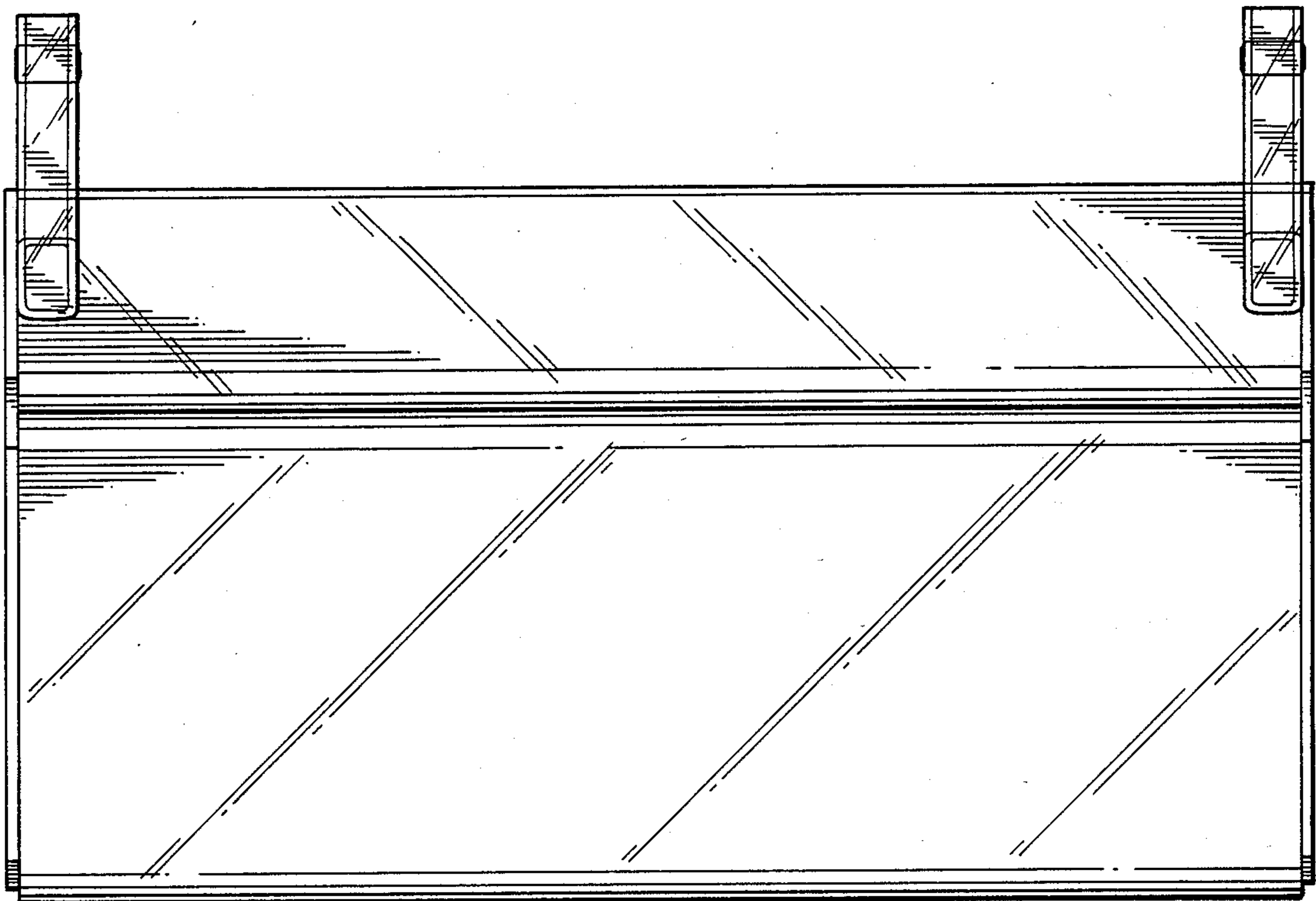


FIG. 6

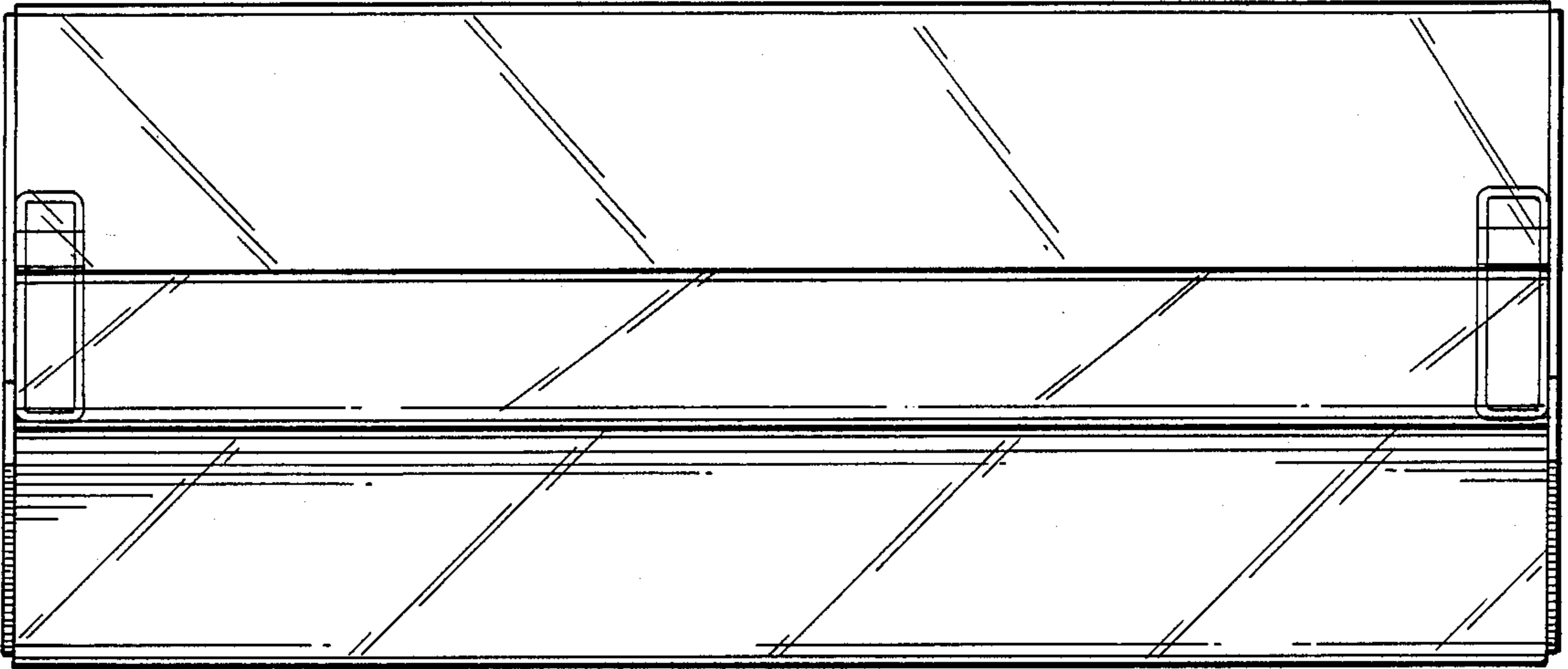


FIG. 2

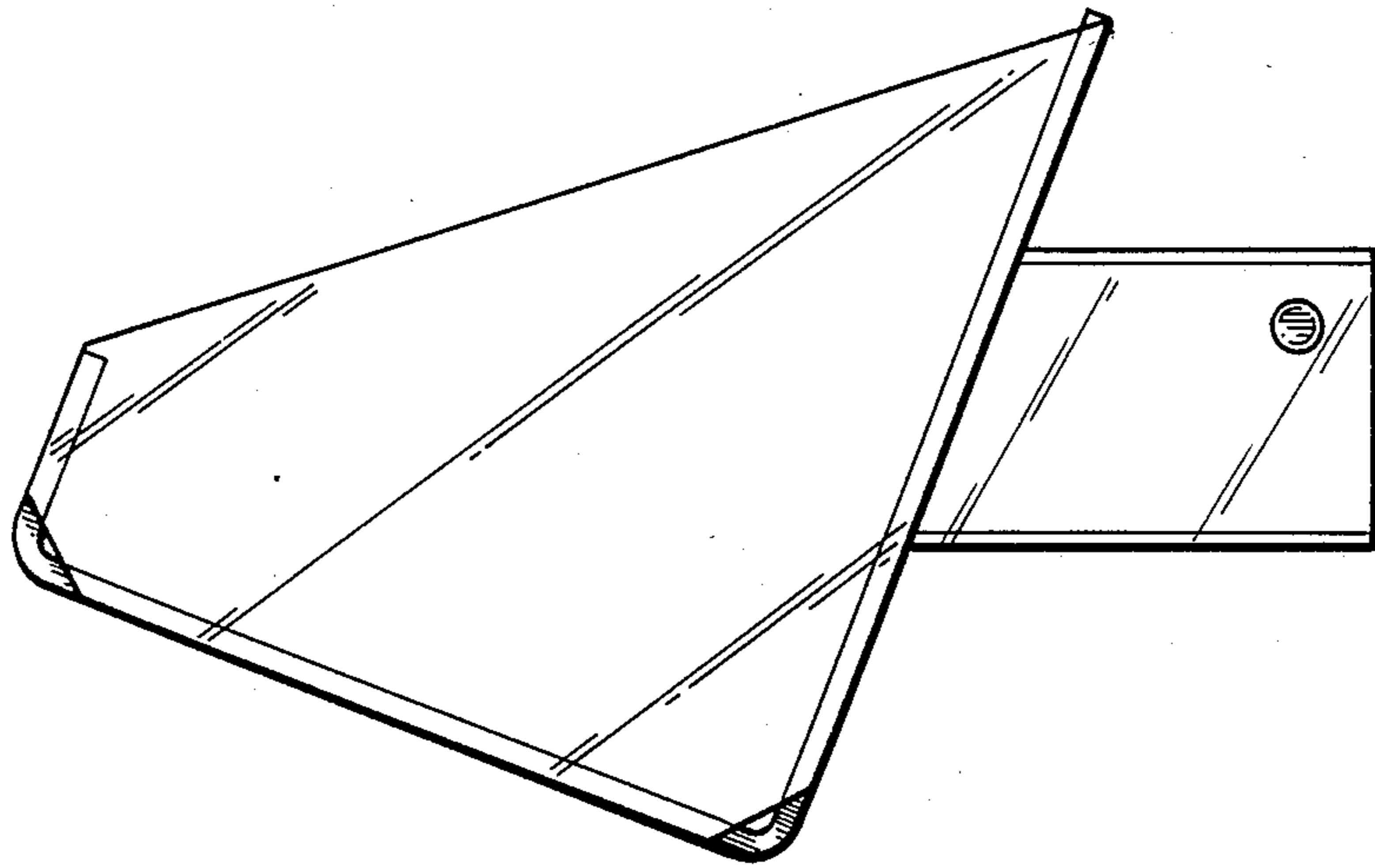


FIG. 3

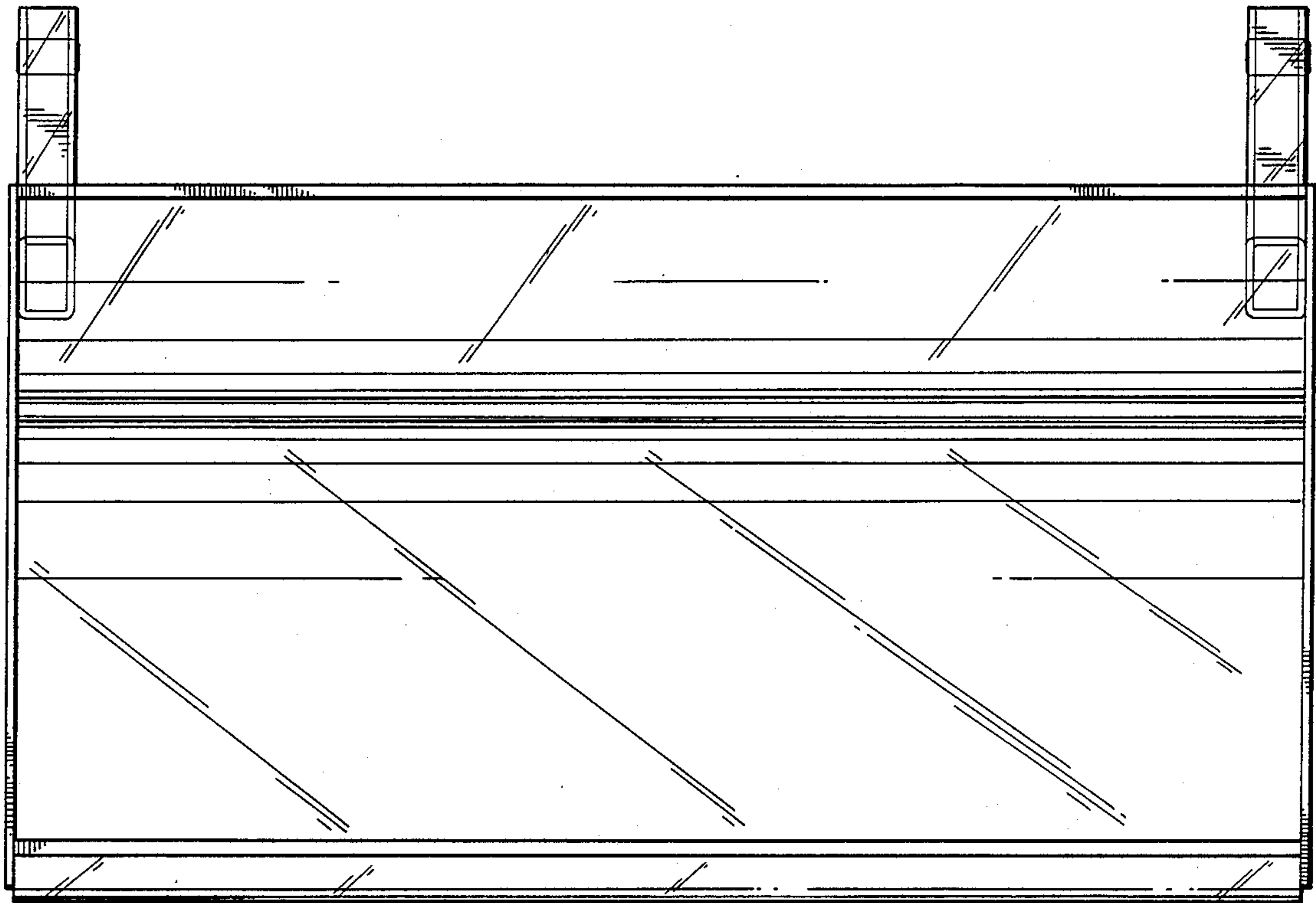


FIG. 4

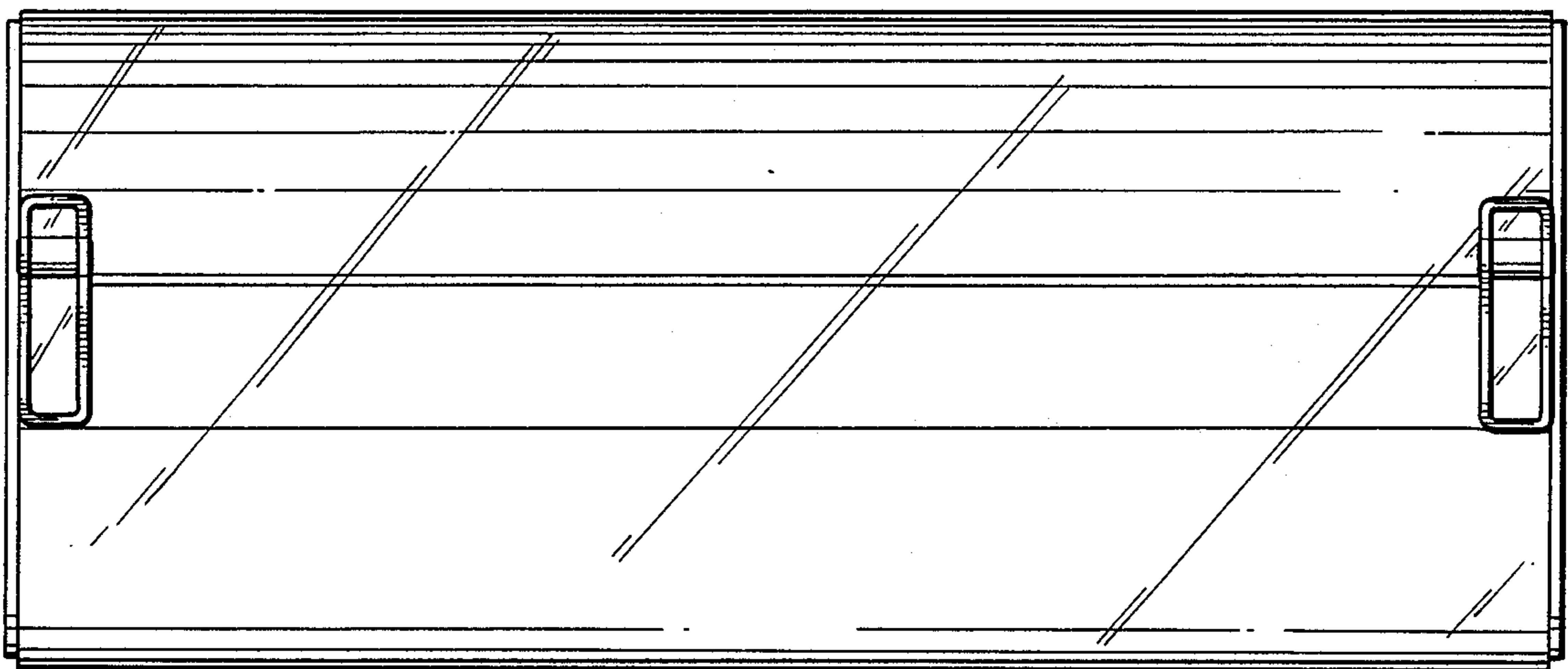


FIG. 5