

[54] **TABLE**

[75] **Inventor:** **Willi van Engeland, Almelo, Netherlands**

[73] **Assignee:** **501 Staat Der Nederlanden, Netherlands**

[**] **Term:** **14 Years**

[21] **Appl. No.:** **268,606**

[22] **Filed:** **Nov. 7, 1988**

Related U.S. Application Data

[63] Continuation of Ser. No. 838,055, Feb. 28, 1986, abandoned.

[30] **Foreign Application Priority Data**

Aug. 29, 1985 [XB] Benelux 60330-00
[52] **U.S. Cl.** **D6/487**
[58] **Field of Search** D6/477, 480, 484, 486,
D6/487, 488, 449

[56] **References Cited**

U.S. PATENT DOCUMENTS

D. 233,198 10/1974 Petersen D6/487
D. 236,058 7/1975 Kramer D6/484
D. 281,297 11/1985 Esslinger D6/484
D. 284,532 7/1986 Vogt D6/480 X
3,990,663 11/1976 Hendrickson et al. D6/487 X

OTHER PUBLICATIONS

Domus, Jan. 1979, p. 37, Table top left.

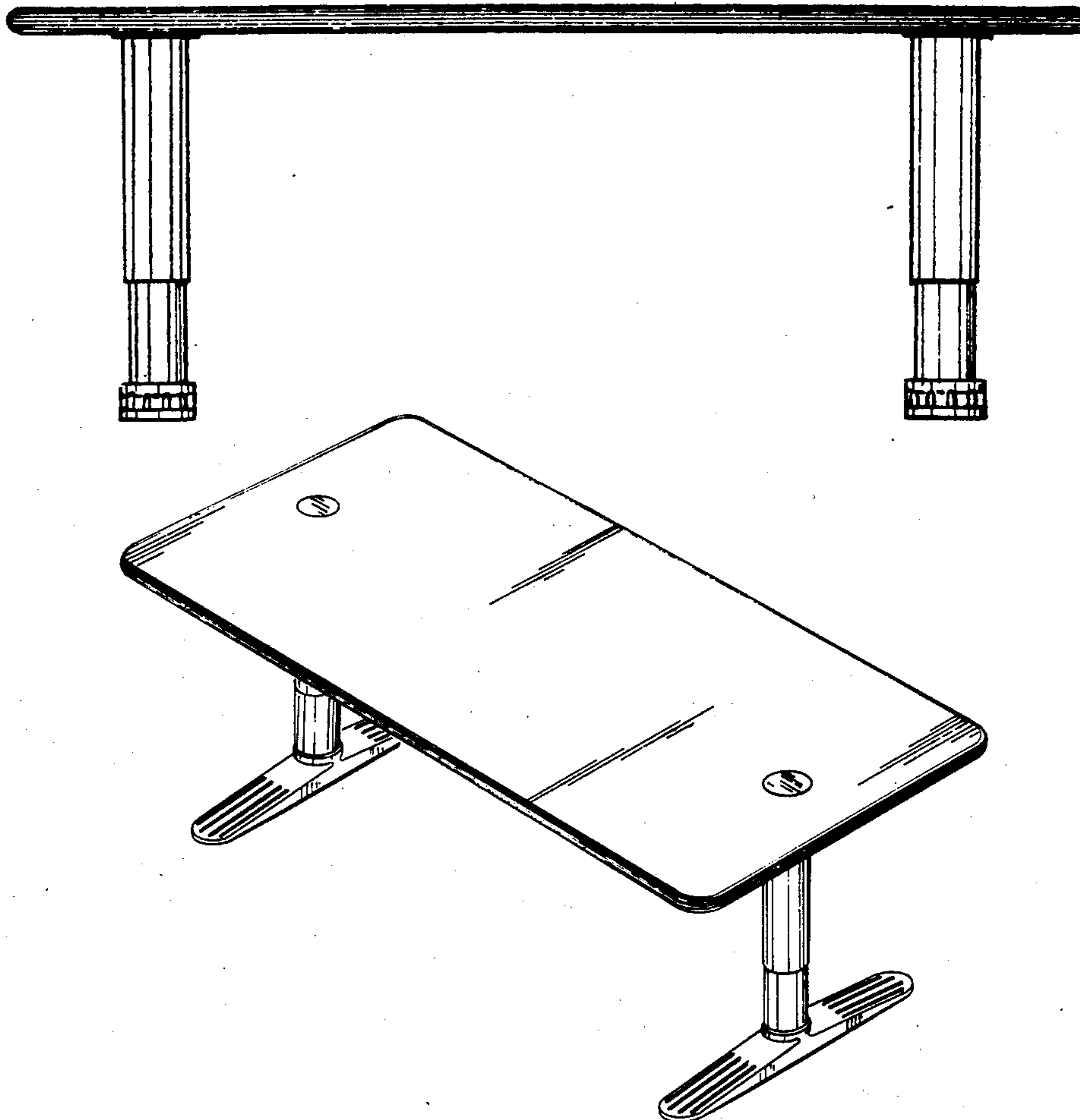
Primary Examiner—Carmen H. Vales-Lado
Attorney, Agent, or Firm—John P. Snyder

[57] **CLAIM**

The ornamental design for a table, as shown.

DESCRIPTION

FIG. 1 is a front elevational view of a table showing my new design;
FIG. 2 is a top plan view thereof;
FIG. 3 is a rear elevational view thereof;
FIG. 4 is a bottom plan view thereof;
FIG. 5 is an end elevational view thereof;
FIG. 6 is an opposite end elevational view thereof; and
FIG. 7 is a perspective view thereof.



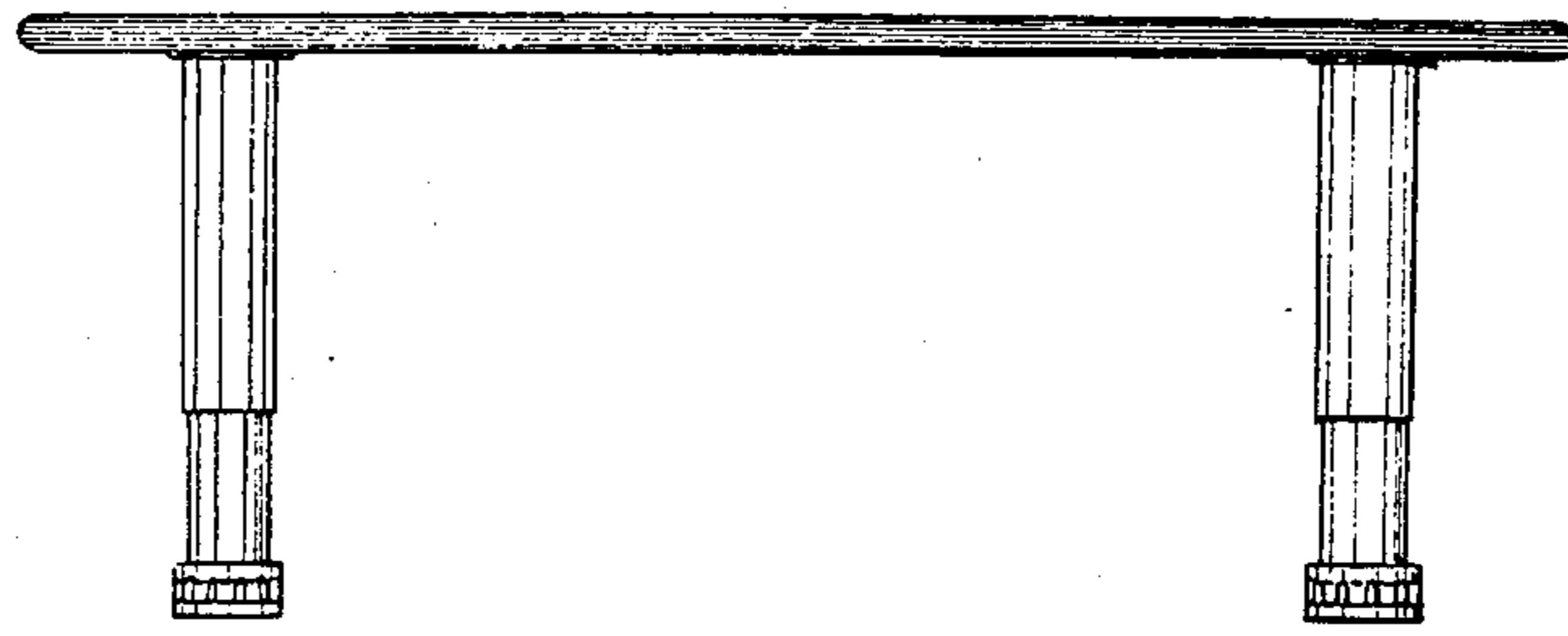


FIG. 1

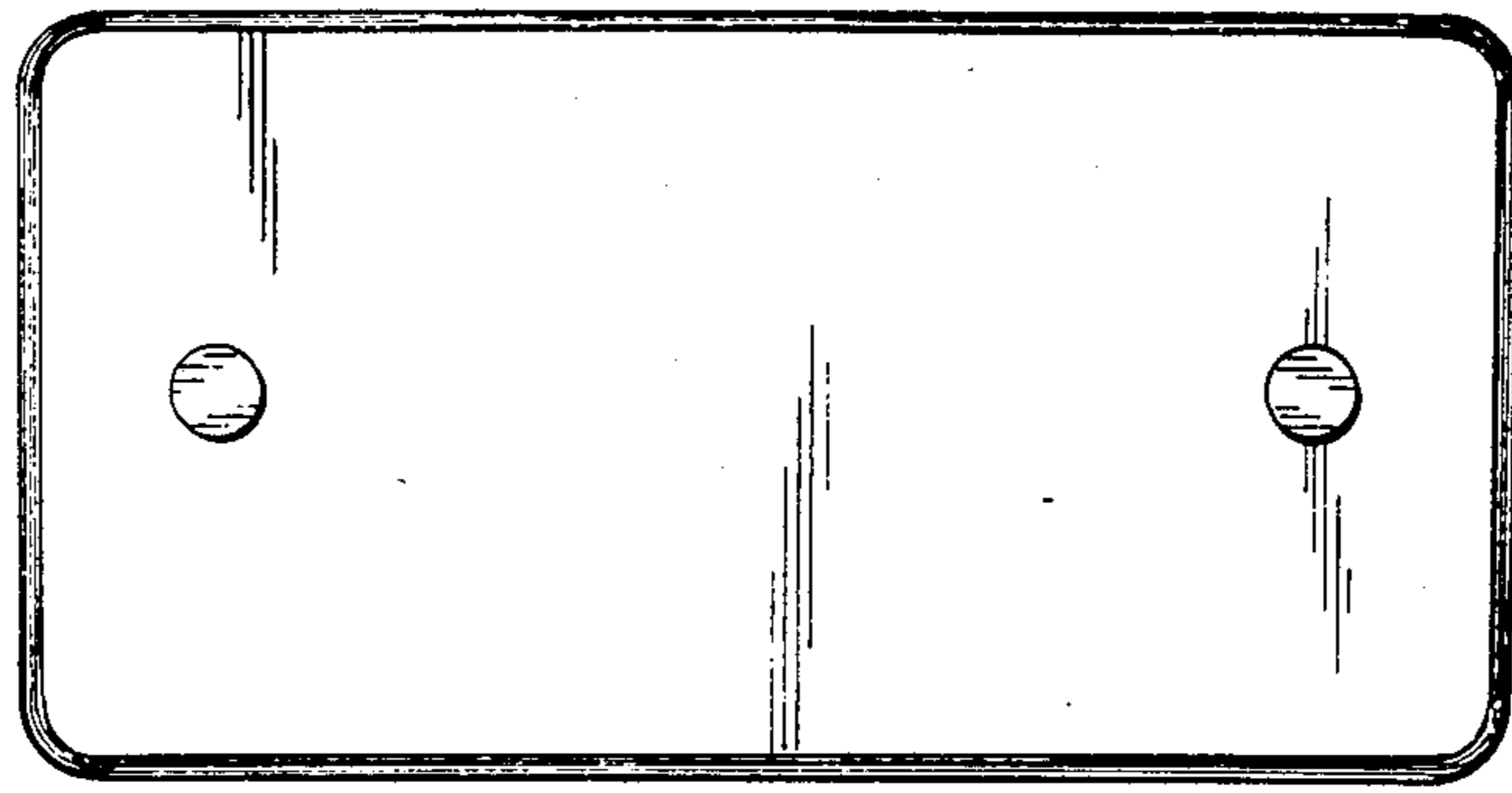


FIG. 2

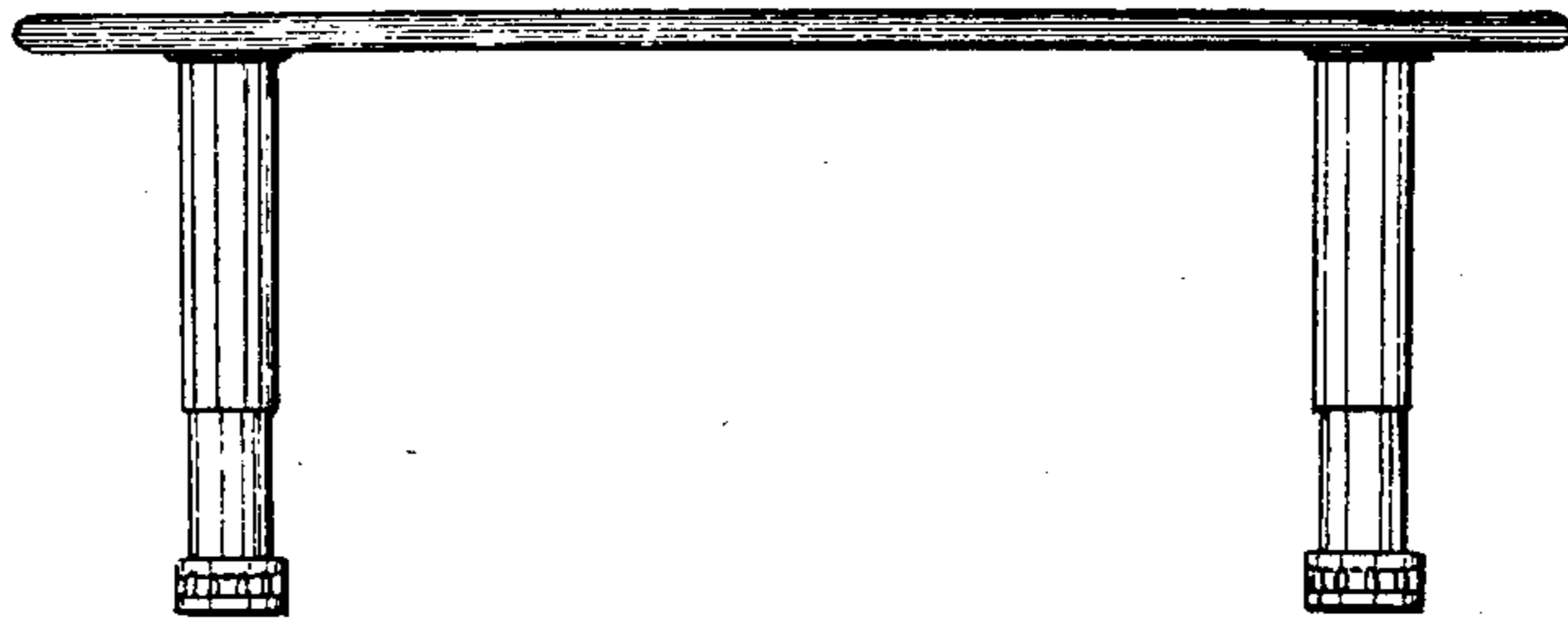


FIG. 3

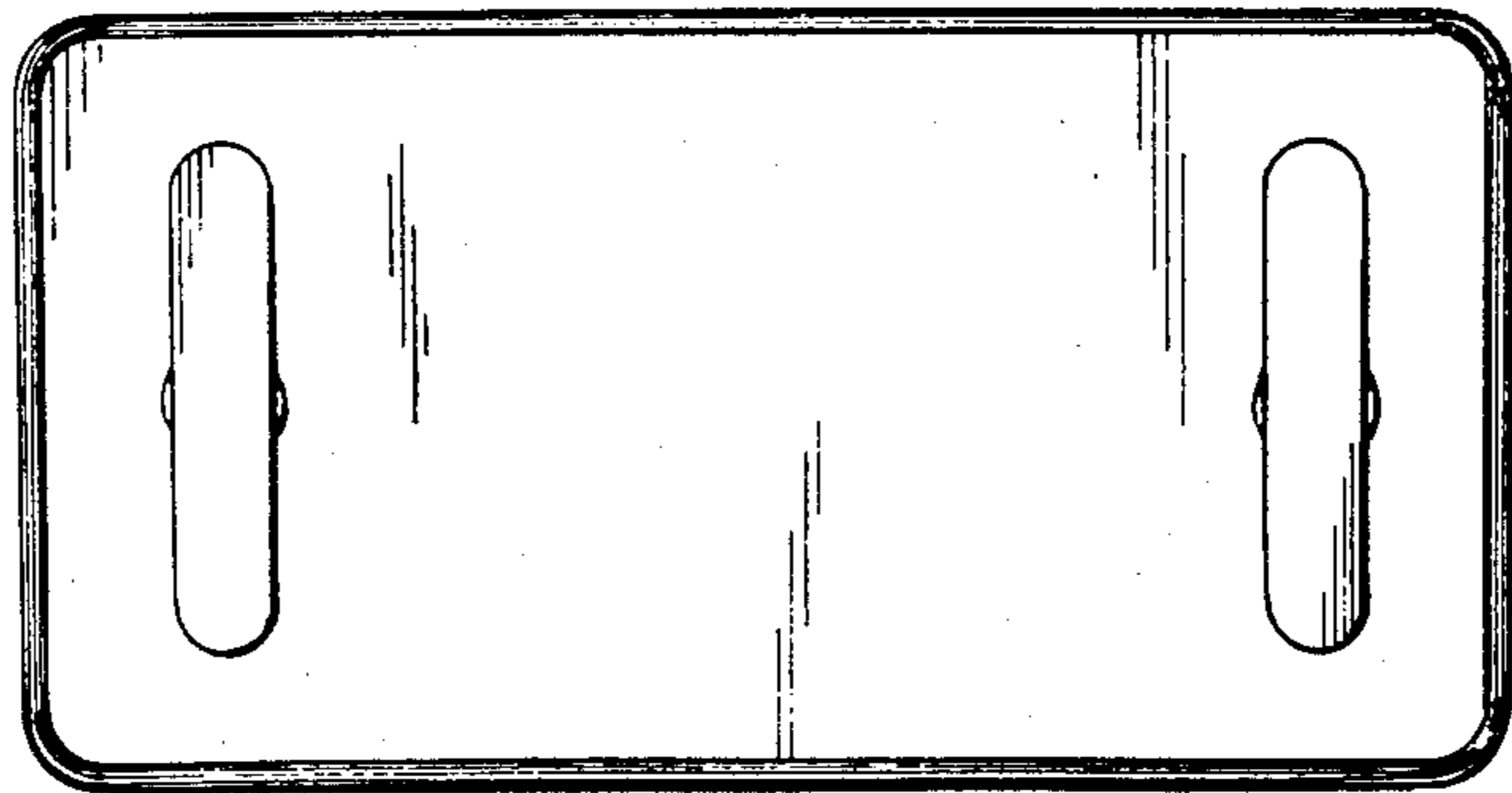


FIG. 4

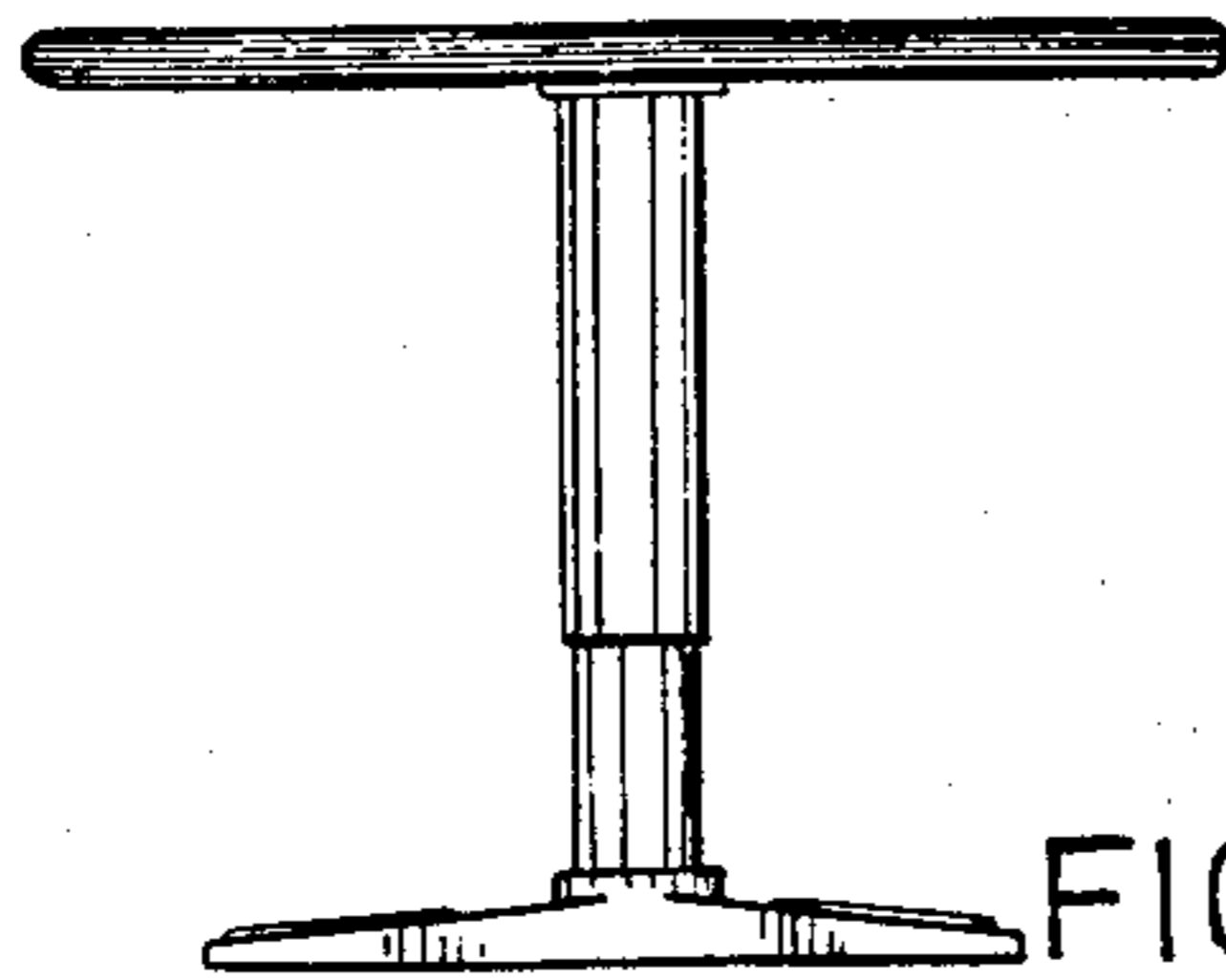


FIG. 5

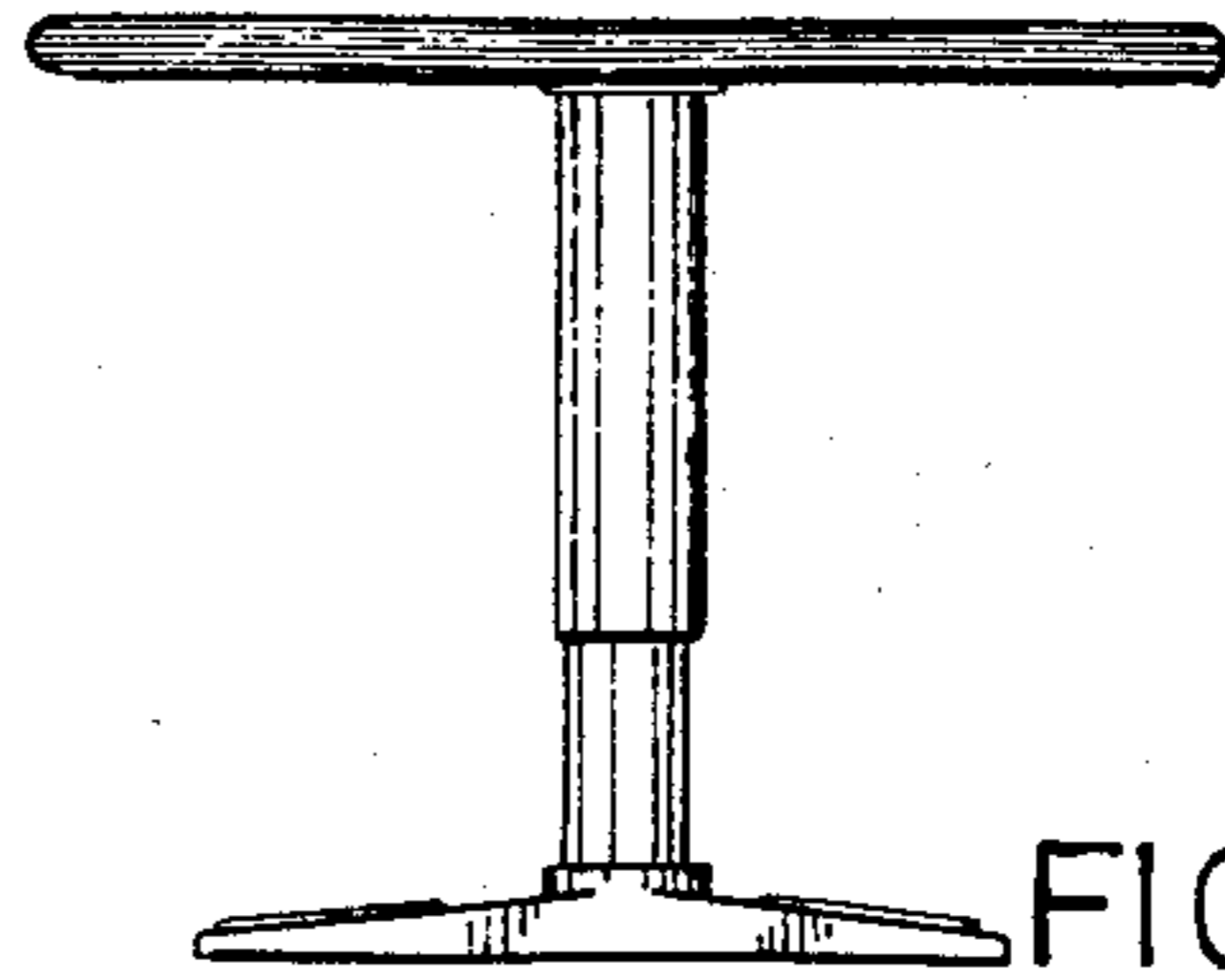


FIG. 6

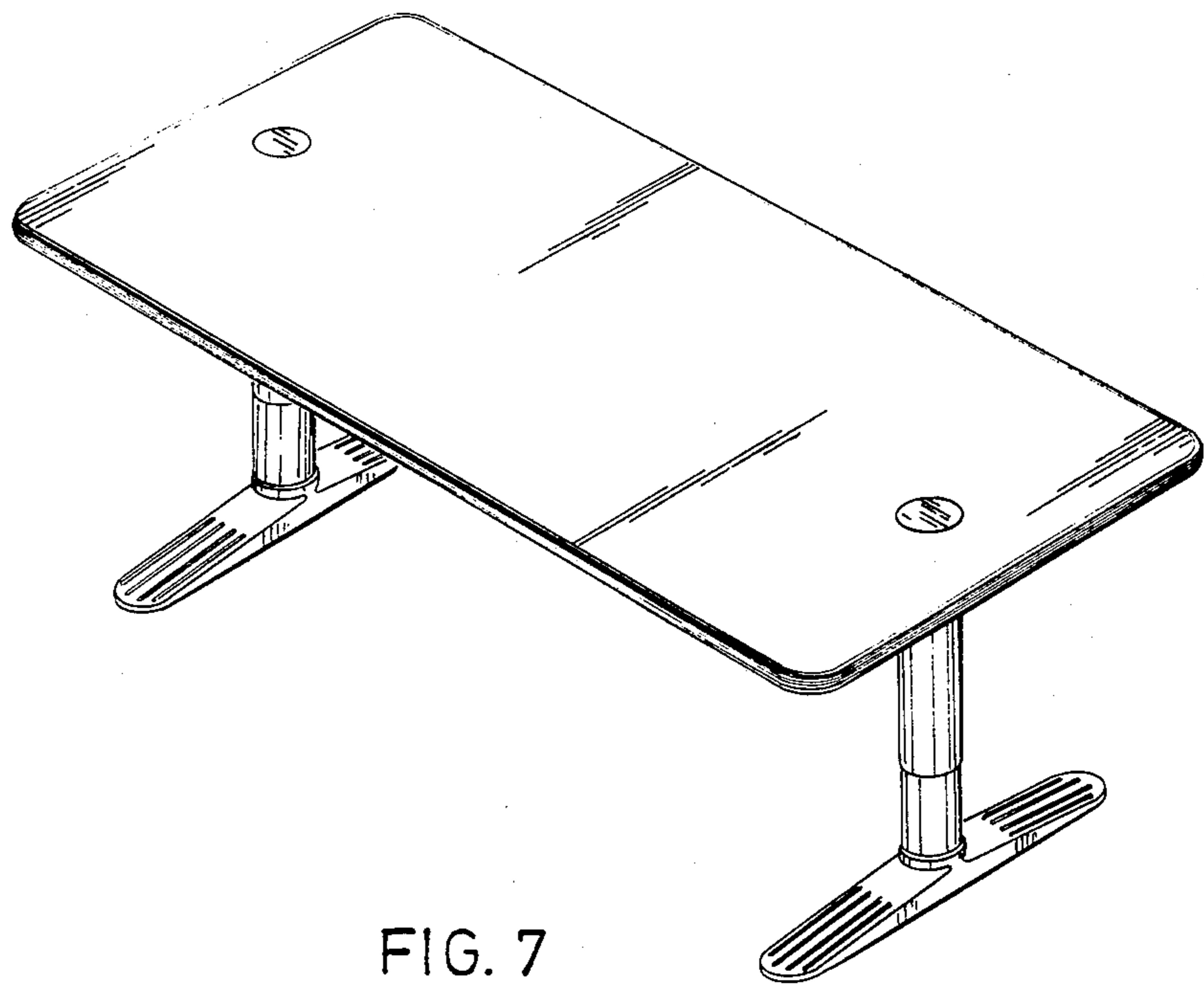


FIG. 7