

[54] **BOTTLE STORAGE RACK**
[75] **Inventor: David T. Kaufman, Jr.,
Jeffersontown, Ky.**
[73] **Assignee: Lesco Design & Manufacturing
Company, Inc., LaGrange, Ky.**
[**] **Term: 14 Years**
[21] **Appl. No.: 924,599**
[22] **Filed: Oct. 29, 1986**
[52] **U.S. Cl. D6/465**
[58] **Field of Search D7/70, 71; D9/455;
D6/463, 465; 211/74, 75, 71**
[56] **References Cited**
U.S. PATENT DOCUMENTS
D. 288,038 2/1987 Henning D6/465 X

2,286,831 6/1942 Ressinger 211/71

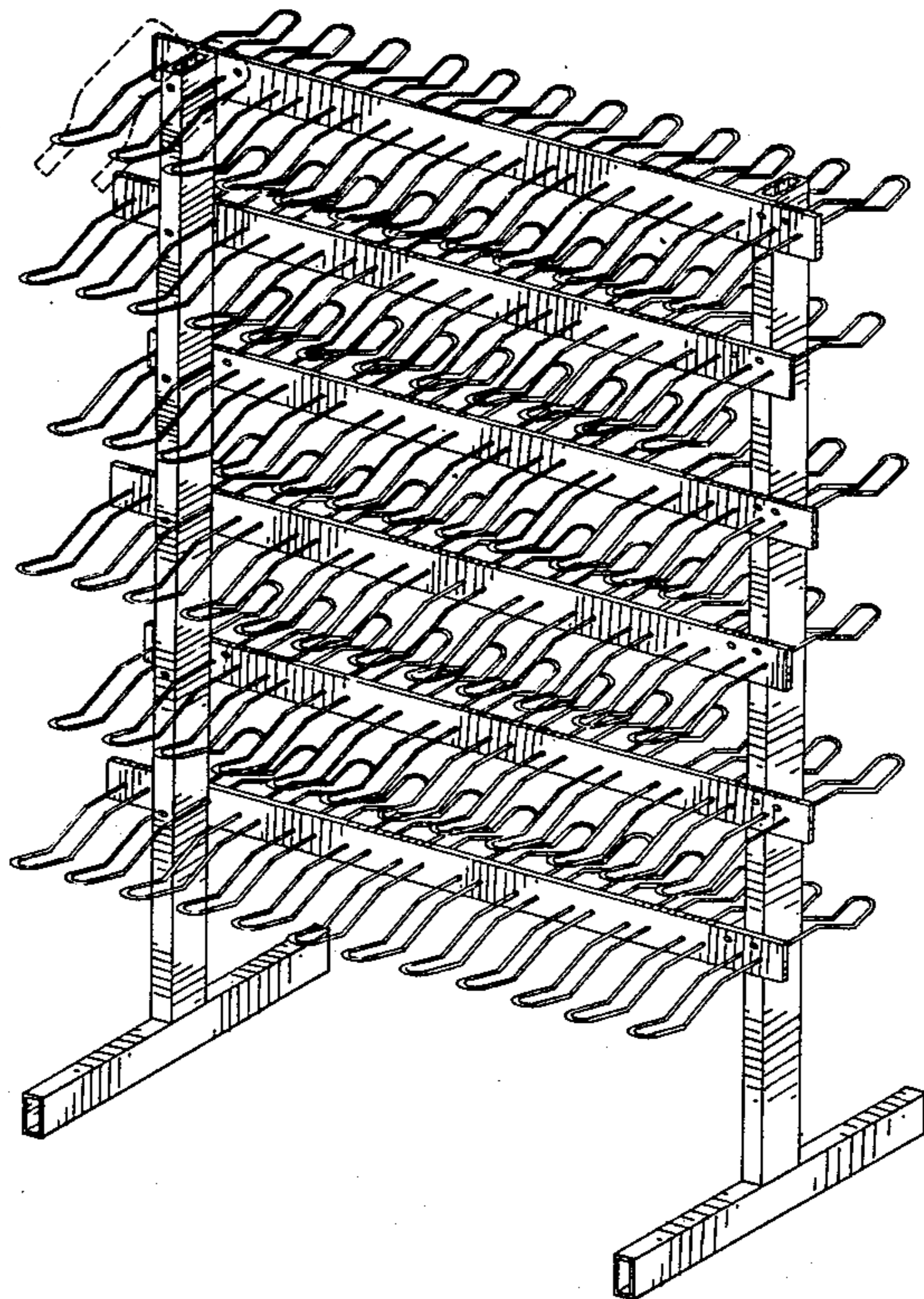
Primary Examiner—Bernard Ansher
Assistant Examiner—Terry A. Pfeffer
Attorney, Agent, or Firm—Middleton & Reutlinger

[57] **CLAIM**

The ornamental design for a bottle storage rack, as shown and described.

DESCRIPTION

FIG. 1 is a top, front, right side perspective view of a bottle storage rack showing my new design; FIG. 2 is a top plan view thereof; FIG. 3 is a right side elevational view thereof; FIG. 4 is a left side elevational view thereof; FIG. 5 is a front elevational view thereof; and FIG. 6 is a rear elevational view thereof; The bottles shown in broken line are for illustrative purposes only.



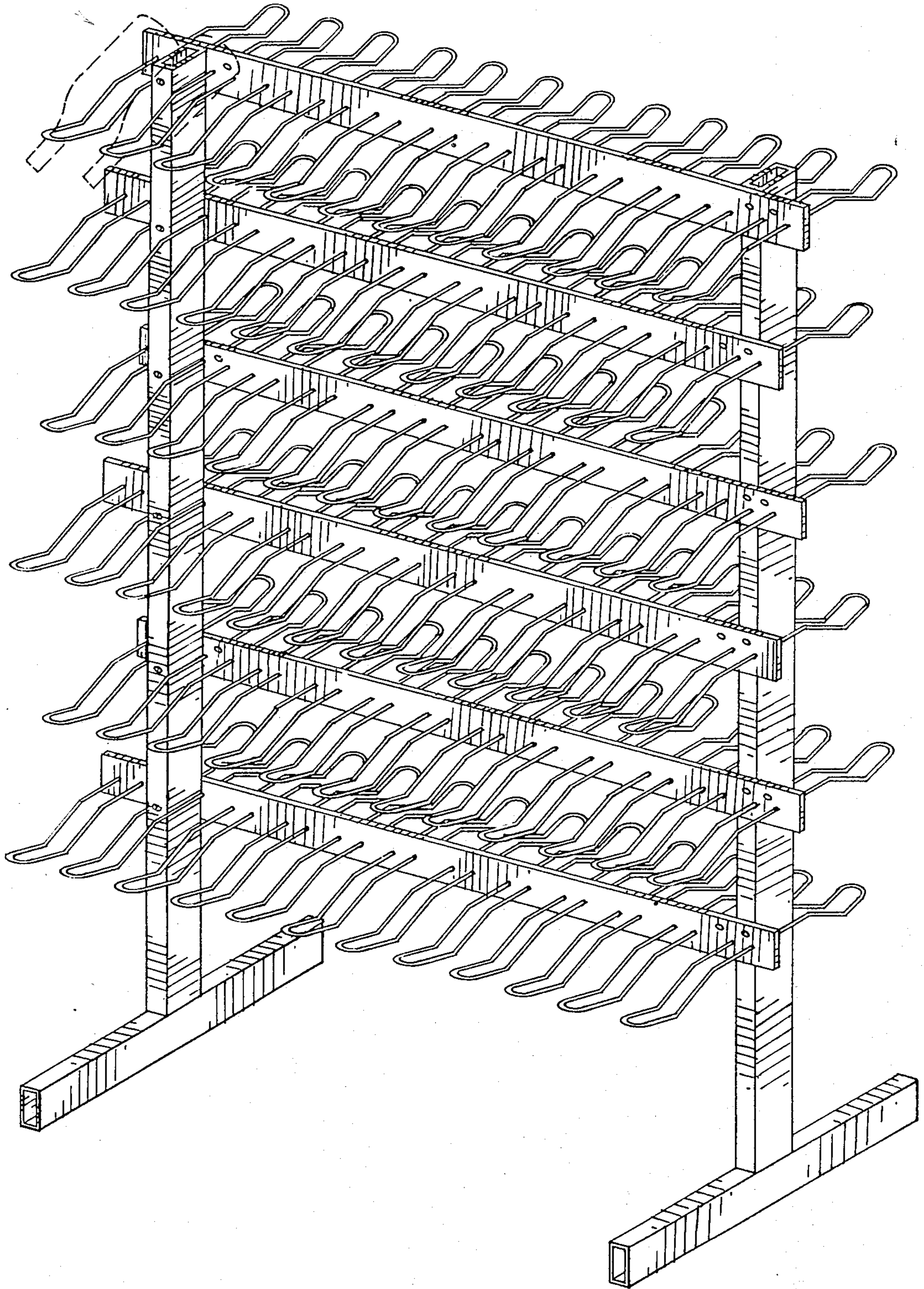


FIG. 1

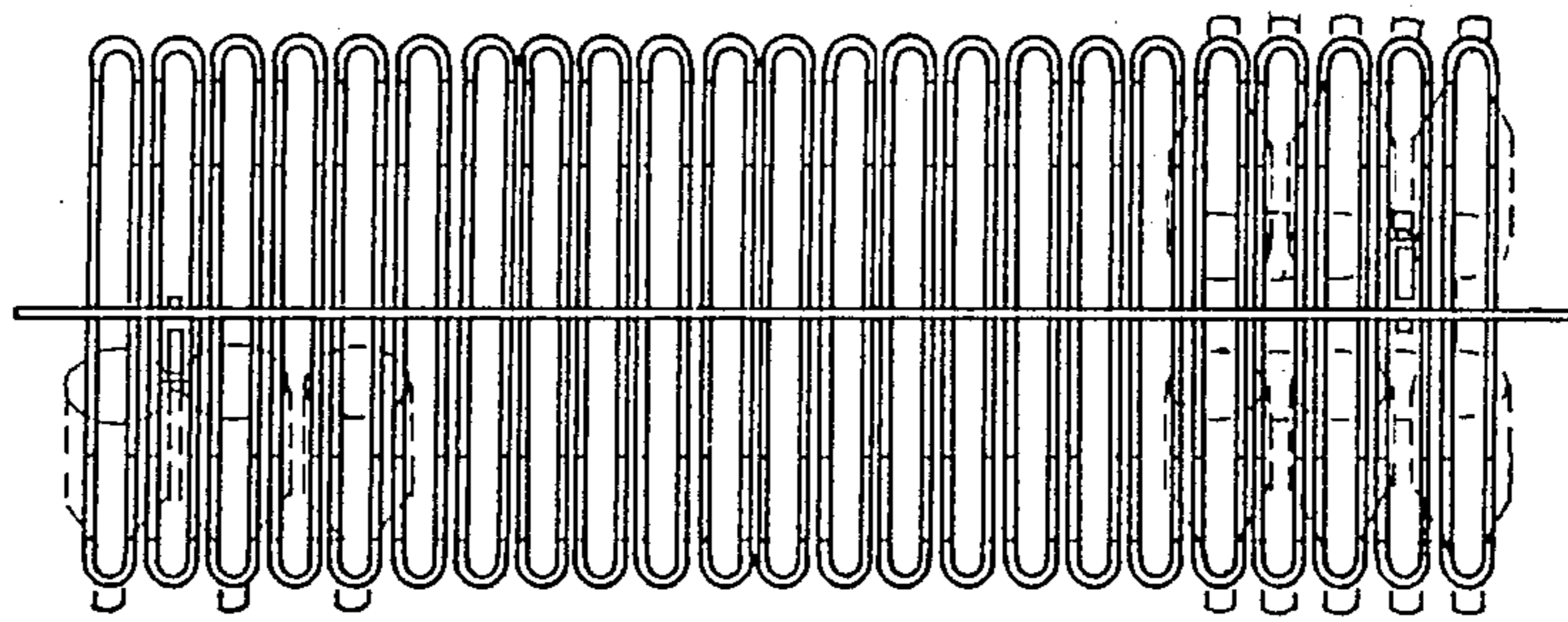


FIG. 2

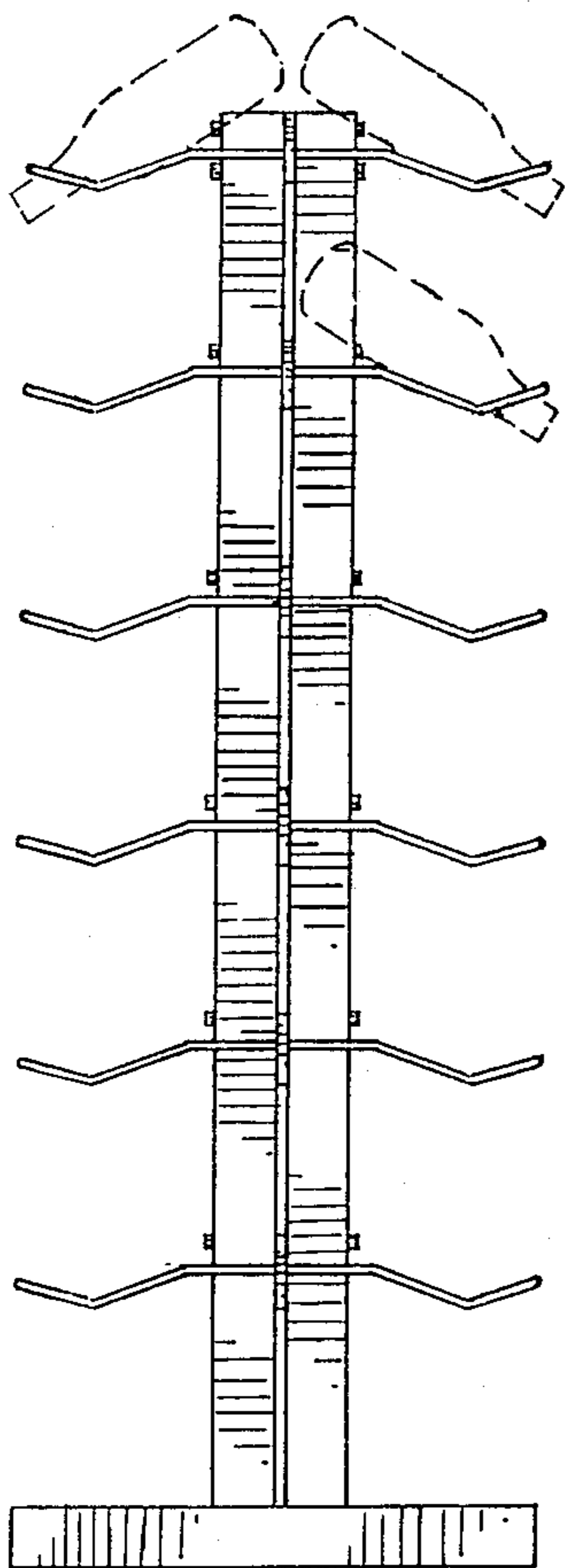


FIG. 3

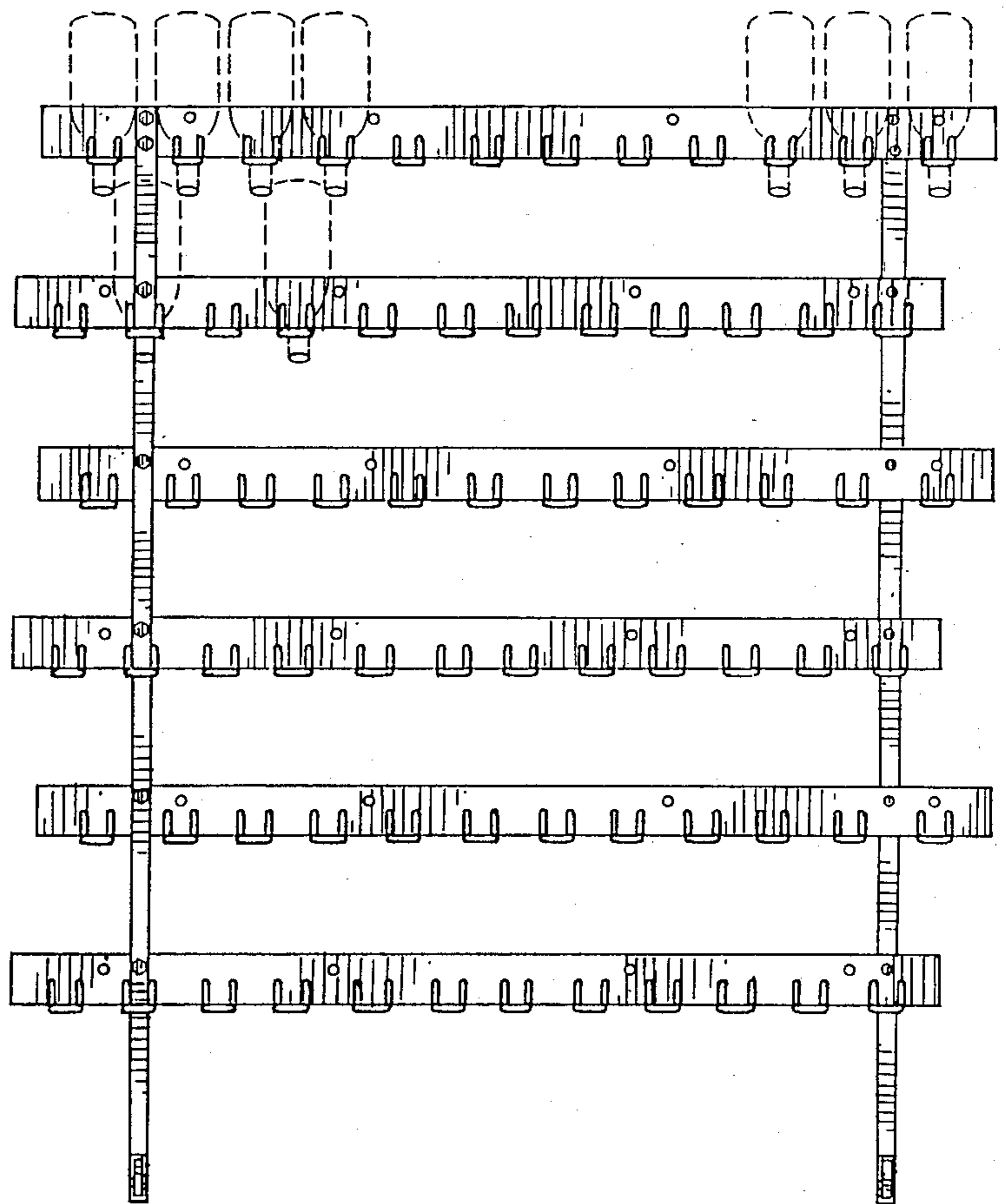


FIG. 5

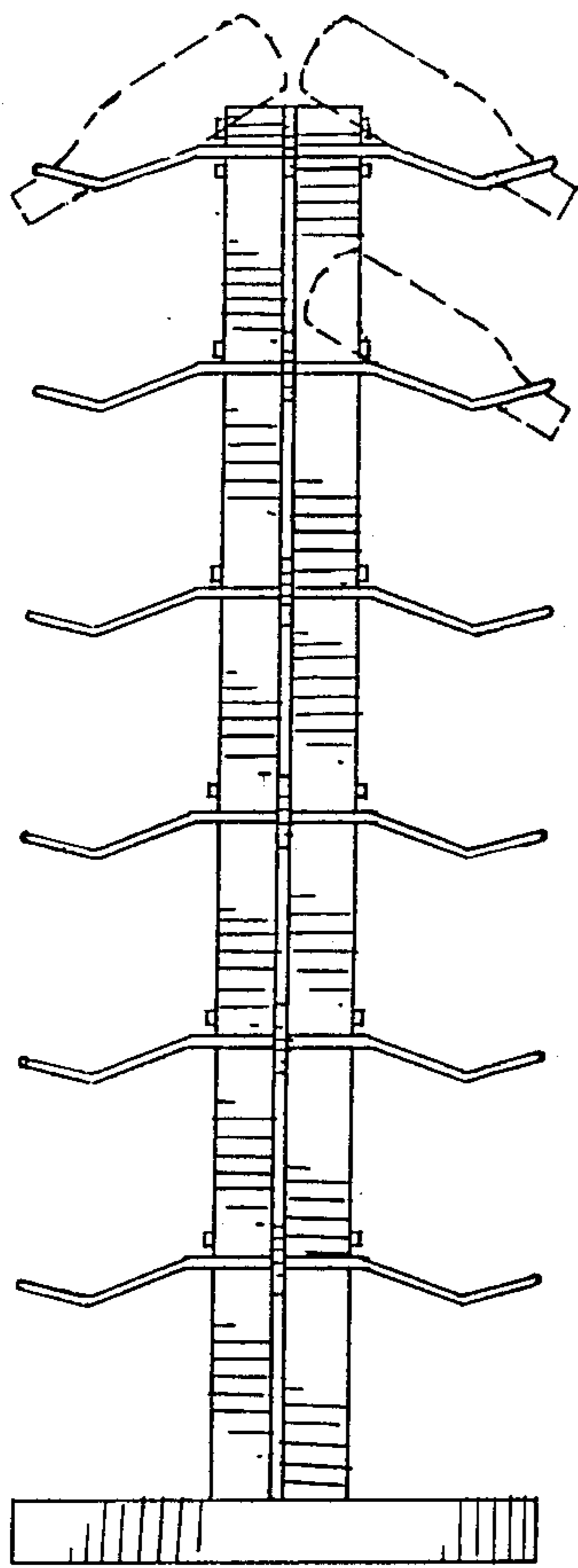


FIG. 4

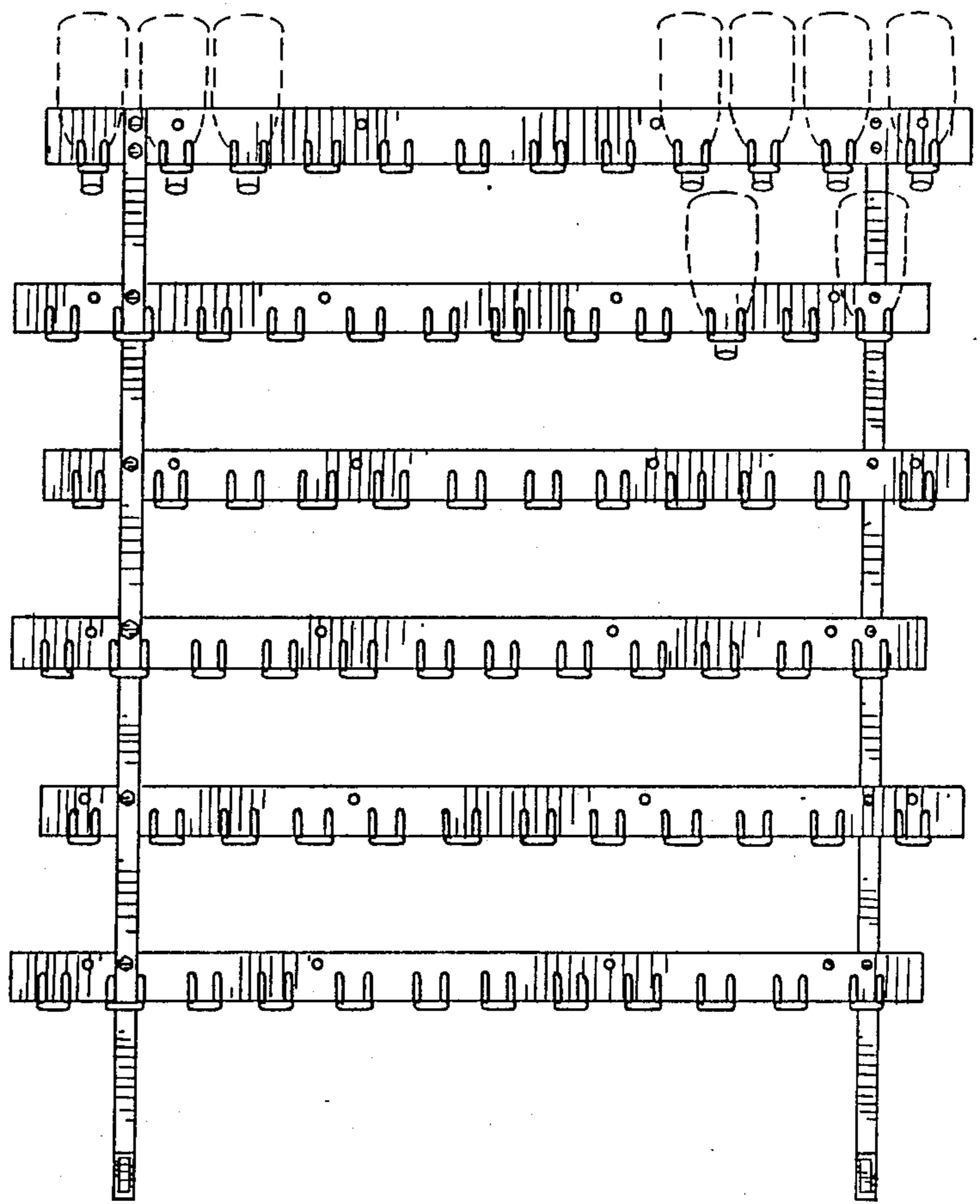


FIG. 6