

United States Patent [19]

Cruz

[11] Patent Number: **Des. 305,185**

[45] Date of Patent: **** Dec. 26, 1989**

[54] **COMPUTER WORK STATION**

[75] Inventor: **Juan E. Cruz, Rio Piedras, P.R.**

[73] Assignee: **Commonwealth of Puerto Rico, San Juan, P.R.**

[**] Term: **14 Years**

[21] Appl. No.: **50,381**

[22] Filed: **May 18, 1987**

[52] U.S. Cl. **D6/426; D6/474**

[58] Field of Search **D6/420, 422, 423, 424, D6/425, 426, 427, 428, 440, 474; 312/194, 195, 196**

[56] **References Cited**

U.S. PATENT DOCUMENTS

D. 157,856 3/1950 Fox et al. **D6/426**

D. 287,319 12/1986 Ugalde **D6/474**
D. 289,474 4/1987 Underwood et al. **D6/420**
4,561,619 12/1985 Robillard et al. **D6/428 X**

Primary Examiner—Carmen H. Vales-Lado
Attorney, Agent, or Firm—Scrivener and Clarke

[57] **CLAIM**

The ornamental design for a computer work station, as shown and described.

DESCRIPTION

FIG. 1 is a perspective view of a computer work station showing my new design;
FIG. 2 is a front elevational view thereof;
FIG. 3 is a rear elevational view thereof;
FIG. 4 is a left side elevational view thereof;
FIG. 5 is a right side elevational view thereof; and
FIG. 6 is a top plan view thereof.

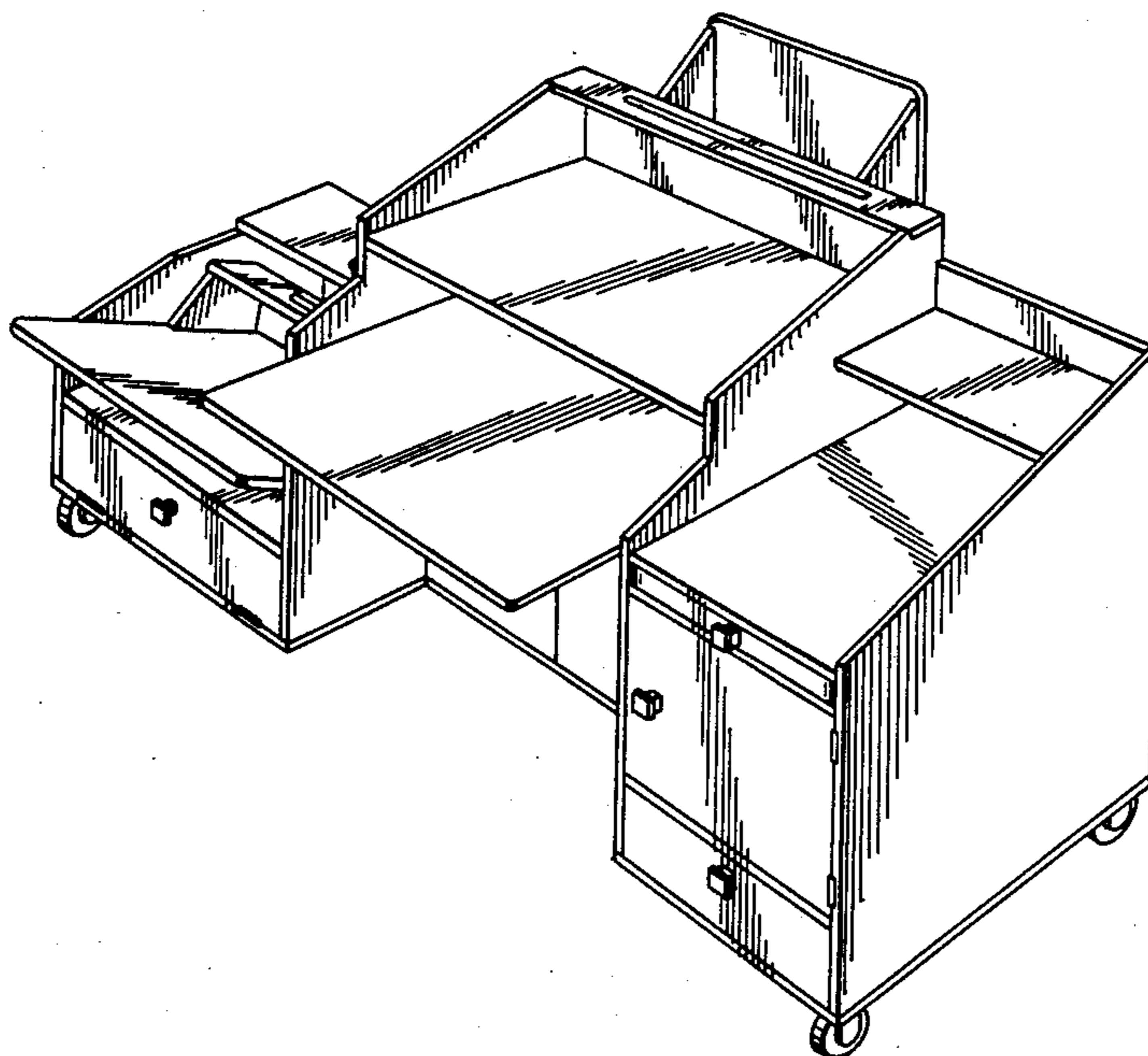
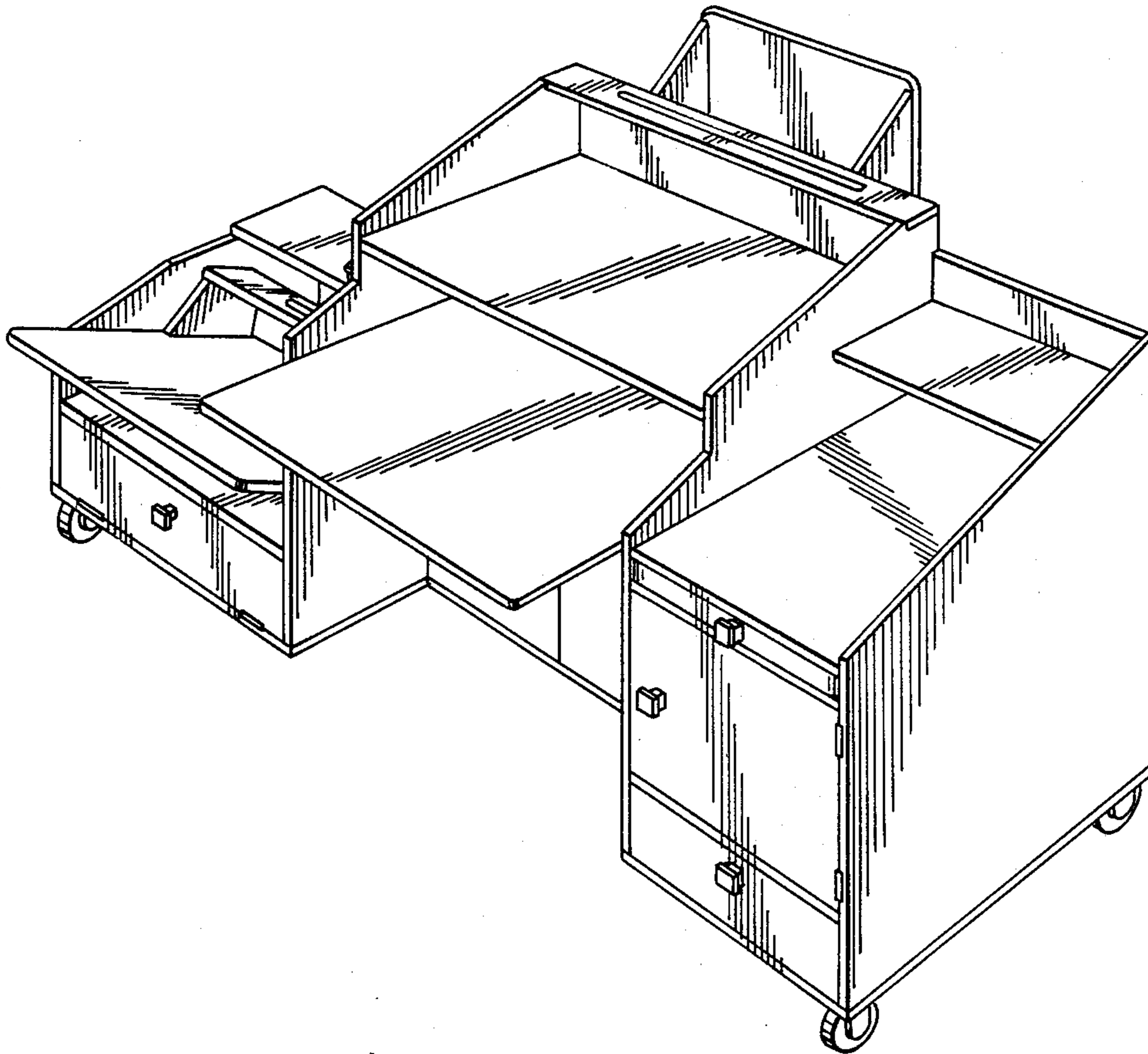


FIG. 1.



LH

FIG. 2.

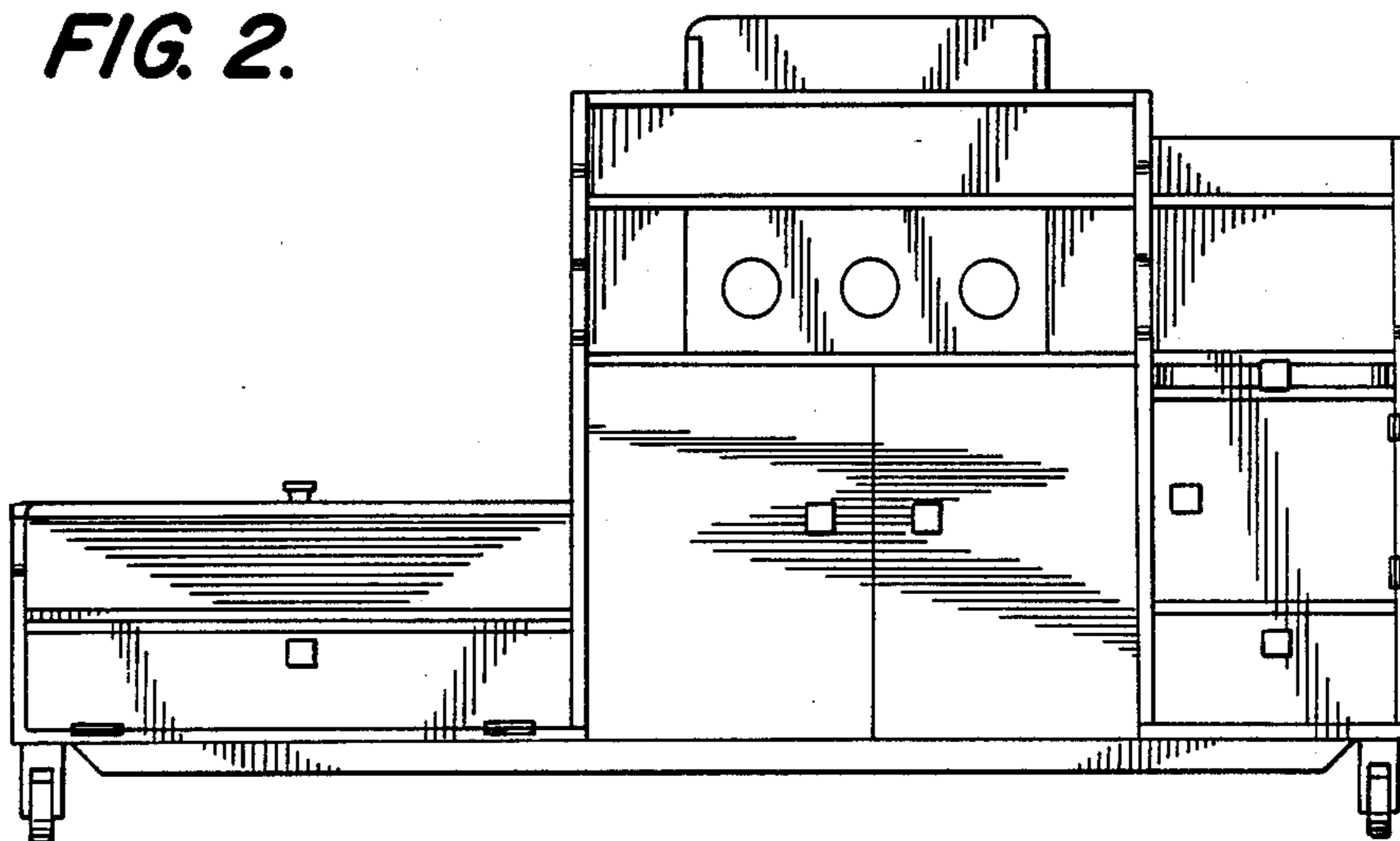


FIG. 3.

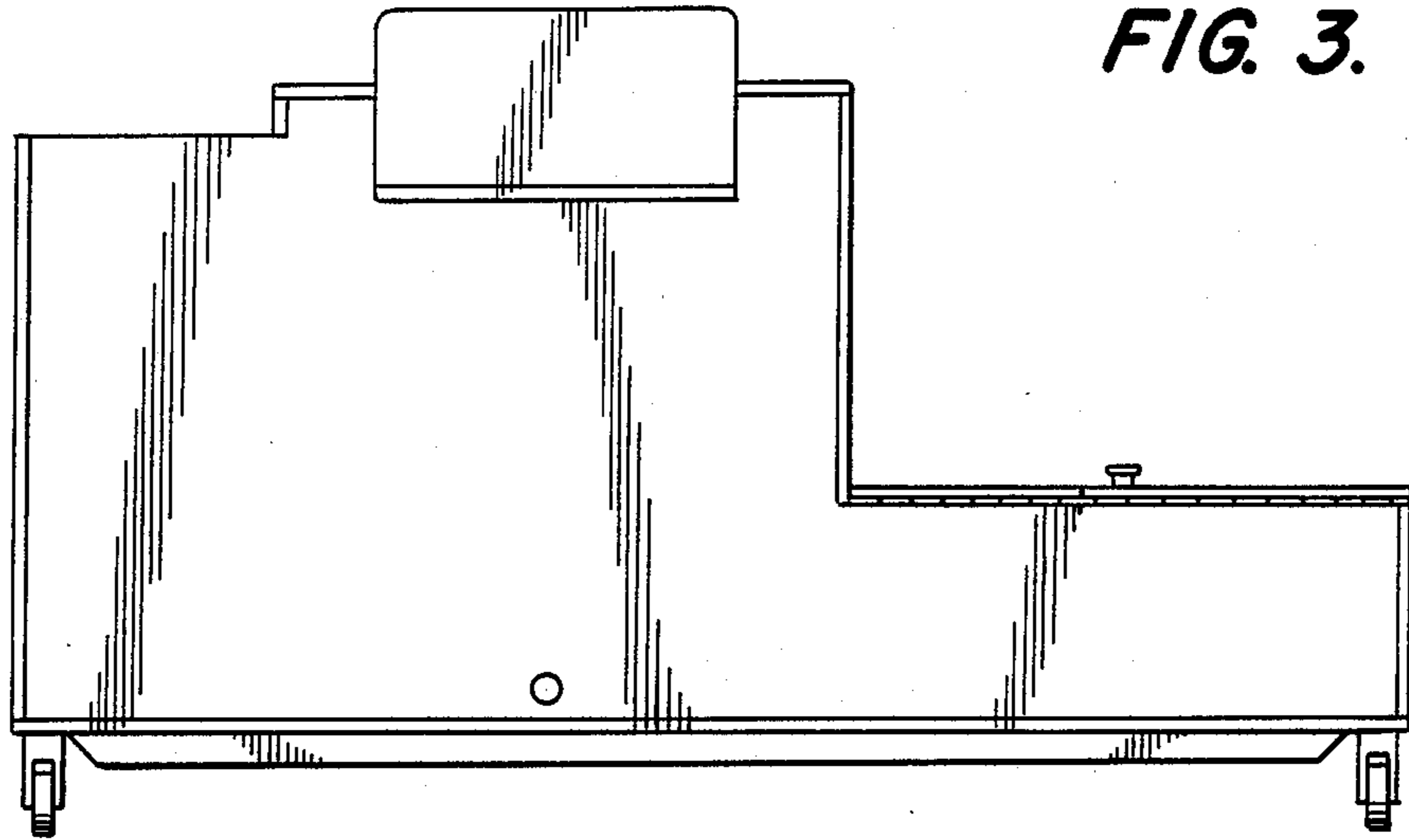


FIG. 4.

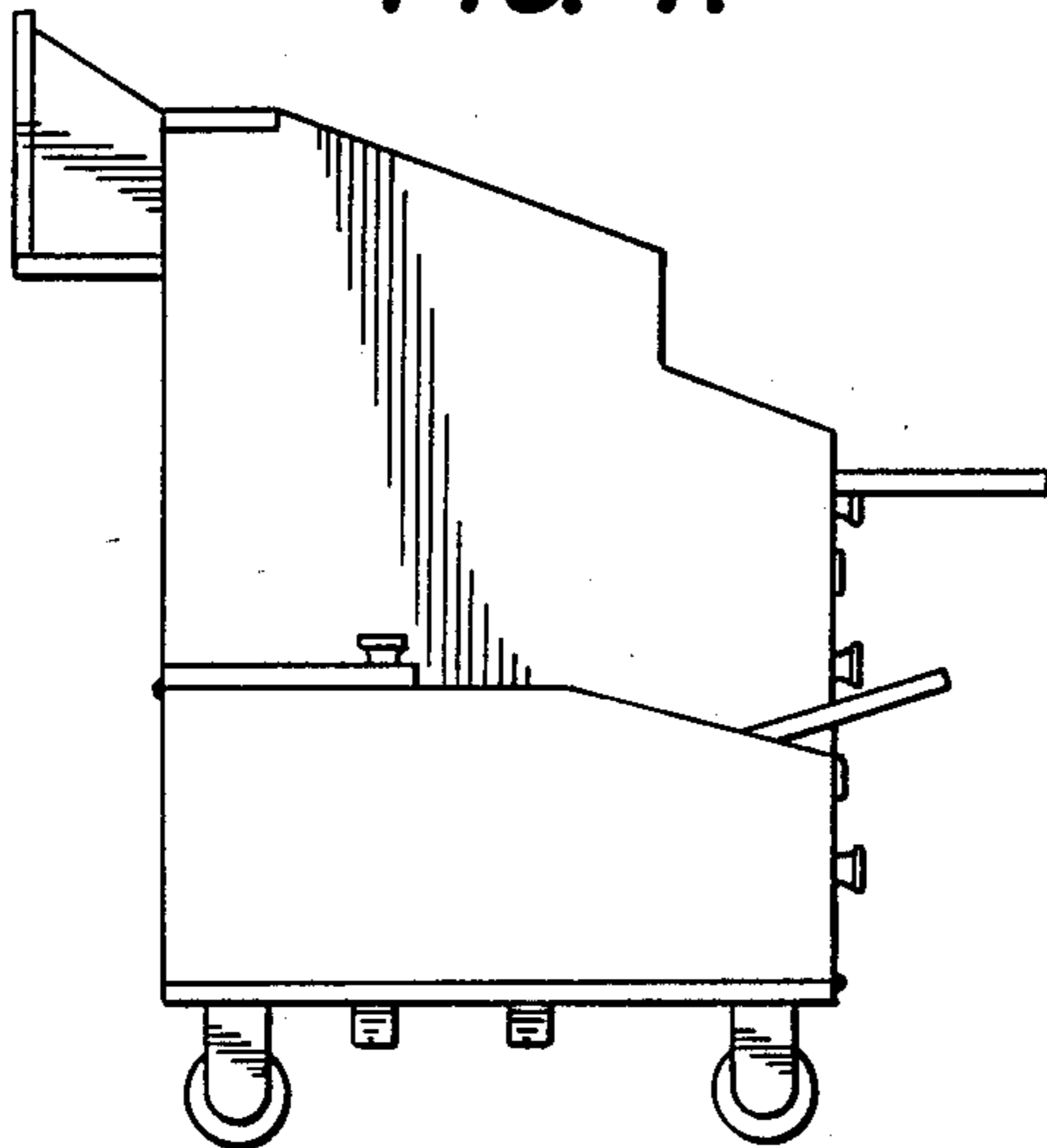


FIG. 5.

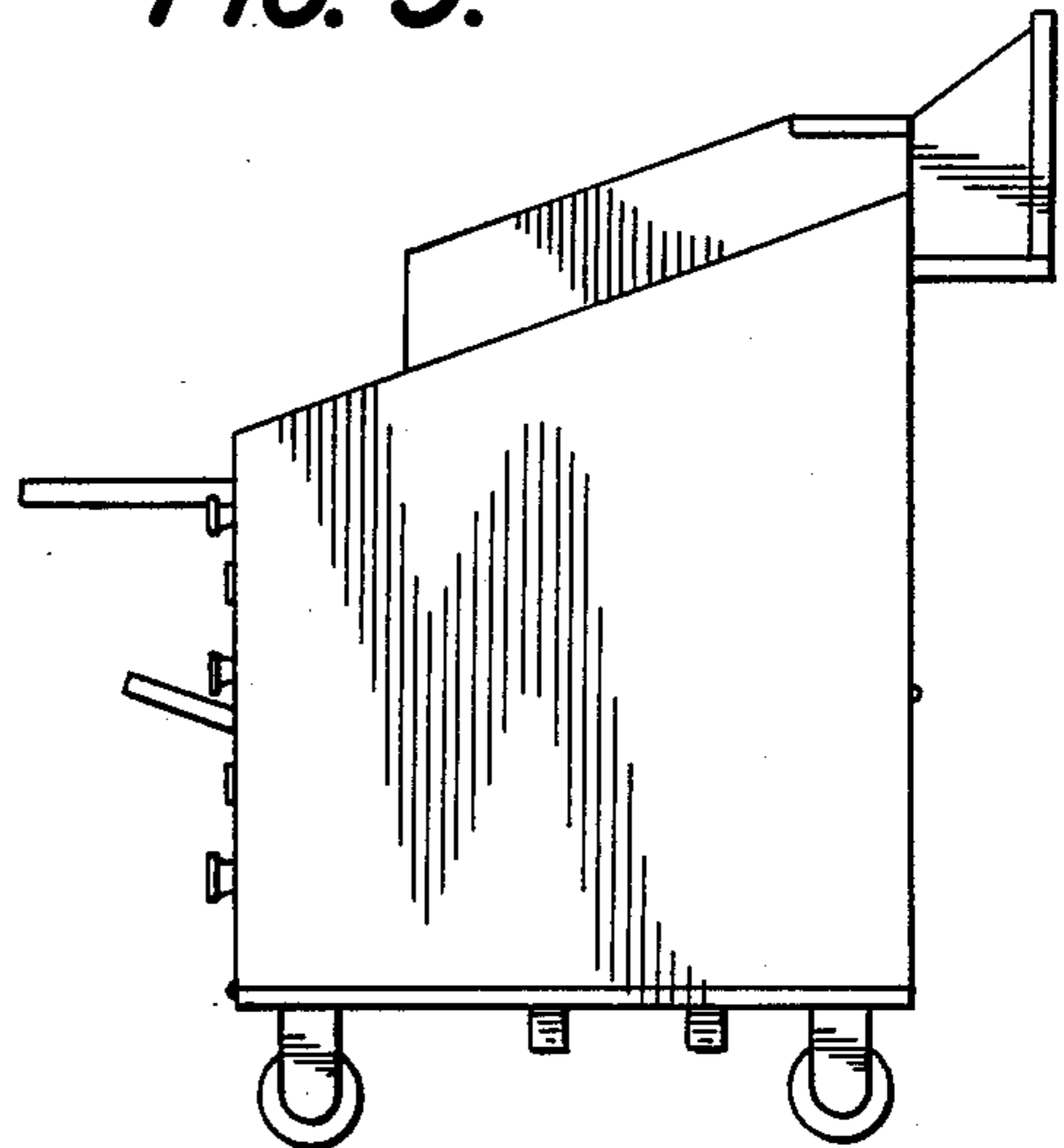


FIG. 6.

