

[54] ARMCHAIR

[75] Inventors: Raymond M. Carter, Marina Del Ray; Thomas E. Violand, Jr., Ventura; Charles W. Pelly, Calabasas, all of Calif.

[73] Assignee: Westinghouse Electric Corp., Pittsburgh, Pa.

[\*\*] Term: 14 Years

[21] Appl. No.: 916,672

[22] Filed: Oct. 7, 1986

[52] U.S. Cl. .... D6/366

[58] Field of Search ..... D6/365, 366, 367, 501

[56] References Cited

U.S. PATENT DOCUMENTS

D. 227,829	7/1973	Klosel .....	D6/366
D. 239,792	5/1976	Alessandri .....	D6/366
D. 245,886	9/1977	Wilson .....	D6/366
D. 254,640	4/1980	Deck et al. ....	D6/366
D. 260,205	8/1981	Buhk .....	D6/366
D. 274,483	7/1984	Caruso .....	D6/366
D. 292,351	10/1987	Brossard et al. ....	D6/366

OTHER PUBLICATIONS

*Interiors* Feb. 1983, p. 26; "The Anthropom Chair" center of page.

*Primary Examiner*—Carmen H. Vales-Lado  
*Attorney, Agent, or Firm*—D. R. Lackey

[57] CLAIM

The ornamental design for an armchair, as shown and described.

DESCRIPTION

FIG. 1 is a side elevational view of an armchair showing our design;  
 FIG. 2 is a front elevational view thereof;  
 FIG. 3 is a top plan view thereof;  
 FIG. 4 is a rear elevational view thereof;  
 FIG. 5 is a side elevational view of a second embodiment of the armchair shown in FIG. 1;  
 FIG. 6 is a front elevational view thereof;  
 FIG. 7 is a top plan view thereof;  
 FIG. 8 is a rear elevational view thereof;  
 FIG. 9 is a side elevational view of a third embodiment of the armchair shown in FIG. 1;  
 FIG. 10 is a front elevational view thereof;  
 FIG. 11 is a top plan view thereof; and  
 FIG. 12 is a rear elevational view thereof.



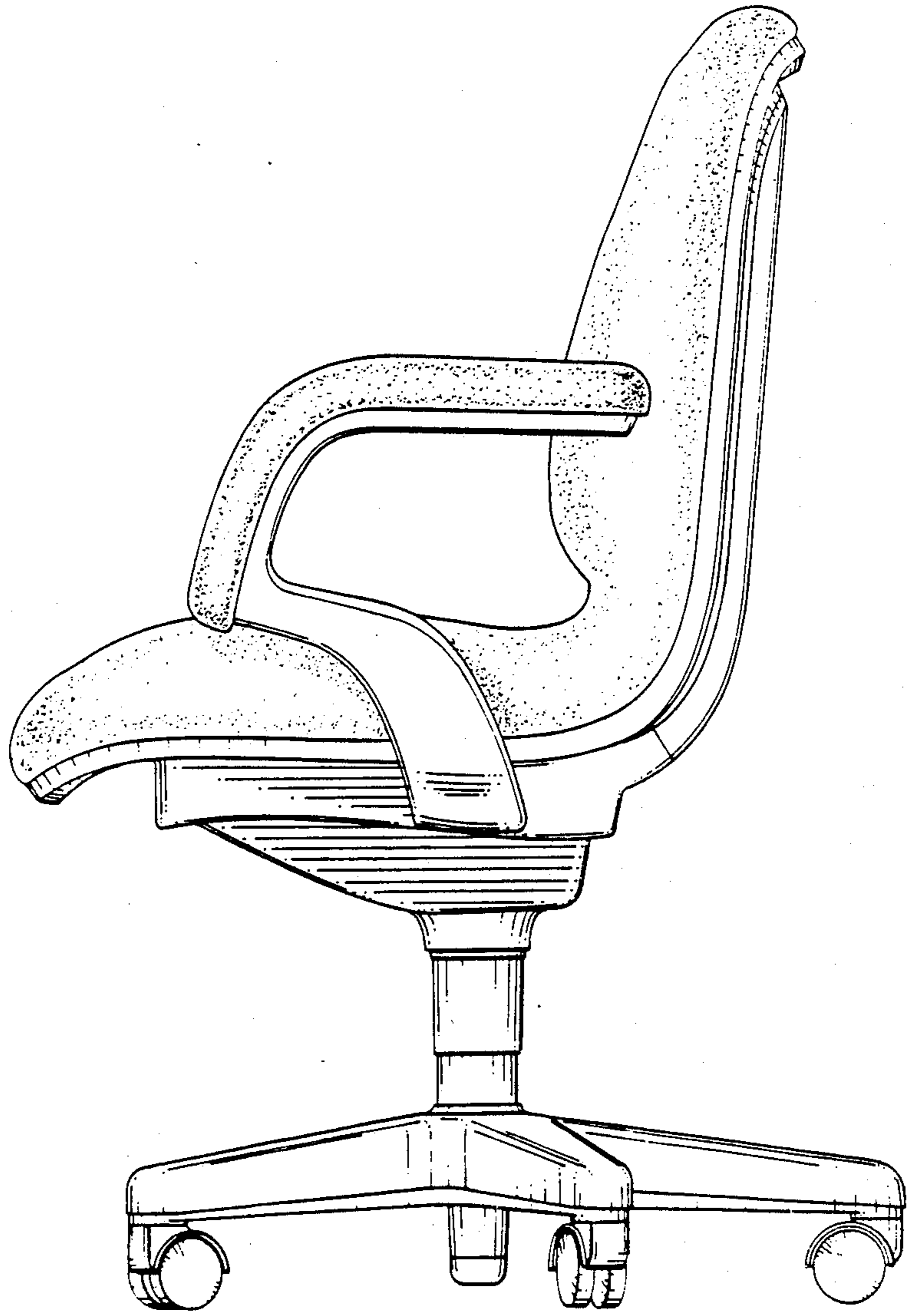


FIG. 1

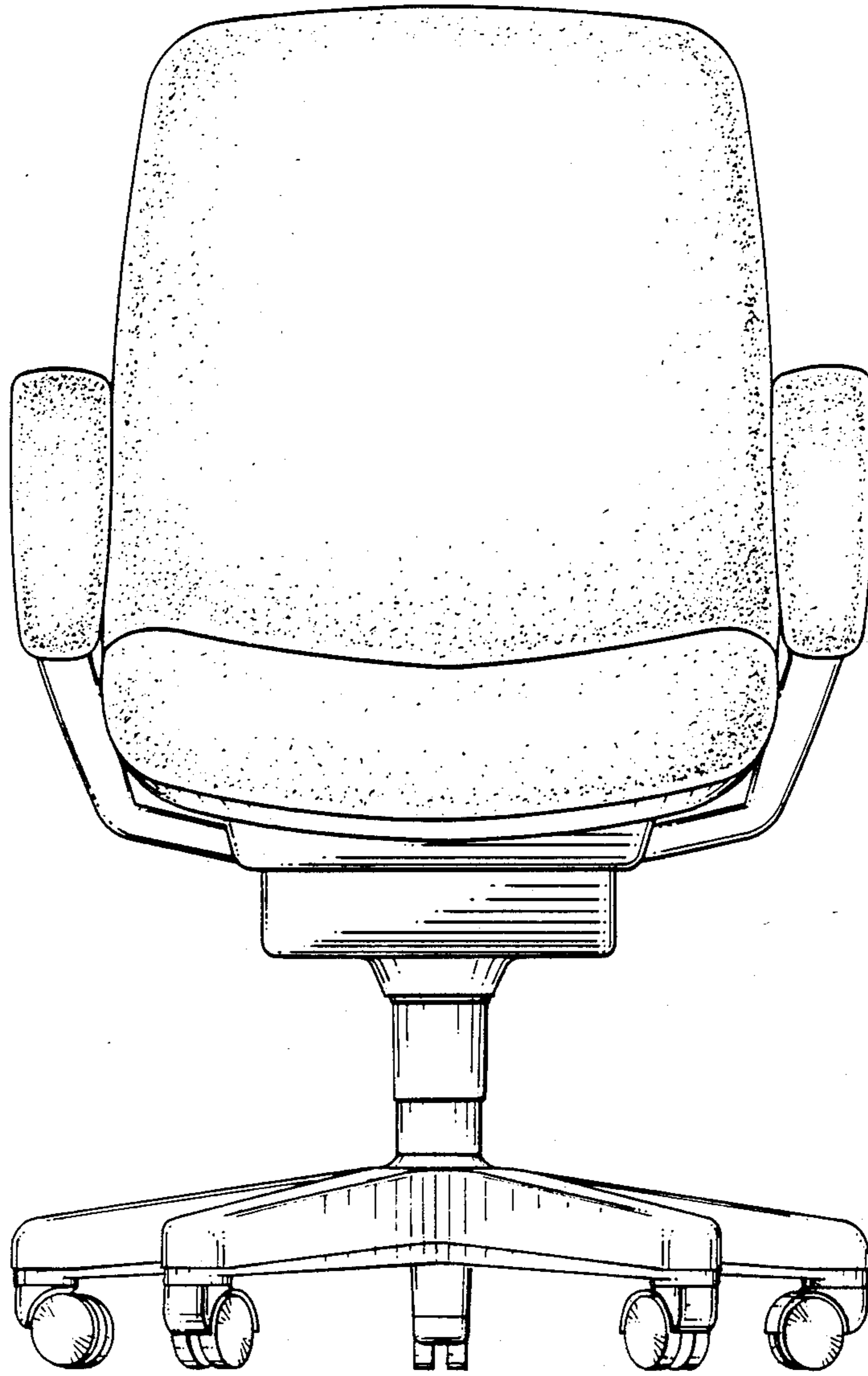


FIG. 2

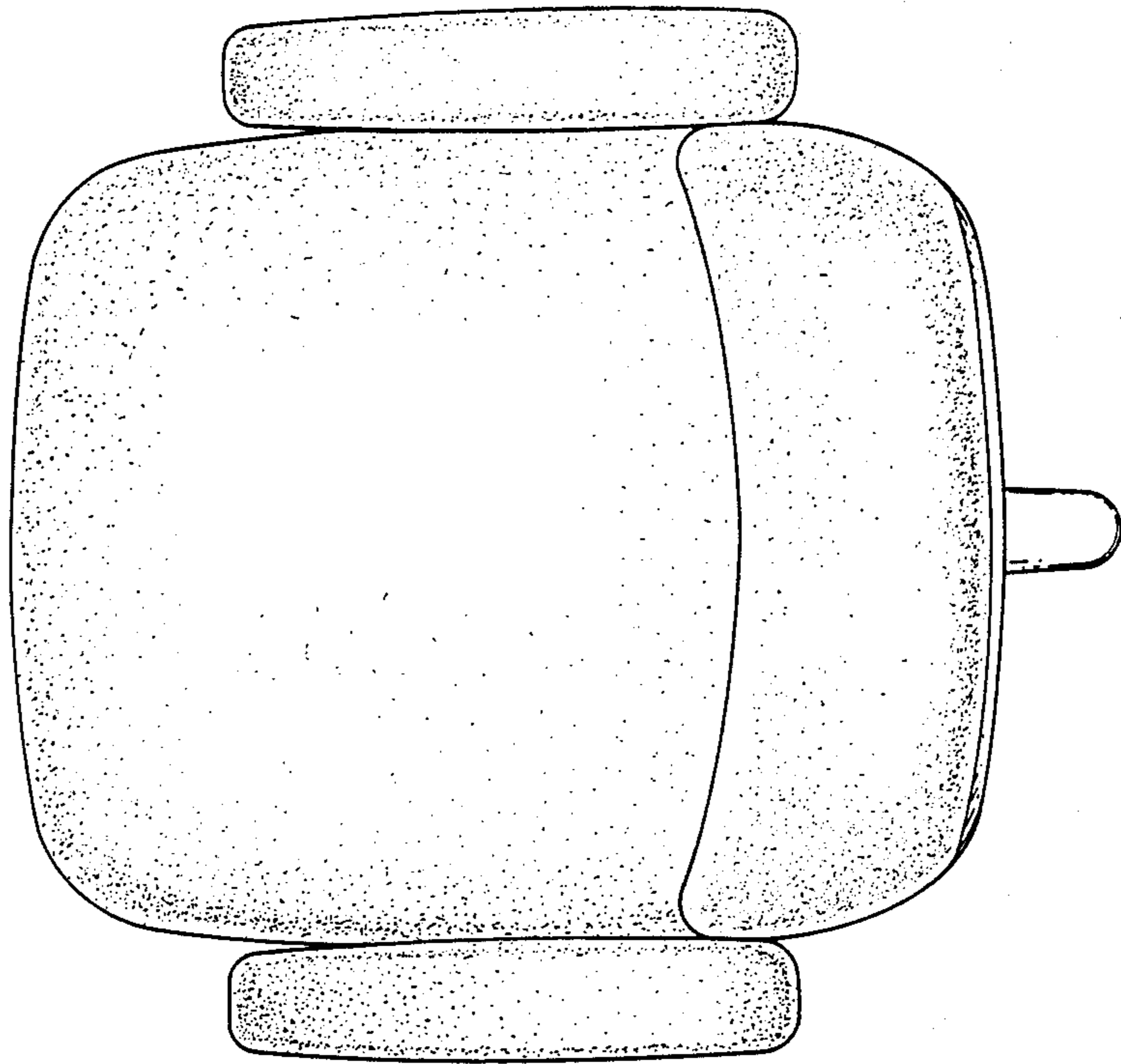


FIG. 3

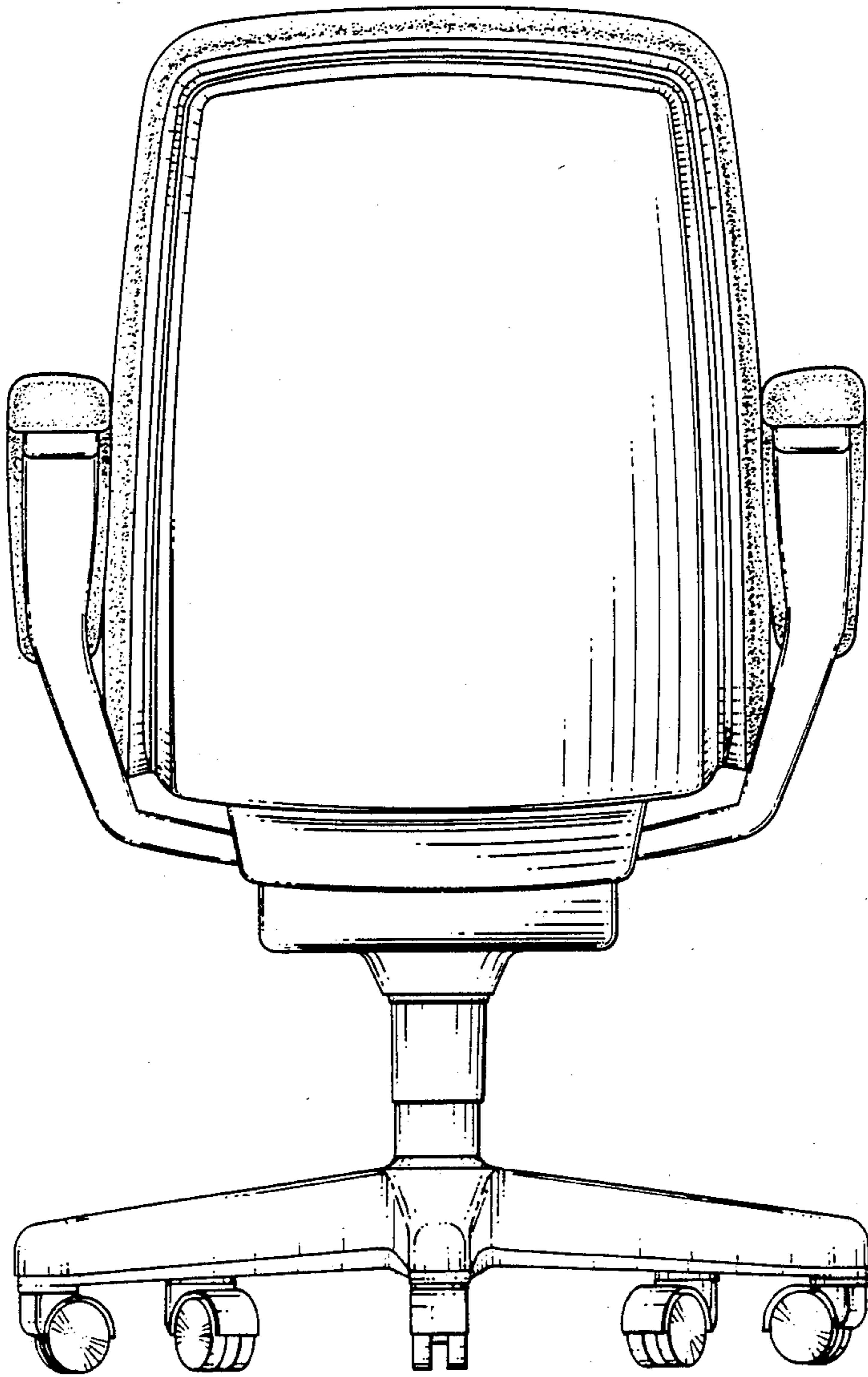


FIG. 4

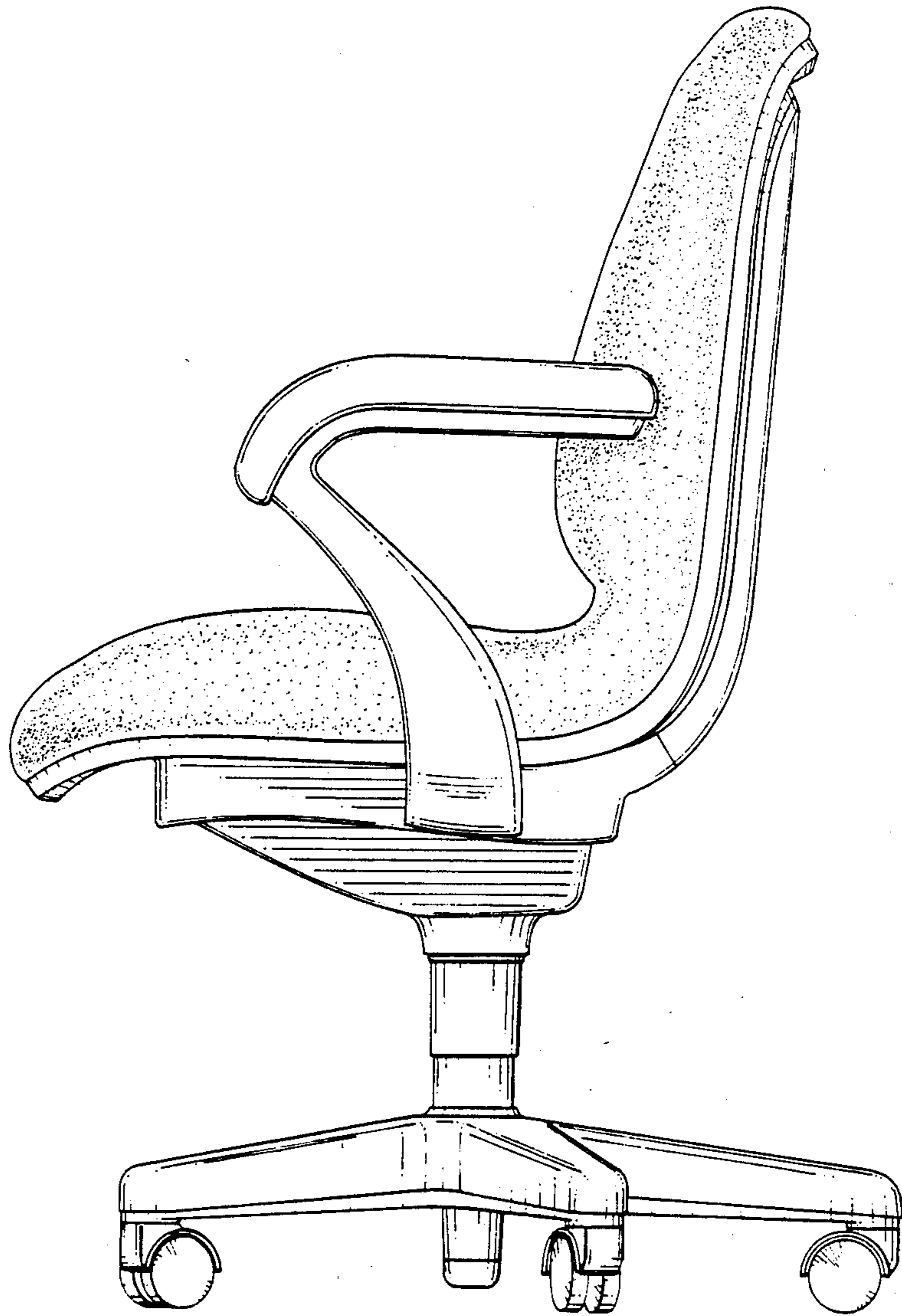


FIG. 5

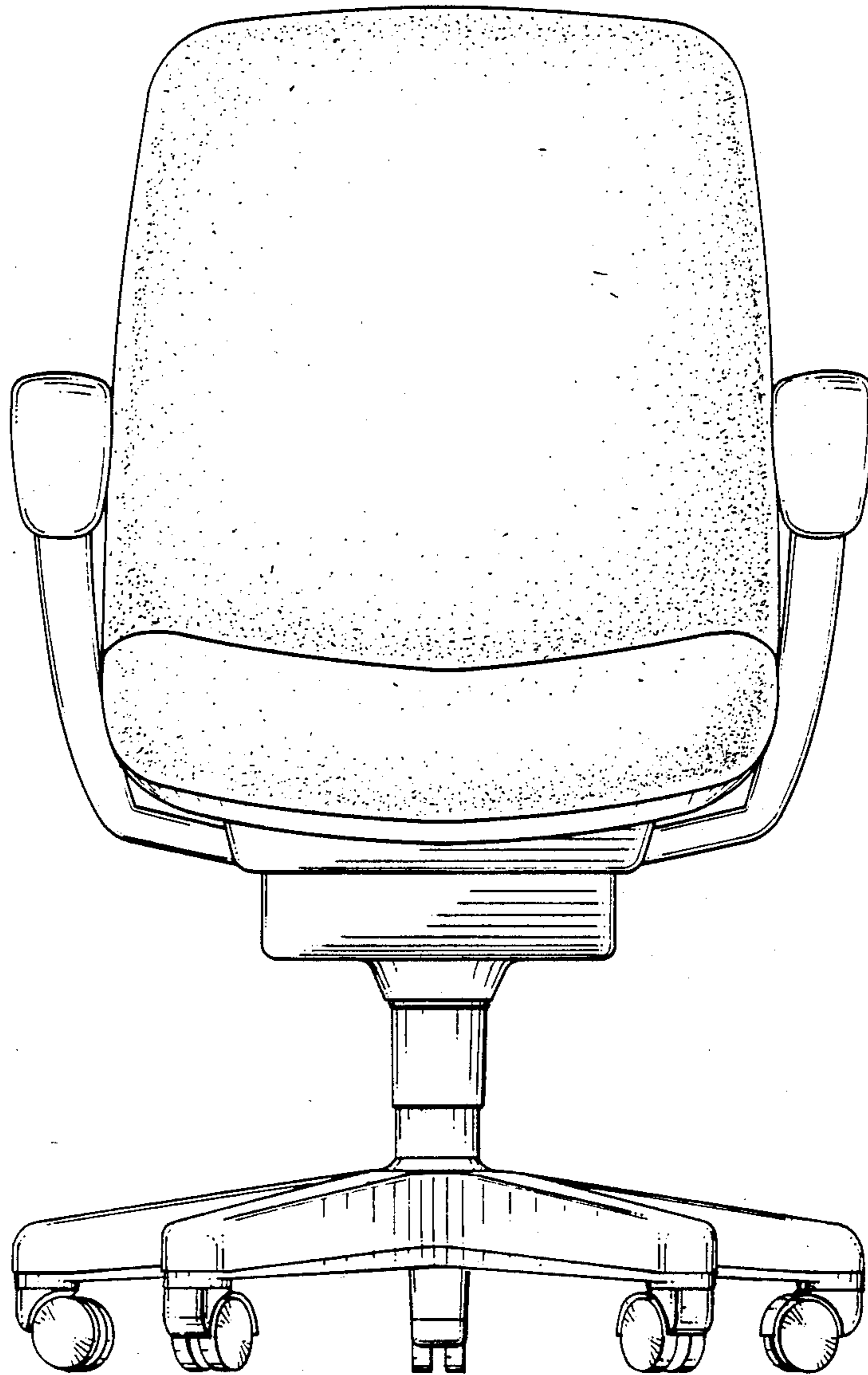


FIG. 6

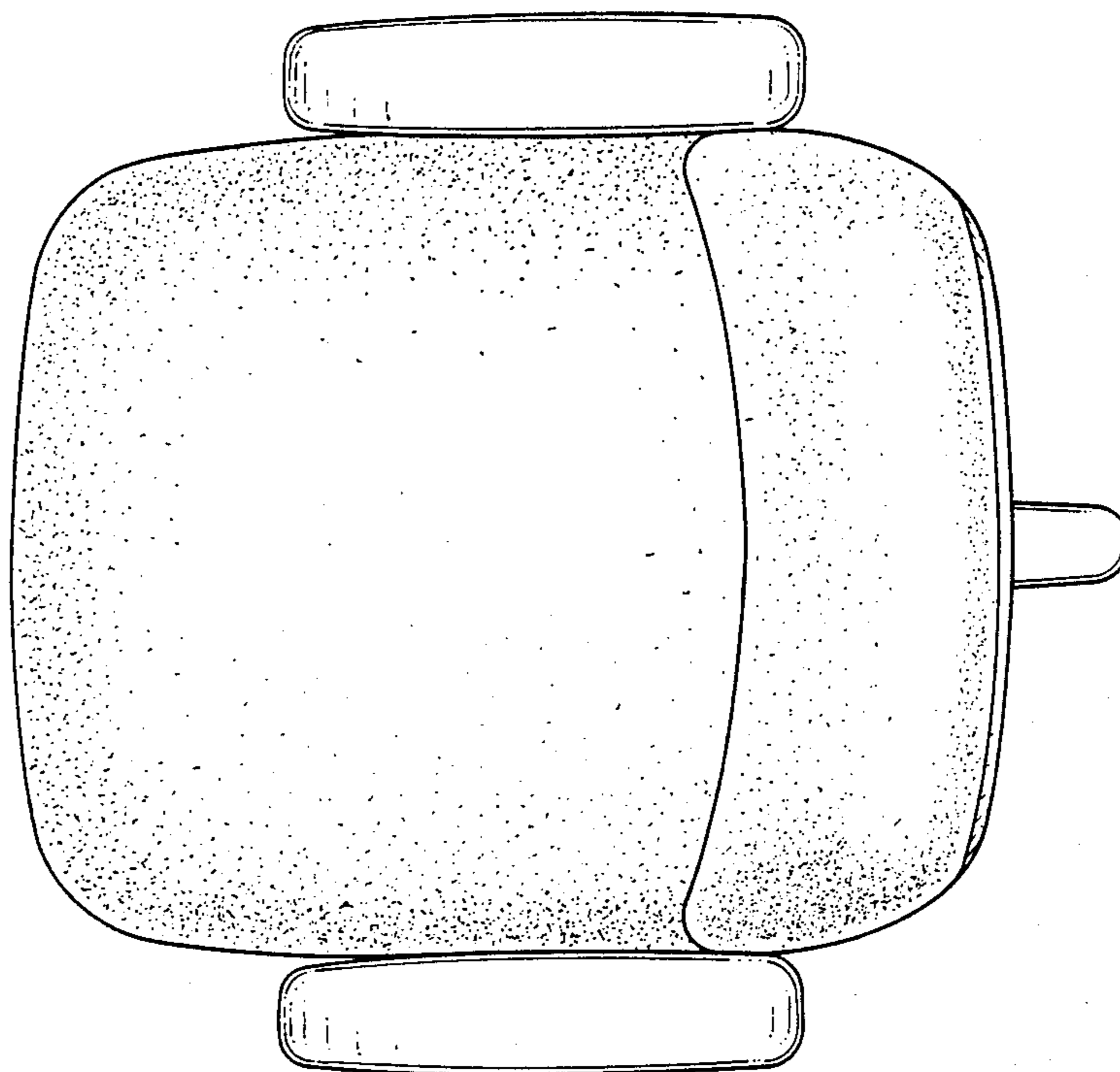


FIG. 7



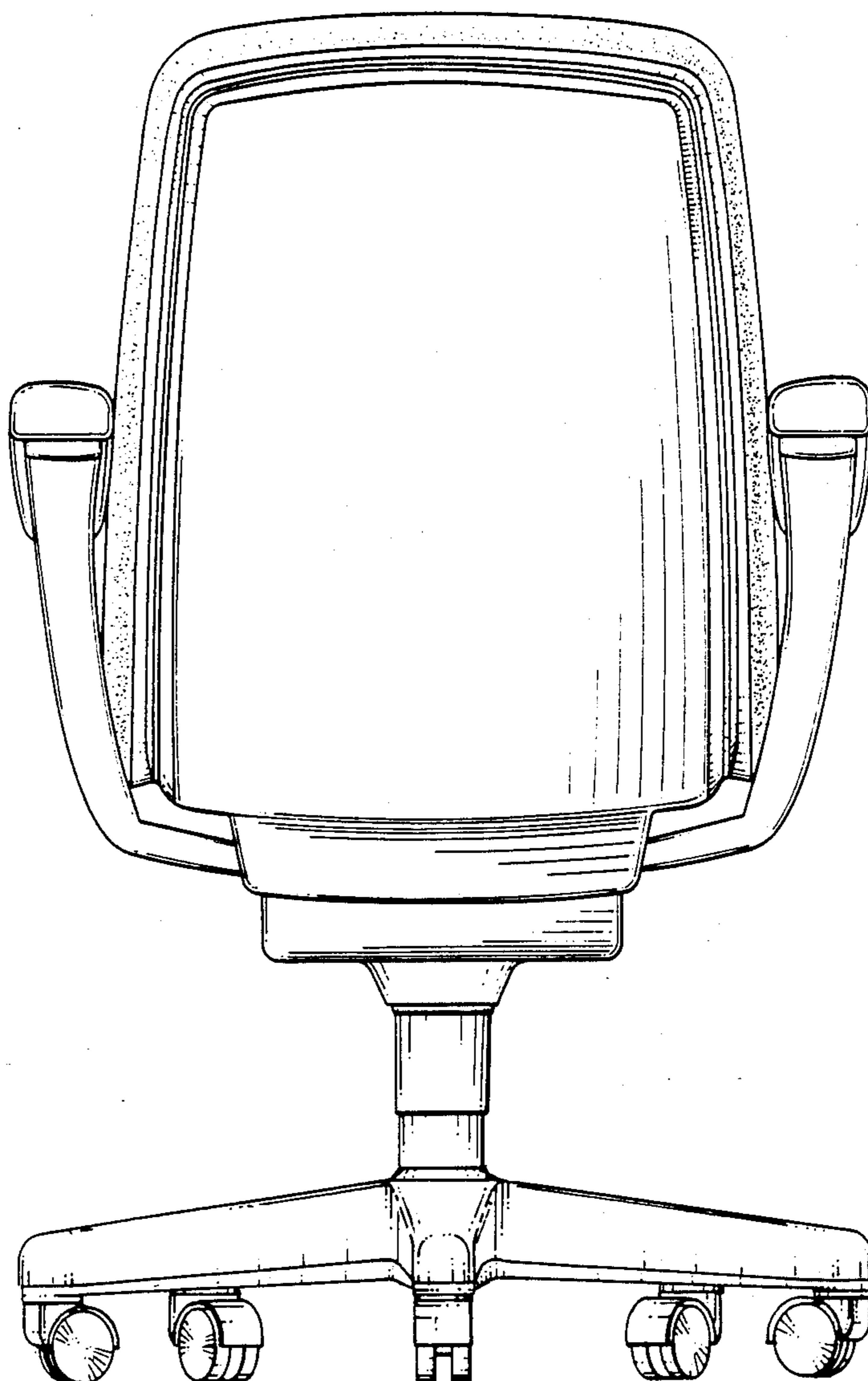


FIG. 8

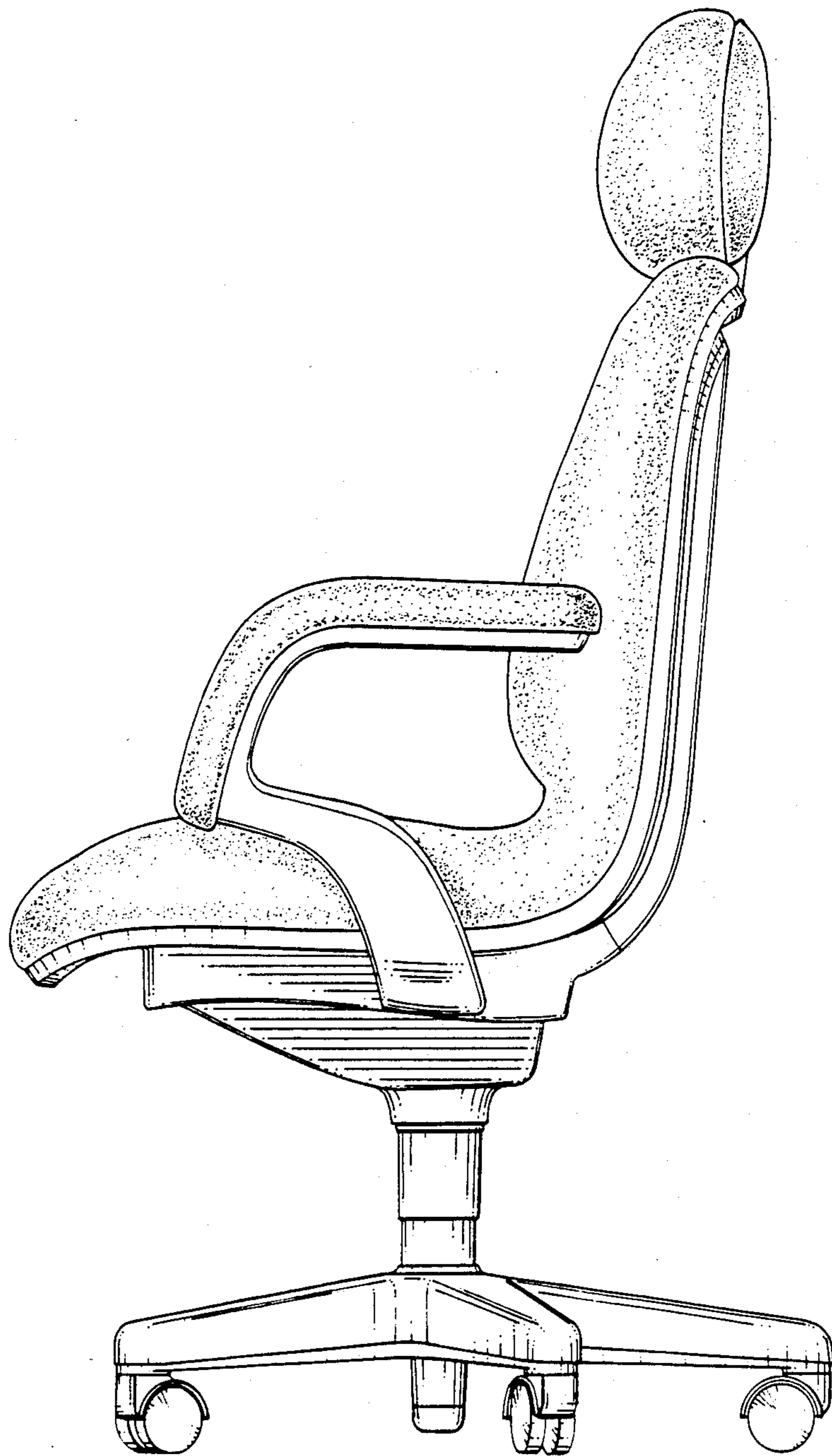


FIG. 9

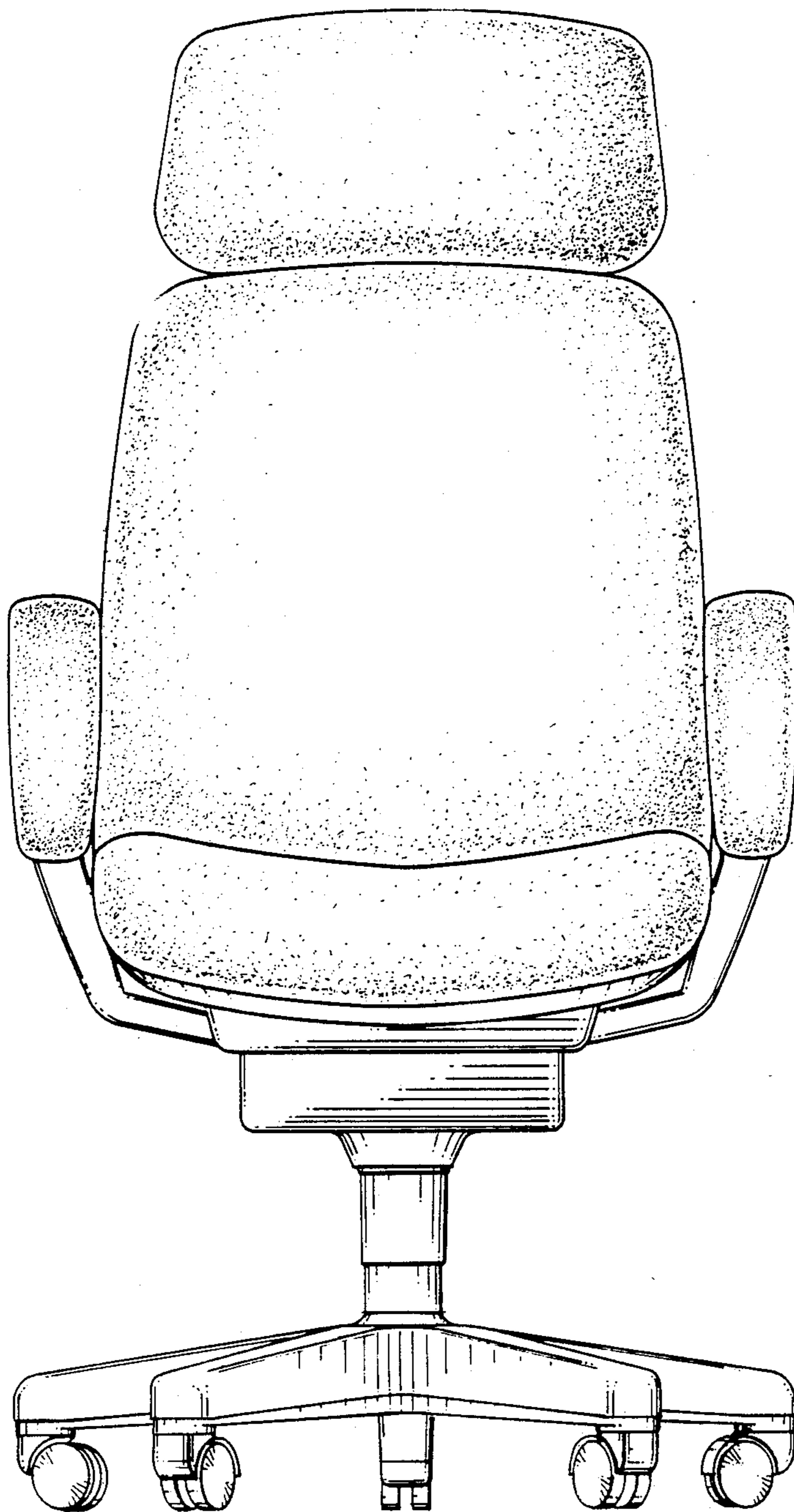


FIG. 10

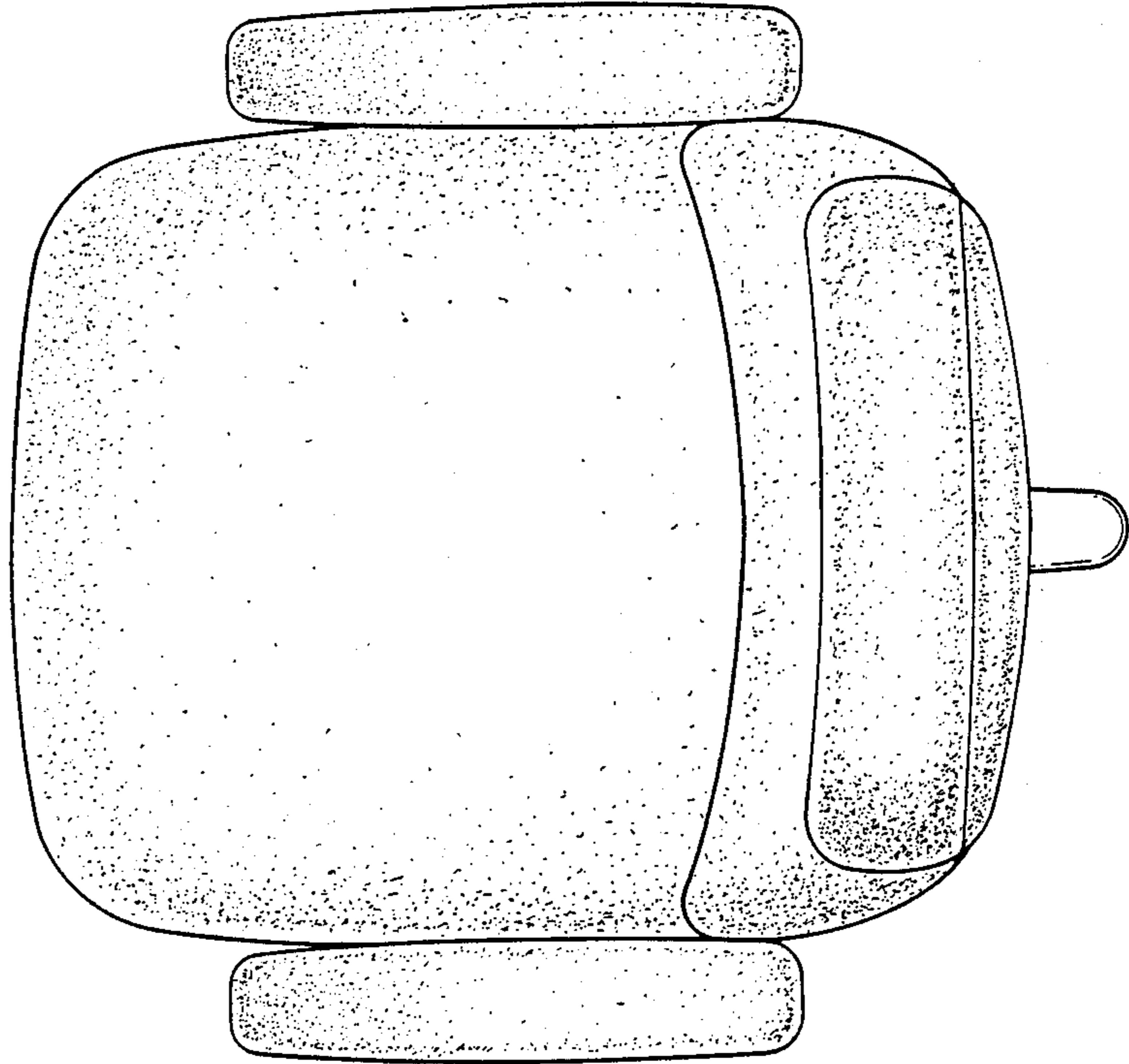


FIG. II

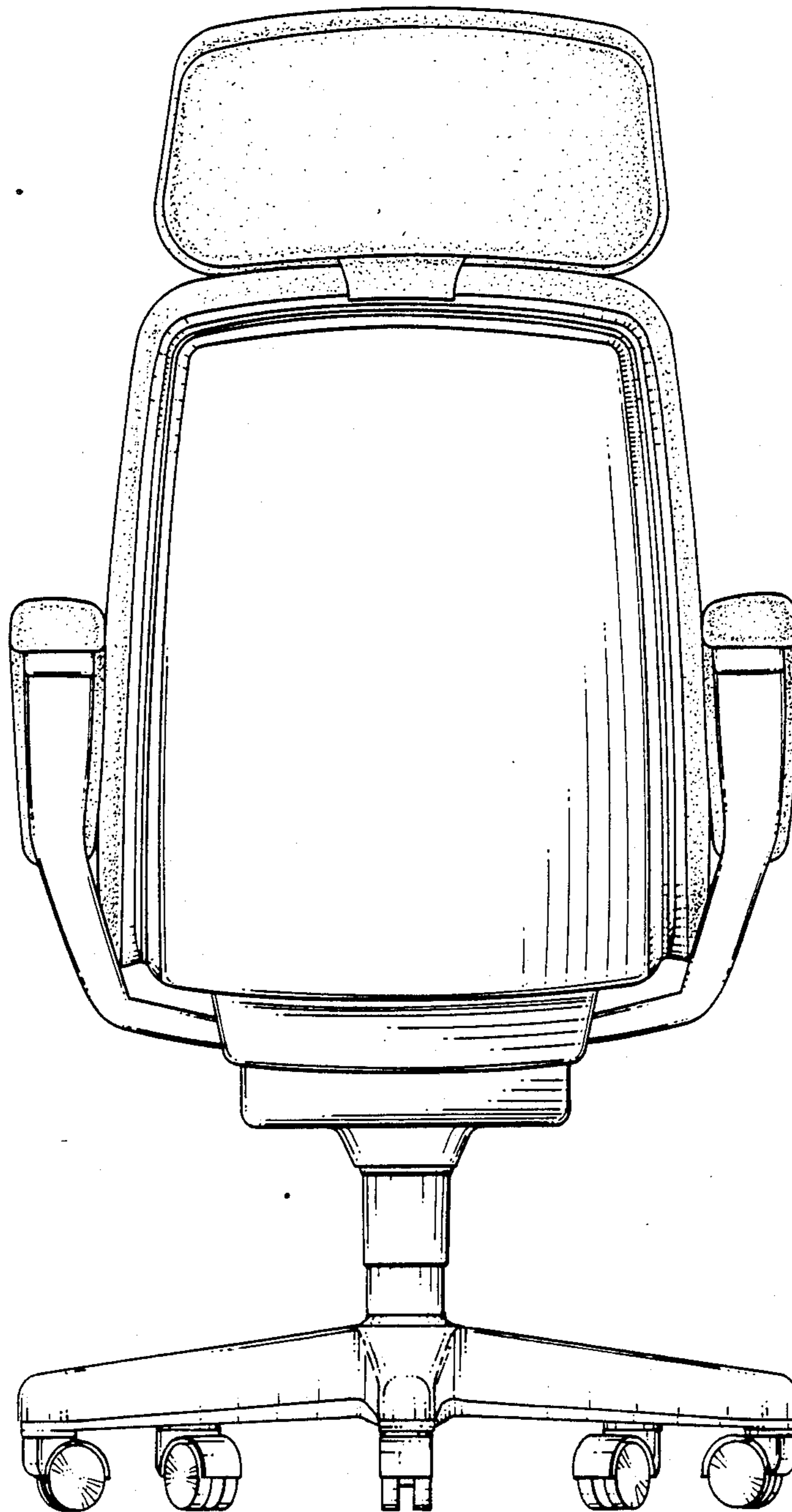


FIG. 12