

[54] TRASH CONTAINER CART

4,357,029 11/1982 Marini et al. 280/47.19
4,809,798 3/1989 Moist et al. 280/47.26

[75] Inventor: Samuel J. Marini, Marlton, N.J.

Primary Examiner—Wallace R. Burke
Assistant Examiner—Kay H. Chin
Attorney, Agent, or Firm—Norman E. Lehrer

[73] Assignee: Cushionite, Inc., Blackwood, N.J.

[**] Term: 14 Years

[57] CLAIM

[21] Appl. No.: 116,743

The ornamental design for a trash container cart, as shown and described.

[22] Filed: Nov. 2, 1987

[52] U.S. Cl. D34/6; D34/26

[58] Field of Search D34/1, 5, 6, 26;
280/47.19, 47.26; 248/DIG. 7, 98, 129; 220/1
T, 212

DESCRIPTION

FIG. 1 is a left side elevational view of a trash container cart showing my new design, the right side elevational view being a mirror image of that shown; FIG. 2 is a top plan view thereof; FIG. 3 is a bottom plan view thereof; FIG. 4 is a front elevational view thereof; FIG. 5 is a rear elevational view thereof, and FIG. 6 is a front perspective view thereof, the broken lines are for illustrative purposes only and form no part of the claimed design.

[56] References Cited

U.S. PATENT DOCUMENTS

D. 231,722	6/1974	Mockler	D34/5
2,855,210	10/1958	Joyce	280/47.26
3,111,333	11/1963	Marini et al.	280/47.26
3,280,988	10/1966	Bennett	280/47.26

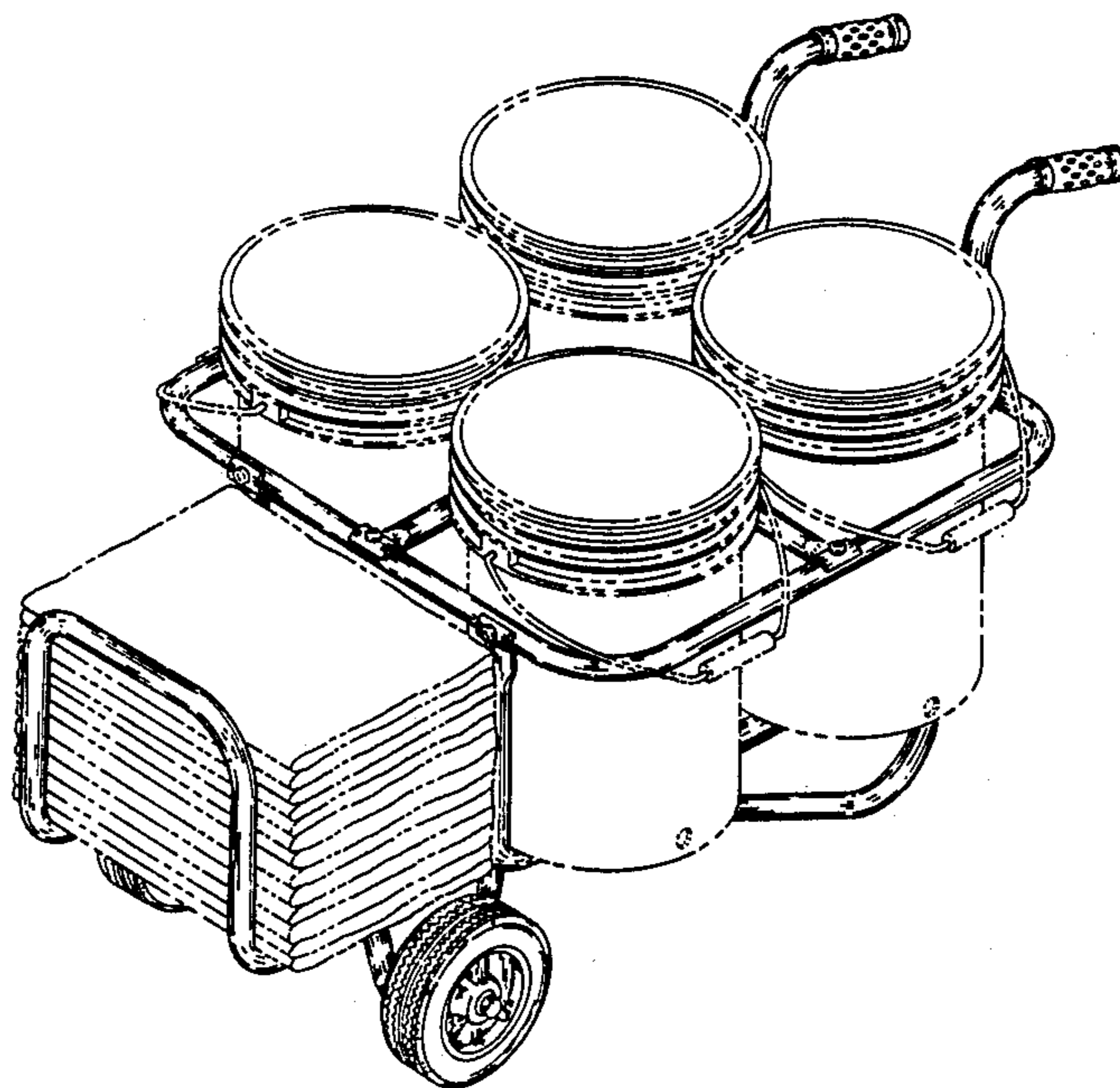


Fig. 1

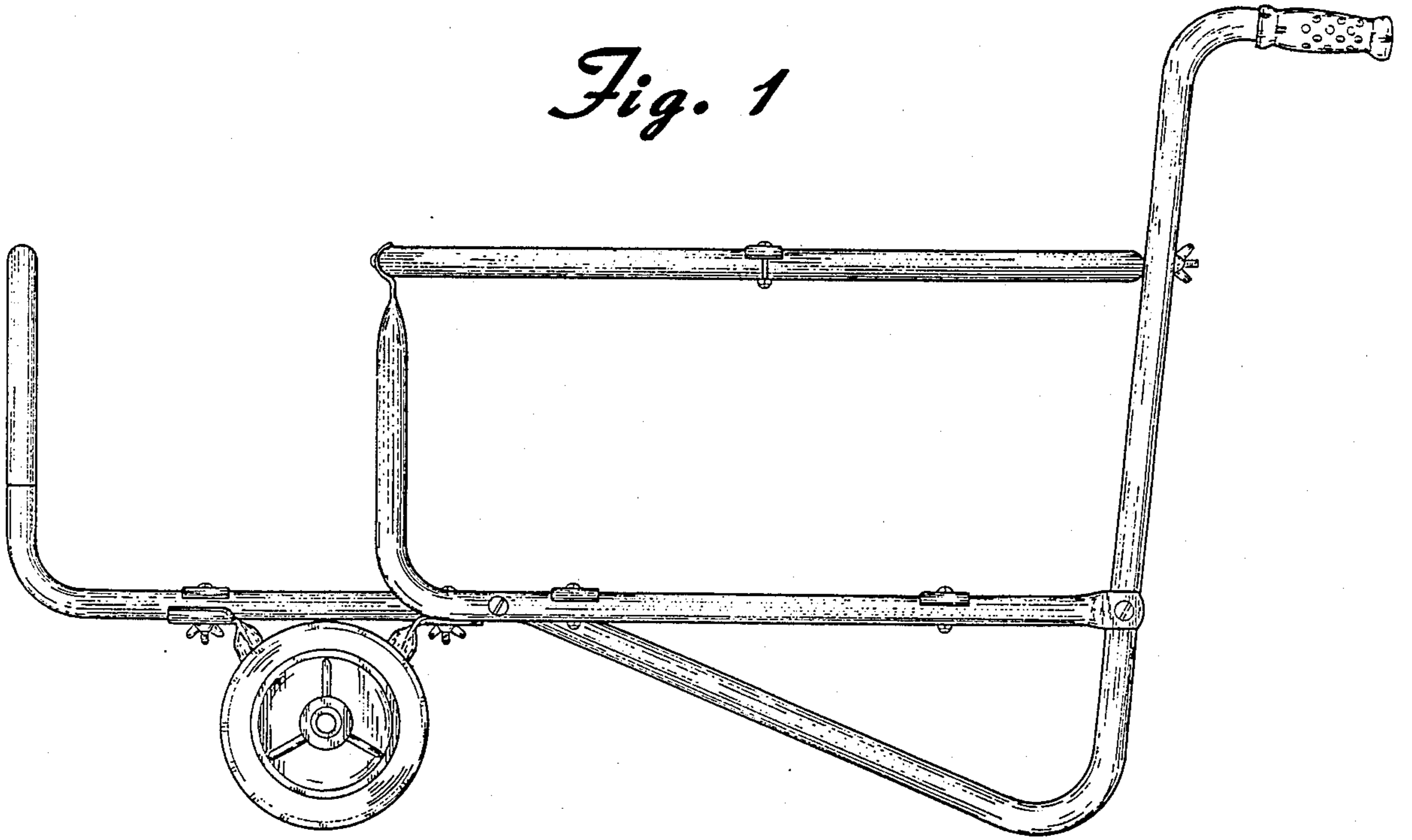


Fig. 2

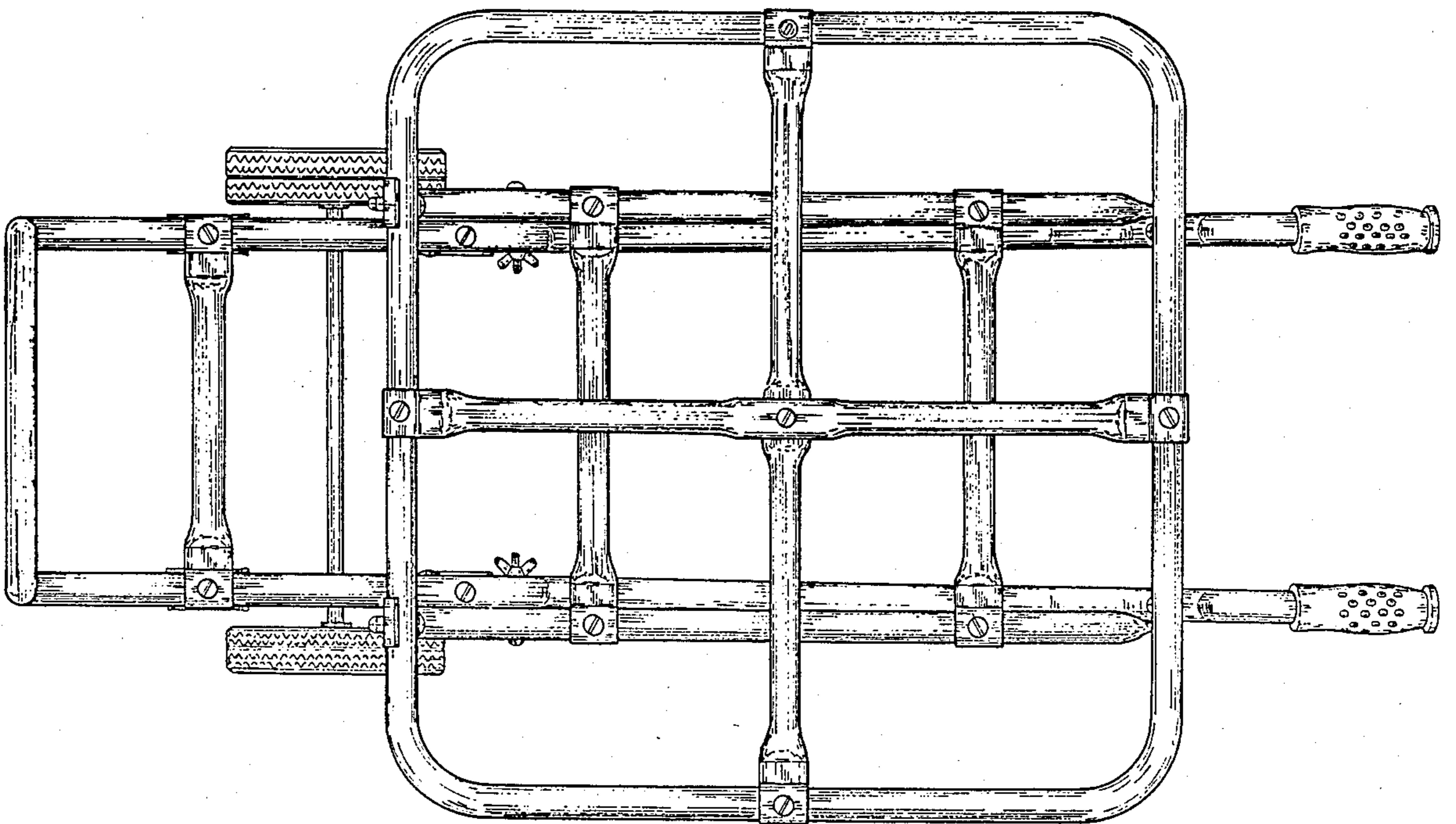


Fig. 3

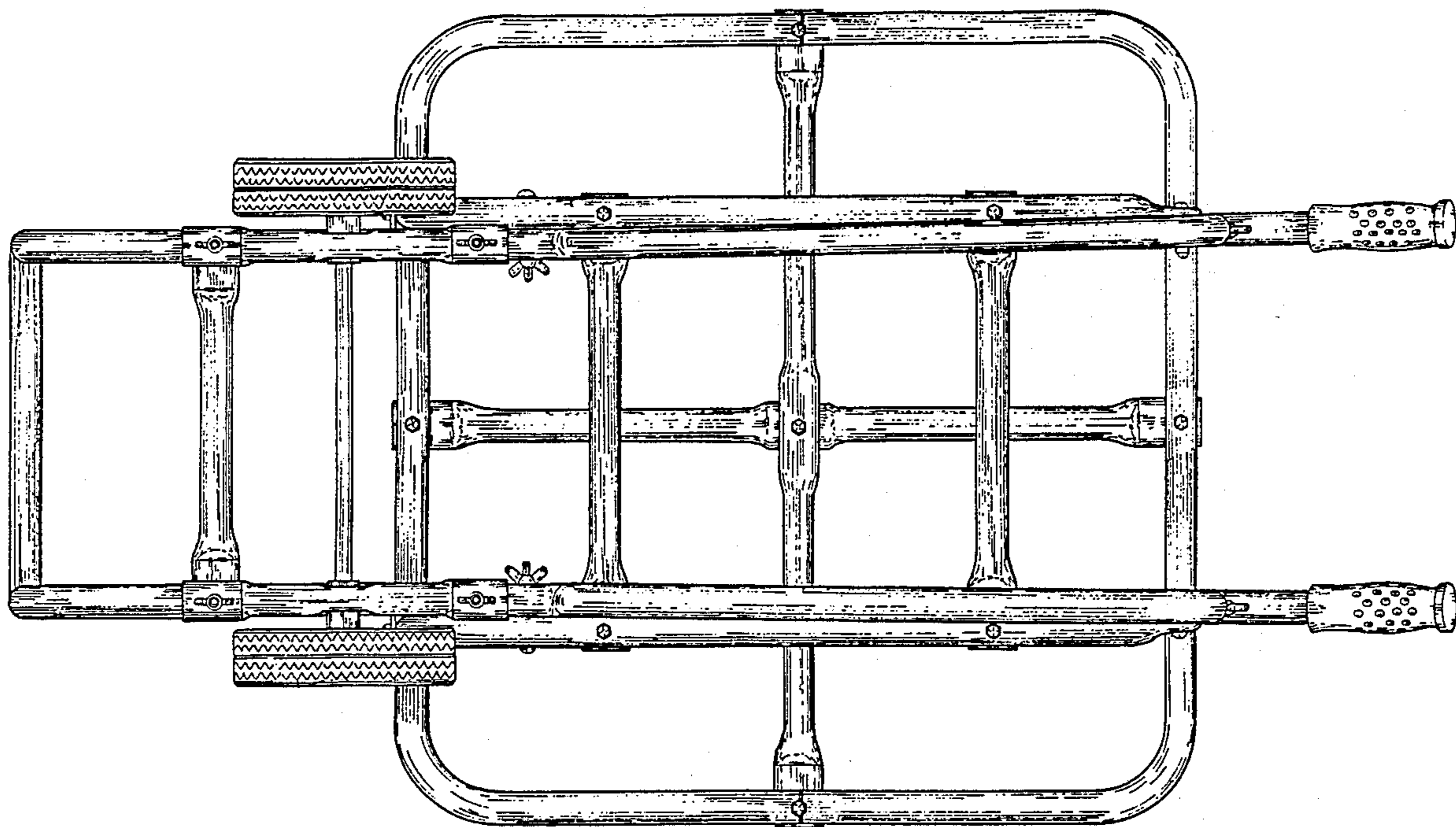


Fig. 4

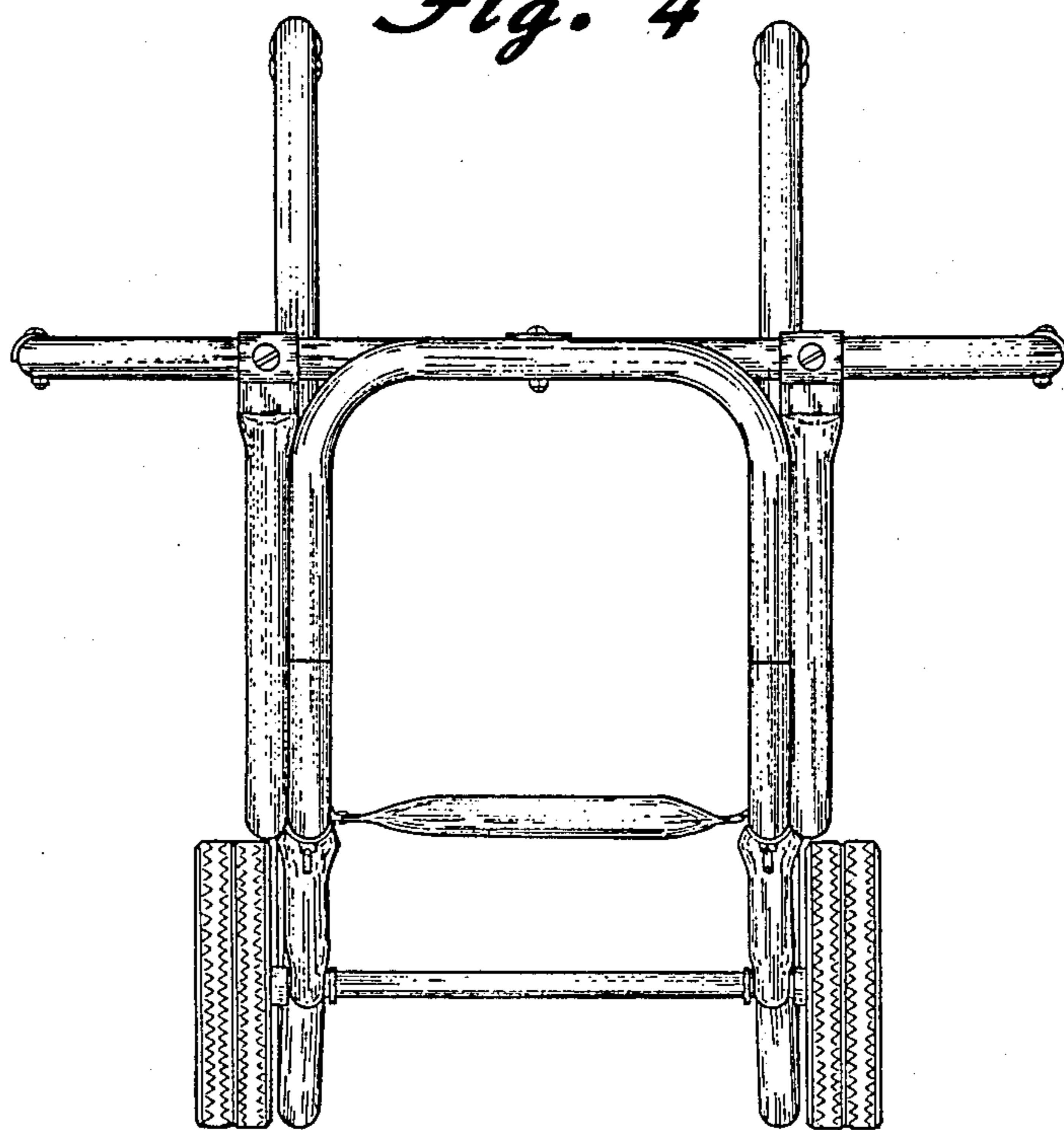


Fig. 5

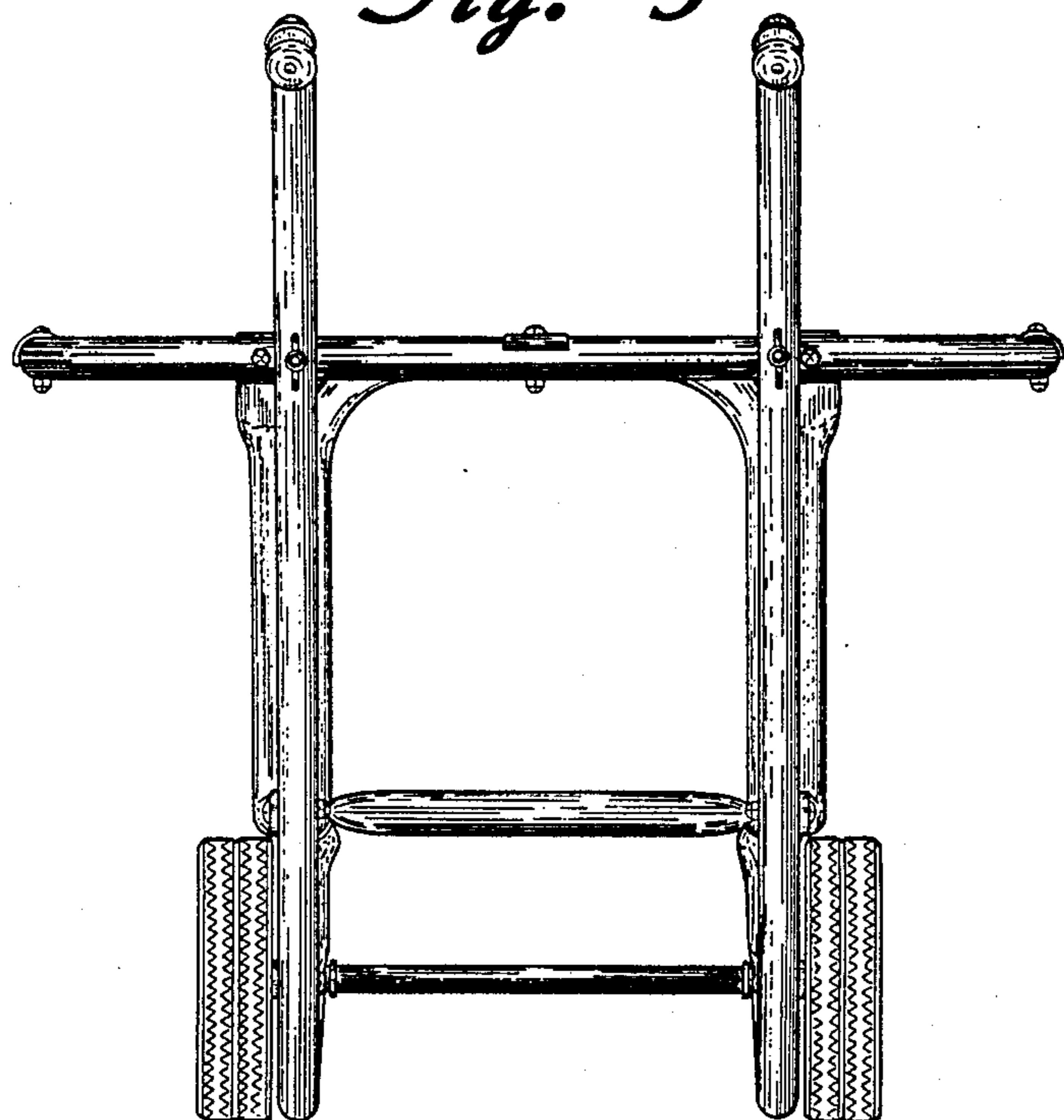


Fig. 6

