

[54] MOP WRINGER

[75] Inventors: Philip Jaros, Gloversville; Paul O. Wright, Schenectady, both of N.Y.

[73] Assignee: White Mop Wringer Company, Tampa, Fla.

[\*\*] Term: 14 Years

[21] Appl. No.: 24,806

[22] Filed: Mar. 12, 1987

[52] U.S. Cl. .... D32/54

[58] Field of Search ..... D32/54; 15/260-263

[56] References Cited

U.S. PATENT DOCUMENTS

D. 250,507	12/1978	Rafoery et al. ....	D32/54
D. 255,976	7/1980	Maza et al. ....	D32/54
D. 296,254	6/1988	Jaros et al. ....	D32/54
877,149	1/1908	Wetmore ....	15/261
1,493,926	5/1924	Eiffe ....	D32/54 X
1,831,135	11/1931	Pehrsson ....	15/261
4,047,261	9/1977	Rones ....	15/261

OTHER PUBLICATIONS

"Downward-Pressure Wringers", Ultra, Stock No. 1410, Geerpres Corporation, 1983, p. 2.

"Continental's Full Line of Structolene Mop Wringers", Continental Manufacturing Company, 1983, Cat. Nos. SW-1, SW-2, SW-3 and SW-4.

"White" product brochure, White Mop Wringer Company, 1980, pp. 10-11, White's 3000; Plastic Wringers and Buckets.

Primary Examiner—Wallace R. Burke  
Assistant Examiner—Lavone D. Tabor  
Attorney, Agent, or Firm—Robert R. Jackson

[57] CLAIM

The ornamental design for a mop wringer, as shown and described.

DESCRIPTION

FIG. 1 is a front perspective view of a mop wringer showing our new design;

FIG. 2 is a rear perspective view thereof;

FIG. 3 is a side elevational view thereof.

FIG. 4 is a front elevational view thereof.

FIG. 5 is a rear elevational view thereof.

FIG. 6 is a top plan view thereof.

FIG. 7 is a bottom plan view thereof.

The handle is partially shown in FIGS. 3-7 for ease of illustration.

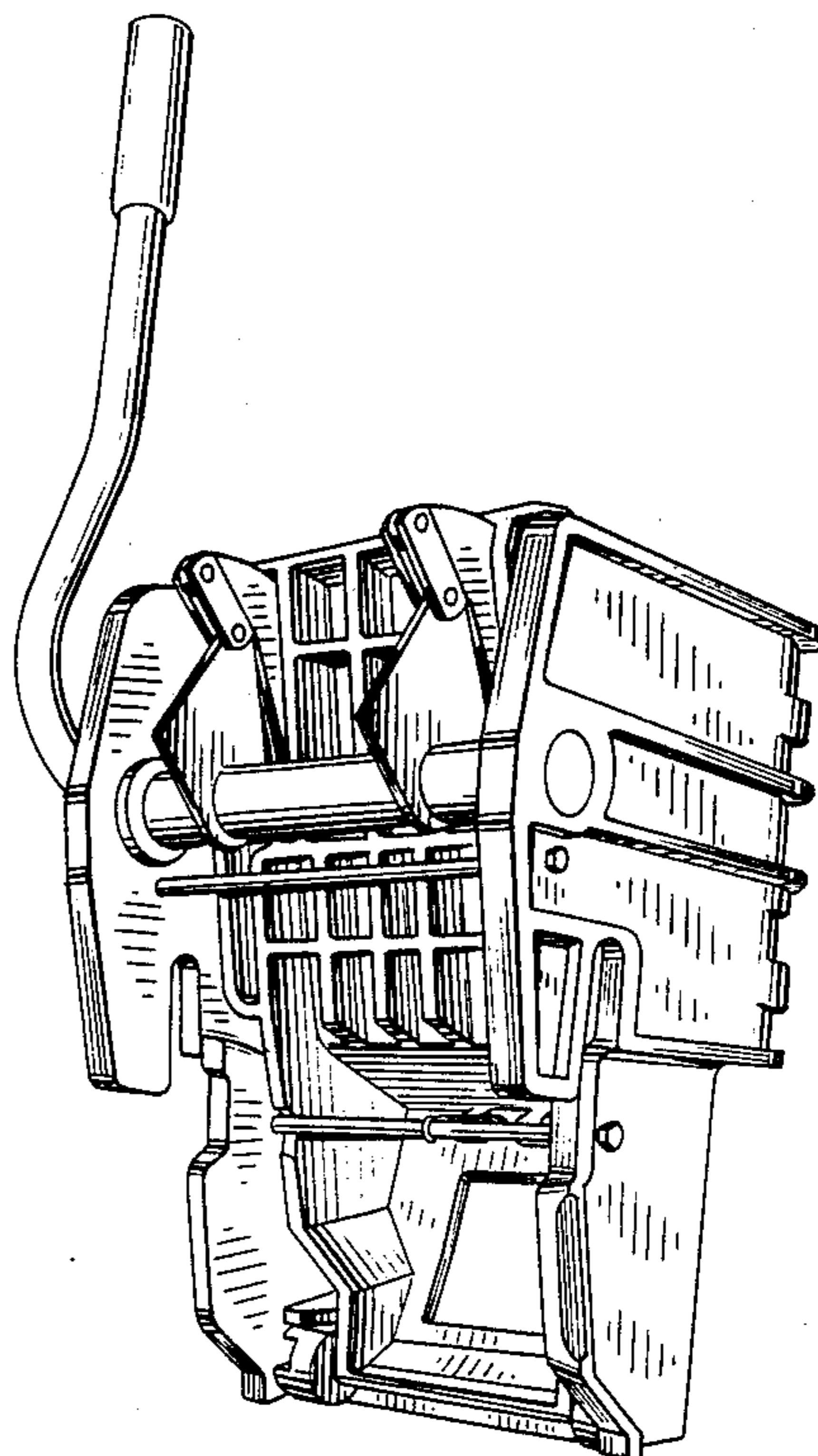
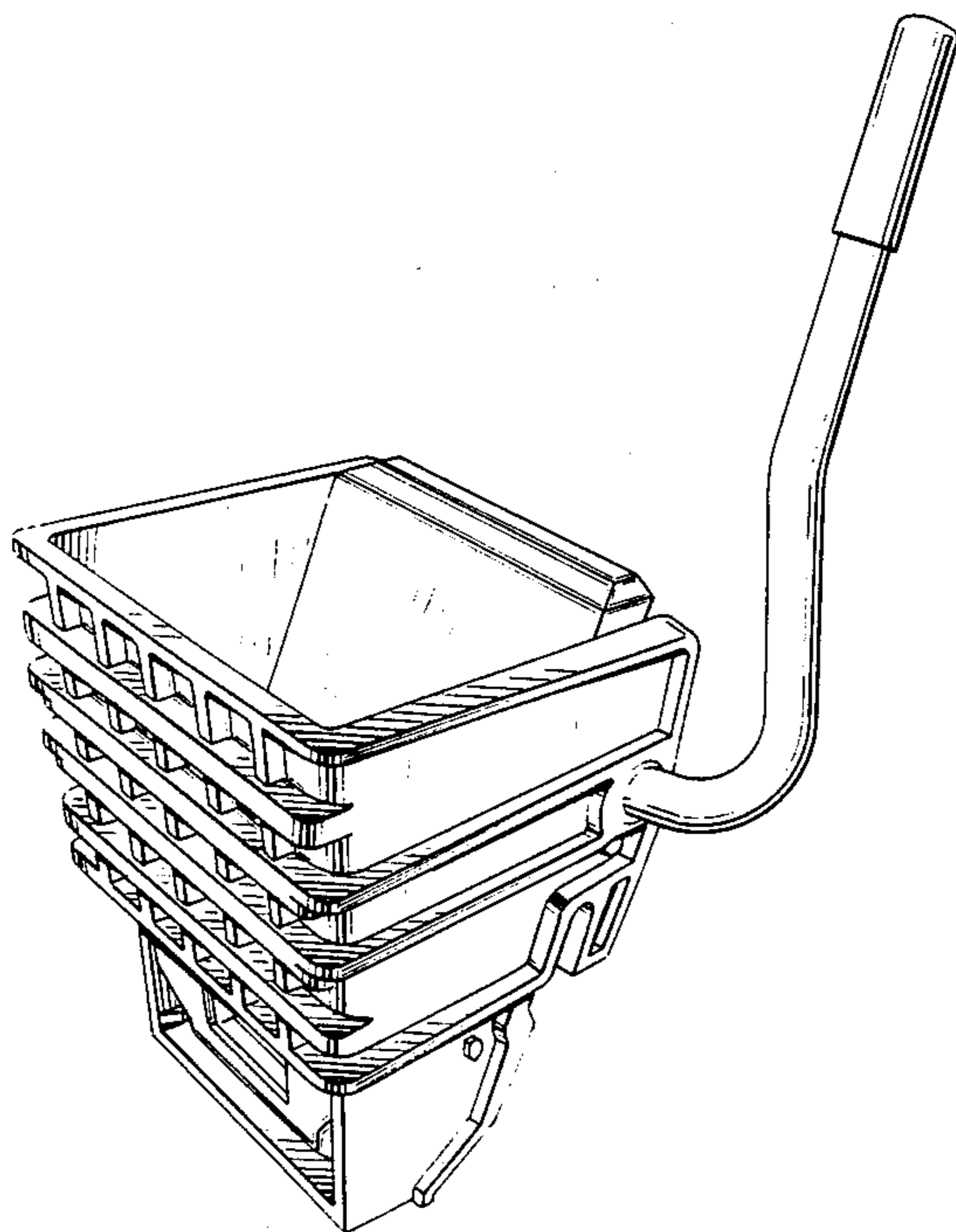


Fig. 1.

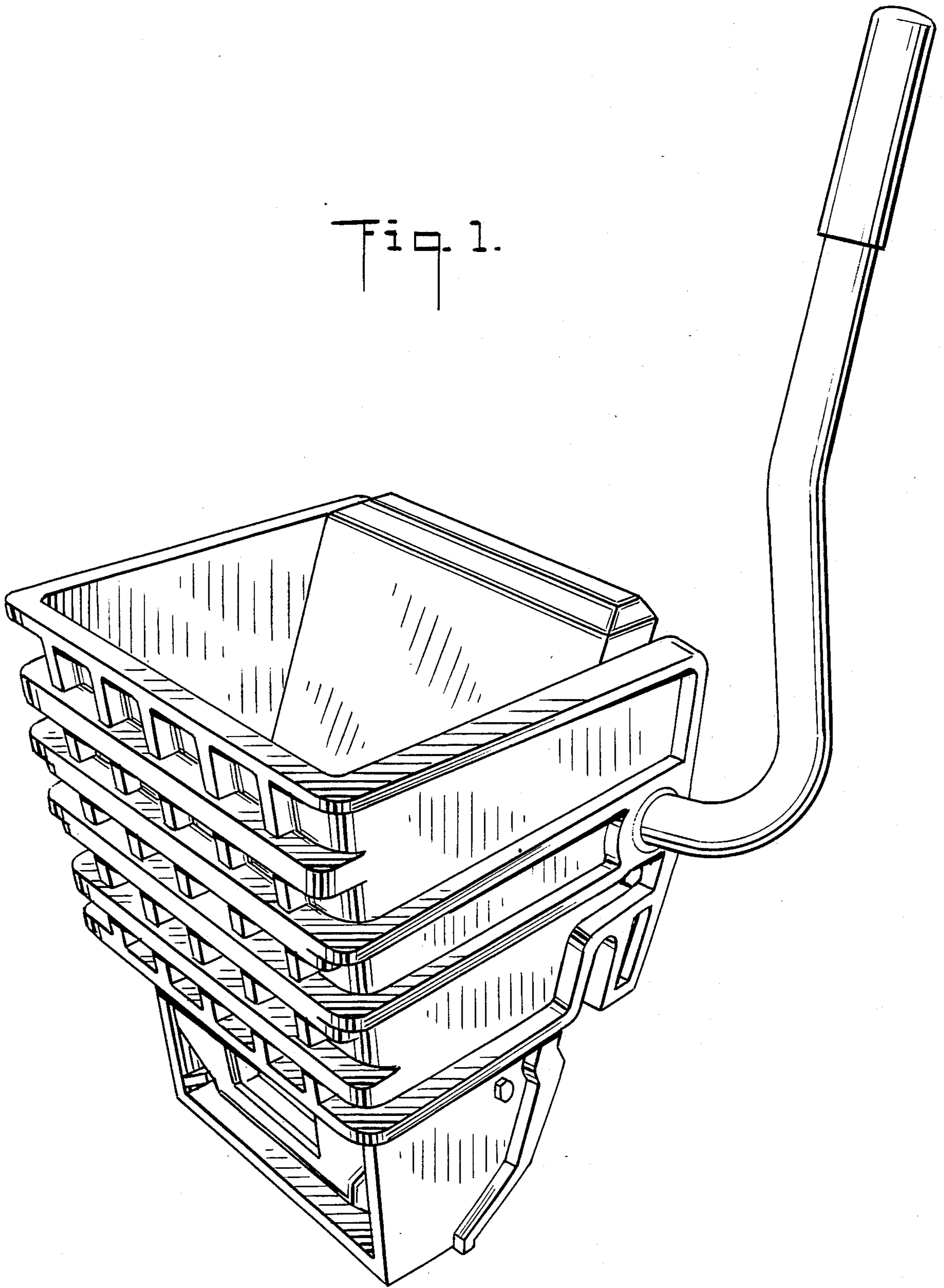


Fig. 2.

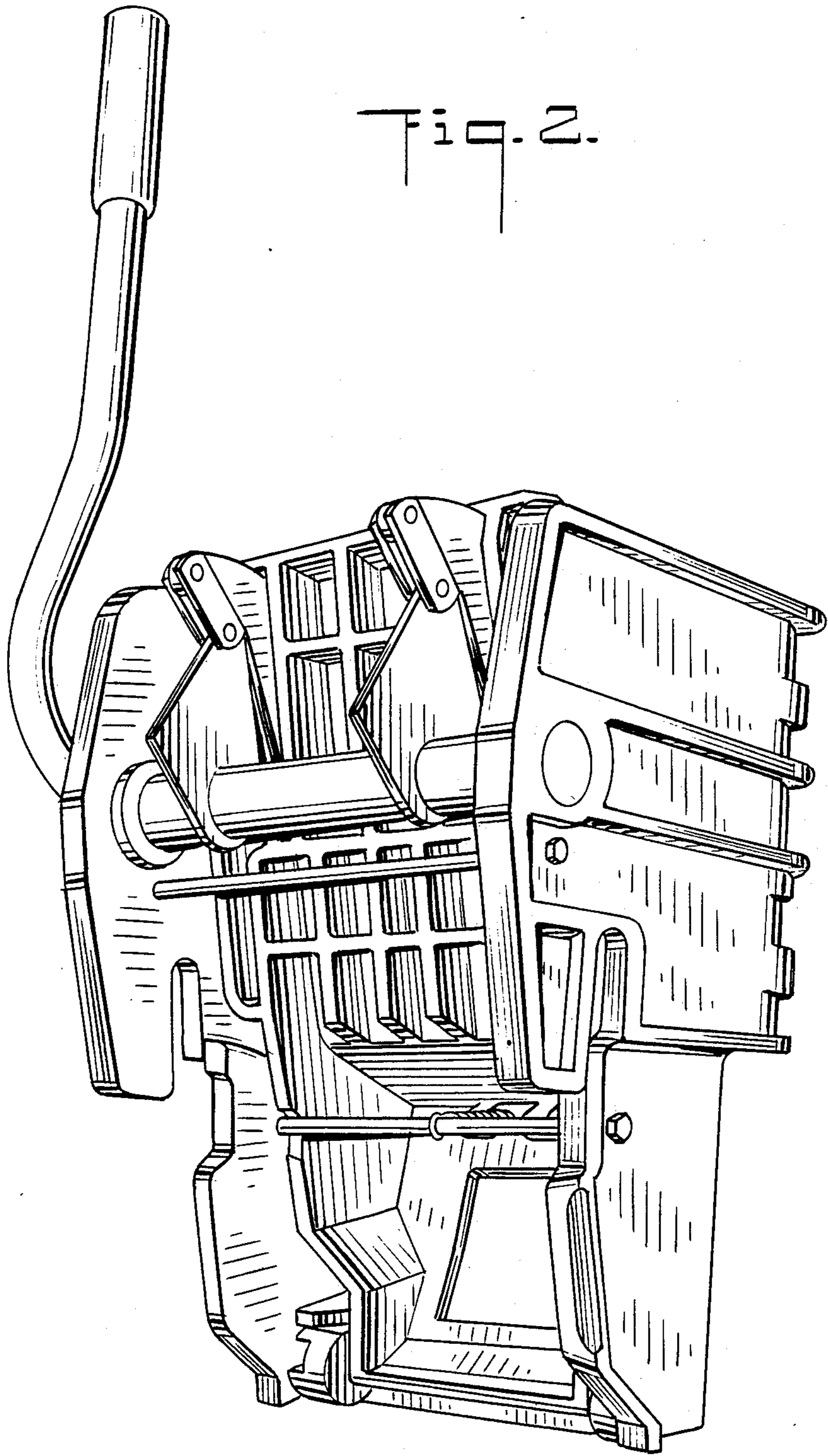
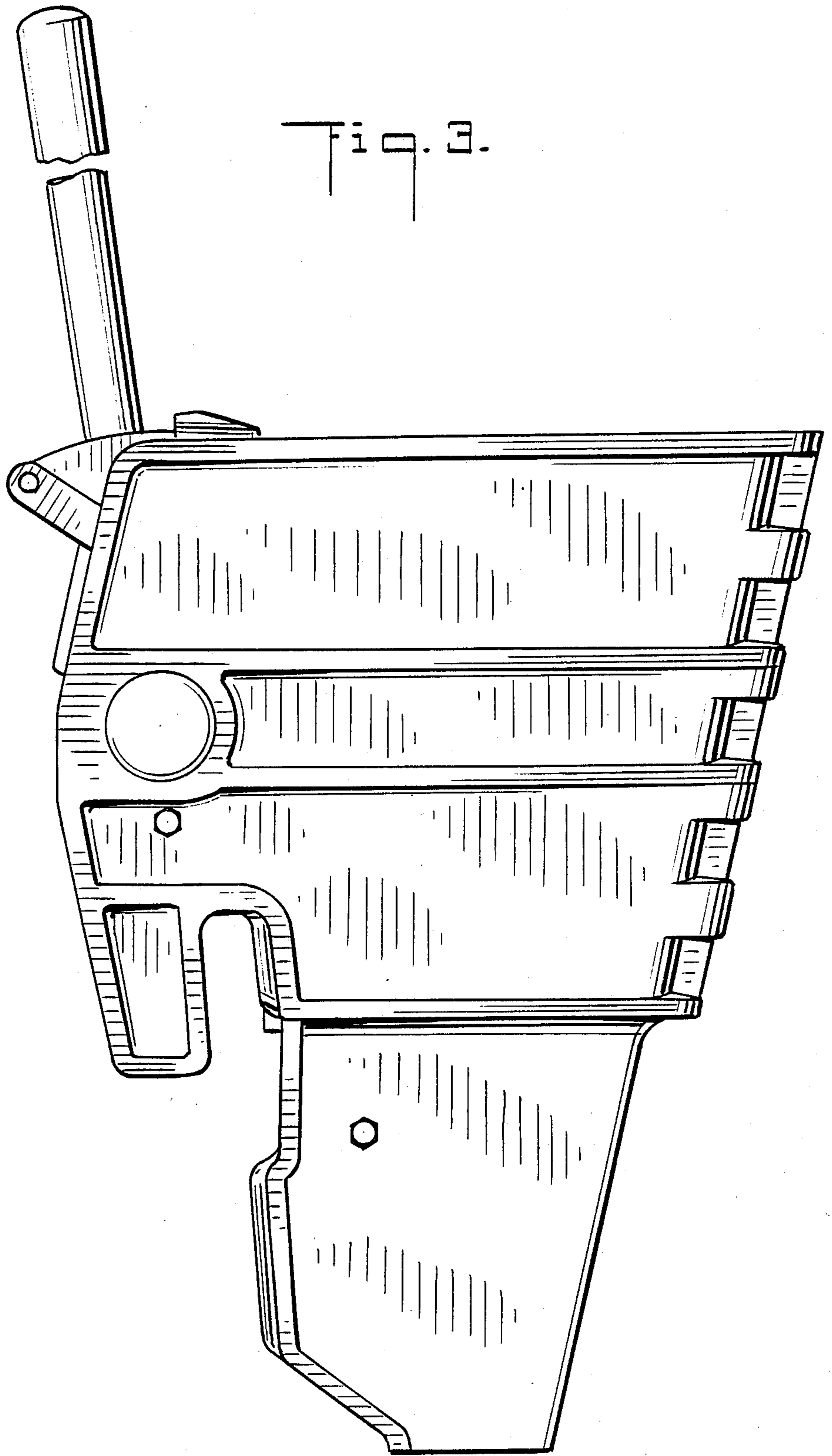


Fig. 3.



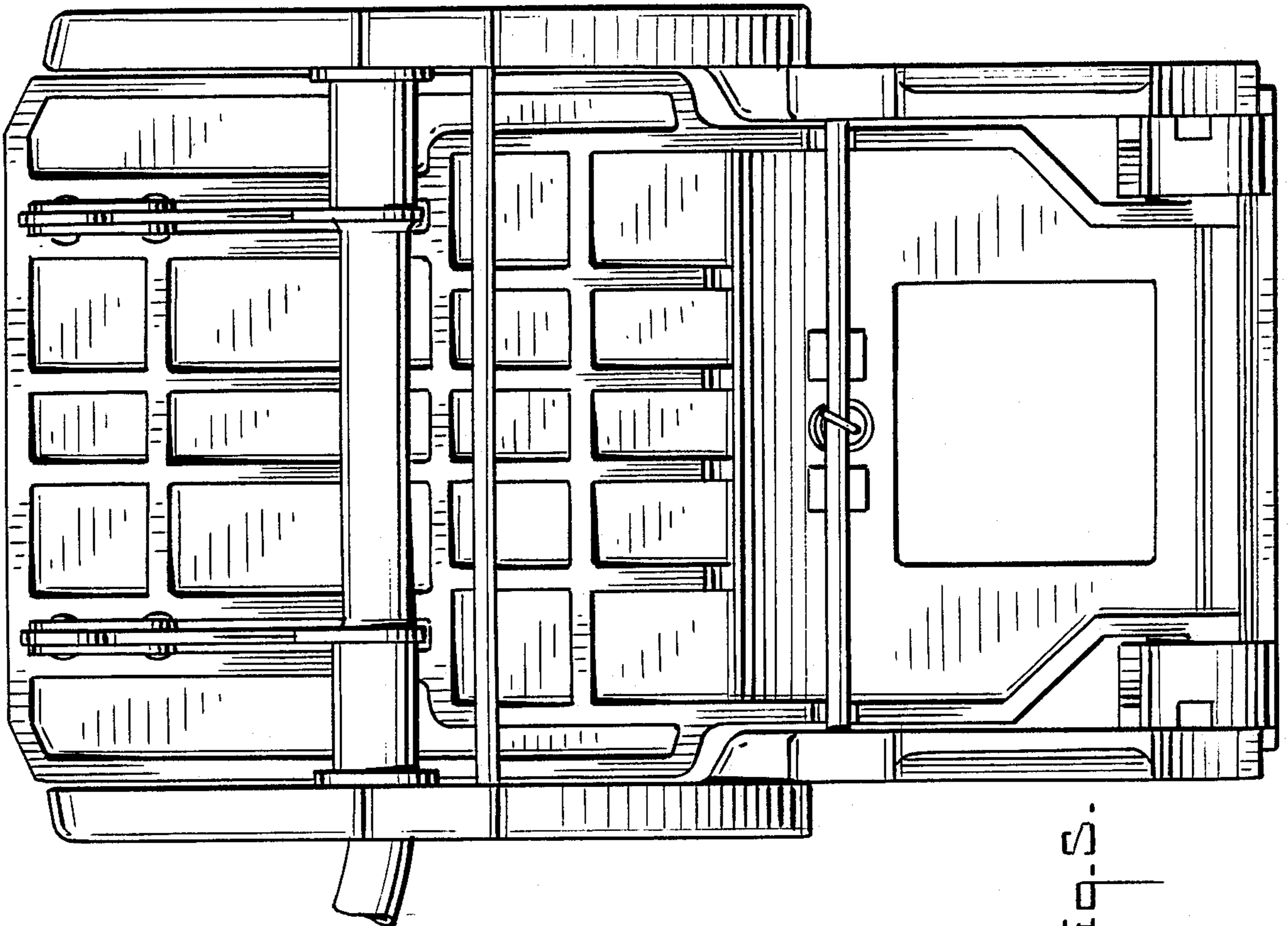


Fig. 4.

Fig. 5.

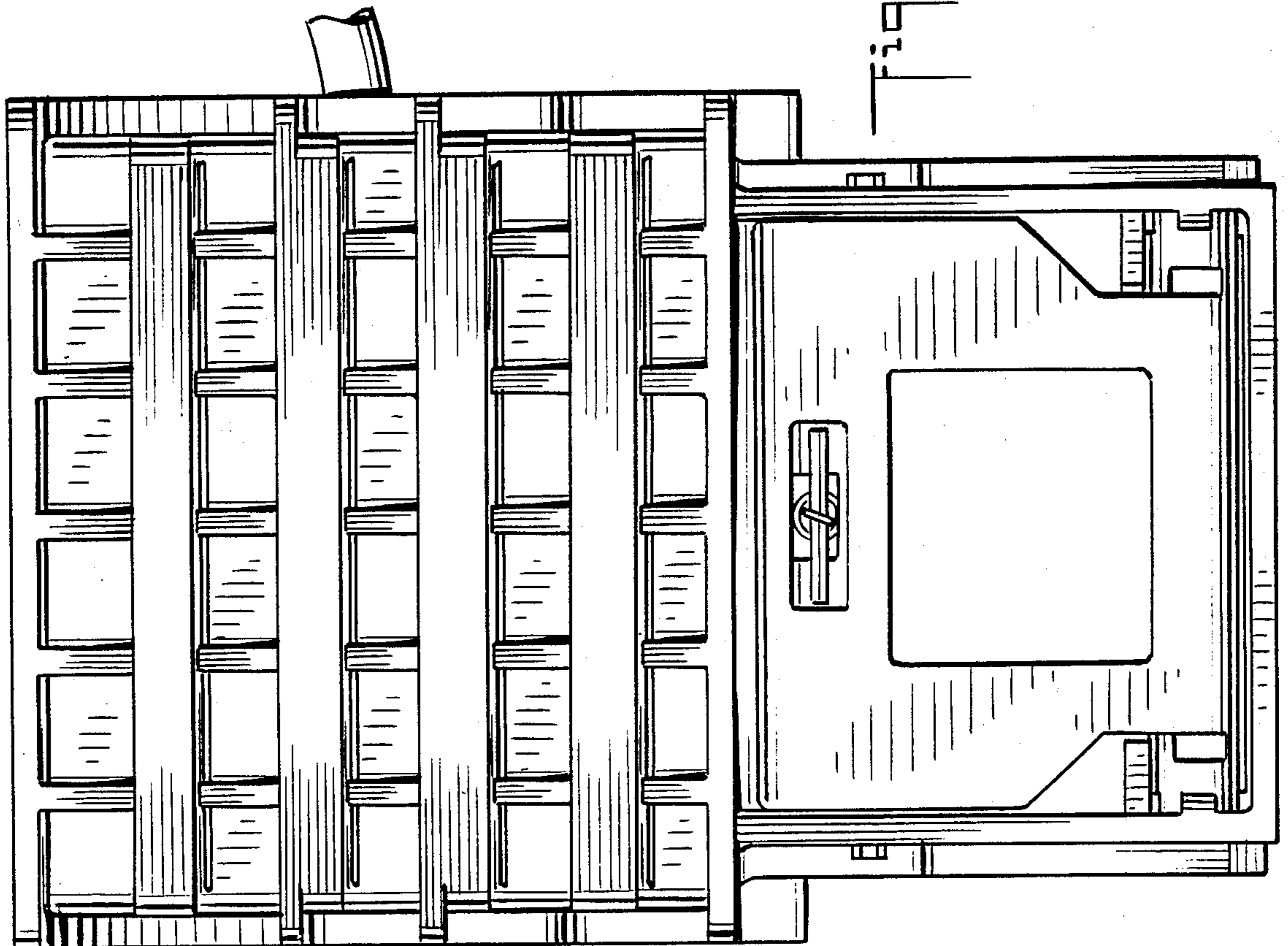


Fig. 7.

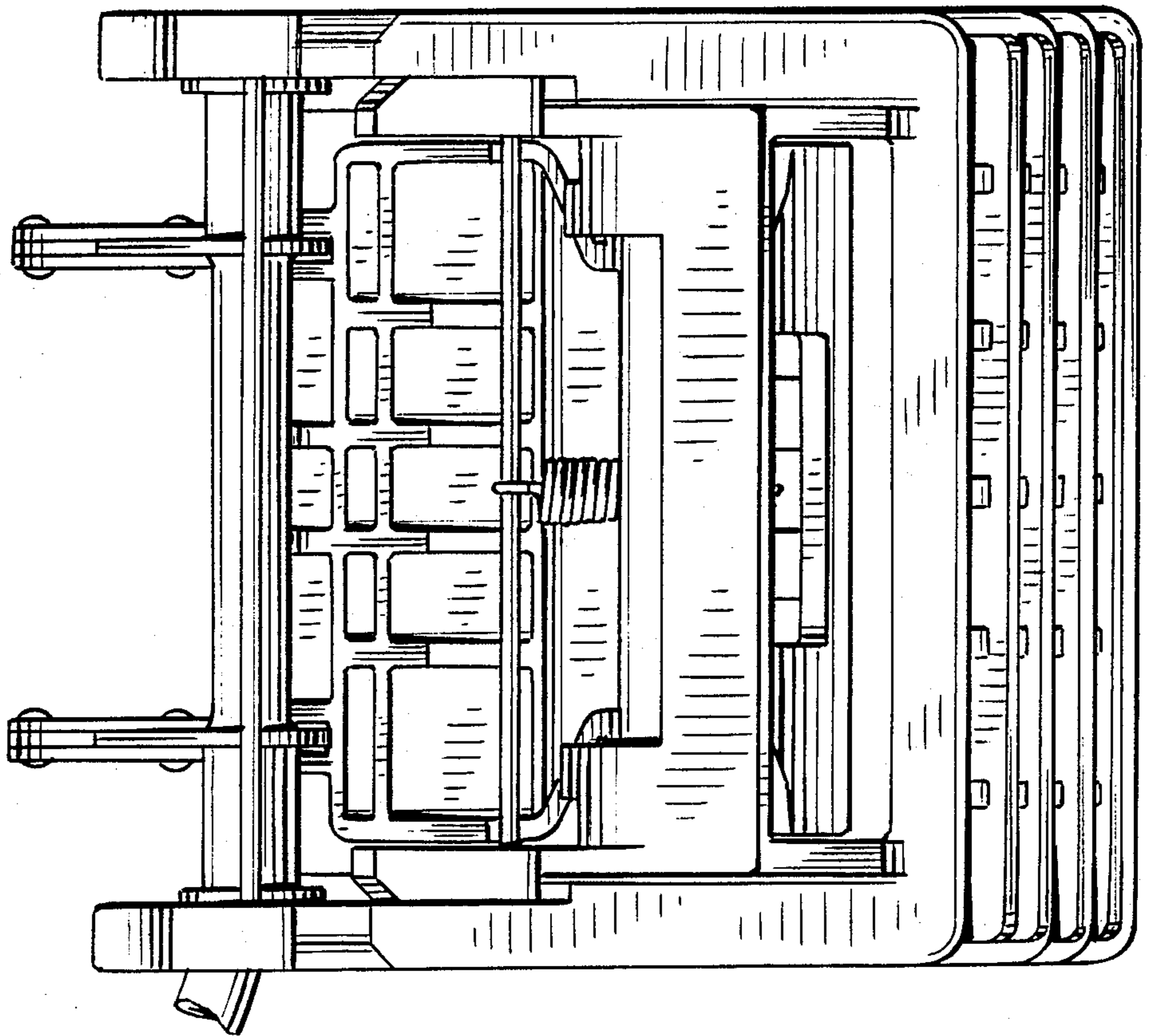


Fig. 6.

