

[54] **UPRIGHT VACUUM CLEANER**

4,670,937 6/1987 Sumerau et al. 15/329
4,782,552 11/1988 Bartlett et al. 15/361

[75] **Inventor: Clarence P. Kroll, Oceanside, Calif.**

Primary Examiner—Bruce W. Dunkins
Assistant Examiner—Ruth Takemoto
Attorney, Agent, or Firm—Lyon & Lyon

[73] **Assignee: Riccar America Company, Tustin, Calif.**

[**] **Term: 14 Years**

[57] **CLAIM**

[21] **Appl. No.: 94,932**

The ornamental design for an upright vacuum cleaner, as shown.

[22] **Filed: Sep. 10, 1987**

[52] **U.S. Cl. D32/22**

DESCRIPTION

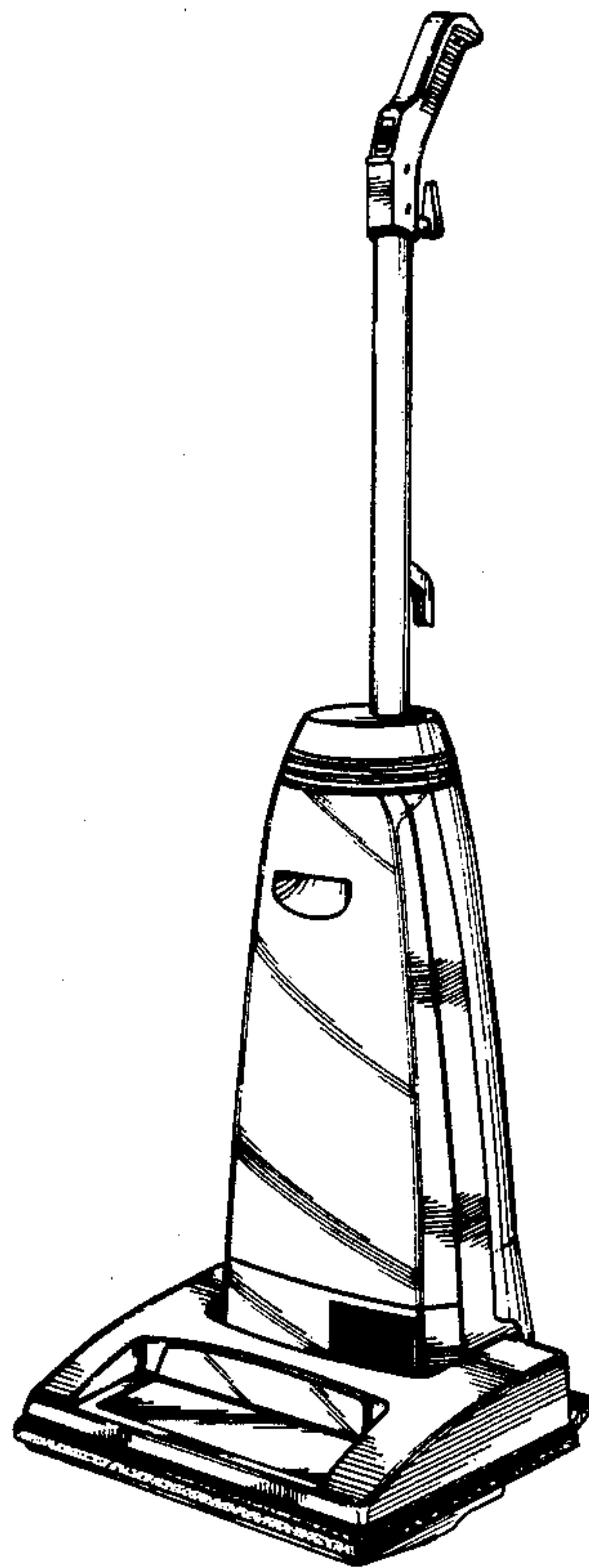
[58] **Field of Search D32/18, 21-22, D32/31-34; 15/323-324, 325, 329, 335, 338, 344, 350-351, 361**

FIG. 1 is a perspective view of an upright vacuum cleaner showing my new design;
FIG. 2 is a front elevational view thereof;
FIG. 3 is a left side elevational view thereof;
FIG. 4 is a rear elevational view thereof;
FIG. 5 is a right side elevational view thereof;
FIG. 6 is a bottom plan view thereof; and
FIG. 7 is a top plan view thereof.

[56] **References Cited**

U.S. PATENT DOCUMENTS

2,898,621 8/1959 Vance 15/324
3,634,905 1/1972 Boyd 15/350



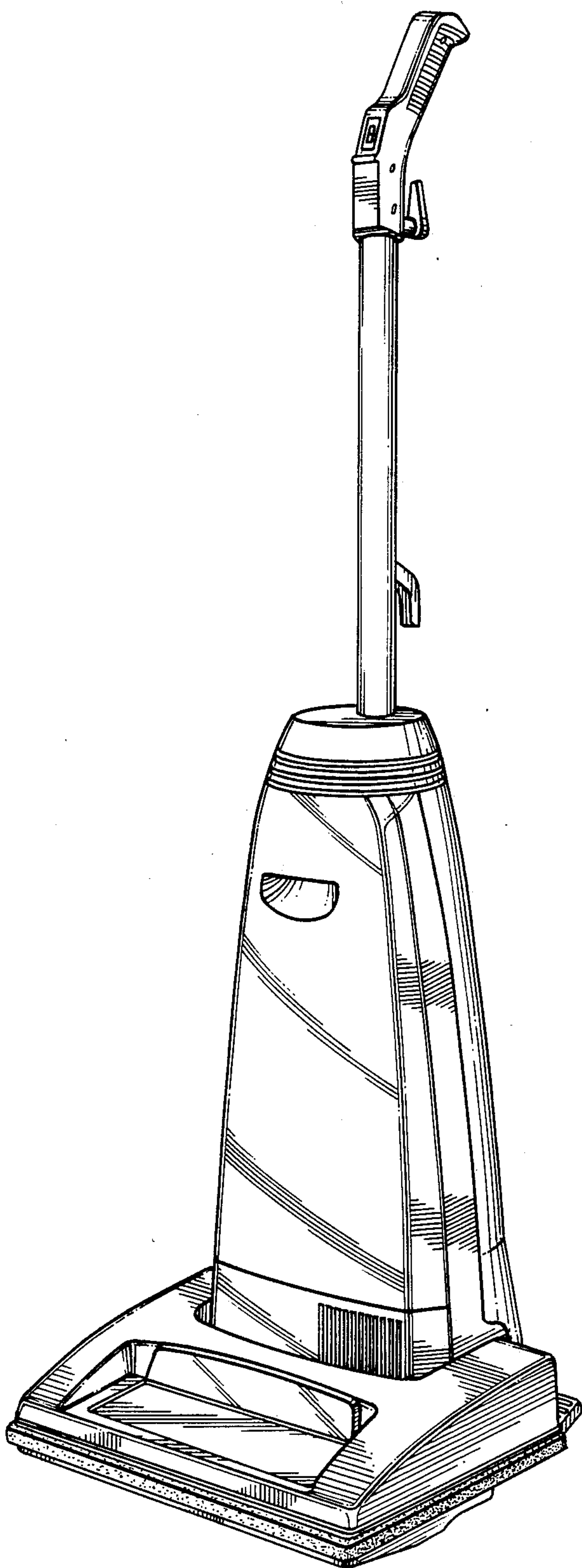


FIG. 1.

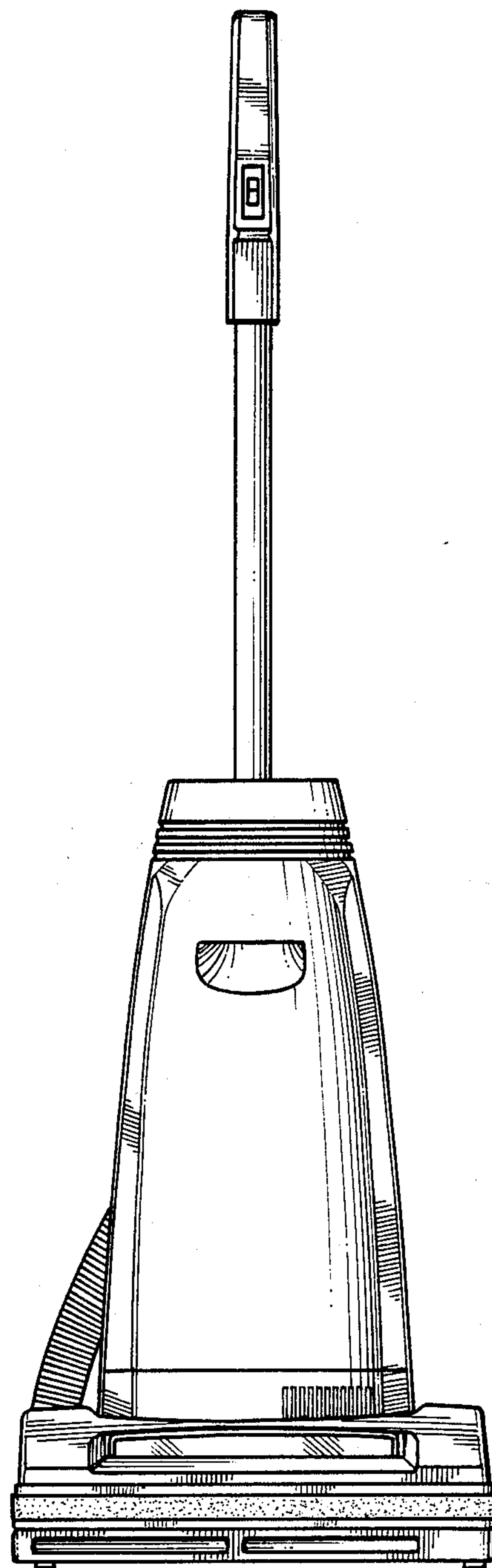


FIG. 2.

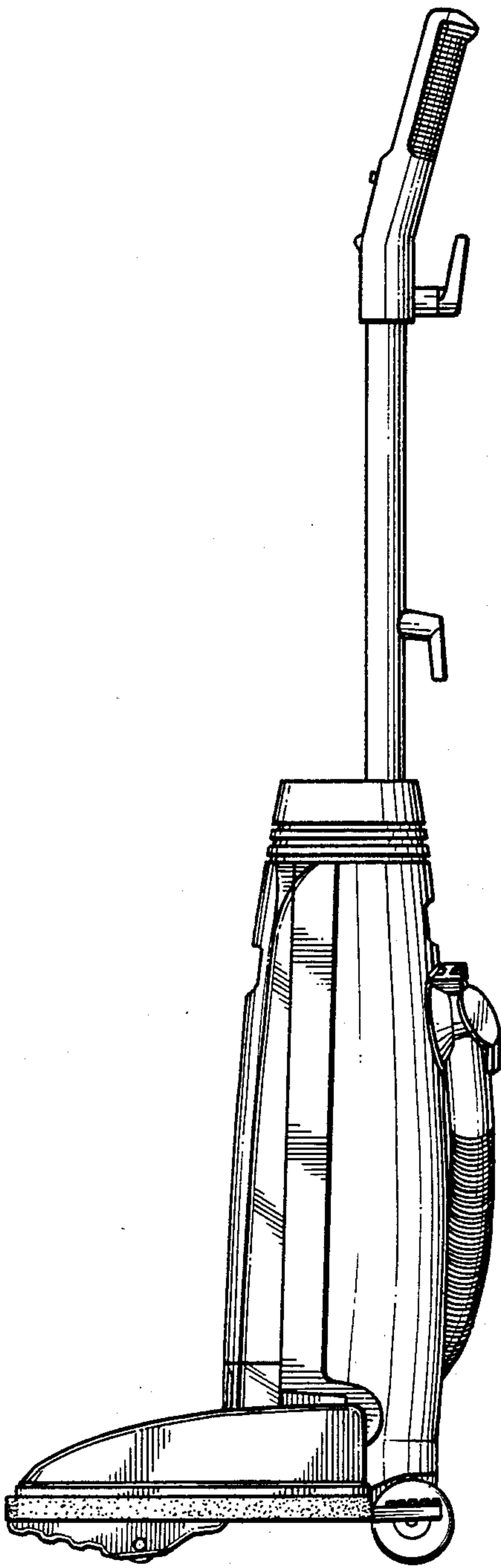


FIG. 3.

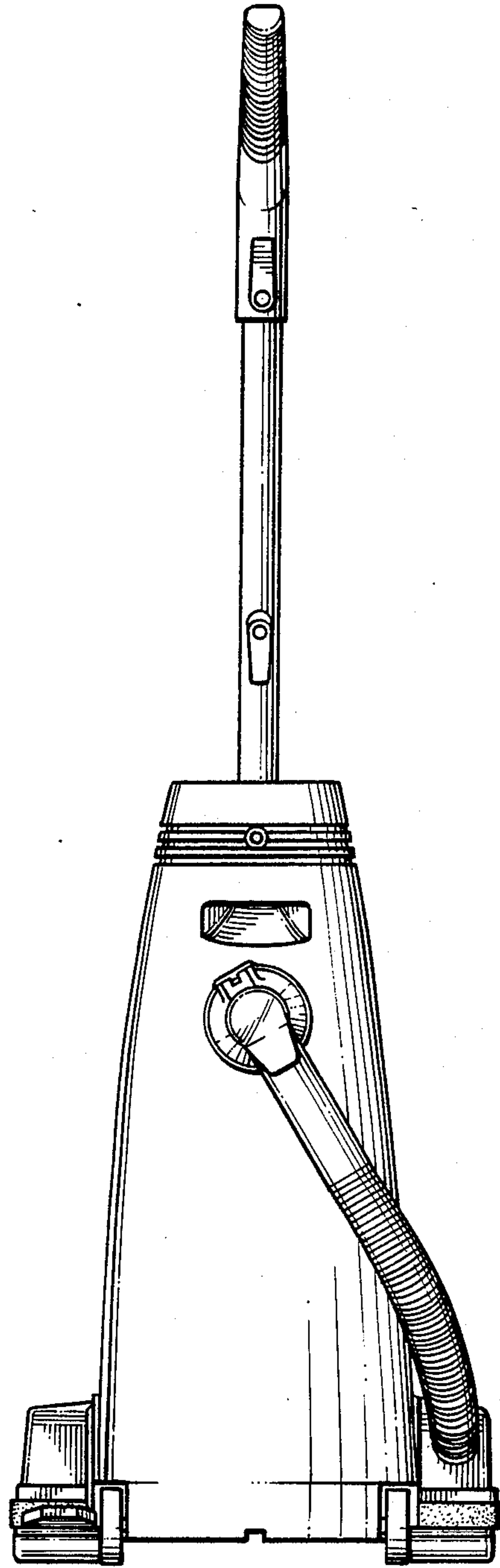


FIG. 4.

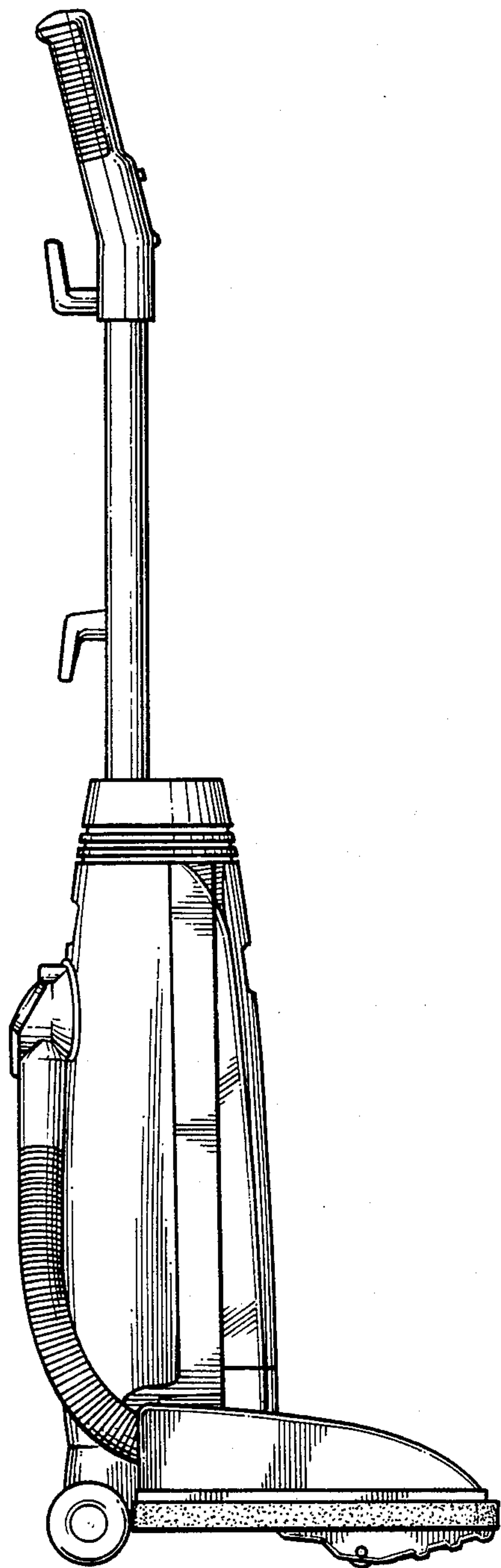


FIG. 5.

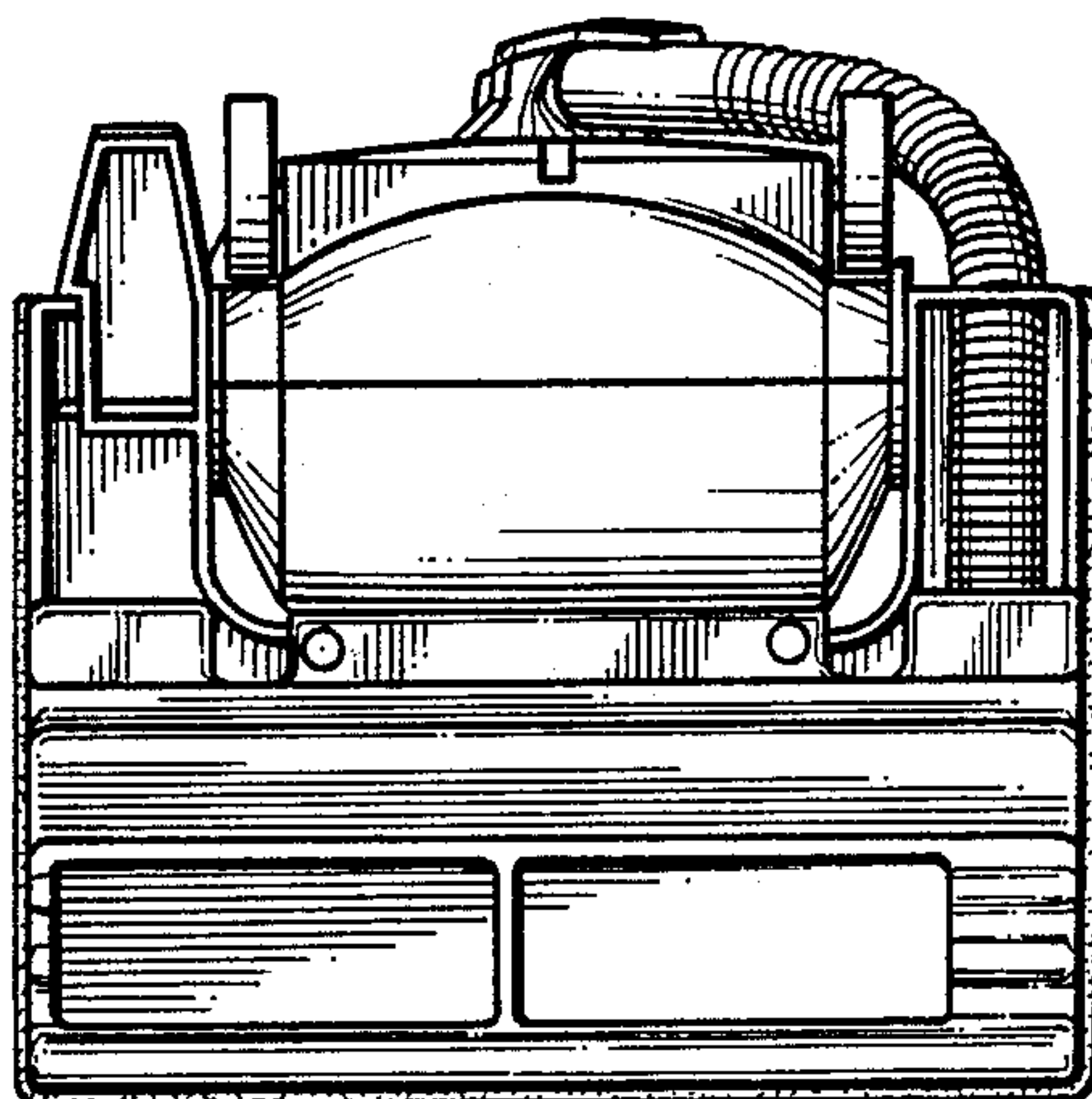


FIG. 6.

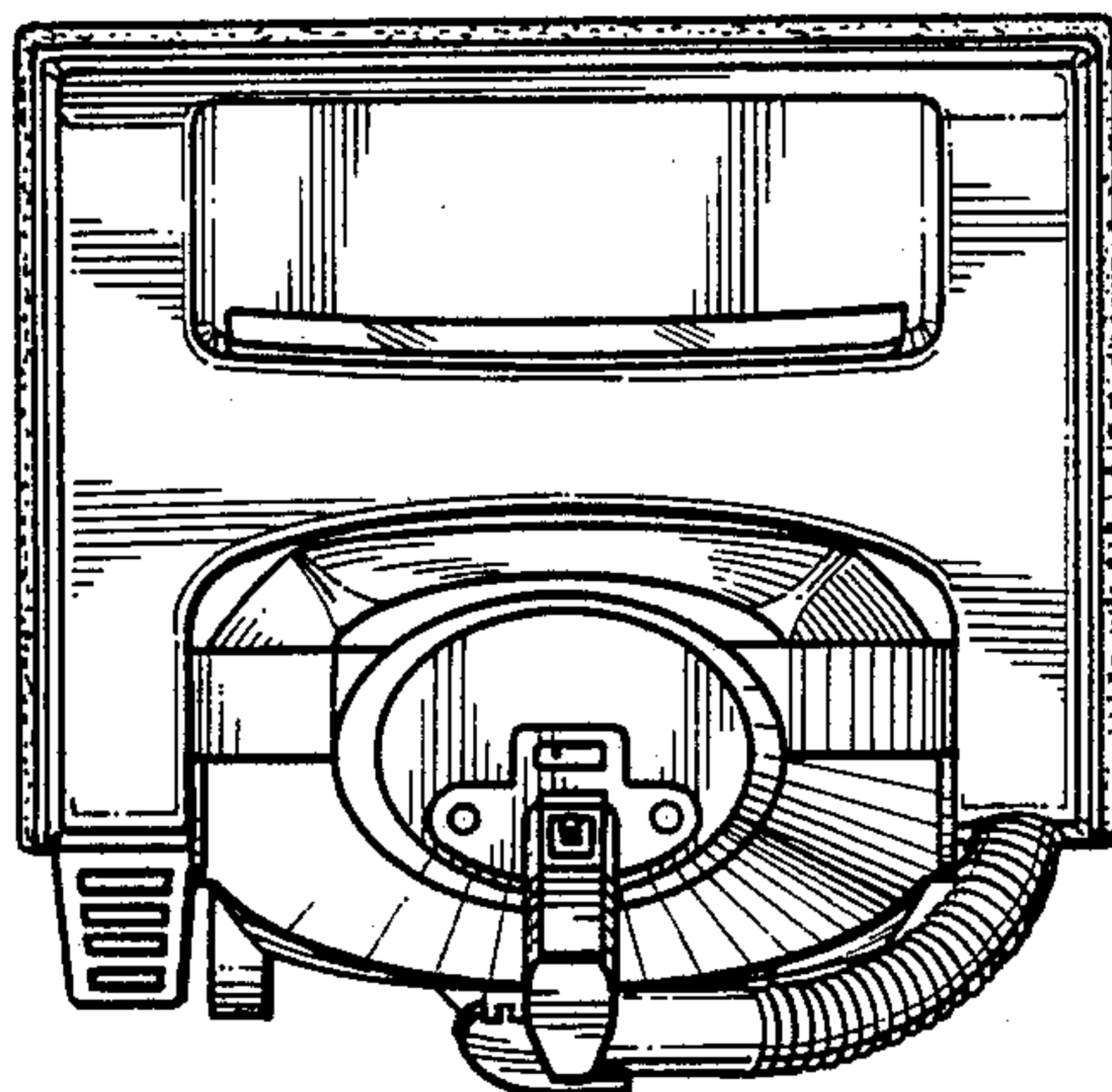


FIG. 1.