

[54] ANESTHESIA AND RESPIRATORY FACE MASK

D. 295,333 4/1988 Hartley D29/7
3,982,532 9/1976 Halldin et al. 128/206.24

[76] Inventors: Jeffrey J. Quinn; Brad H Quinn, both
c/o EMS, P.O. Box 681514,
Indianapolis, Ind. 46268

Primary Examiner—Wallace R. Burke
Assistant Examiner—Kay H. Chin
Attorney, Agent, or Firm—R. Stephen Hansell

[**] Term: 14 Years

[57] CLAIM

[21] Appl. No.: 73,206

The ornamental design for an anesthesia and respiratory face mask, as shown and described.

[22] Filed: Jul. 13, 1987

[52] U.S. Cl. D29/8; D29/7

[58] Field of Search D29/6-9;
128/205.25, 205.24, 206.24, 205.17, 207.11,
206.17, 206.28, 201.19, 206.12, 202.23

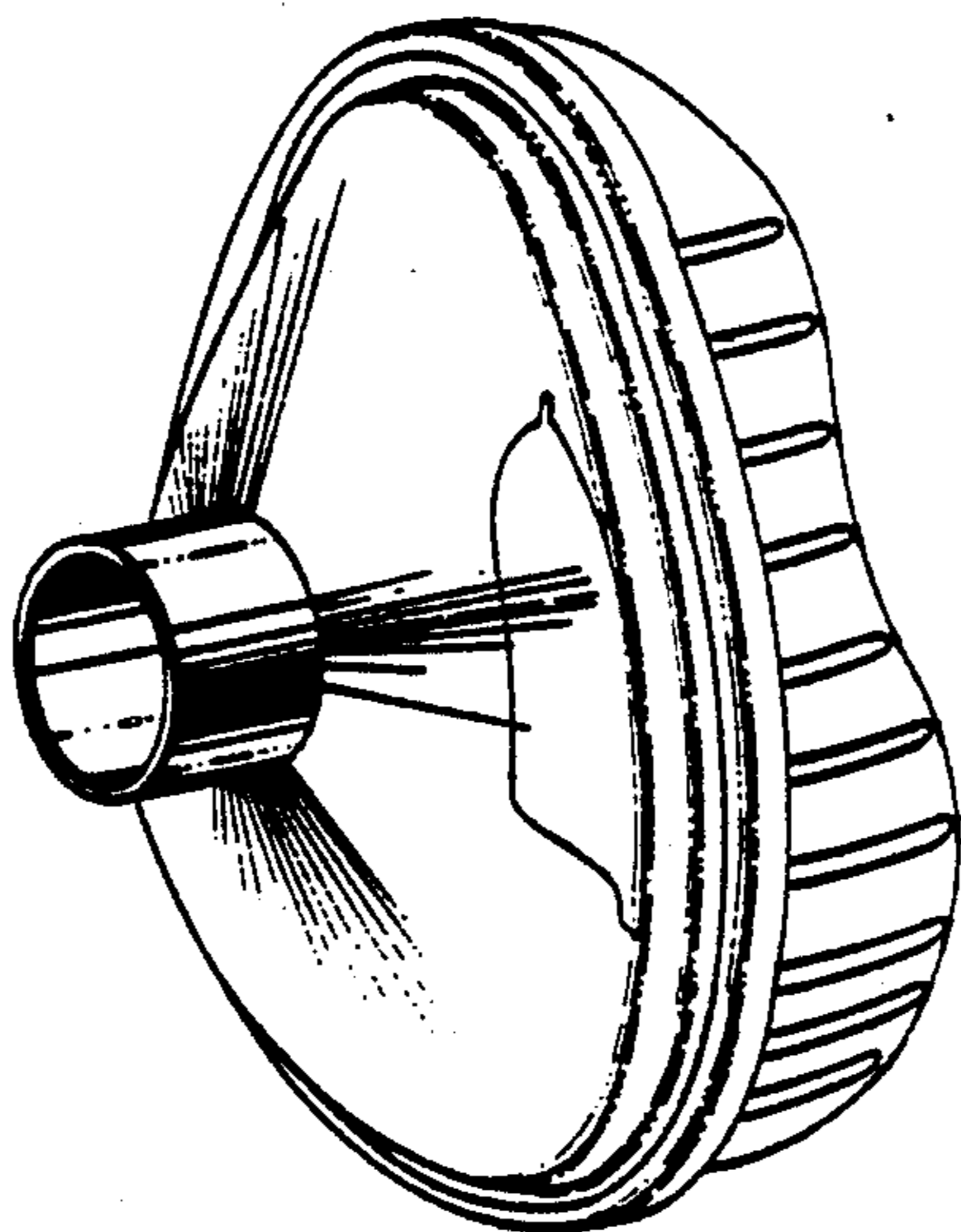
DESCRIPTION

FIG. 1 is a front perspective view of an anesthesia respiratory face mask showing our new design; FIG. 2 is a rear elevational view thereof; FIG. 3 is a front elevational view thereof; FIG. 4 is a bottom plan view thereof; FIG. 5 is a top plan view thereof; and FIG. 6 is a side elevational view thereof, the opposite side elevational view being a mirror image of that shown.

[56] References Cited

U.S. PATENT DOCUMENTS

D. 189,009 10/1960 Muller D29/8
D. 258,994 4/1981 Grane D29/8
D. 285,496 9/1986 Berman D29/8



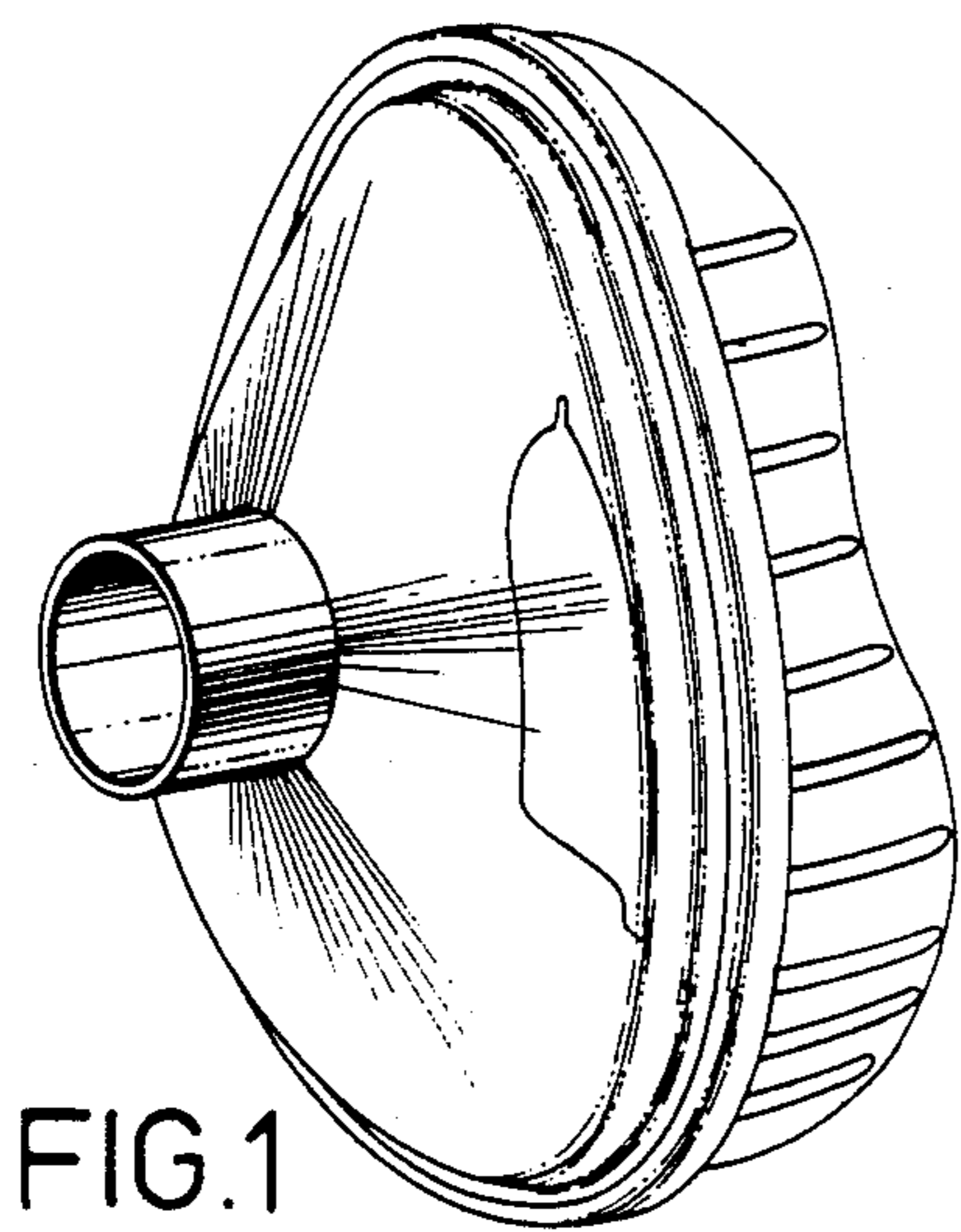


FIG. 1

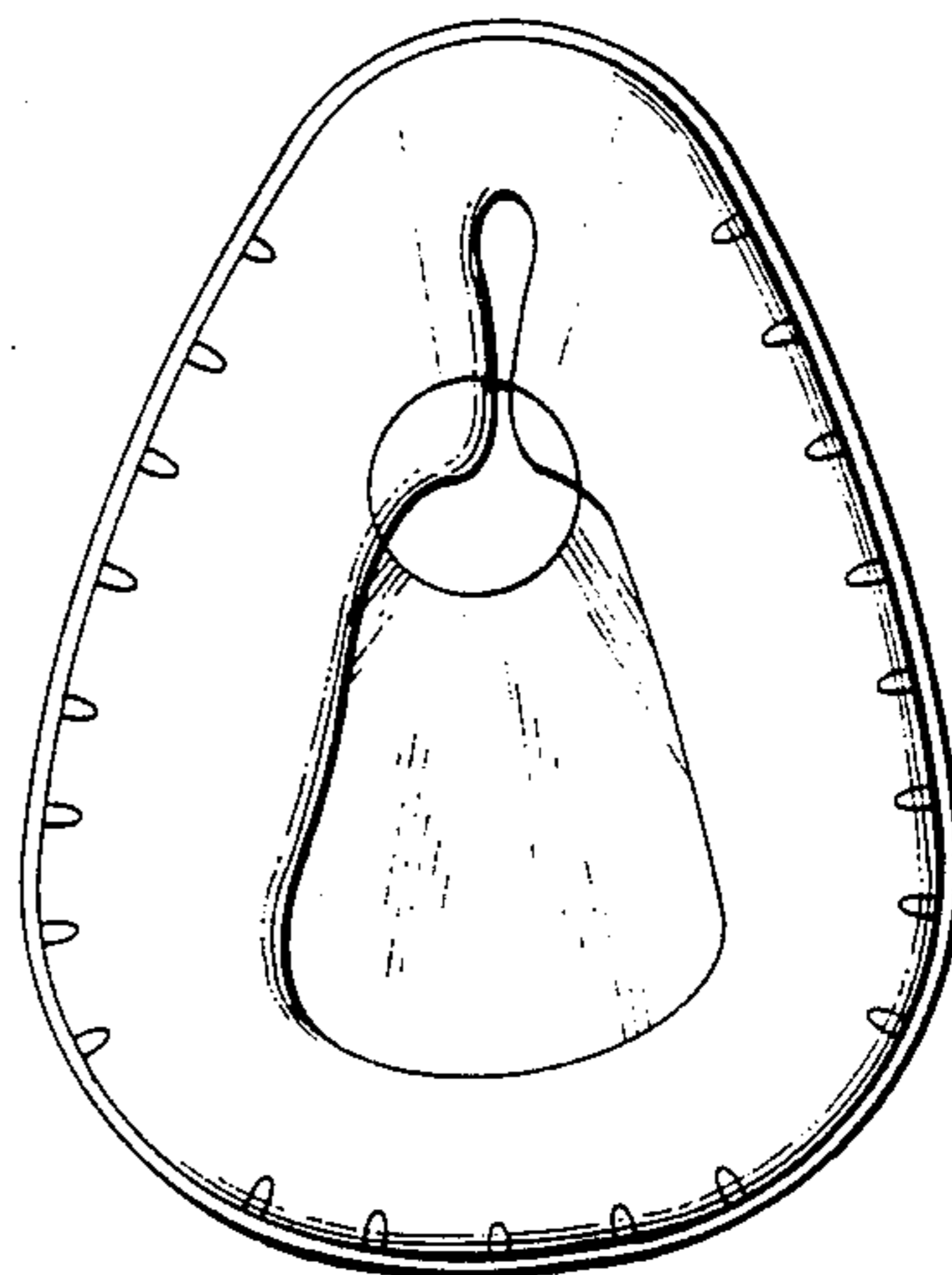


FIG. 2

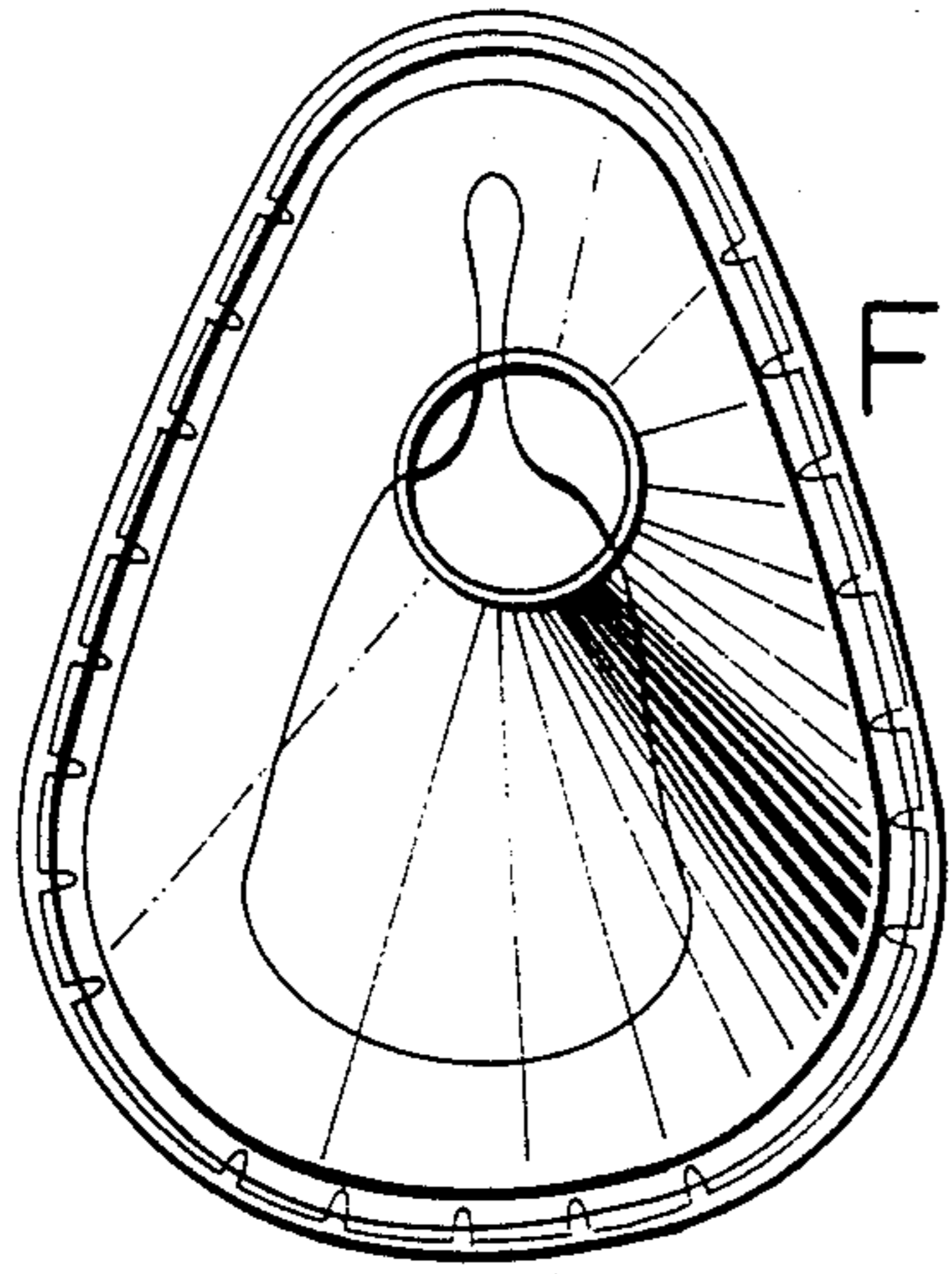


FIG. 3

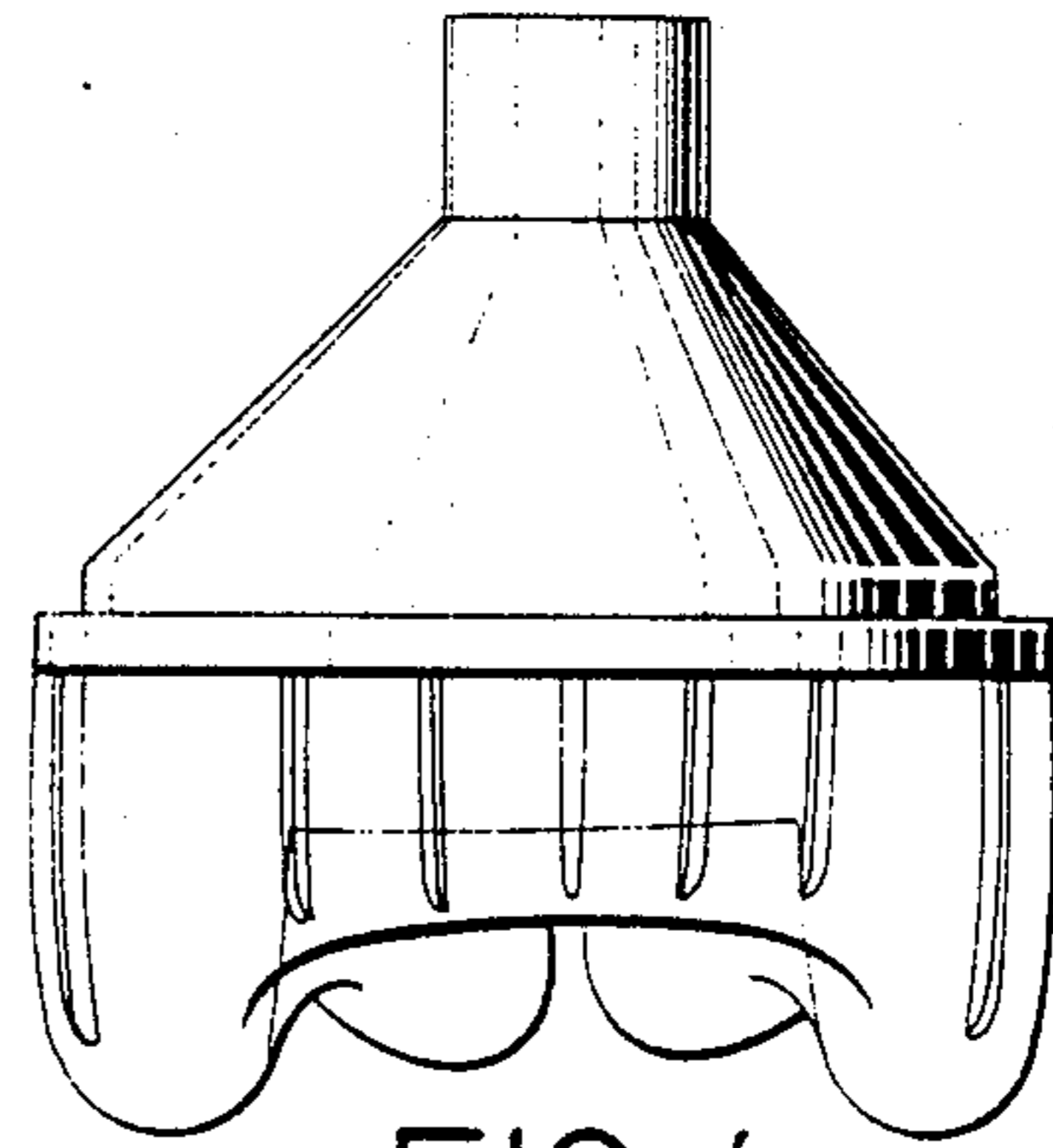


FIG. 4

