

[54] TWO WAY CHECK RESPIRATORY VALVE

[75] Inventors: Hans Rudolph, Shawnee Mission; Kevin Rudolph, Leawood, both of Kans.

[73] Assignee: Hans Rudolph, Inc., Kansas City, Mo.

[**] Term: 14 Years

[21] Appl. No.: 82,186

[22] Filed: Aug. 6, 1987

[52] U.S. Cl. D29/7

[58] Field of Search D24/53, 51; D29/7, 6; 128/205.24, 205.17, 204.19, 203.14, 200.14; 210/448, 452, 510.1

[56] References Cited

U.S. PATENT DOCUMENTS

- D. 276,464 11/1984 Weigl et al. D24/53
- D. 276,465 11/1984 Clawson et al. D24/53
- D. 300,270 3/1989 Rudolph et al. D29/7
- D. 300,271 3/1989 Rudolph et al. D29/7

- D. 300,272 3/1989 Rudolph et al. D29/7
- D. 300,273 3/1989 Rudolph et al. D29/7
- D. 300,274 3/1989 Rudolph et al. D29/7
- 3,643,686 2/1972 Koegel 128/205.24 X
- 4,436,090 3/1984 Darling 128/205.24 X
- 4,489,721 12/1984 Ozaki et al. 128/205.24
- 4,493,339 1/1985 Porter, Jr. 128/205.24 X

Primary Examiner—Wallace R. Burke
Assistant Examiner—Stella M. Reid
Attorney, Agent, or Firm—Litman, McMahon & Brown

[57] CLAIM

The ornamental design for a two way check respiratory valve, as shown and described.

DESCRIPTION

FIG. 1 is a perspective view of a two way check respiratory valve showing our new design; FIG. 2 is a front elevational view thereof; FIG. 3 is a rear elevational view thereof; FIG. 4 is a side elevational view thereof, the opposite side being a mirror image; and FIG. 5 is a top plan view thereof, the bottom plan view being a mirror image.

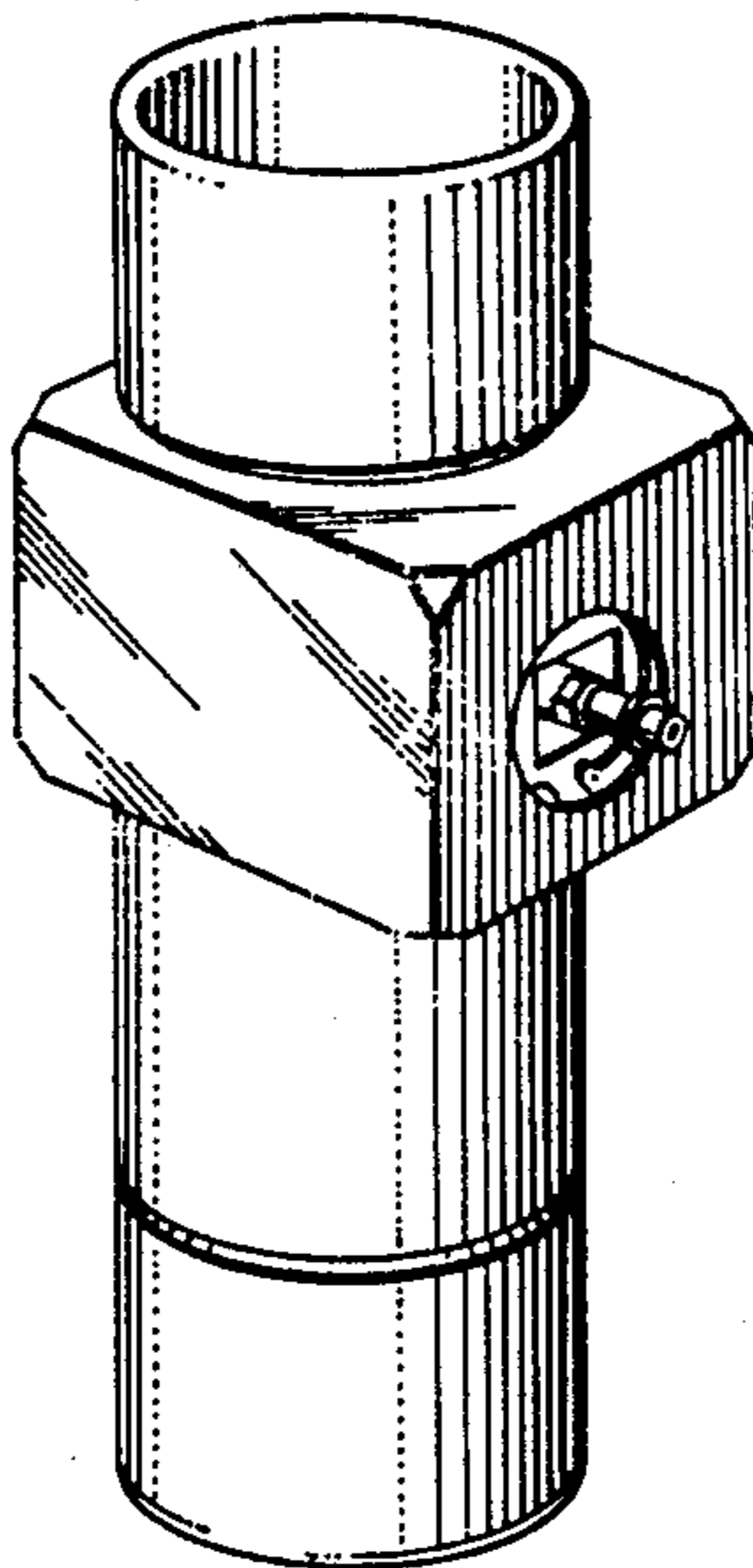


Fig. 1.

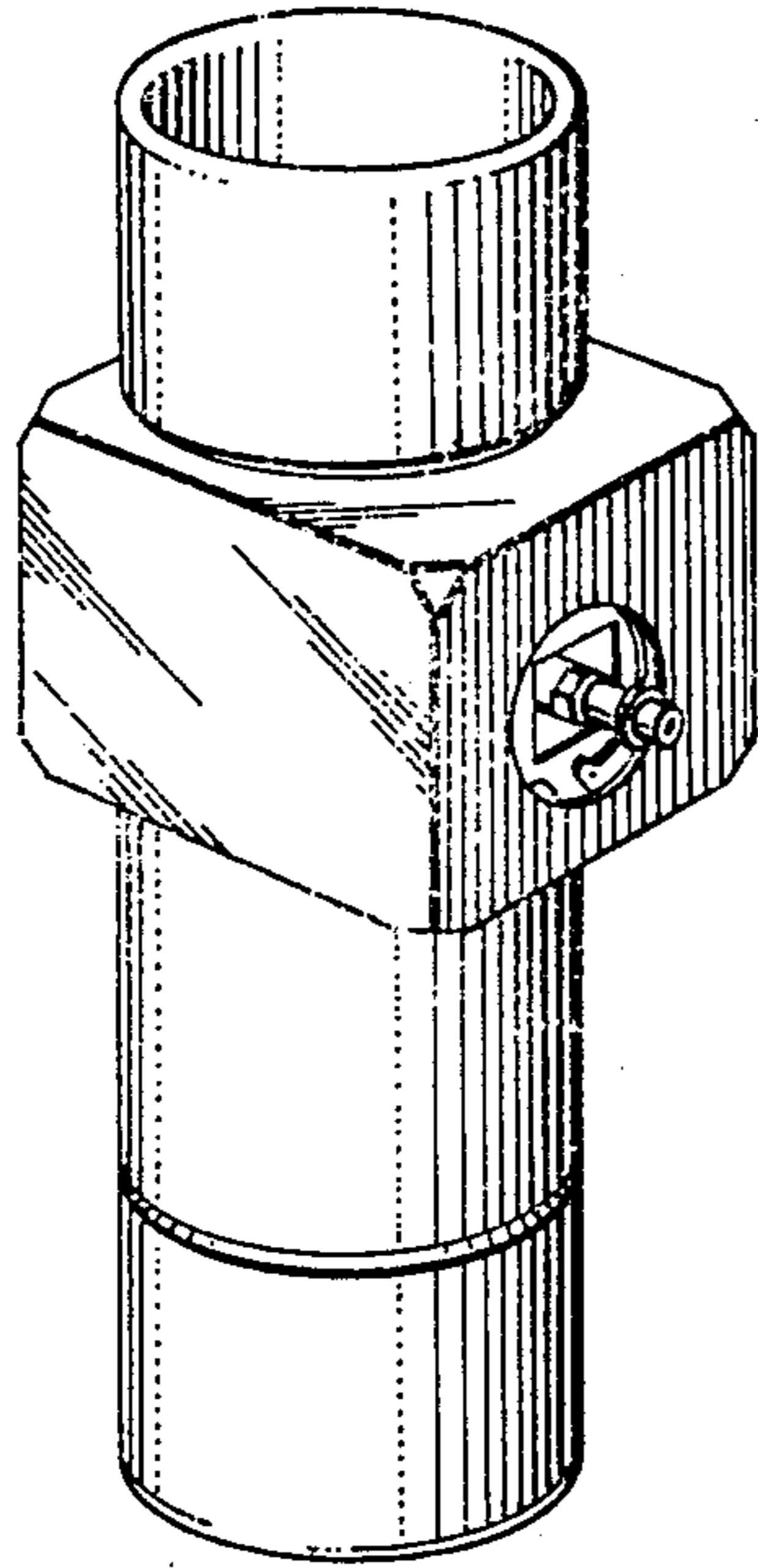


Fig. 2.

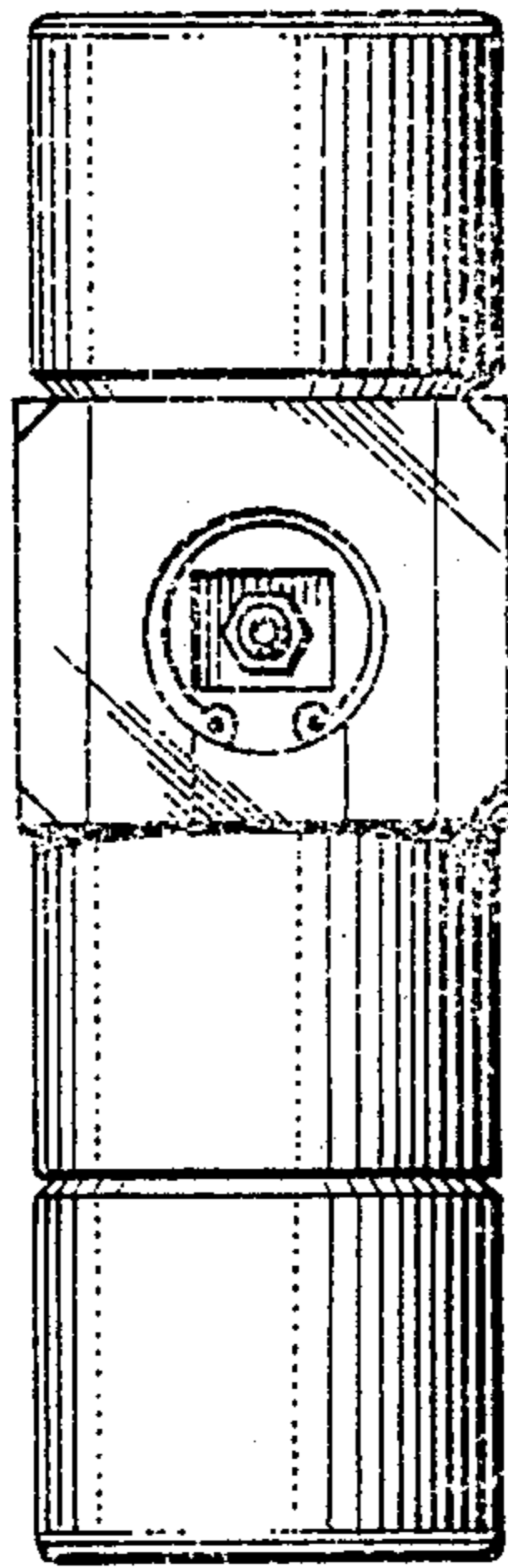


Fig. 3.

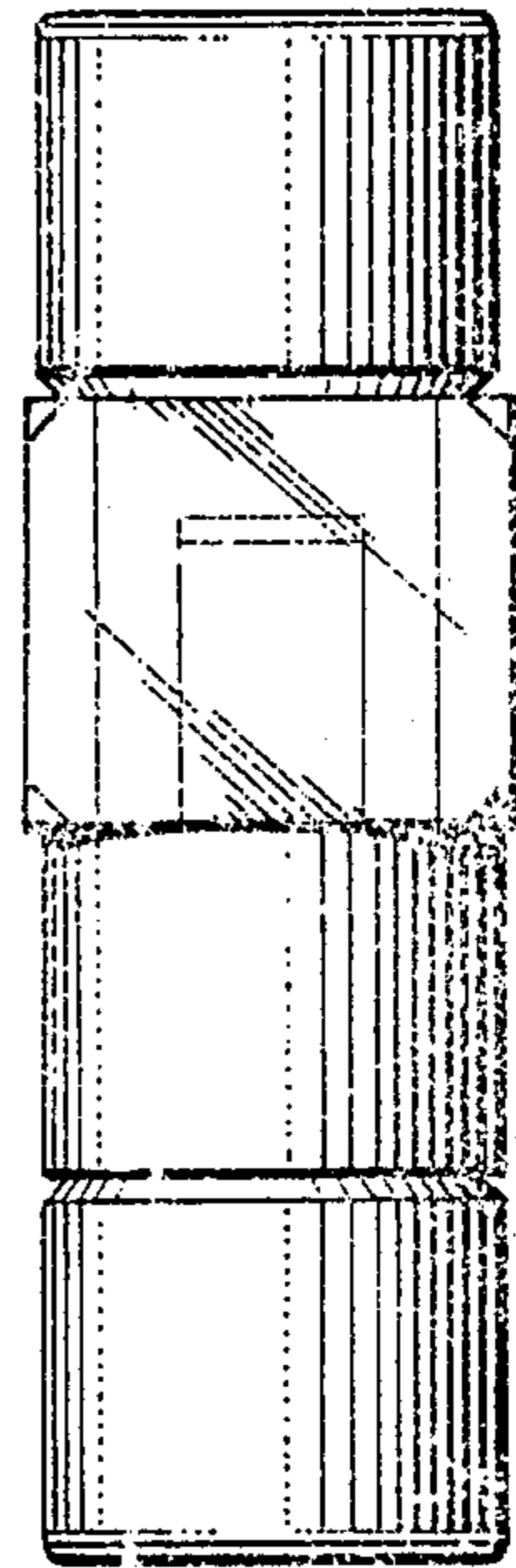


Fig. 4.

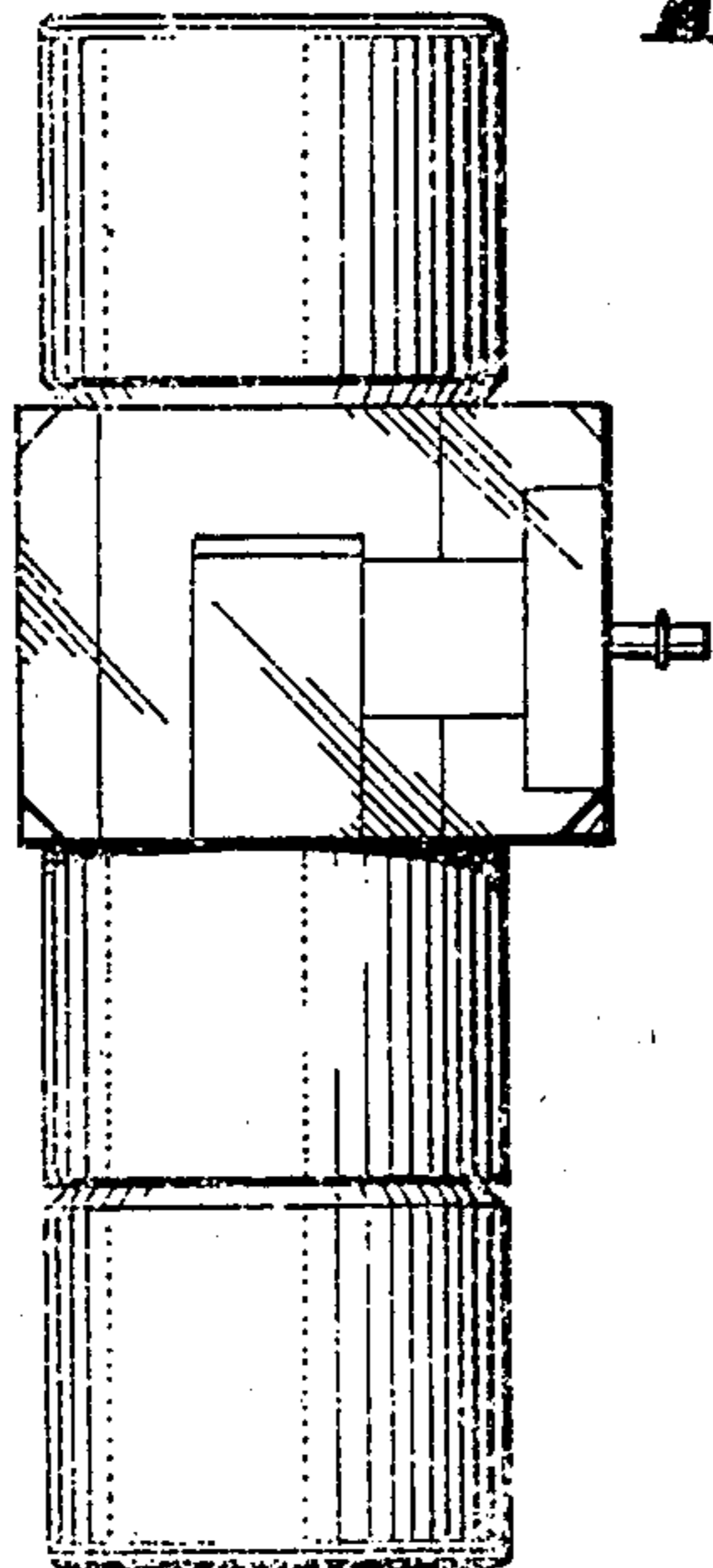


Fig. 5.

