

[54] OUTDOOR LUMINAIRE

[75] Inventor: William H. Maddock, Markham, Canada

[73] Assignee: Noma Inc., Scarborough, Canada

[\*\*] Term: 14 Years

[21] Appl. No.: 28,148

[22] Filed: Mar. 19, 1987

[52] U.S. Cl. .... D26/67

[58] Field of Search ..... D26/67-71; 362/431, 432, 362, 363, 310, 267

[56] References Cited

U.S. PATENT DOCUMENTS

- D. 263,340 3/1982 Budnovitch et al. .... D26/67
- D. 284,312 6/1986 Patel ..... D26/67

FOREIGN PATENT DOCUMENTS

- 10328 6/1956 Fed. Rep. of Germany ..... 362/363

OTHER PUBLICATIONS

Minute Mount Budget Lighting Catalog, 1961, p. 14, Post Lantern #MM 5425.  
 Progress Lighting Ideas Book #118, ©1980, p. 148, Pathway Light #P 5226.  
 Rad Electric Mfg. Co.—1976 Catalogue—p. 25, The LL Series Garden Lights.

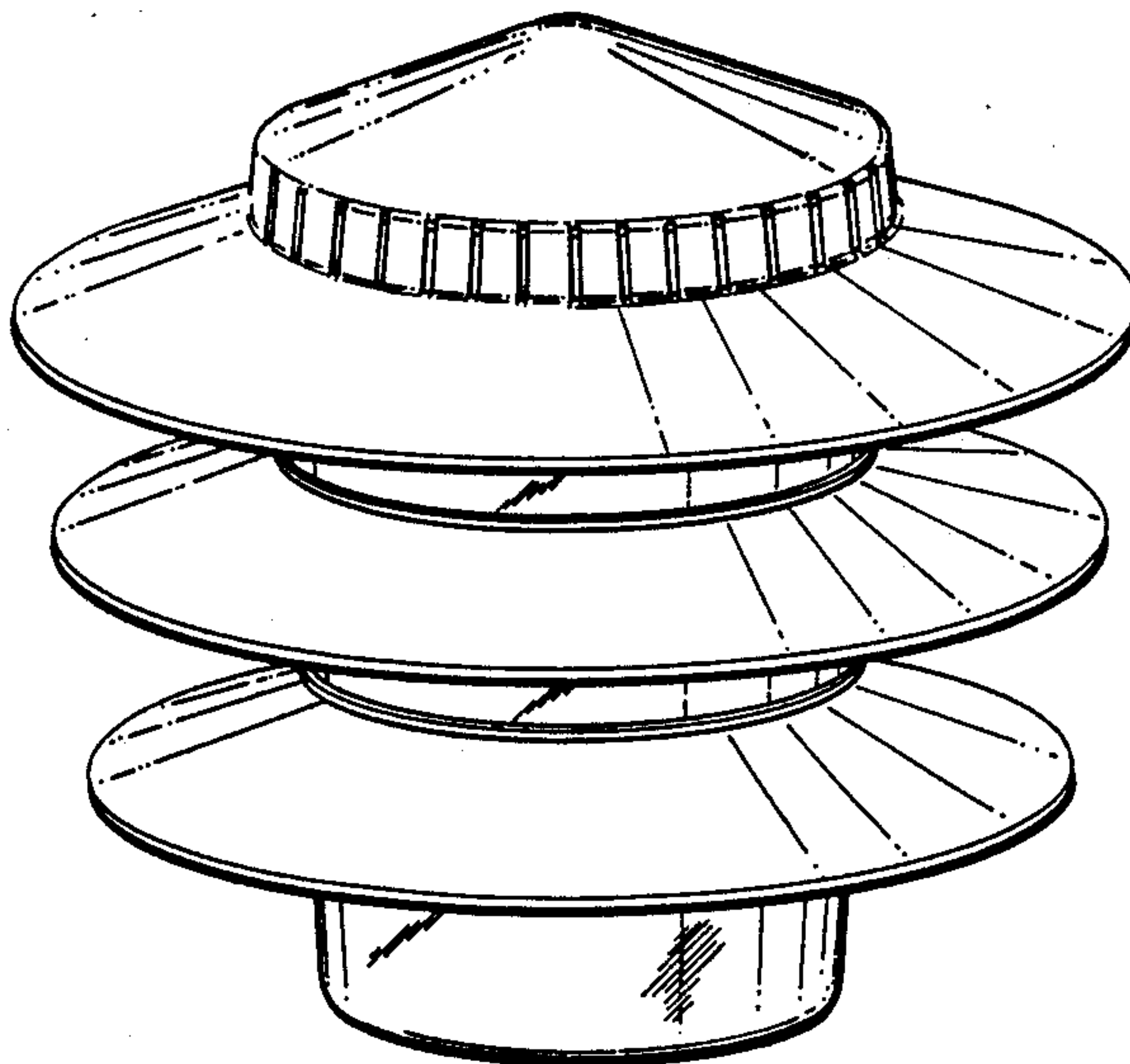
Primary Examiner—Susan J. Lucas  
 Attorney, Agent, or Firm—Kenneth M. Garrett

[57] CLAIM

The ornamental design for a outdoor luminaire, as shown and described.

DESCRIPTION

FIG. 1 is a top, front perspective view of a post mounted luminaire showing my new design;  
 FIG. 2 is a top plan view thereof on an enlarged scale;  
 FIG. 3 is a side elevational view thereof on an enlarged scale, the opposite side being identical;  
 FIG. 4 is a bottom plan view thereof on an enlarged scale;  
 FIG. 5 is a top, front perspective view of a second embodiment of my new design;  
 FIG. 6 is a side elevational view thereof.  
 The bottom of the second embodiment is identical to that of the first embodiment as shown in FIG. 4.



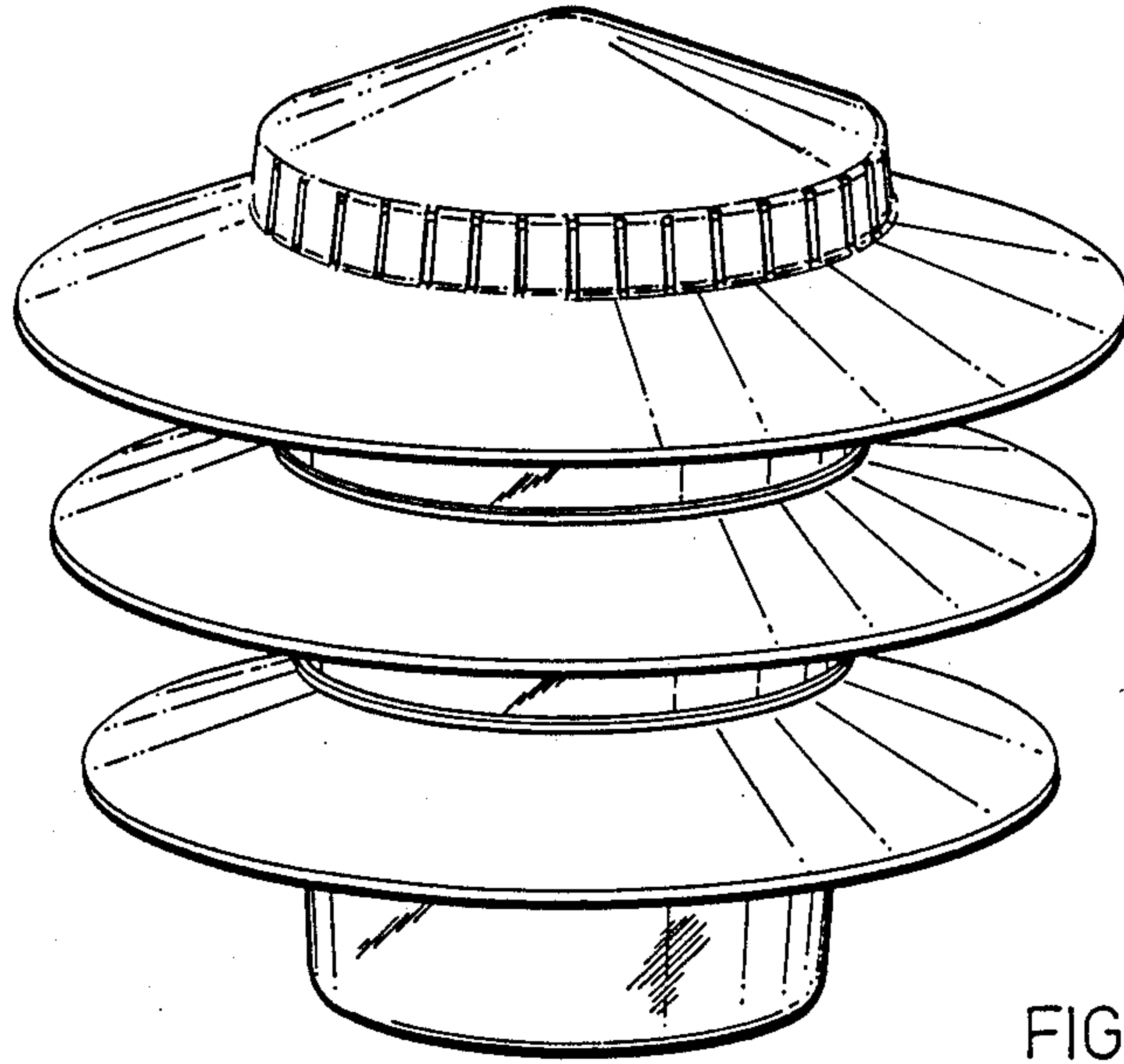


FIG. 1.

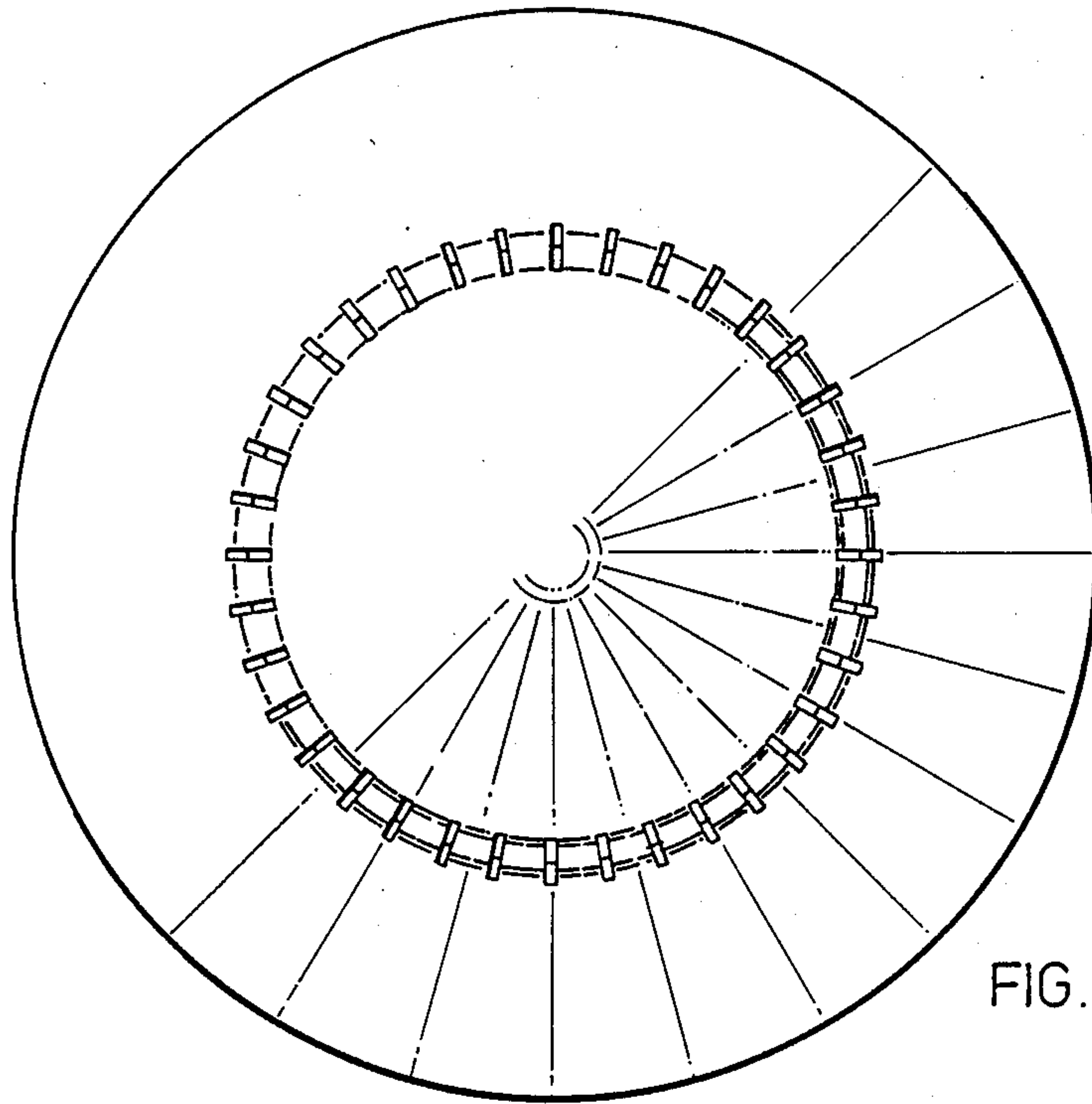


FIG. 2.

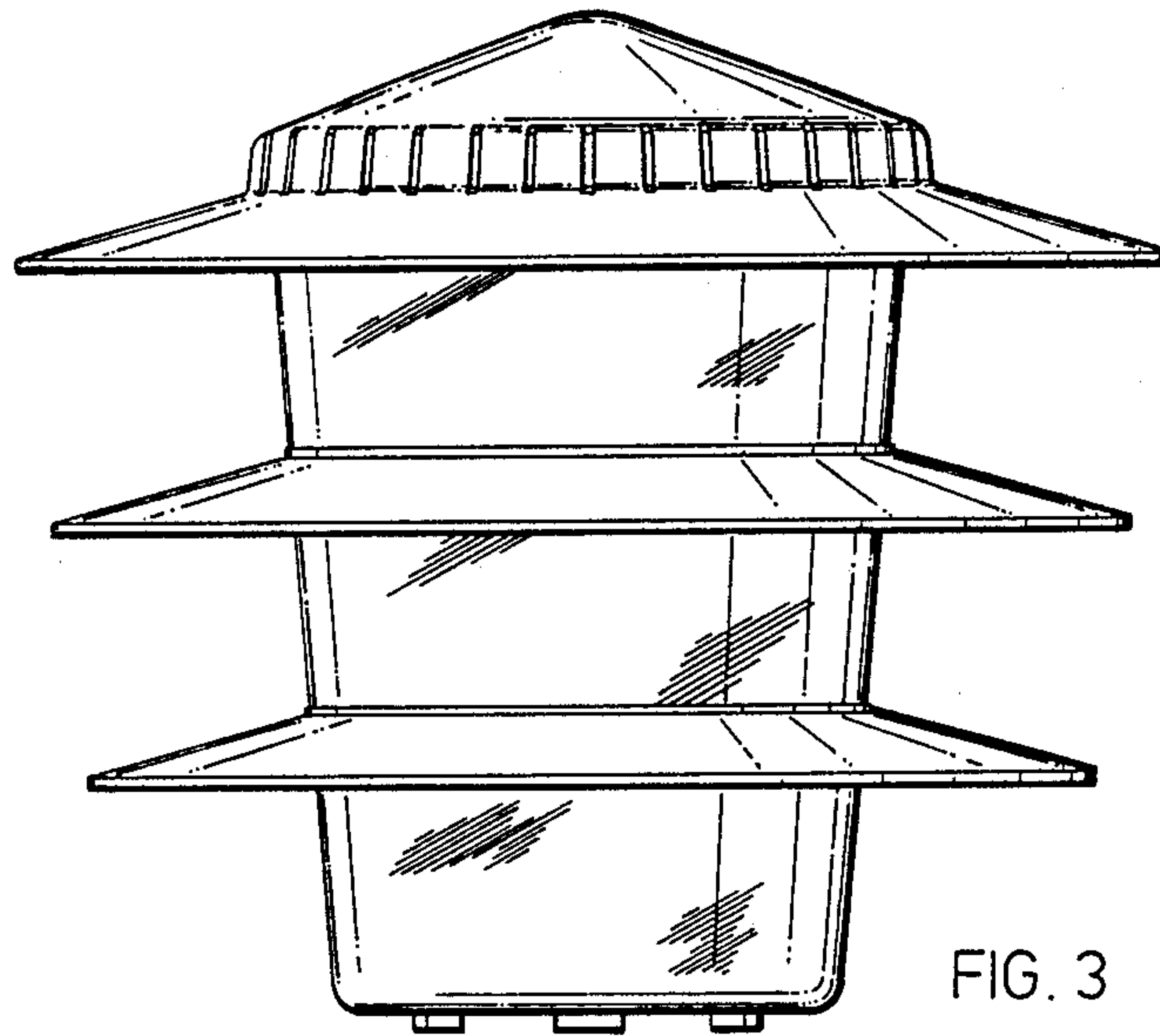


FIG. 3

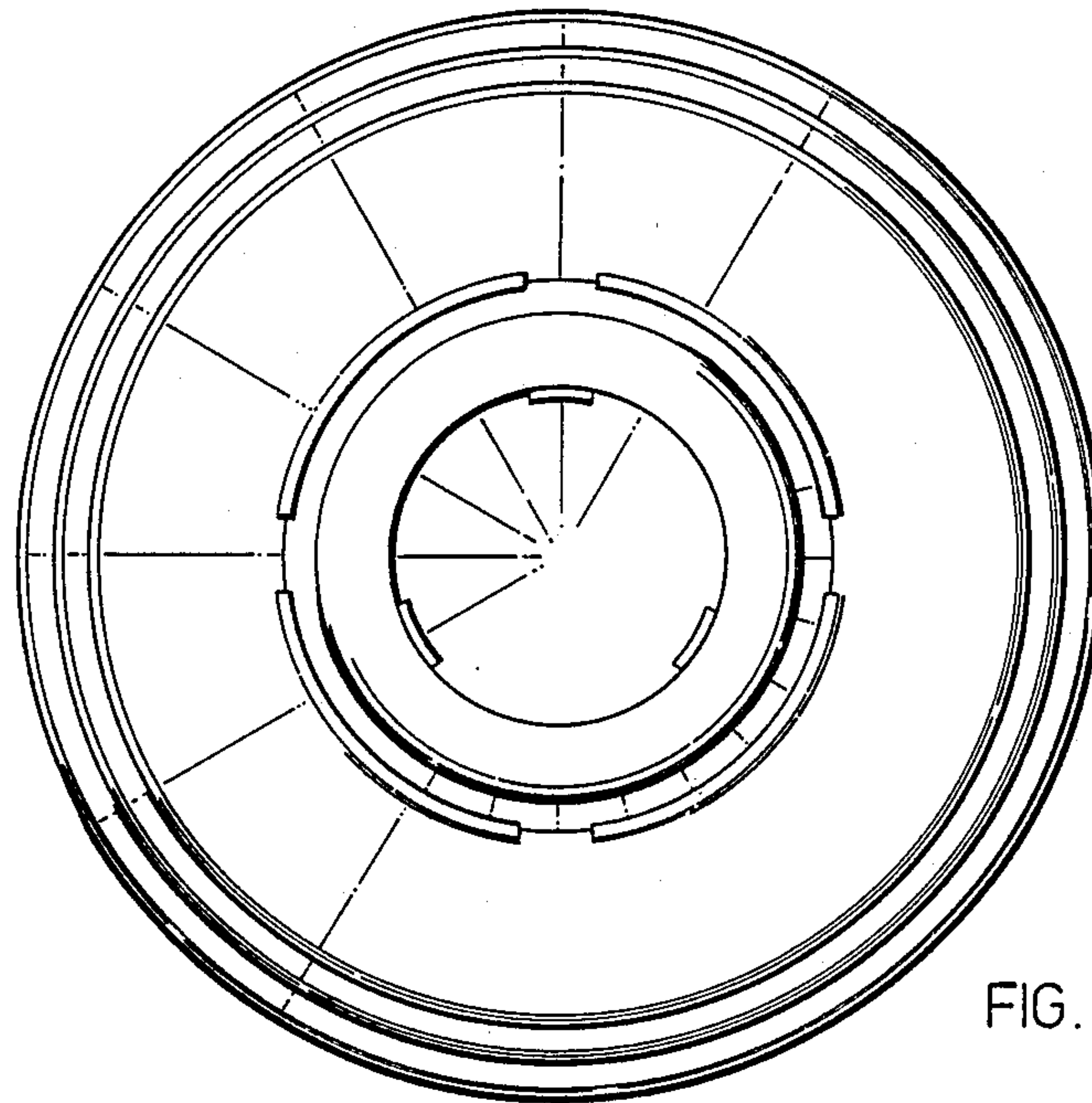


FIG. 4.

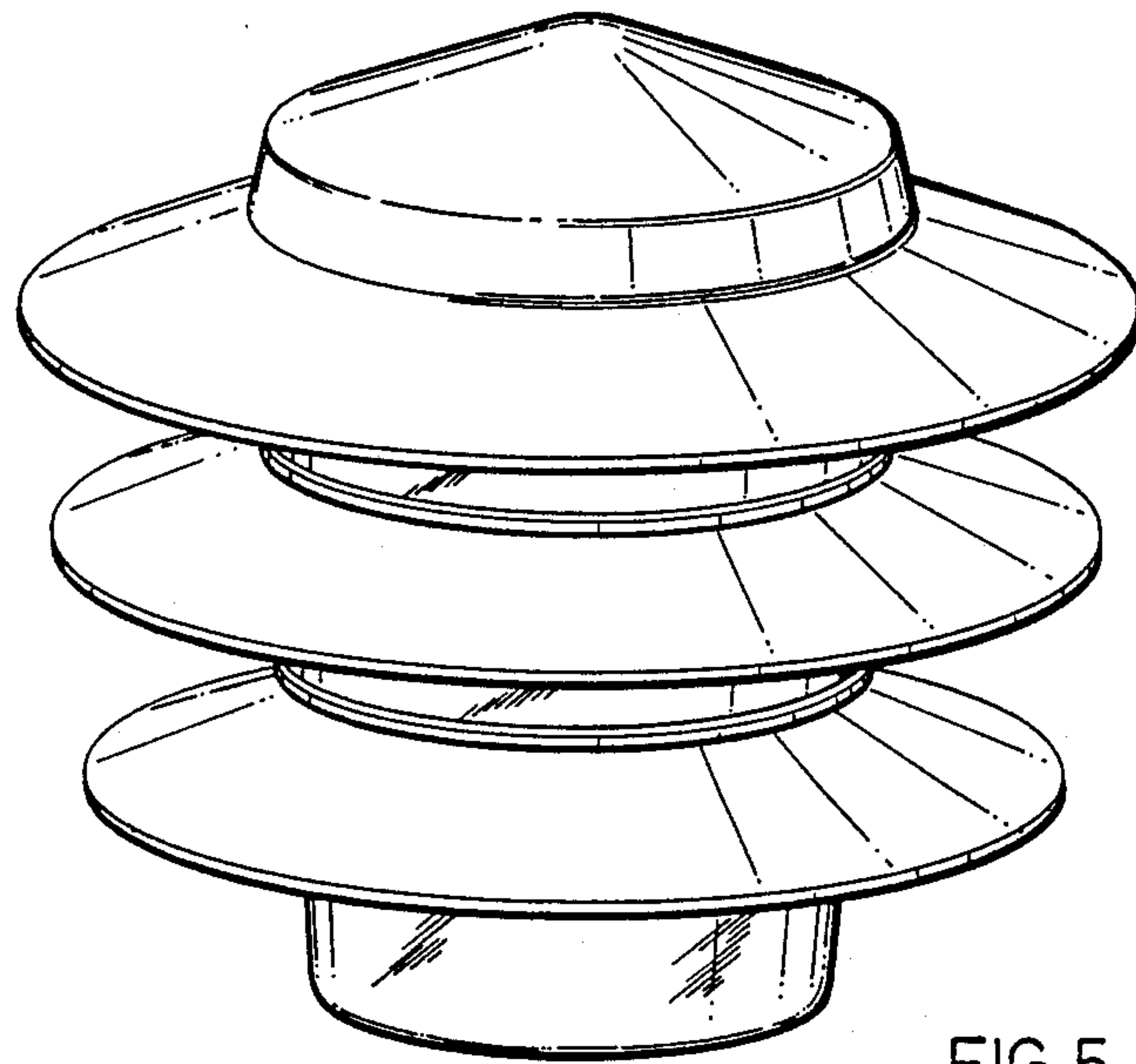


FIG. 5.

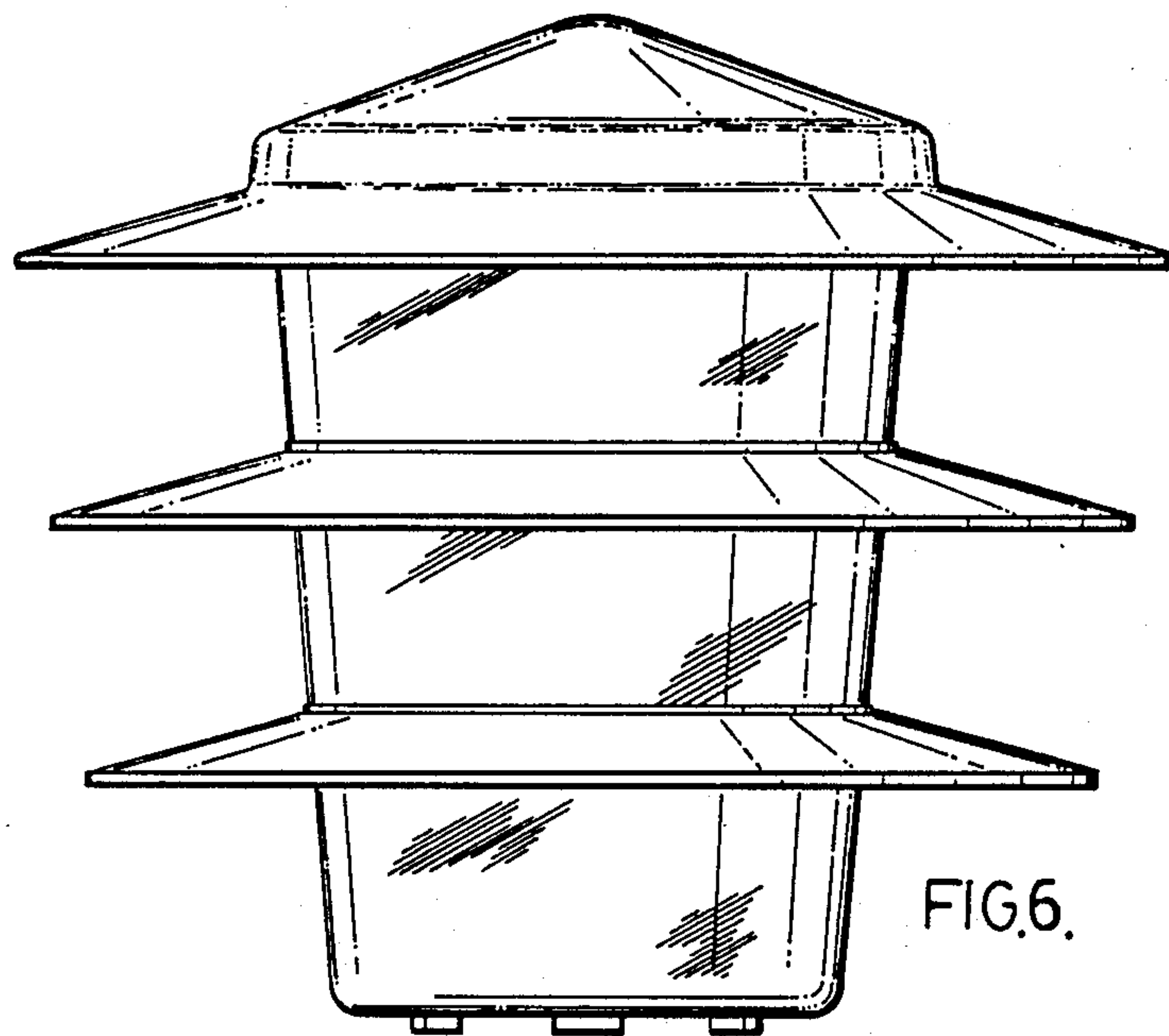


FIG. 6.