

[54] ADJUSTABLE FLOOR LAMP

[75] Inventor: Michele De Lucchi, Milan, Italy

[73] Assignee: Artemide S.p.A., Milan, Italy

[ \* ] Notice: The portion of the term of this patent subsequent to Aug. 8, 2003 has been disclaimed.

[\*\*] Term: 14 Years

[21] Appl. No.: 70,832

[22] Filed: Jul. 6, 1987

[30] Foreign Application Priority Data

Jan. 8, 1987 [IT] Italy ..... 20427/87[U]

[52] U.S. Cl. .... D26/65

[58] Field of Search ..... D26/60, 61, 62, 63, D26/64, 65; 362/410-414, 269, 270, 275, 287, 418, 419, 427

[56] References Cited

U.S. PATENT DOCUMENTS

- D. 264,634 5/1982 Okuno ..... D26/65
- 3,543,019 11/1970 Jacobsen ..... 362/413 X
- 3,694,647 9/1972 Chapman, Jr. et al. .... 362/411

4,213,172 7/1980 Scattolin et al. .... 362/413

FOREIGN PATENT DOCUMENTS

117122 7/1946 Sweden ..... 362/427

Primary Examiner—Susan J. Lucas

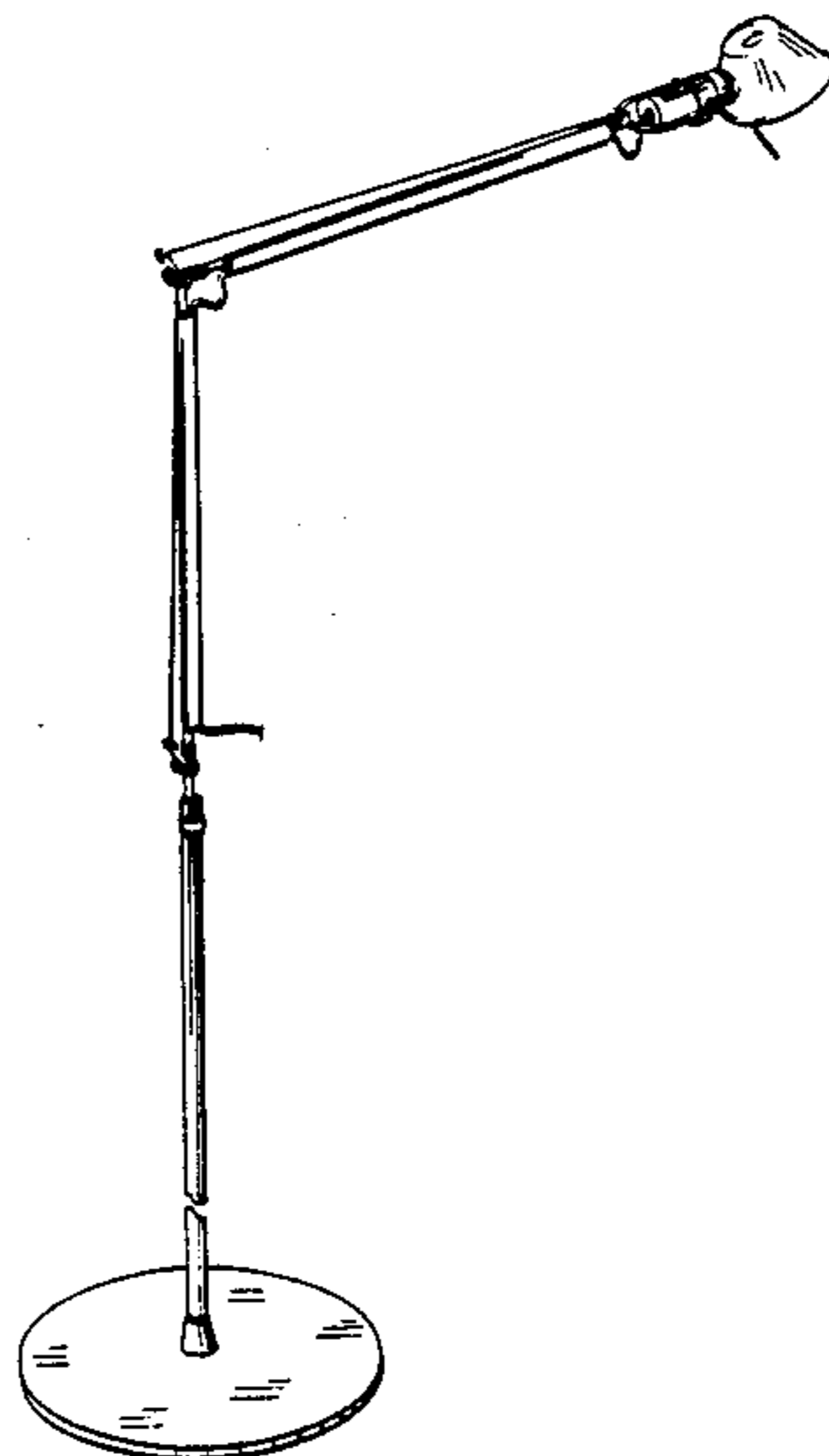
Attorney, Agent, or Firm—Guido Modiano; Albert Josif

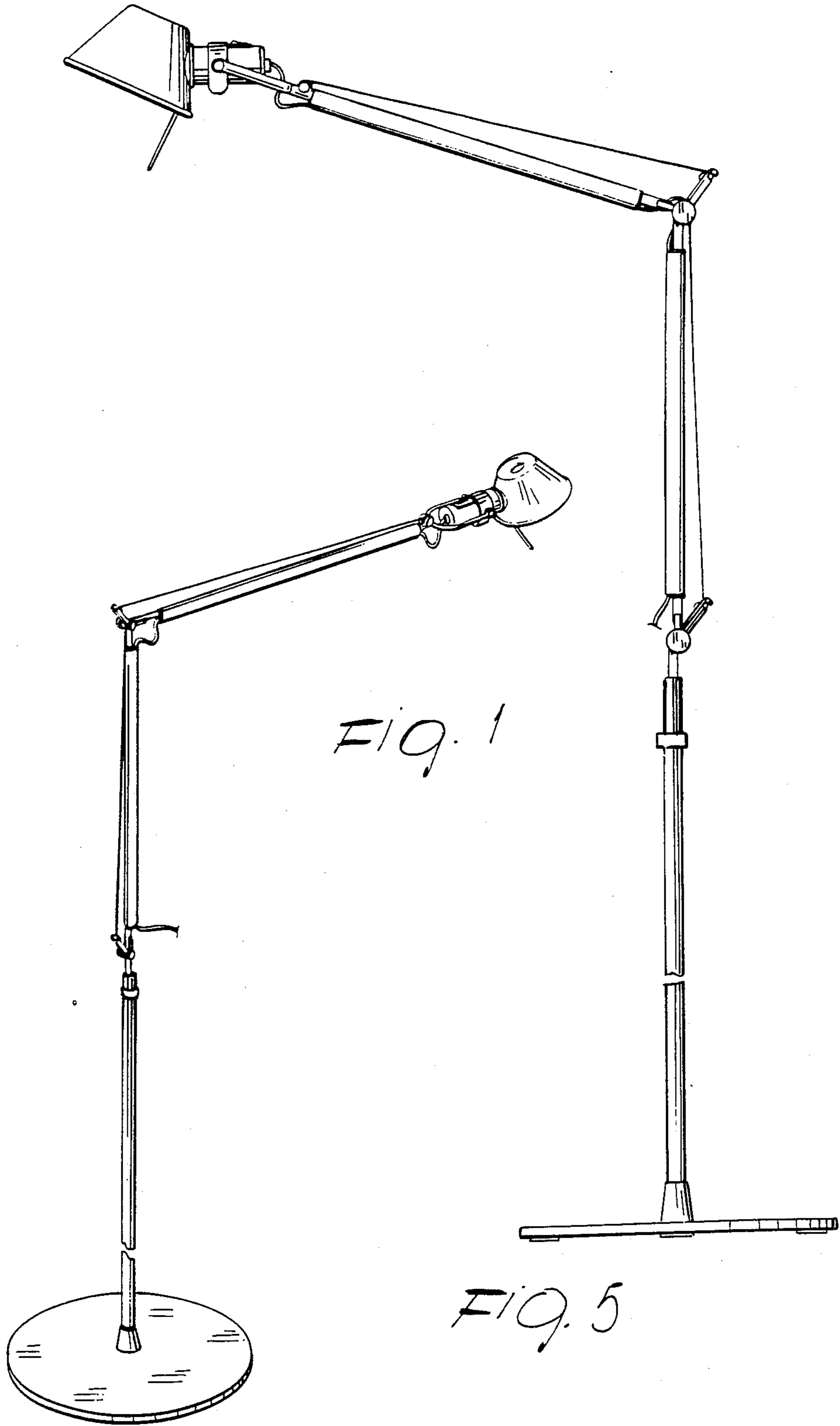
[57] CLAIM

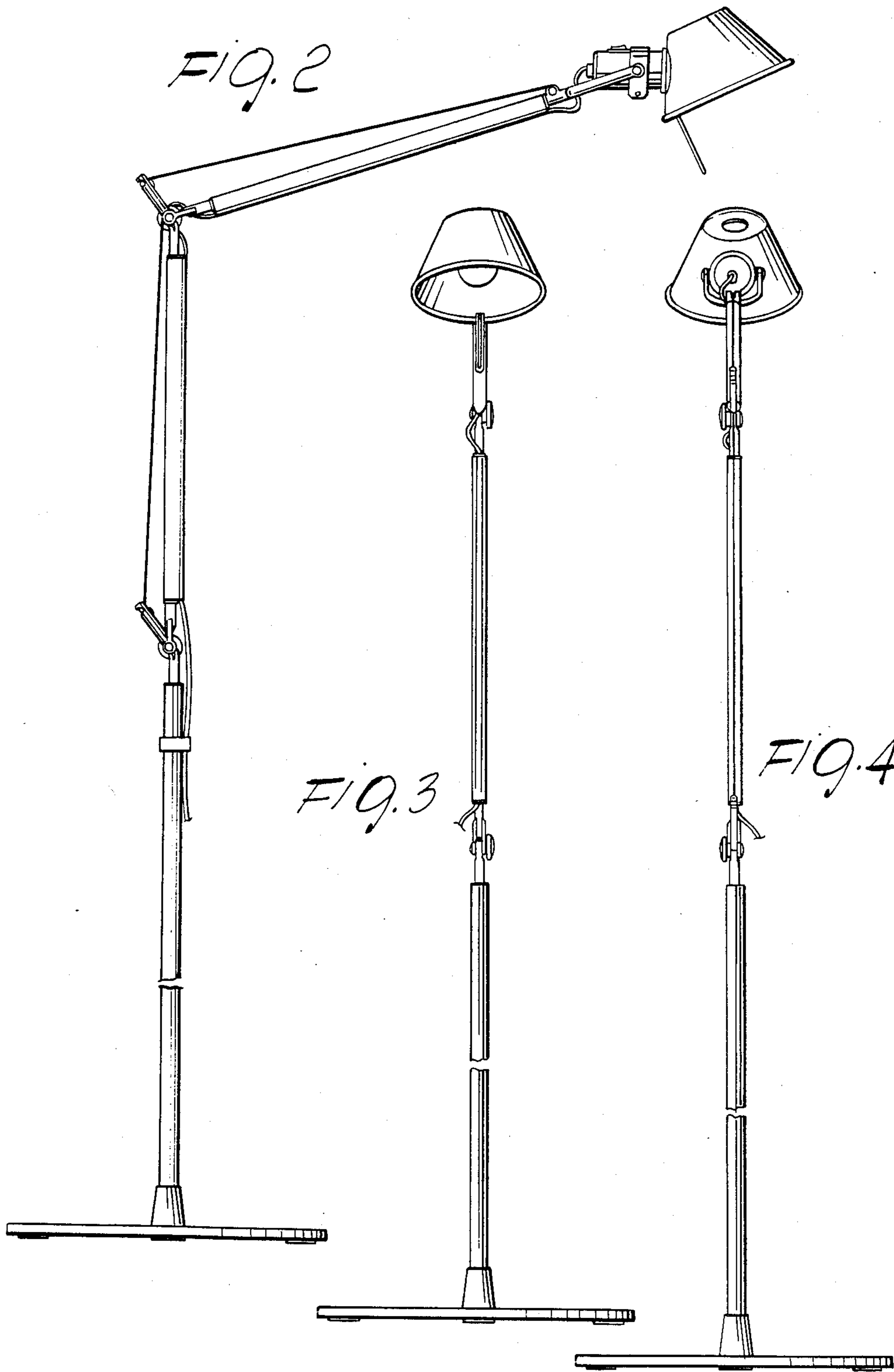
The ornamental design for adjustable floor lamp, as shown and described.

DESCRIPTION

FIG. 1 is a top, rear, right side perspective view of an adjustable floor lamp showing my new design;  
 FIG. 2 is a right side elevational view thereof on an enlarged scale;  
 FIG. 3 is a front elevational view thereof on an enlarged scale;  
 FIG. 4 is a rear elevational view thereof on an enlarged scale;  
 FIG. 5 is a left side elevational view thereof on an enlarged scale;  
 FIG. 6 is a top plan view thereof on an enlarged scale;  
 FIG. 7 is a bottom plan view thereof on an enlarged scale.







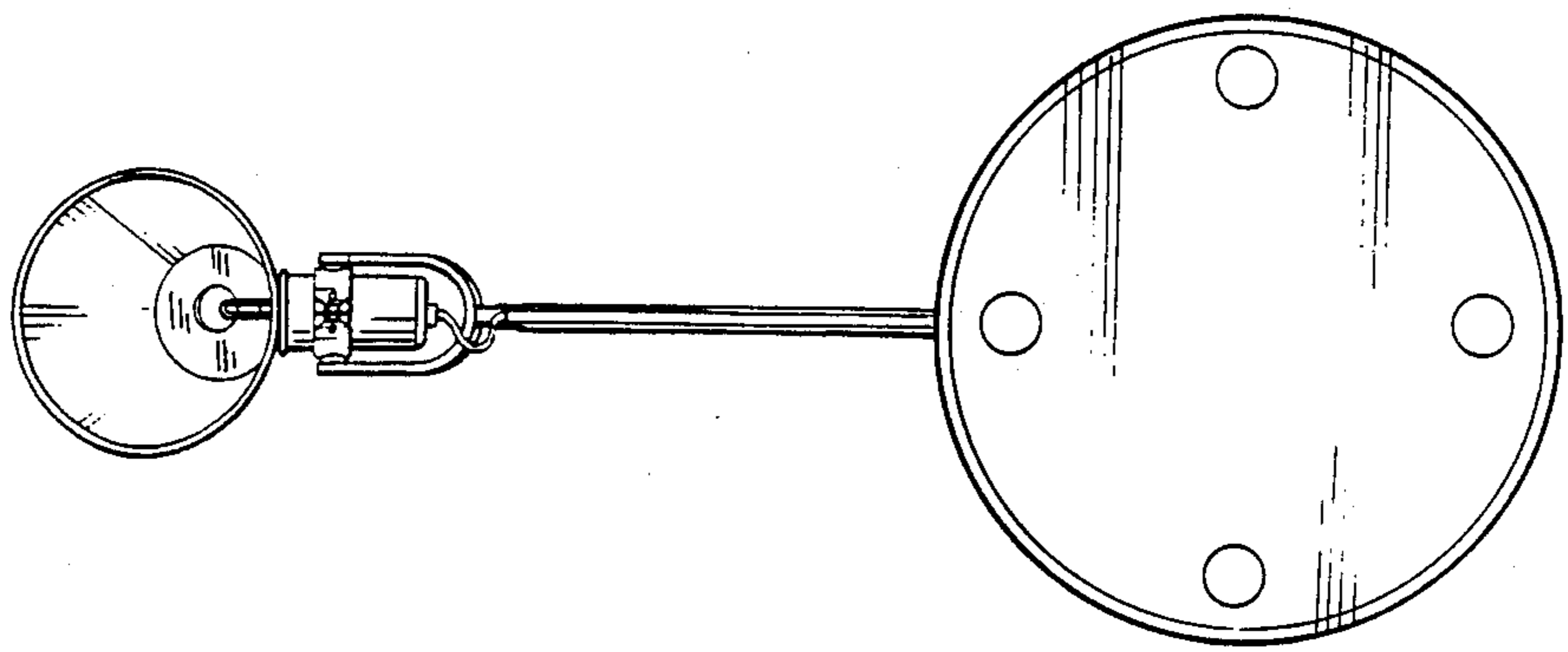
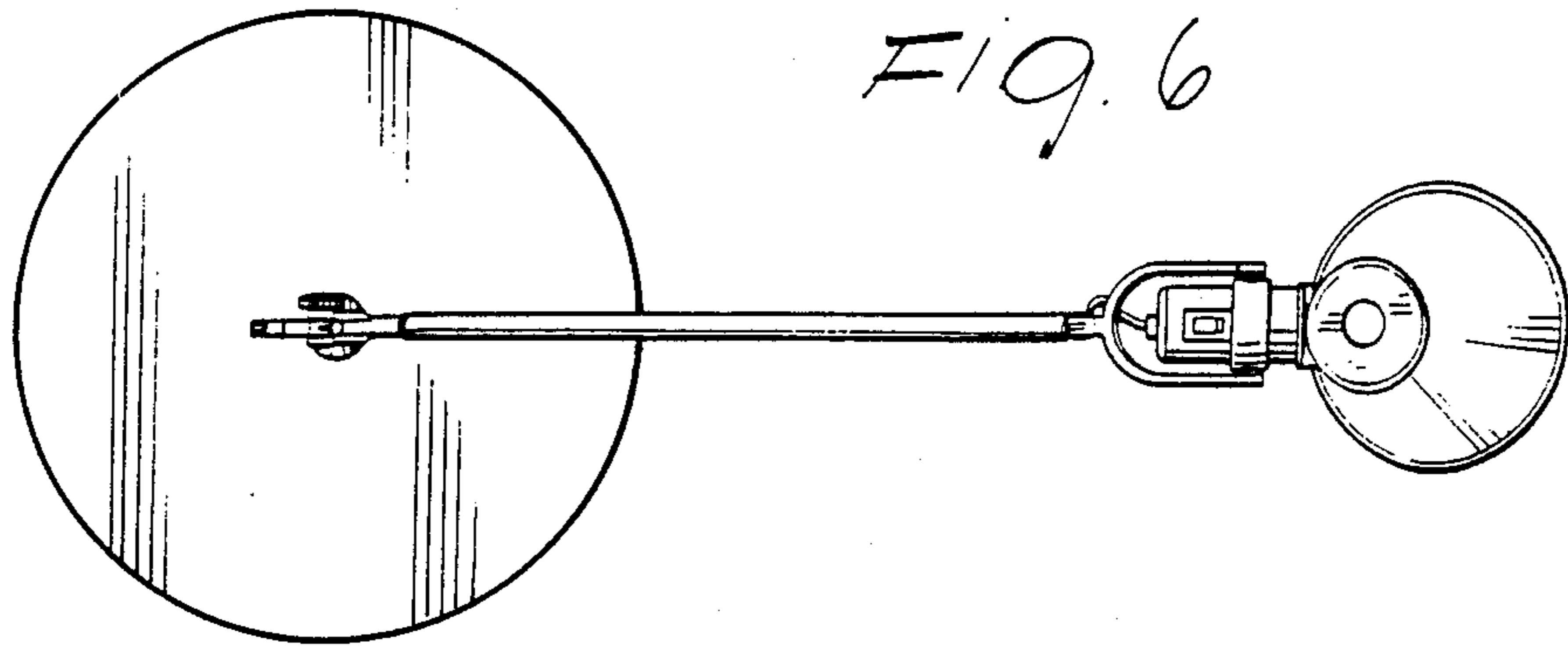


FIG. 7