

[54] **INTRAVENOUS PUMP CASSETTE**
 [75] **Inventor: John Pastrone, Los Gatos, Calif.**
 [73] **Assignee: Abbott Laboratories, Abbott Park, Ill.**
 [**] **Term: 14 Years**
 [21] **Appl. No.: 46,051**
 [22] **Filed: May 1, 1987**
 [52] **U.S. Cl. D24/8**
 [58] **Field of Search D24/52, 51; 128/DIG. 12; 417/360, 383, 435, 510, 518, 417, 565, 566, 474, 479, 480, 478, 476, 490, 443, 53, 560, 236, 238, 385, 395, 900, 502, 506; 604/153, 123, 152, 122, 33, 141, 81, 250, 249, 67, 65, 31, 34, 51, 245, 246**

4,142,524 3/1979 Jassawalla et al. 604/123
 4,303,376 12/1981 Siekmann 604/141
 4,453,931 6/1984 Pastrone 604/153

Primary Examiner—Wallace R. Burke
Assistant Examiner—Stella M. Reid
Attorney, Agent, or Firm—Robert W. Stevenson;
 Michael J. Roth; Robert E. Wexler

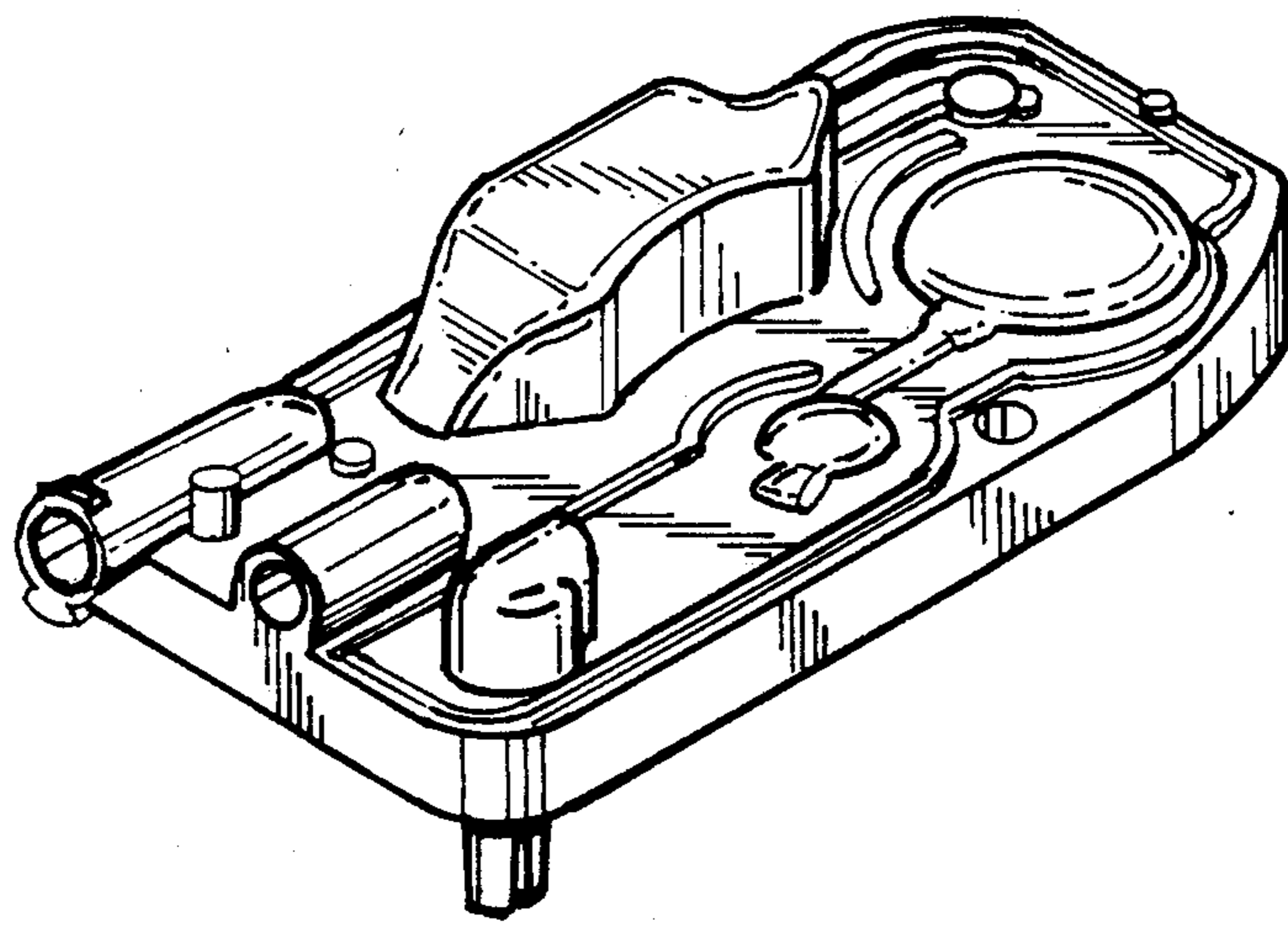
[57] **CLAIM**

The ornamental design for an intravenous pump cassette, as shown and described.

DESCRIPTION

FIG. 1 is a perspective view of an intravenous pump cassette, showing my new design;
 FIG. 2 is a front elevational view thereof;
 FIG. 3 is a top plan view thereof;
 FIG. 4 is a left side elevational view thereof;
 FIG. 5 is a bottom plan view thereof;
 FIG. 6 is a rear elevational view thereof; and
 FIG. 7 is a right side elevational view thereof.

[56] **References Cited**
U.S. PATENT DOCUMENTS
 D. 270,089 8/1983 Vcelka D24/8



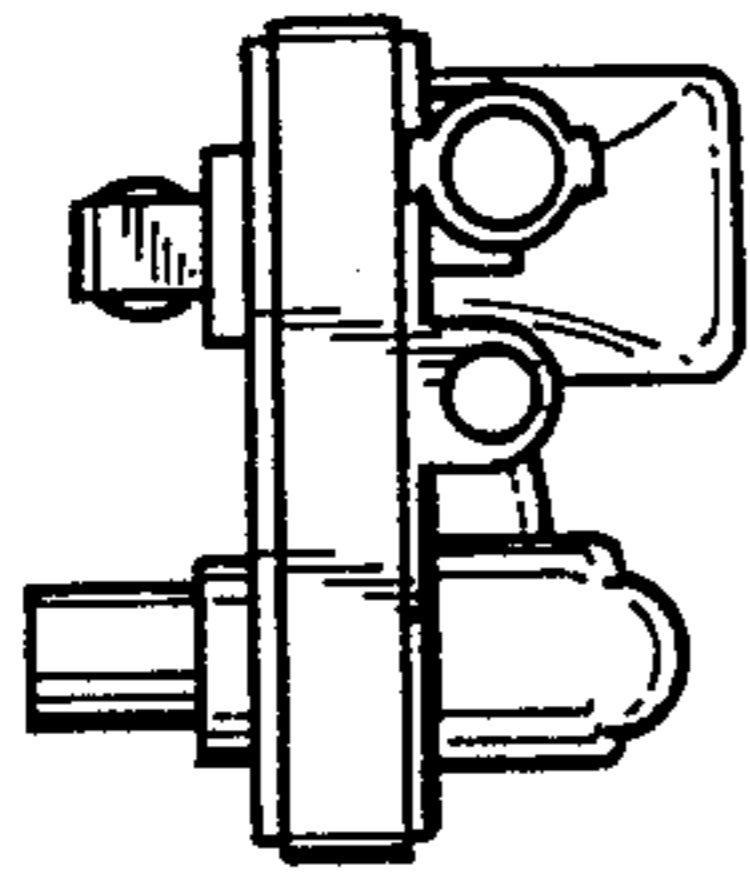


FIG. 3

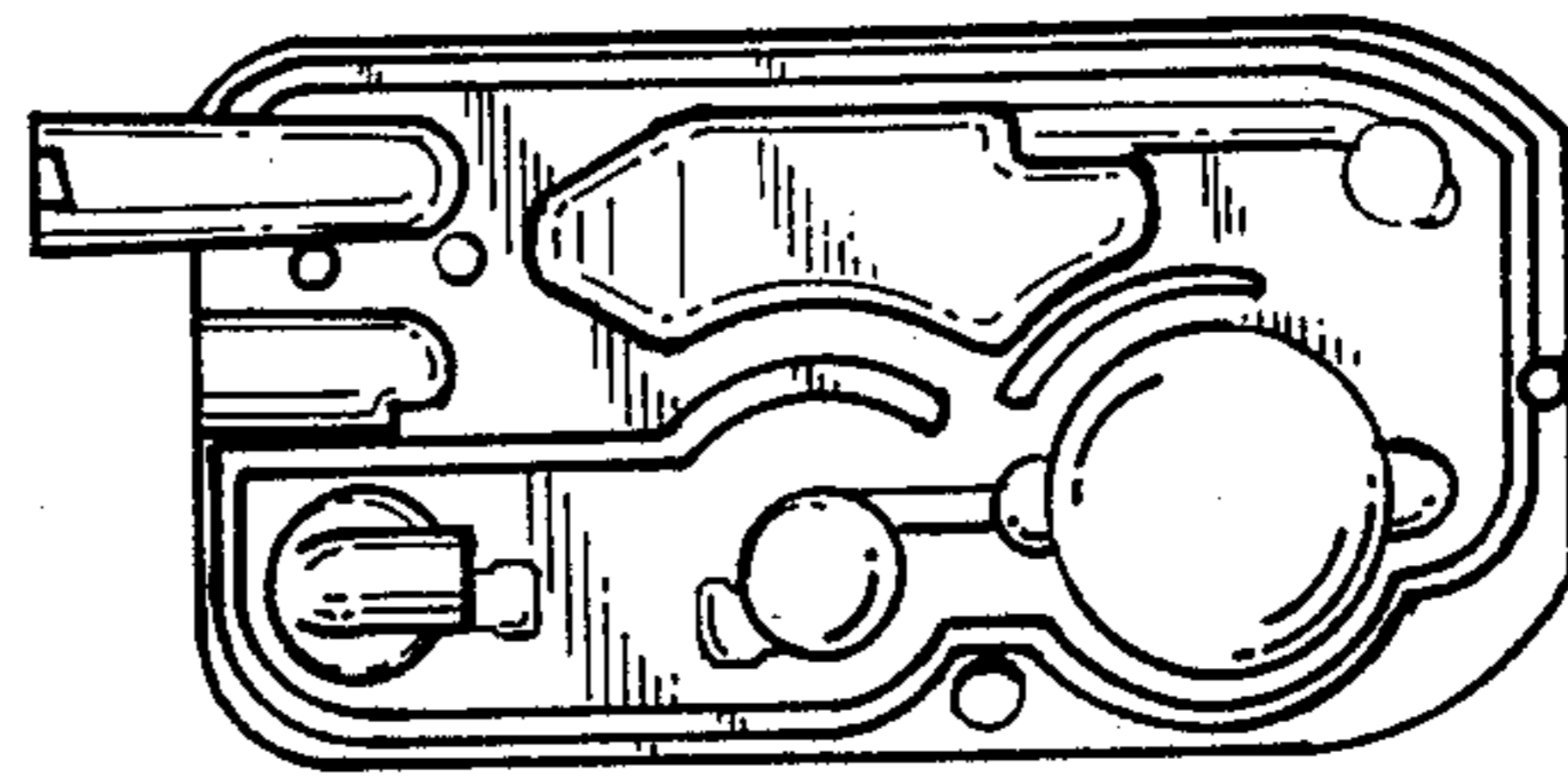


FIG. 2

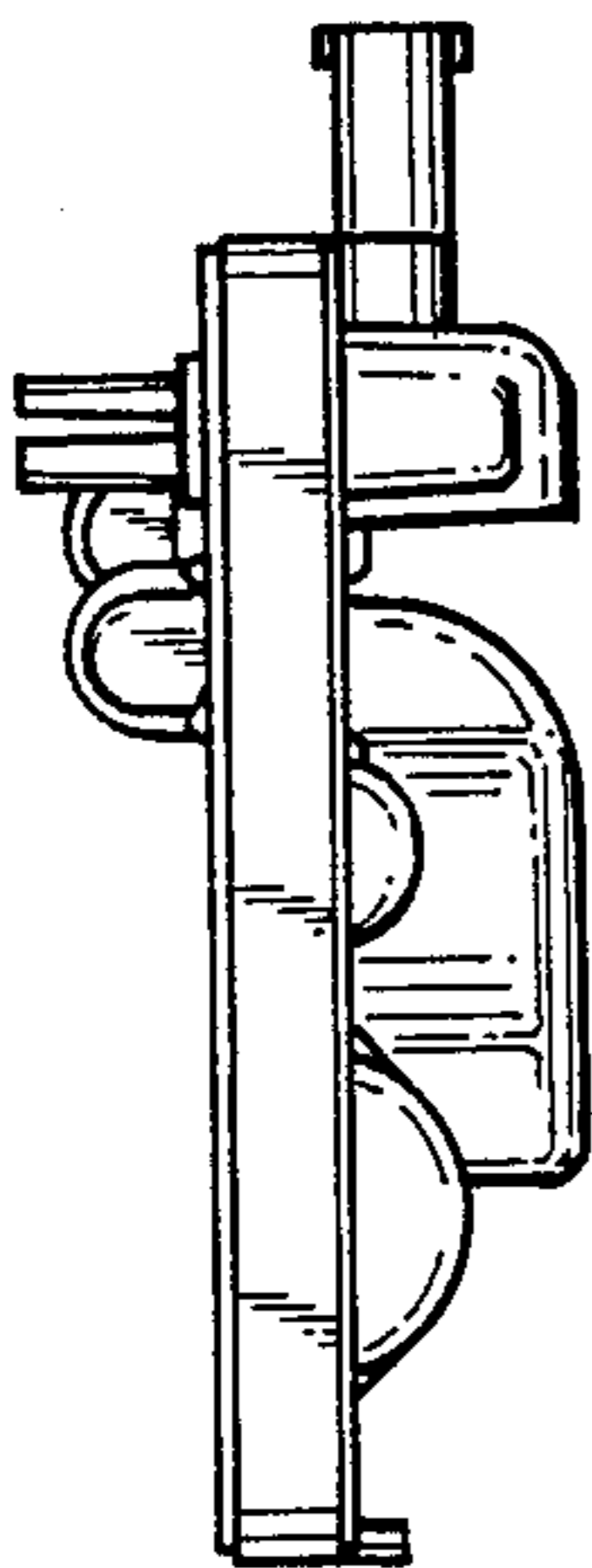


FIG. 4

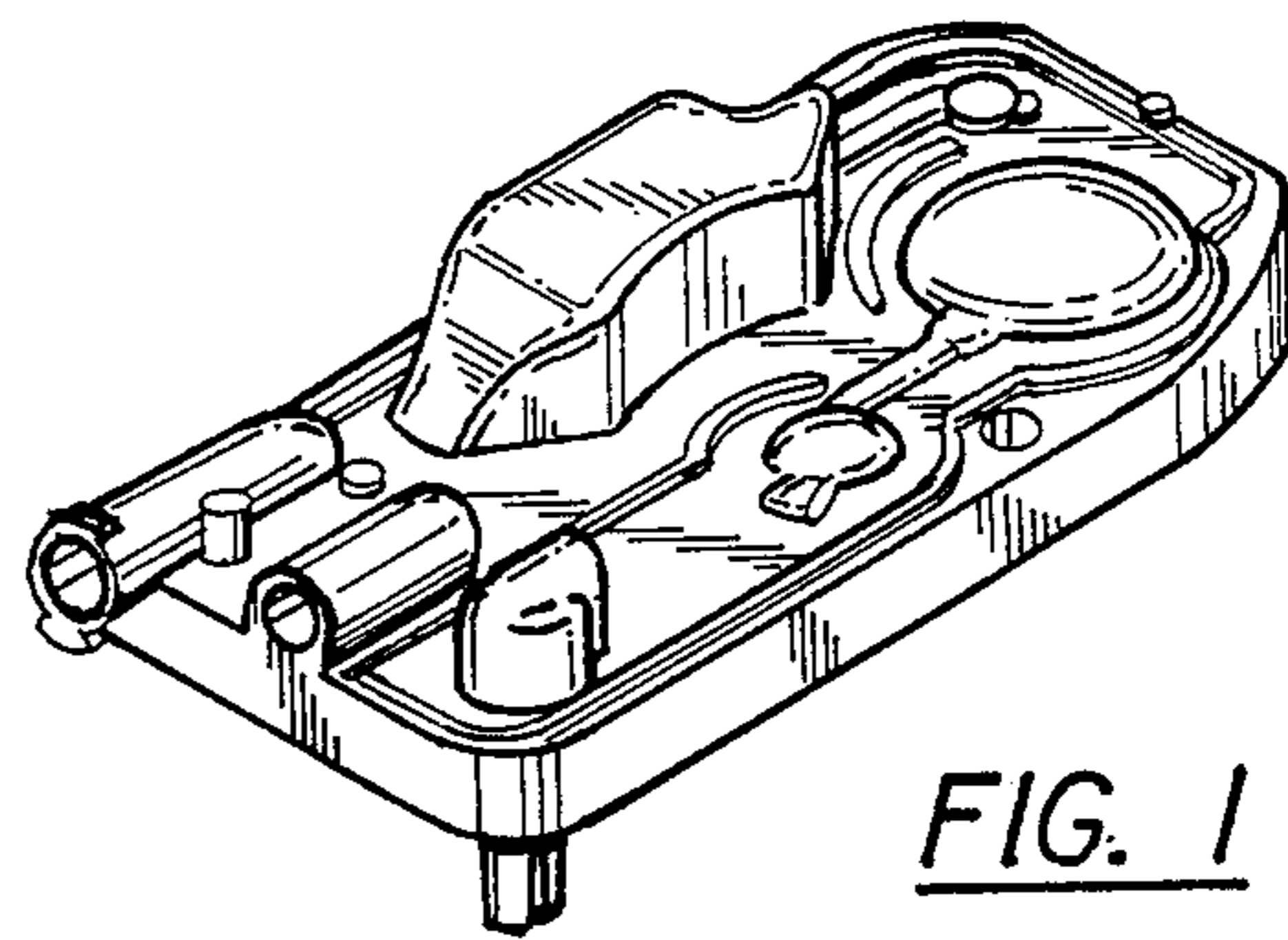


FIG. 1

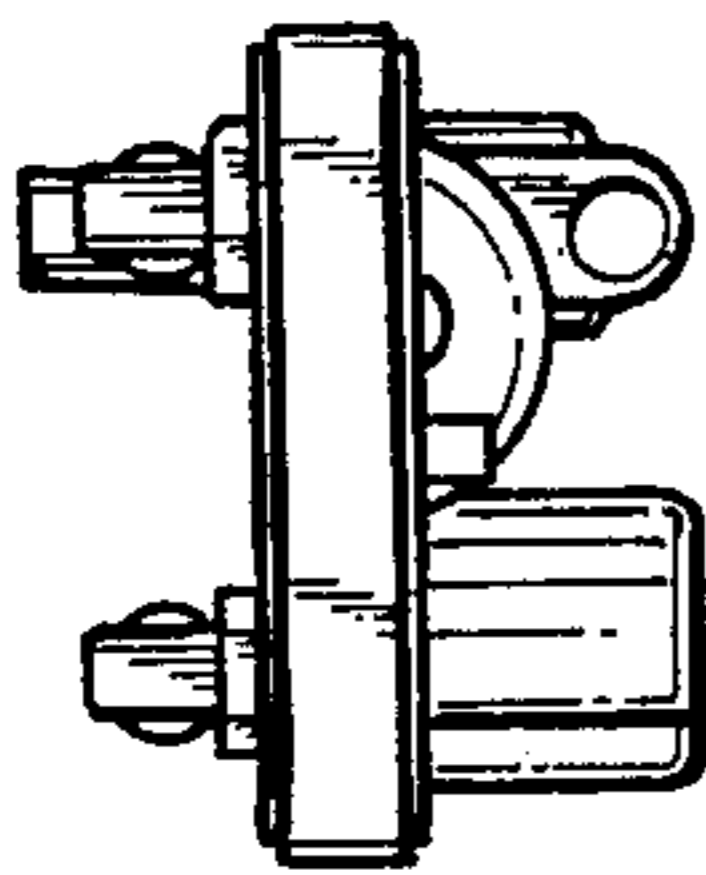


FIG. 5

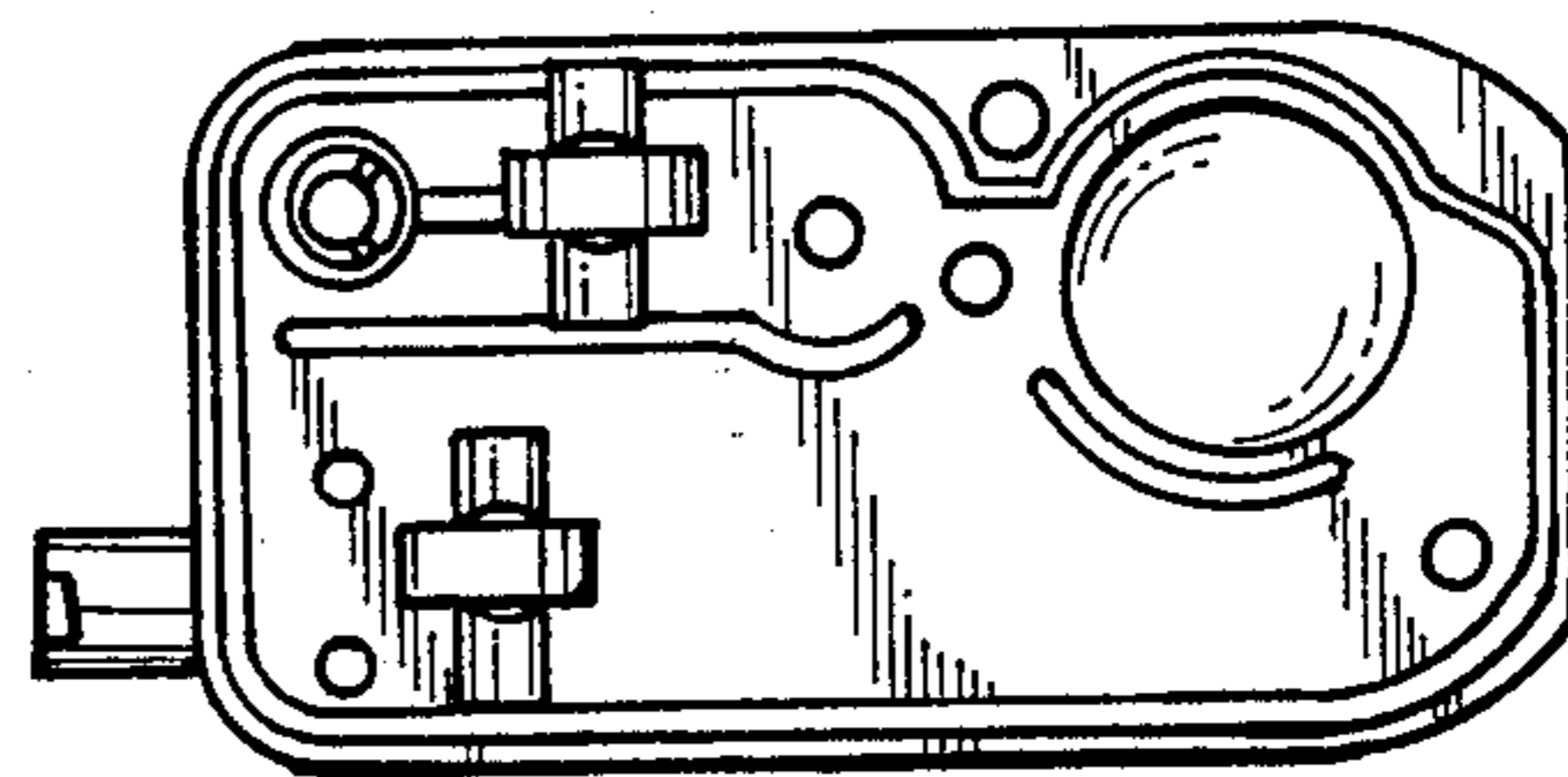


FIG. 6

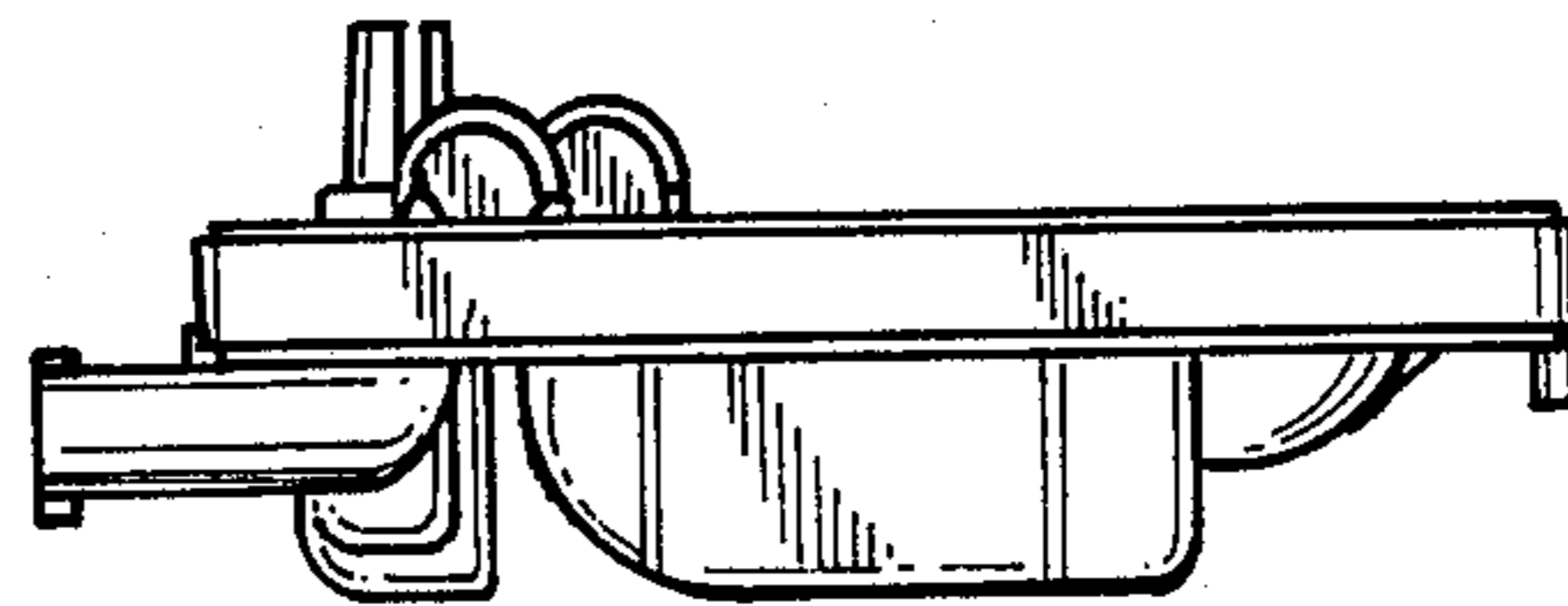


FIG. 7