

[54] **PAINT SPRAY GUN MANIFOLD  
ATTACHMENT**

[76] **Inventor: Richard A. Samford, 6614 Acorn Hill  
Rd., Placerville, Calif. 95667**

[\*\*] **Term: 14 Years**

[21] **Appl. No.: 183,033**

[22] **Filed: Apr. 18, 1988**

[52] **U.S. Cl. .... D23/263; D23/223**

[58] **Field of Search ..... D23/213, 224, 225, 223,  
D23/229, 249, 259, 262, 263; 239/310, 392, 390,  
394, 558, 397**

[56] **References Cited**

**U.S. PATENT DOCUMENTS**

D. 234,979	4/1975	Miller .....	D23/263
D. 293,811	1/1988	Bennington et al. ....	D23/263
501,125	7/1893	Wilberg .....	239/392
3,637,142	1/1972	Gassaway .....	239/394

4,760,961 8/1988 Nagai ..... 239/397

**FOREIGN PATENT DOCUMENTS**

0654299 4/1979 U.S.S.R. .... 239/397

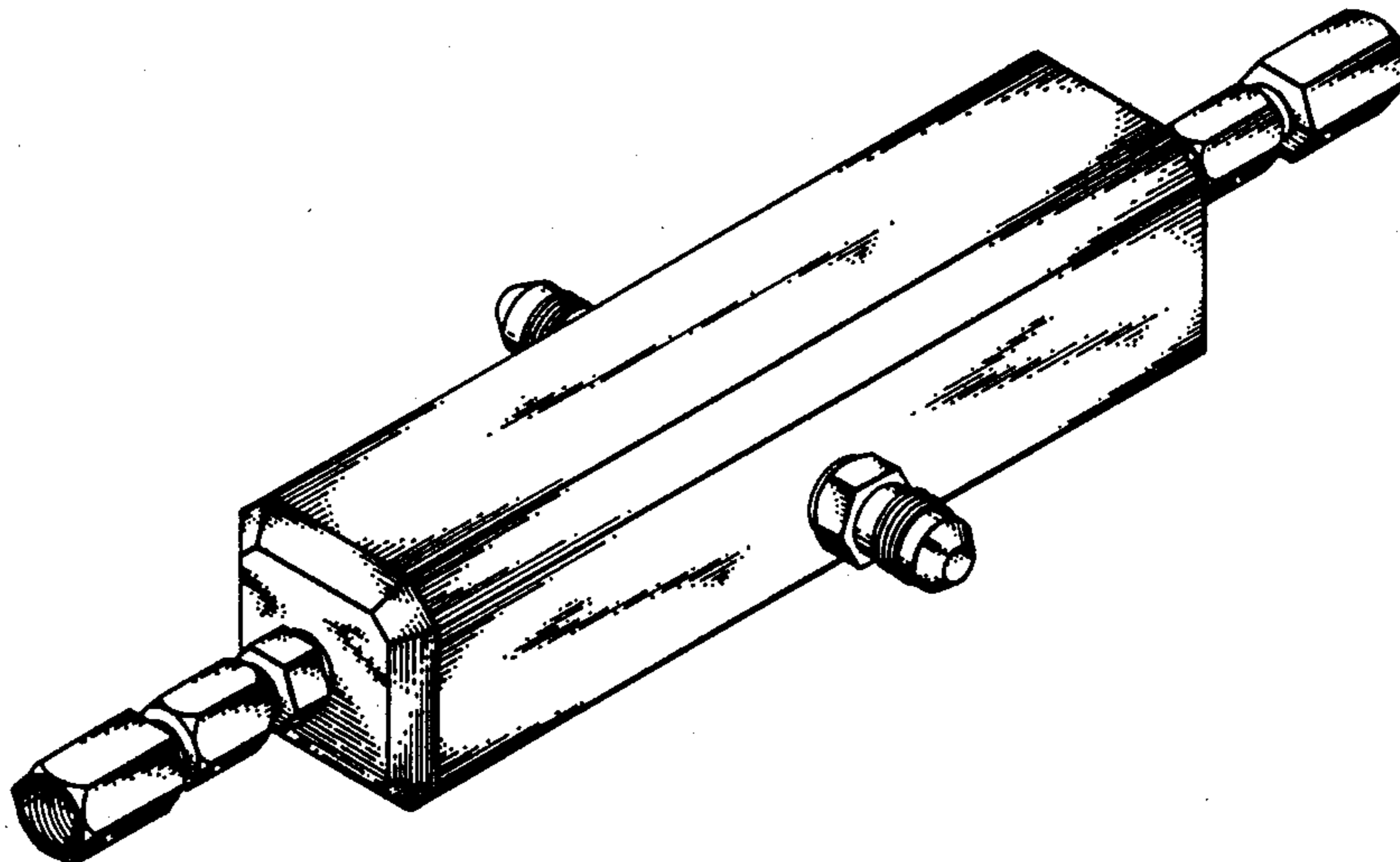
*Primary Examiner*—Susan J. Lucas  
*Assistant Examiner*—Melanie Tung  
*Attorney, Agent, or Firm*—Lothrop & West

[57] **CLAIM**

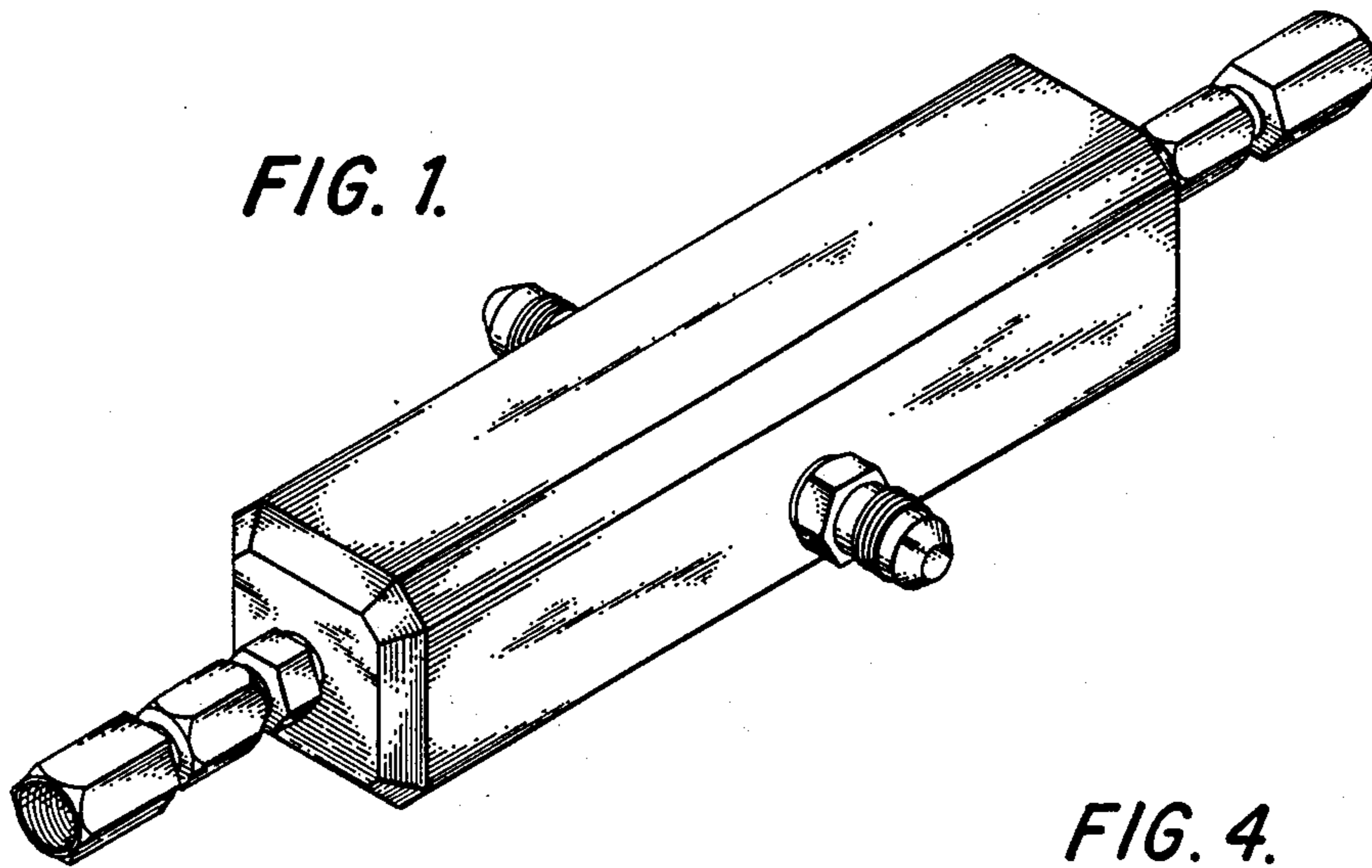
The ornamental design for a paint spray gun manifold attachment, as shown and described.

**DESCRIPTION**

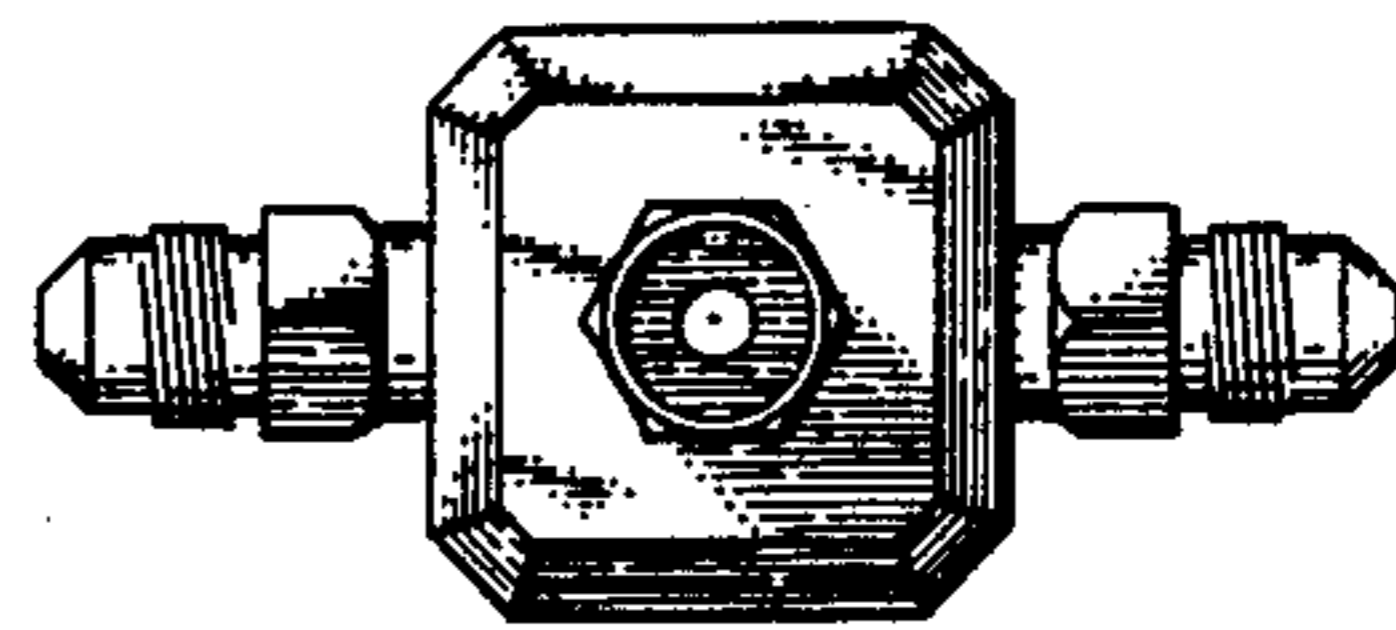
FIG. 1 is a perspective view of a paint spray gun manifold attachment, showing my new design;  
FIG. 2 is a top plan view thereof, the bottom plan being a mirror image;  
FIG. 3 is an elevational view of one side thereof, the opposite side being a mirror image; and,  
FIG. 4 is an elevational view of one end thereof, the opposite end being a mirror image.



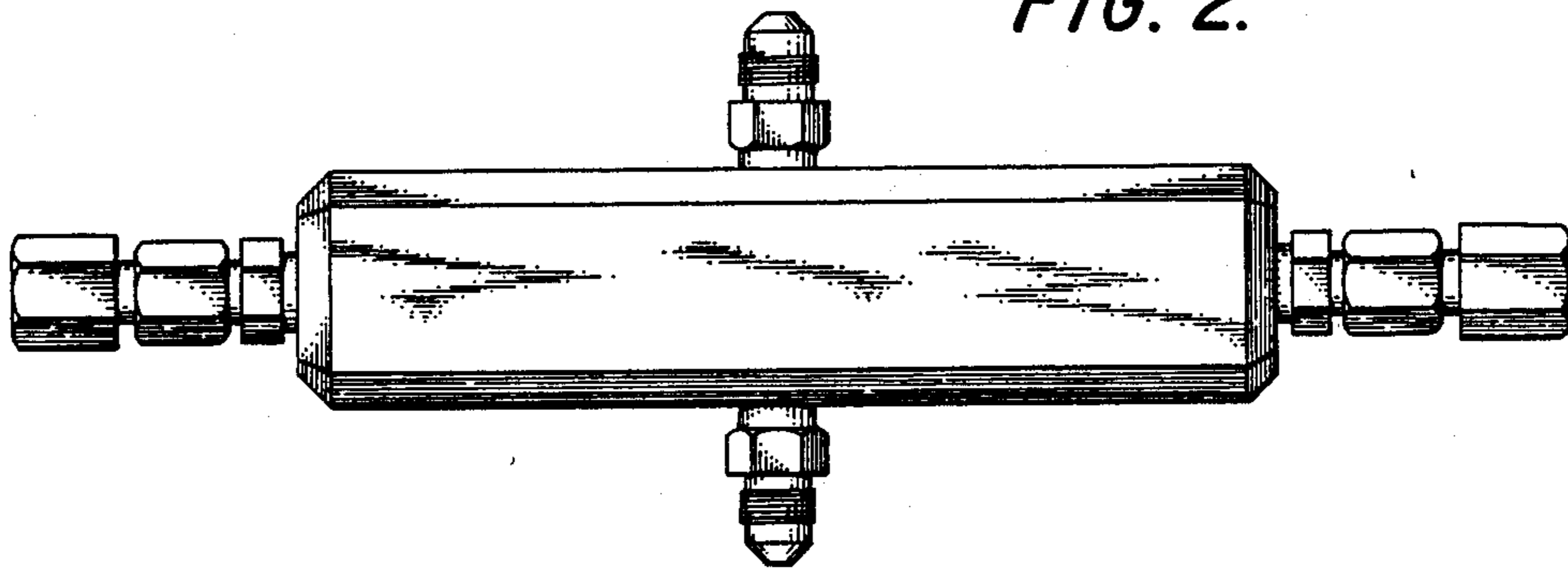
*FIG. 1.*



*FIG. 4.*



*FIG. 2.*



*FIG. 3.*

