

[54] **REAR SIGHT FOR A PISTOL**

[76] **Inventor: Wayne F. Novak, 1206½ 30th Street, P.O. Box 4045, Parkersburg, W. Va. 26102**

[\*\*] **Term: 14 Years**

[21] **Appl. No.: 52,765**

[22] **Filed: May 21, 1987**

[52] **U.S. Cl. .... D22/109**

[58] **Field of Search ..... 42/100; 33/233; D22/109**

[56] **References Cited**

**U.S. PATENT DOCUMENTS**

- D. 273,217 3/1984 Swenson ..... D22/109
- D. 277,774 2/1985 Ruffino ..... D22/109
- 3,662,469 5/1972 Charron ..... 42/100

*Primary Examiner—Wallace R. Burke  
Assistant Examiner—Doris Clark  
Attorney, Agent, or Firm—Polster, Polster and Lucchesi*

[57] **CLAIM**

The ornamental design for a rear sight for a pistol, as shown and described.

**DESCRIPTION**

FIG. 1 is a view in rear perspective showing my design for a rear sight for a pistol, the pistol slide shown in phantom lines forming no part of my design;  
FIG. 2 is a view in right side elevation thereof, the pistol slide shown in phantom lines forming no part of my design;  
FIG. 3 is a view in left side elevation thereof;  
FIG. 4 is a top plan view thereof;  
FIG. 5 is a bottom plan view thereof;  
FIG. 6 is a view in rear elevation thereof; and  
FIG. 7 is a view in front elevation thereof.

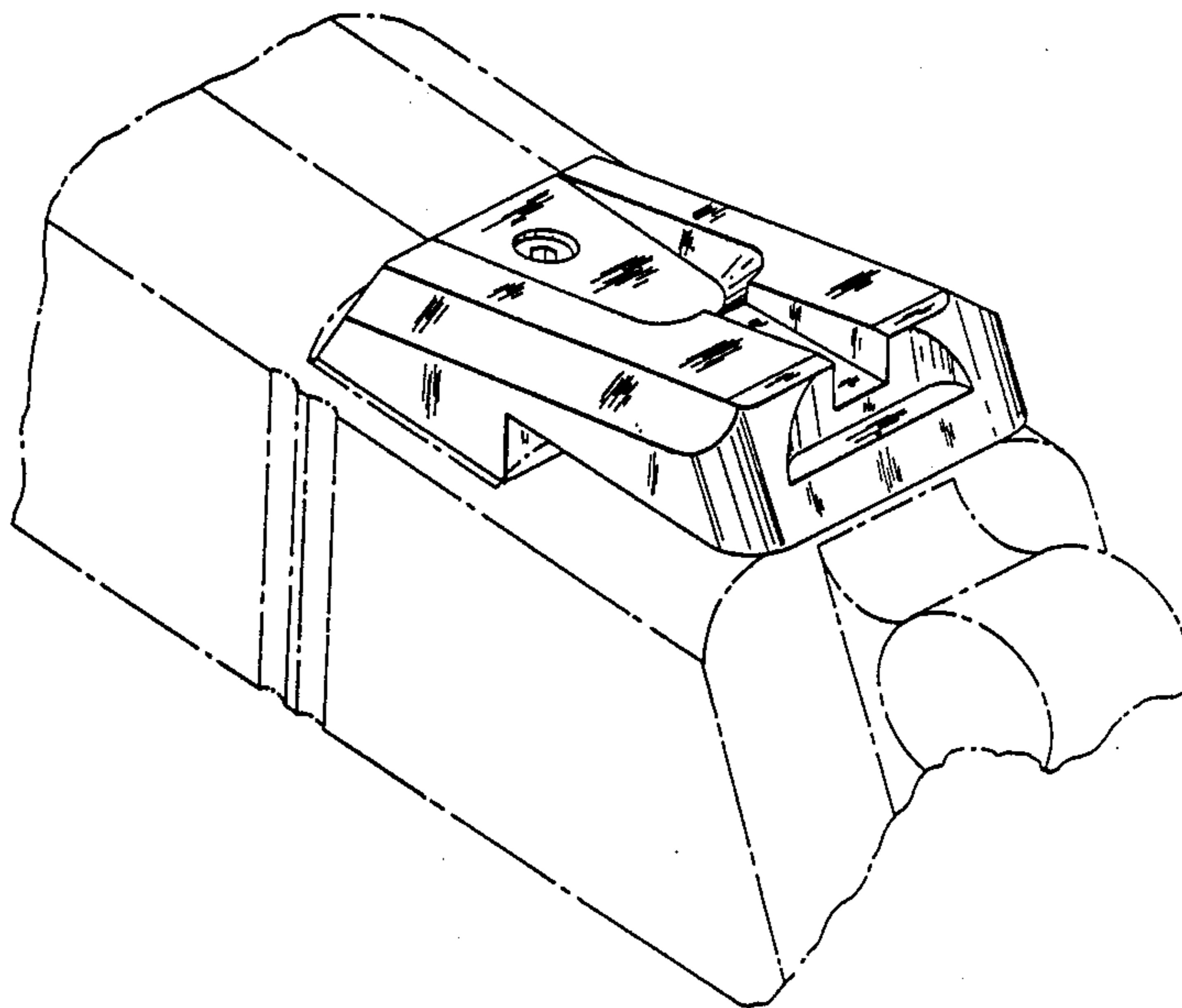


FIG. 1

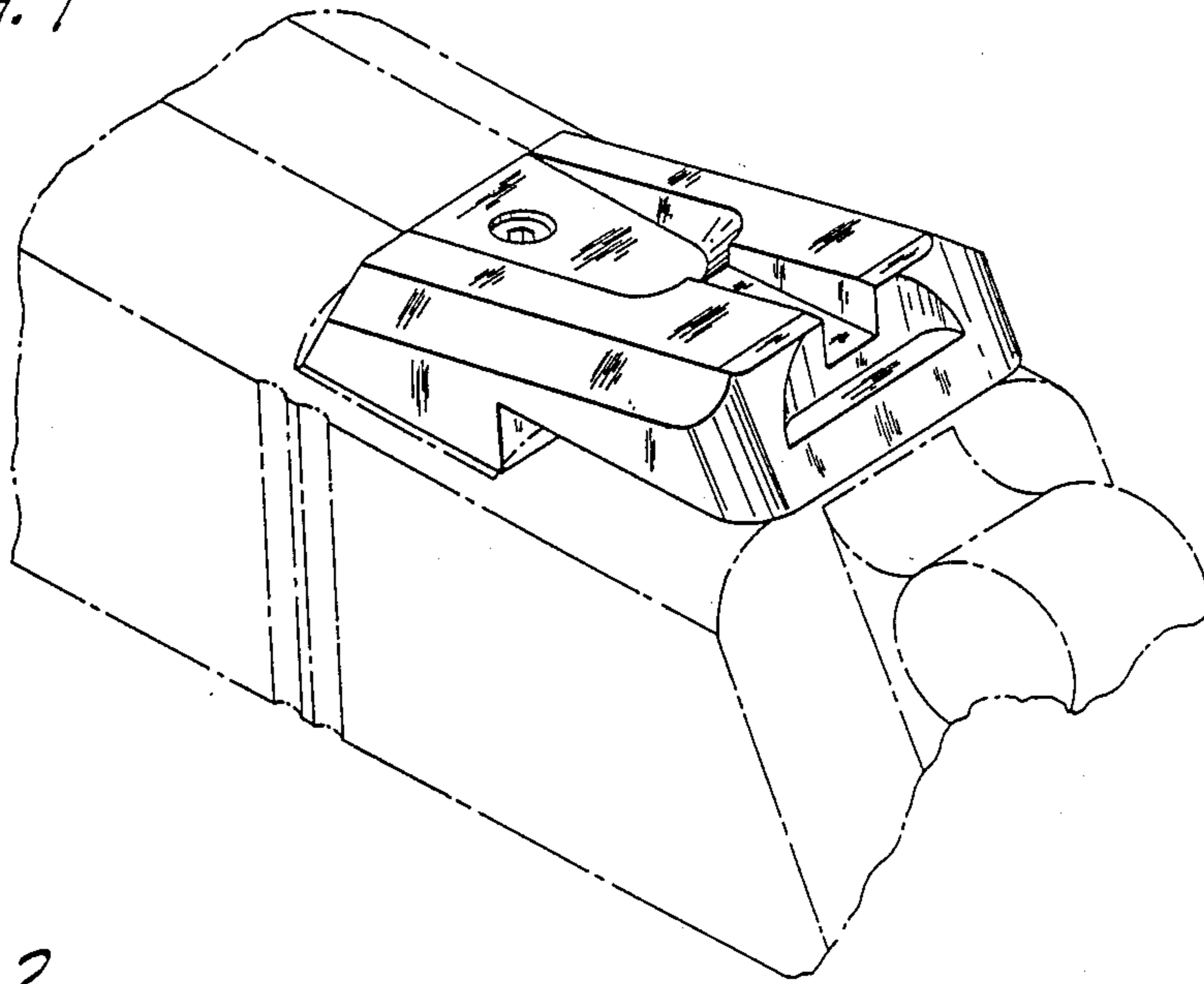


FIG. 2

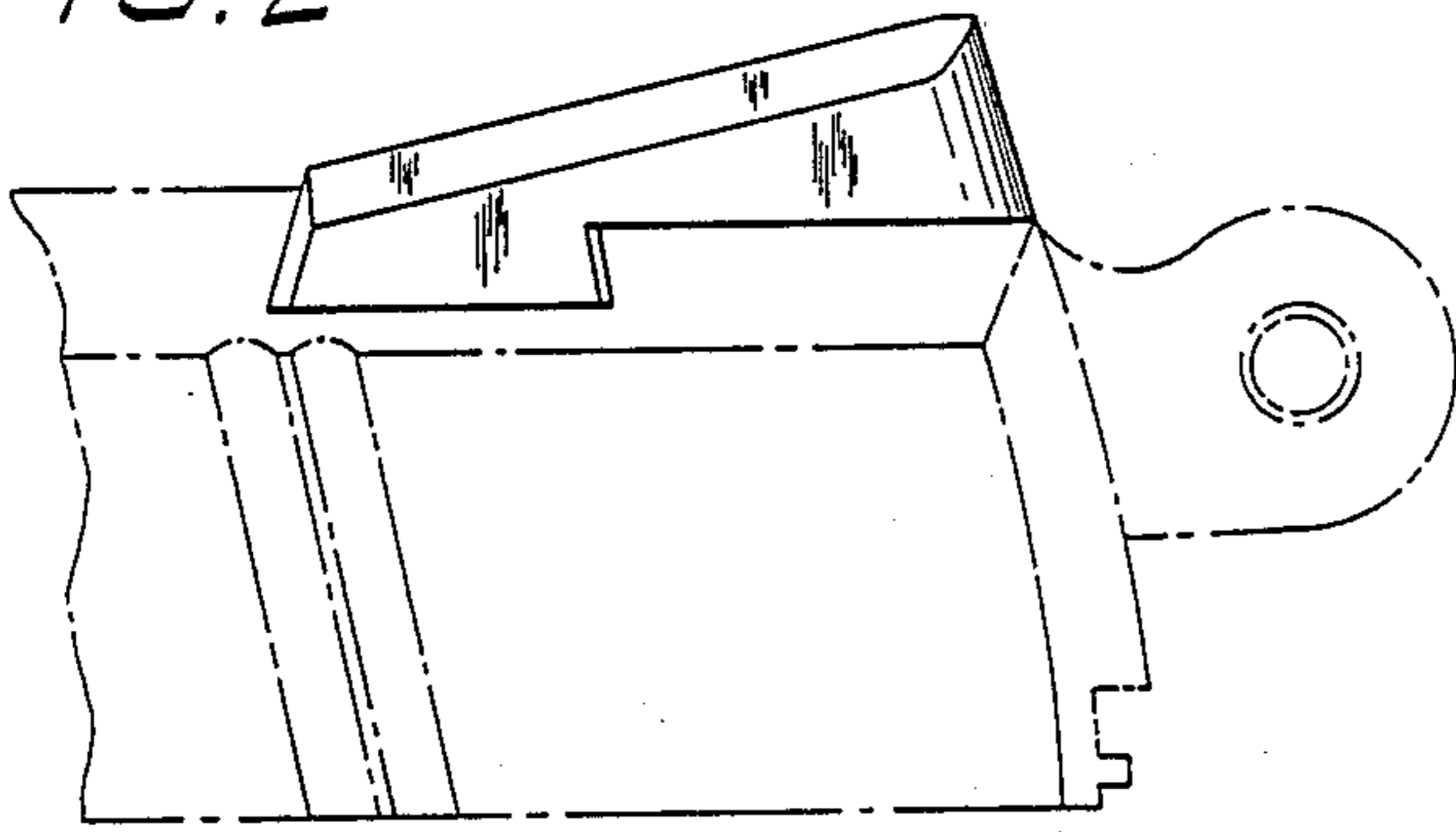


FIG. 4

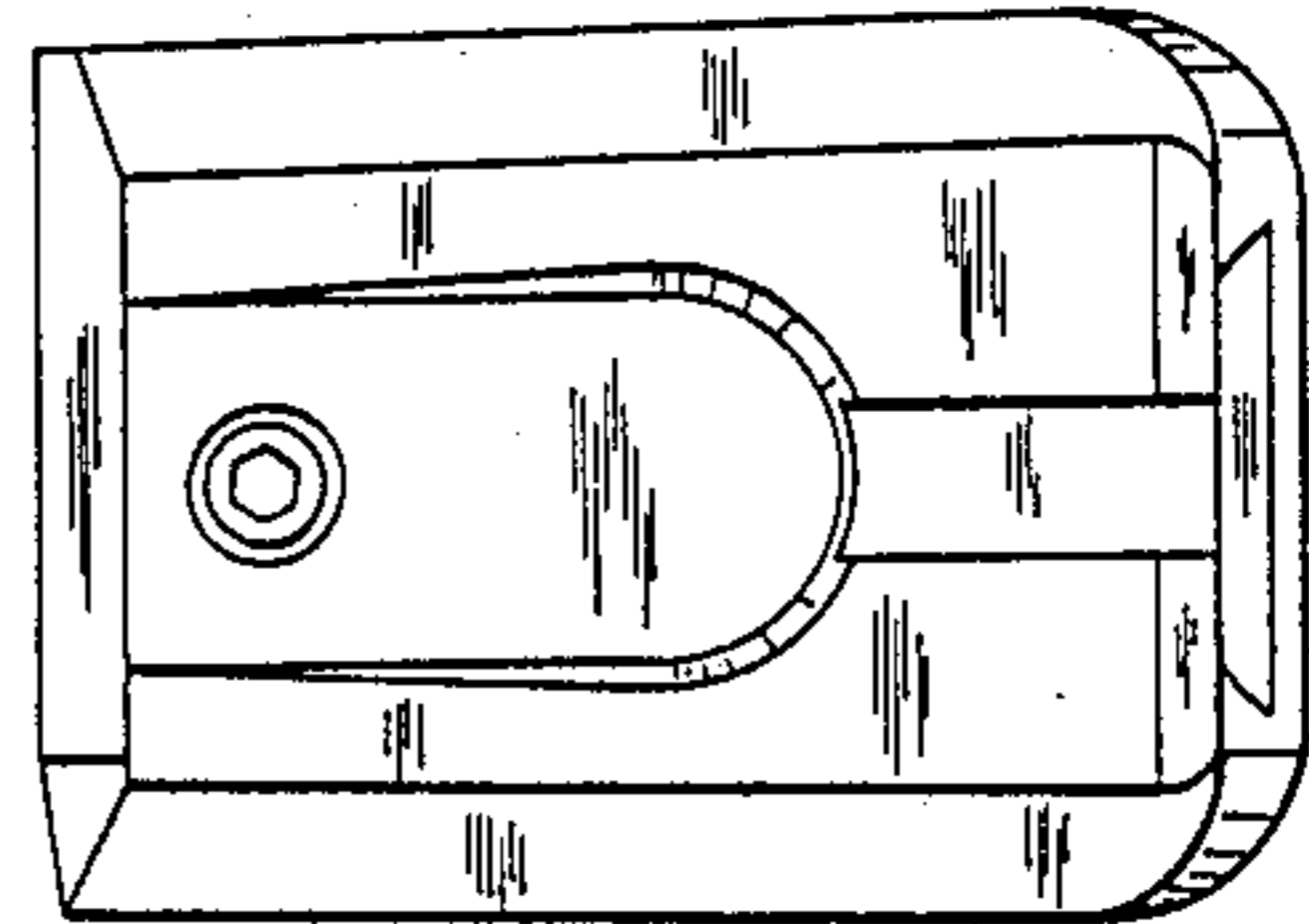


FIG. 3

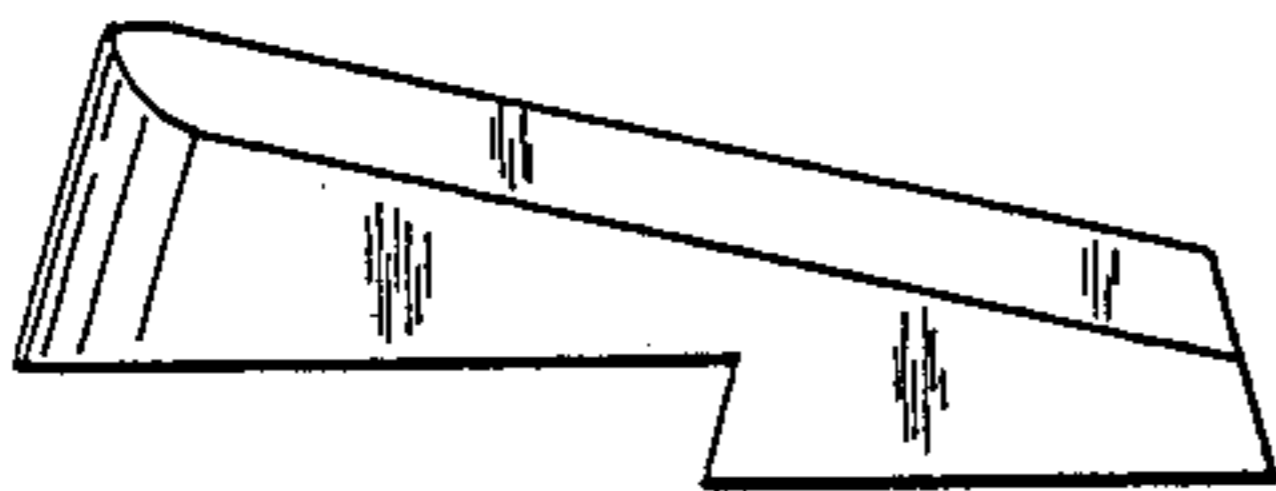


FIG. 6

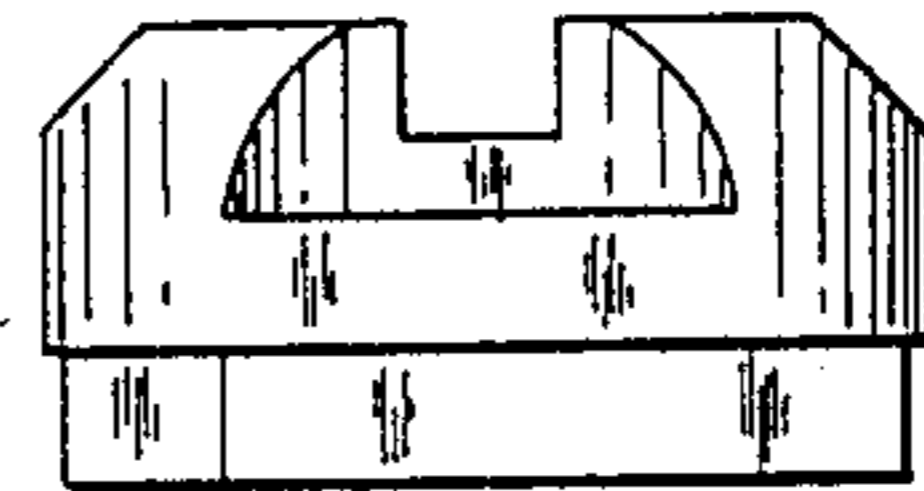


FIG. 5

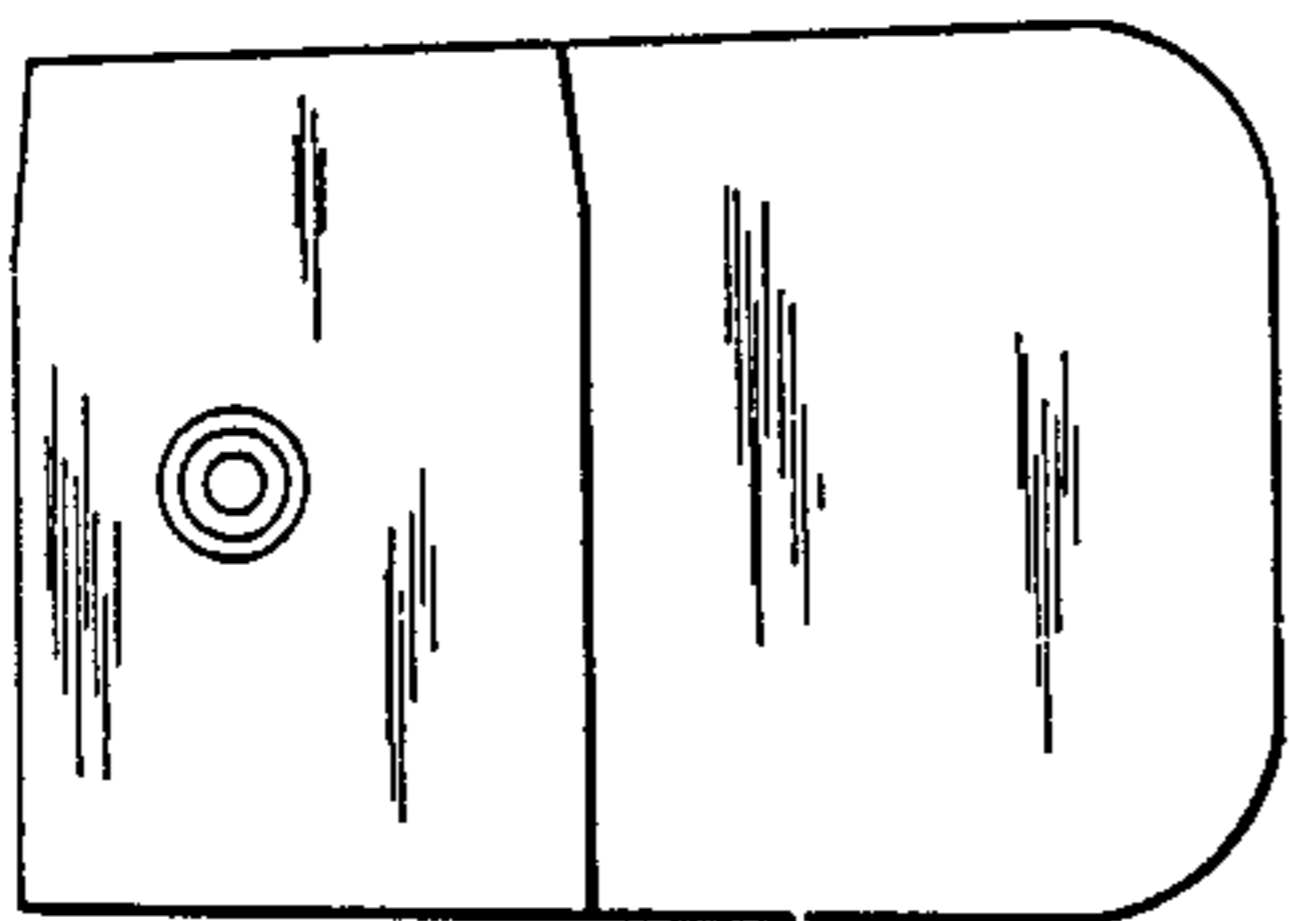


FIG. 7

