

# United States Patent [19]

Bateman et al.

[11] Patent Number: **Des. 305,142**

[45] Date of Patent: **\*\* Dec. 19, 1989**

[54] TOY GIRAFFE OR THE LIKE

[75] Inventors: **Robert F. Bateman, Greenville; Brian L. Newton, Woonsocket; Martin J. Wolff, North Providence, all of R.I.; John R. Nottingham; John W. Spirk, both of Moreland Hills, Ohio**

[73] Assignee: **Dart Industries Inc., Deerfield, Ill.**

[\*\*] Term: **14 Years**

[21] Appl. No.: **886,715**

[22] Filed: **Jul. 16, 1986**

[52] U.S. Cl. .... **D21/164**

[58] Field of Search ..... **D21/164, 154, 148, 149; 446/71-75, 97, 101, 268, 385**

[56] **References Cited**

**U.S. PATENT DOCUMENTS**

D. 216,812 3/1970 Hill et al. .... D21/164  
1,026,861 5/1912 Haskell ..... 446/388

**FOREIGN PATENT DOCUMENTS**

543223 9/1959 Belgium ..... 446/385

451100	9/1927	Fed. Rep. of Germany	.....	446/73
963263	7/1950	France	.....	446/268
1002115	3/1952	France	.....	446/99
564361	7/1975	Switzerland	.....	446/73
599468	9/1946	United Kingdom	.....	446/99

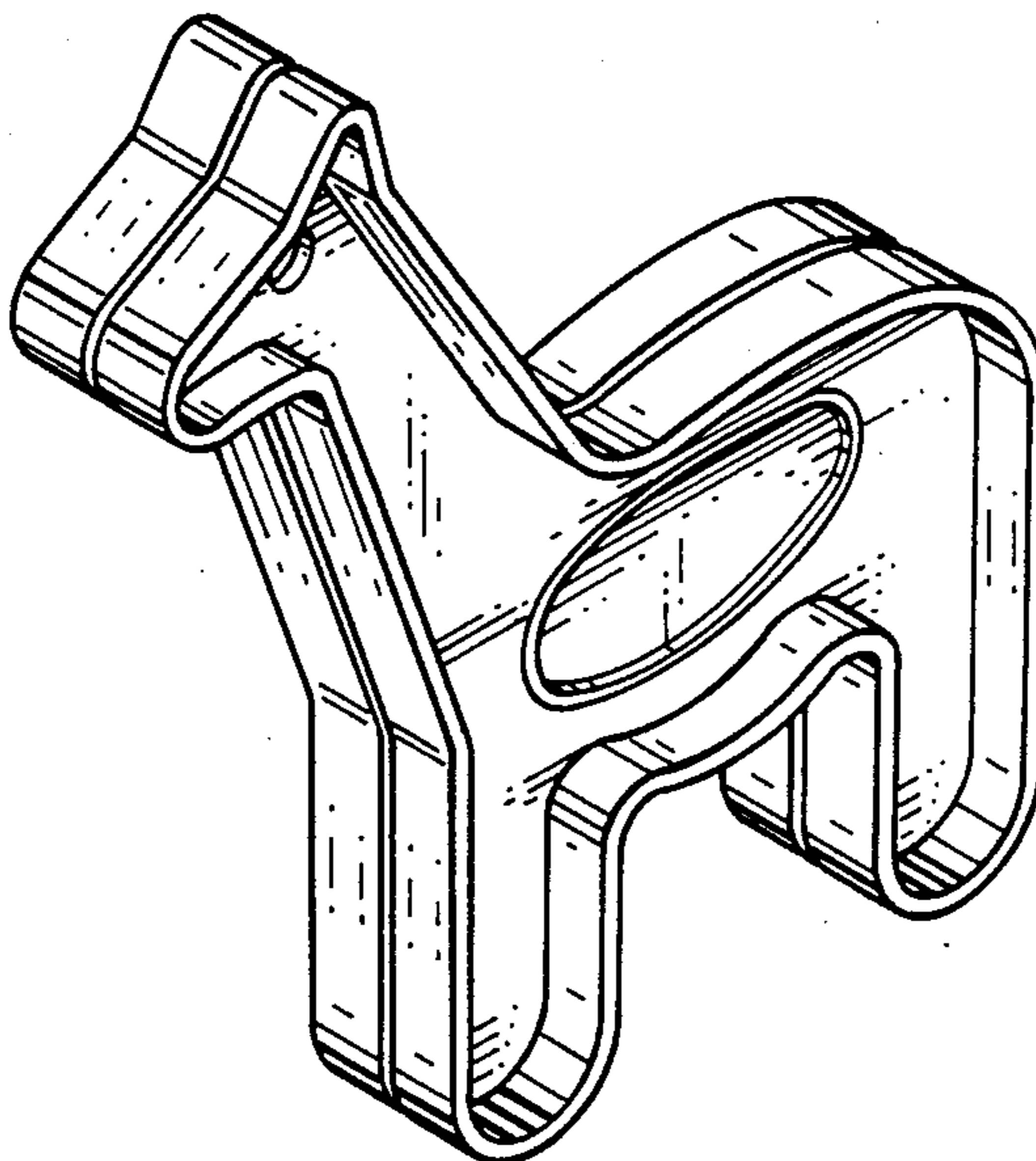
*Primary Examiner*—Melvin B. Feifer  
*Attorney, Agent, or Firm*—John A. Doninger

[57] **CLAIM**

The ornamental design for a toy giraffe or the like, as shown.

**DESCRIPTION**

FIG. 1 is a top perspective view of the toy giraffe or the like showing our new design;  
FIG. 2 is a top plan view thereof;  
FIG. 3 is a side elevational view of the near side of FIG. 1;  
FIG. 4 is a side elevational view of the far side of FIG. 1;  
FIG. 5 is a head end elevational view thereof;  
FIG. 6 is a rear end elevational view thereof;  
FIG. 7 is a bottom plan view thereof;  
FIG. 8 is an exploded perspective view of FIG. 1.



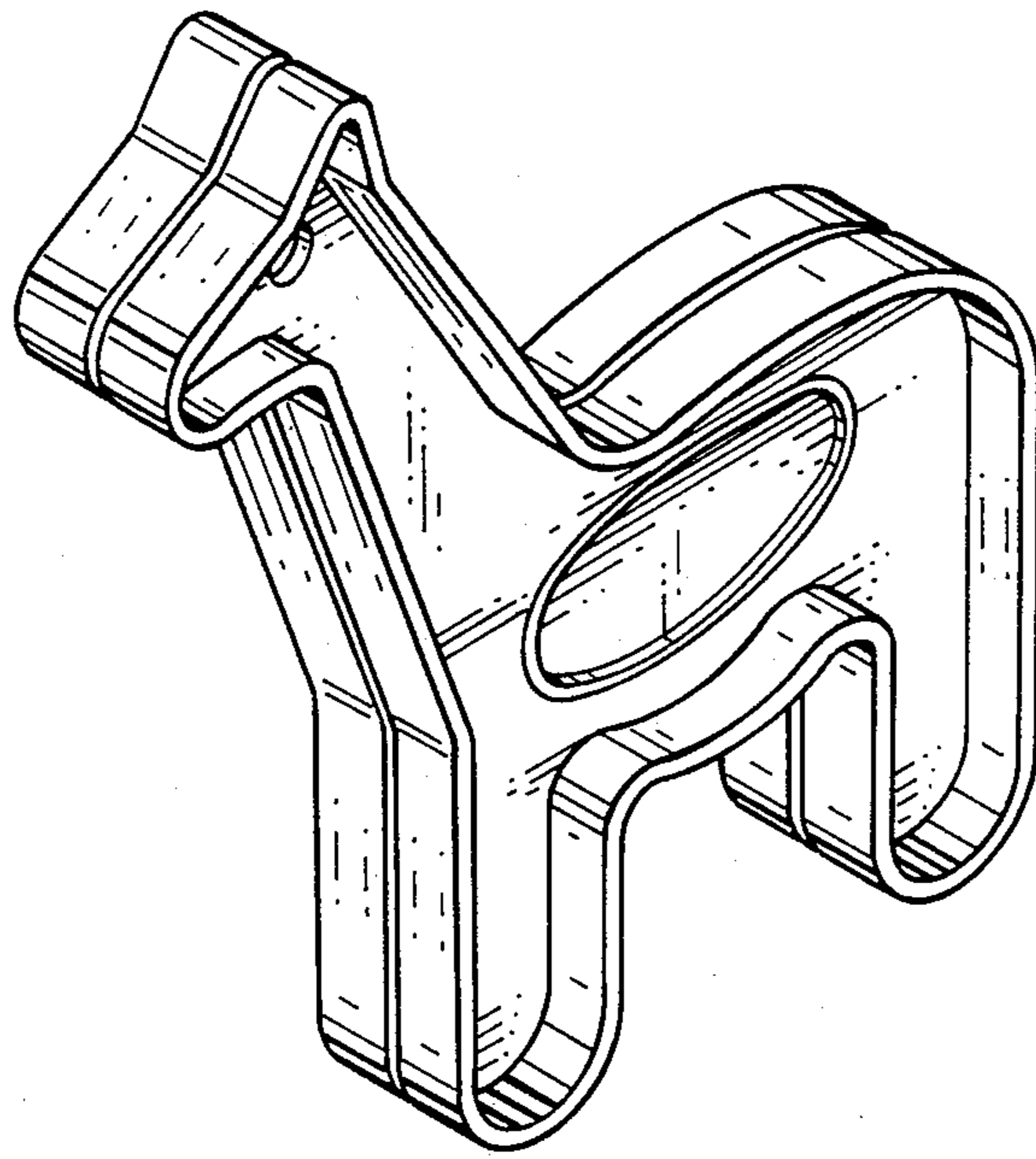


FIG. 1

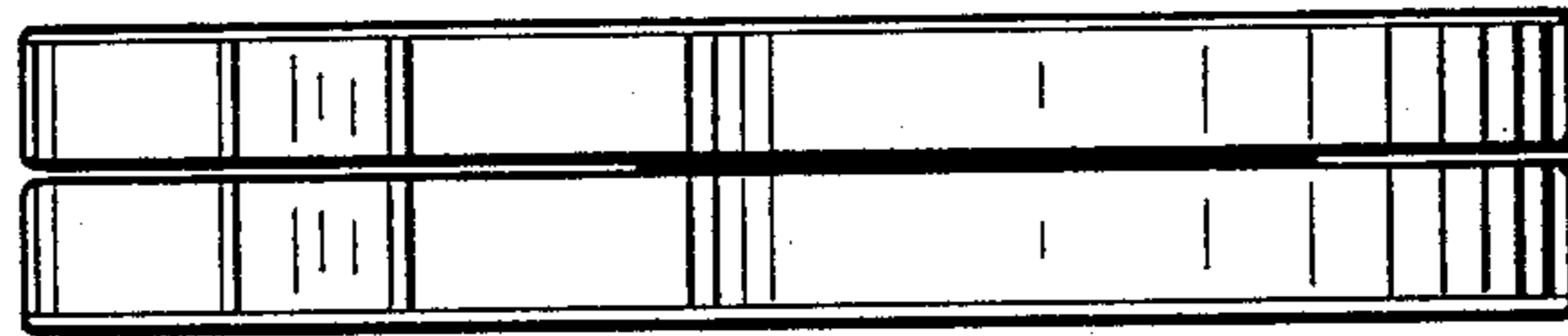


FIG. 2

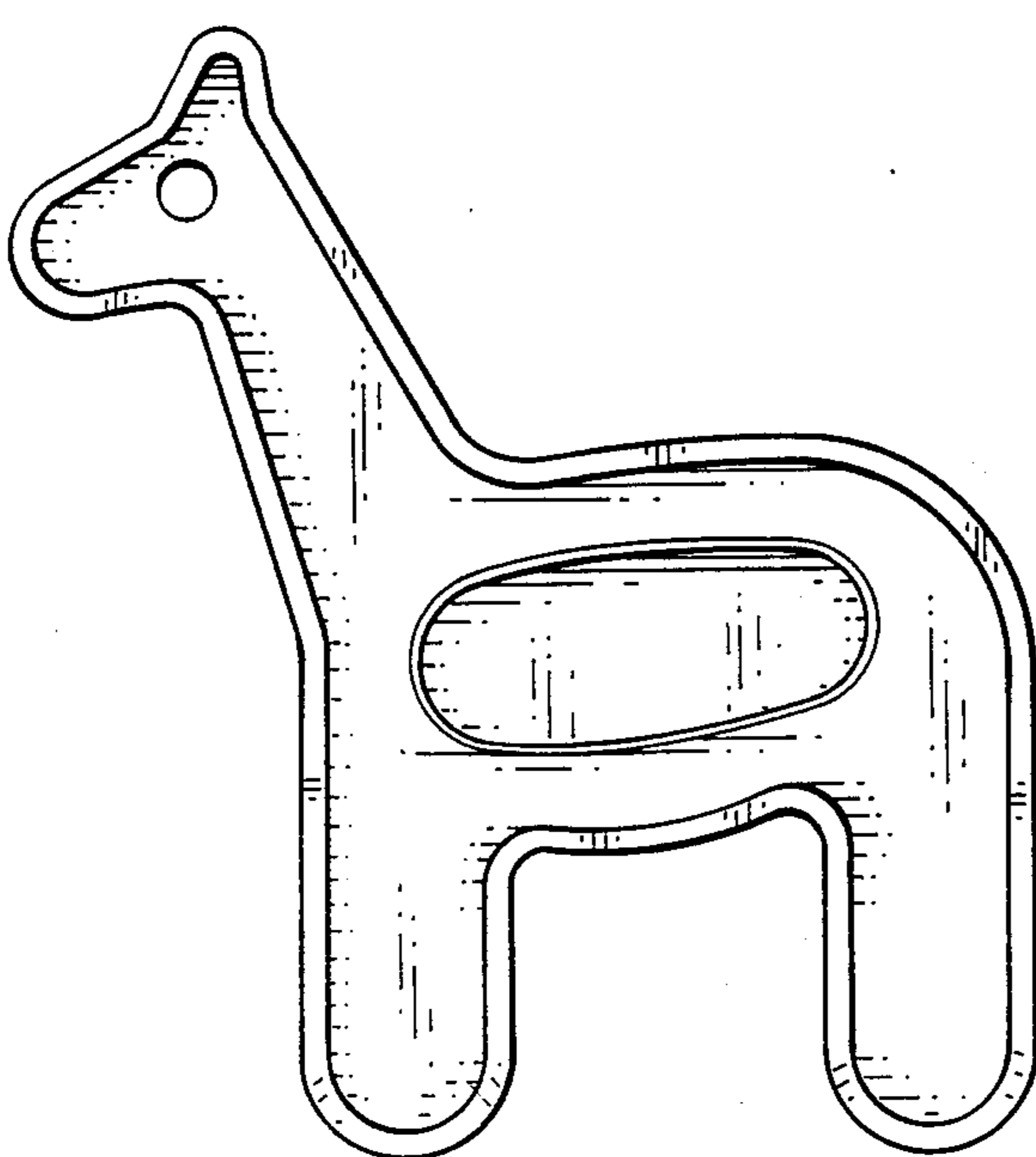


FIG. 3

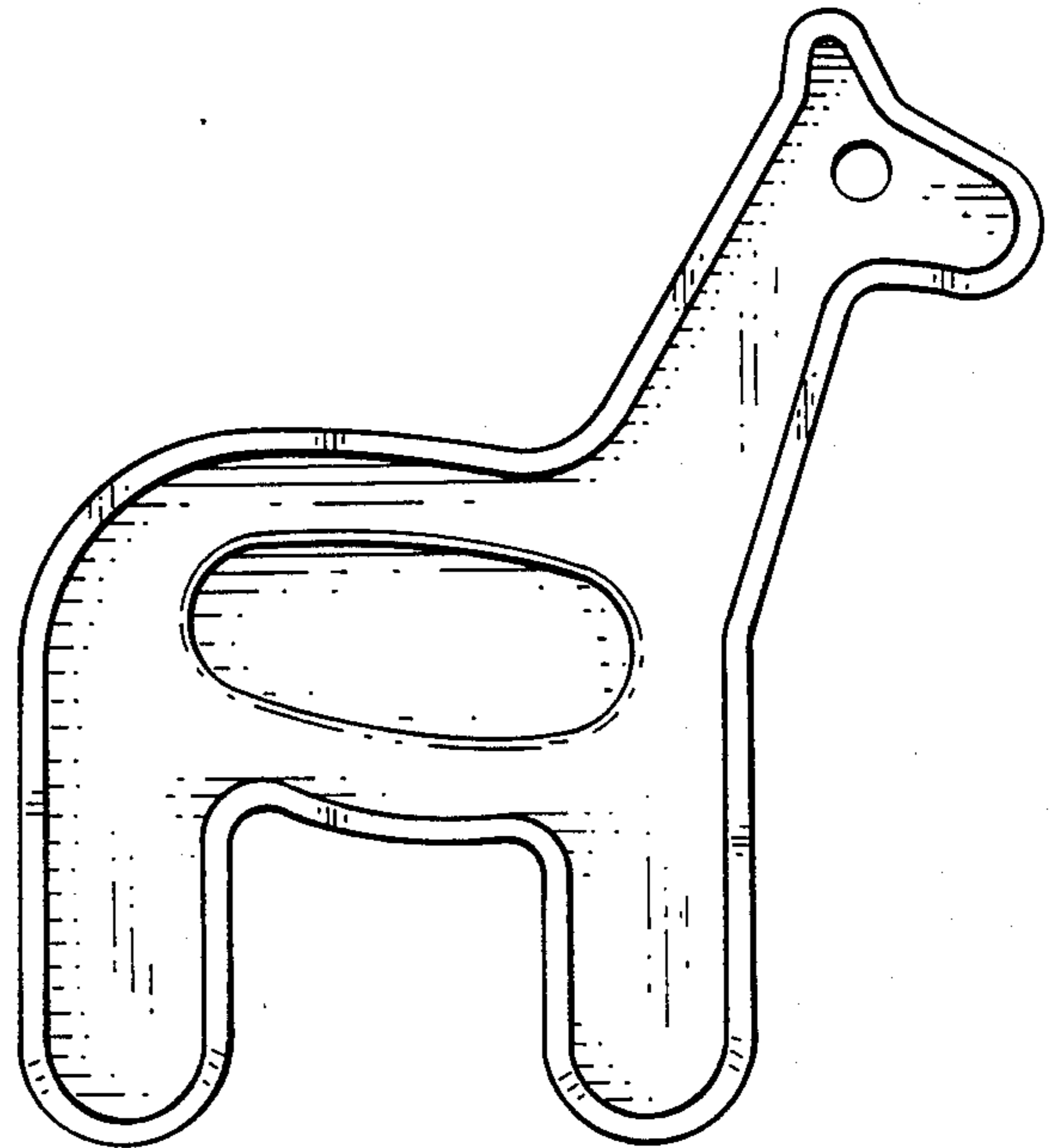


FIG. 4

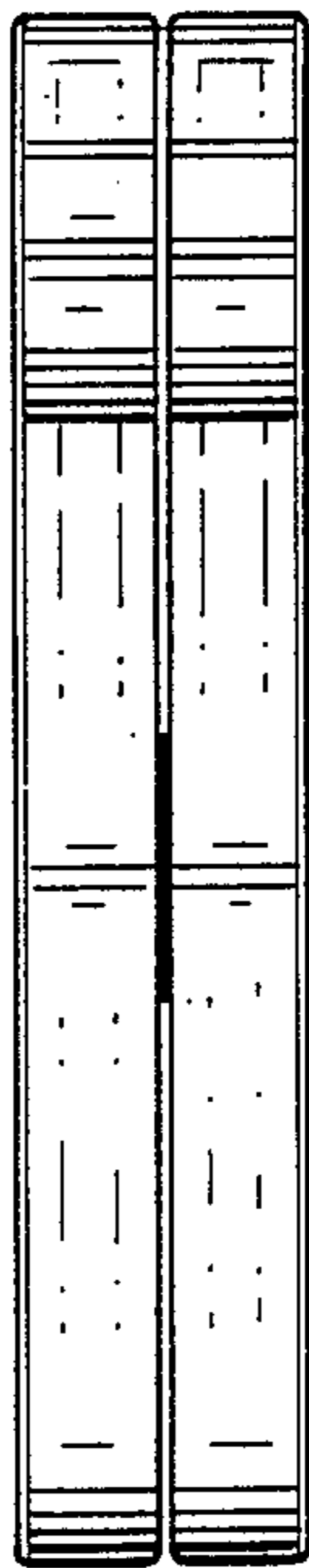


FIG. 5

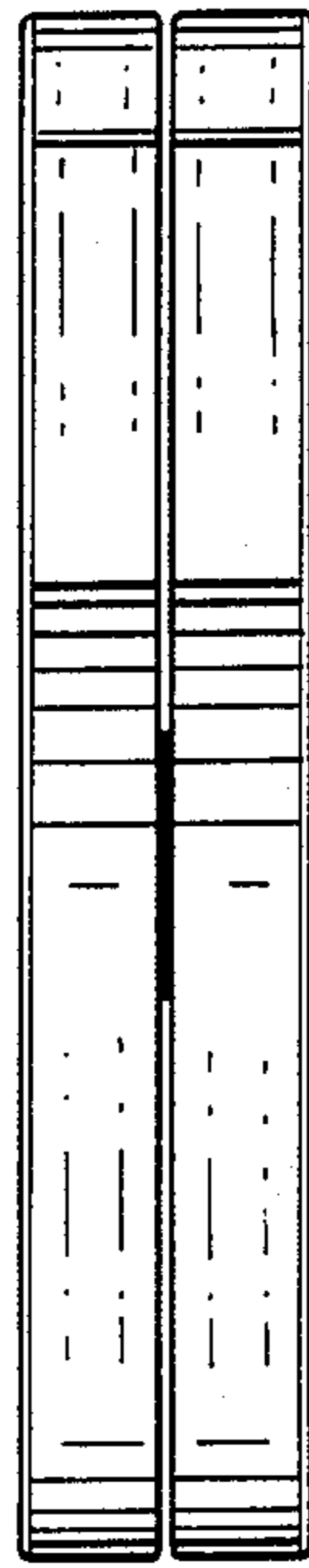


FIG. 6

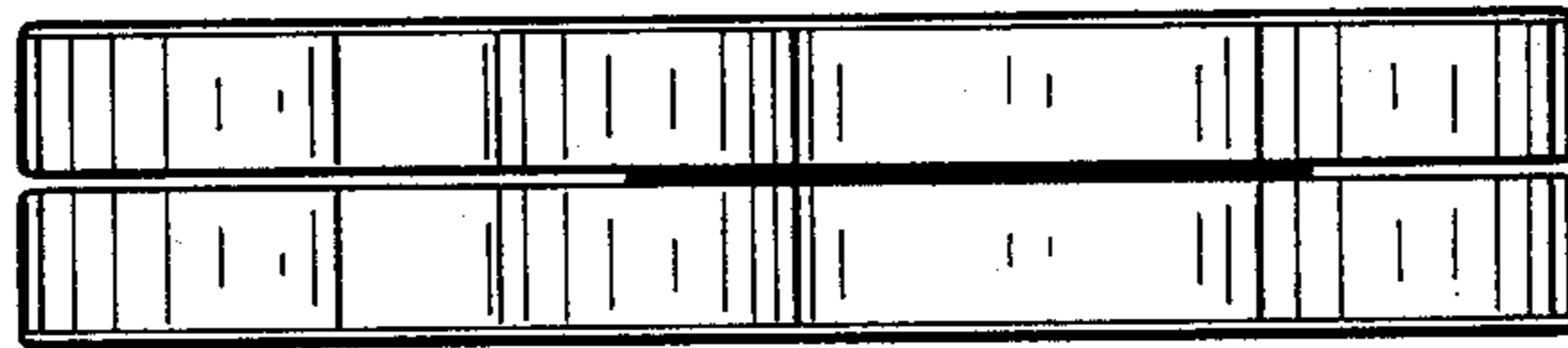


FIG. 7

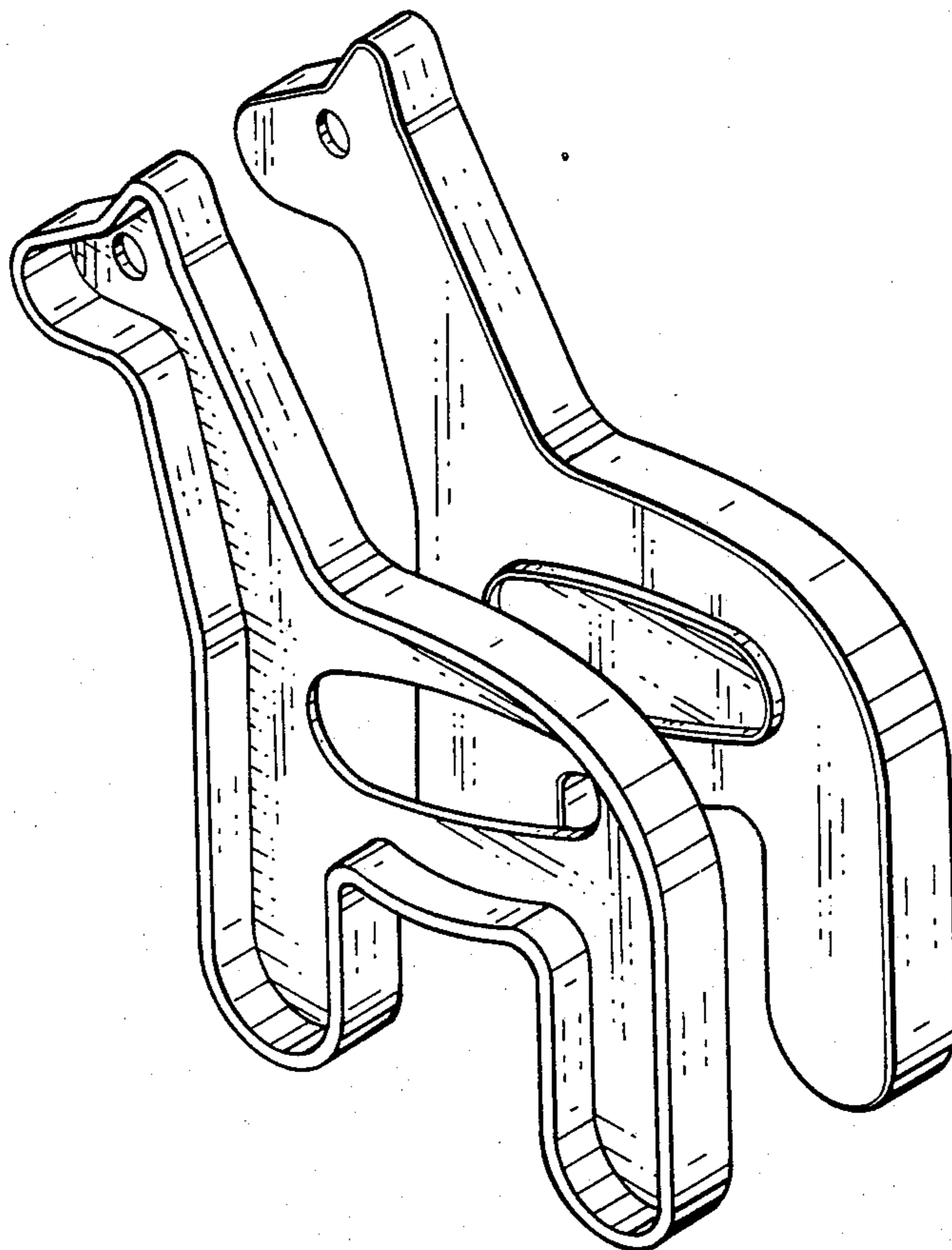


FIG. 8