

[54] **TOY LION OR THE LIKE**

[75] **Inventors: Robert F. Bateman, Greenville; Brian L. Newton, Woonsocket; Martin J. Wolff, North Providence, all of R.I.; John R. Nottingham; John W. Spirk, both of Moreland Hills, Ohio**

[73] **Assignee: Dart Industries Inc., Deerfield, Ill.**

[**] **Term: 14 Years**

[21] **Appl. No.: 886,714**

[22] **Filed: Jul. 16, 1986**

[52] **U.S. Cl. D21/163**

[58] **Field of Search D21/163, 154, 148, 149; 446/71-75, 97, 101, 268, 385**

[56] **References Cited**

U.S. PATENT DOCUMENTS

1,026,861 5/1912 Haskell 446/388

FOREIGN PATENT DOCUMENTS

543223 9/1959 Belgium 446/385

451100 9/1927 Fed. Rep. of Germany 446/73

963263 7/1950 France 446/268

1002115	3/1952	France	446/99
564361	7/1975	Switzerland	446/73
599468	9/1946	United Kingdom	446/99

OTHER PUBLICATIONS

Discovery Toys cat., Fall/Winter, 1984, p. 7, upper right, Lion Figure.

Primary Examiner—Melvin B. Feifer
Attorney, Agent, or Firm—John A. Doninger

[57] **CLAIM**

The ornamental design for a toy lion or the like, as shown.

DESCRIPTION

FIG. 1 is a top perspective view of the toy lion or the like showing our new design;

FIG. 2 is a top plan view thereof;

FIG. 3 is a side elevational view of the near side of FIG. 1;

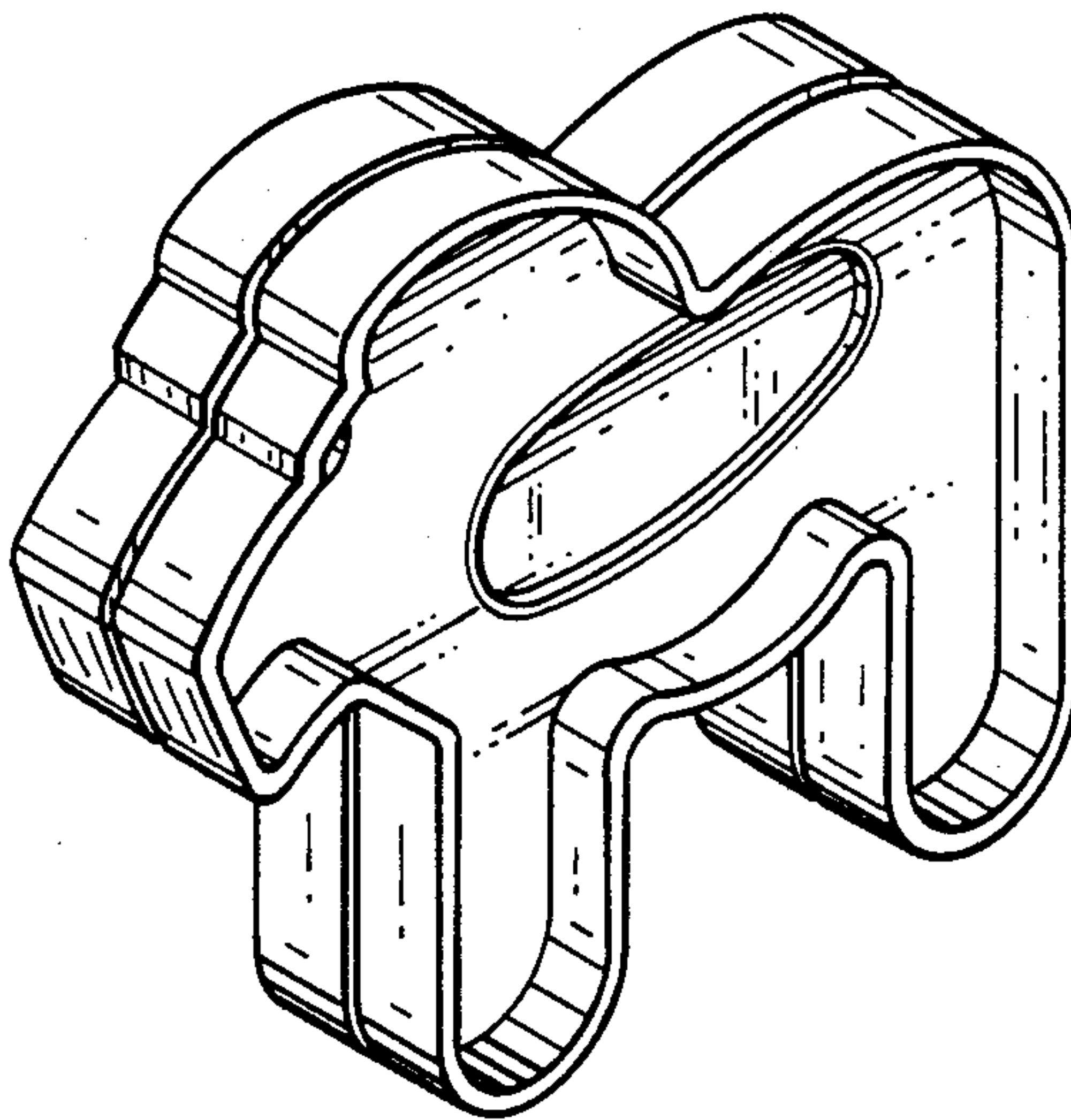
FIG. 4 is a side elevational view of the far side of FIG. 1;

FIG. 5 is a head end elevational view thereof;

FIG. 6 is a rear end elevational view thereof;

FIG. 7 is a bottom plan view thereof;

FIG. 8 is an exploded perspective view of FIG. 1.



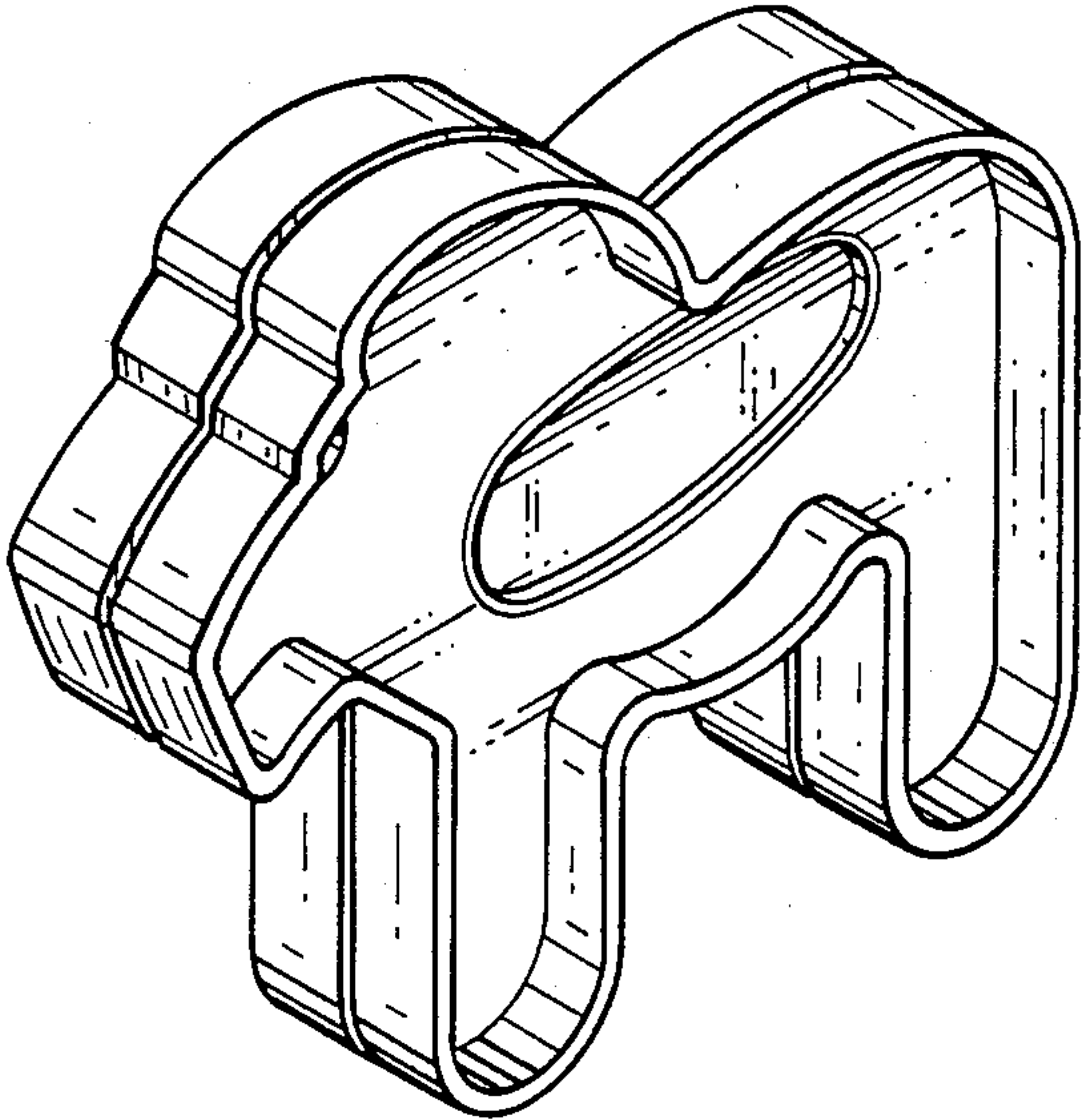


FIG. 1



FIG. 2

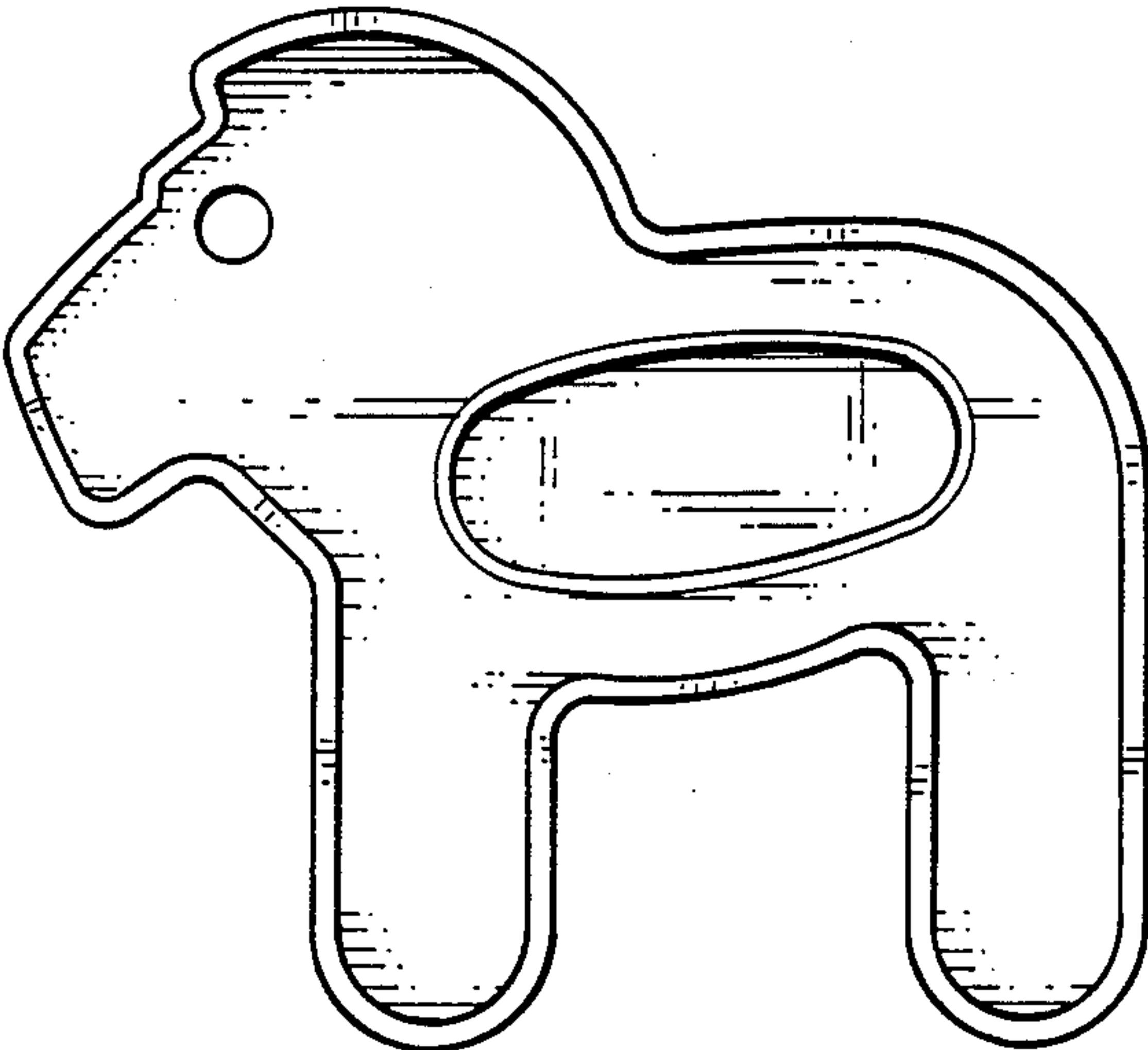


FIG. 3

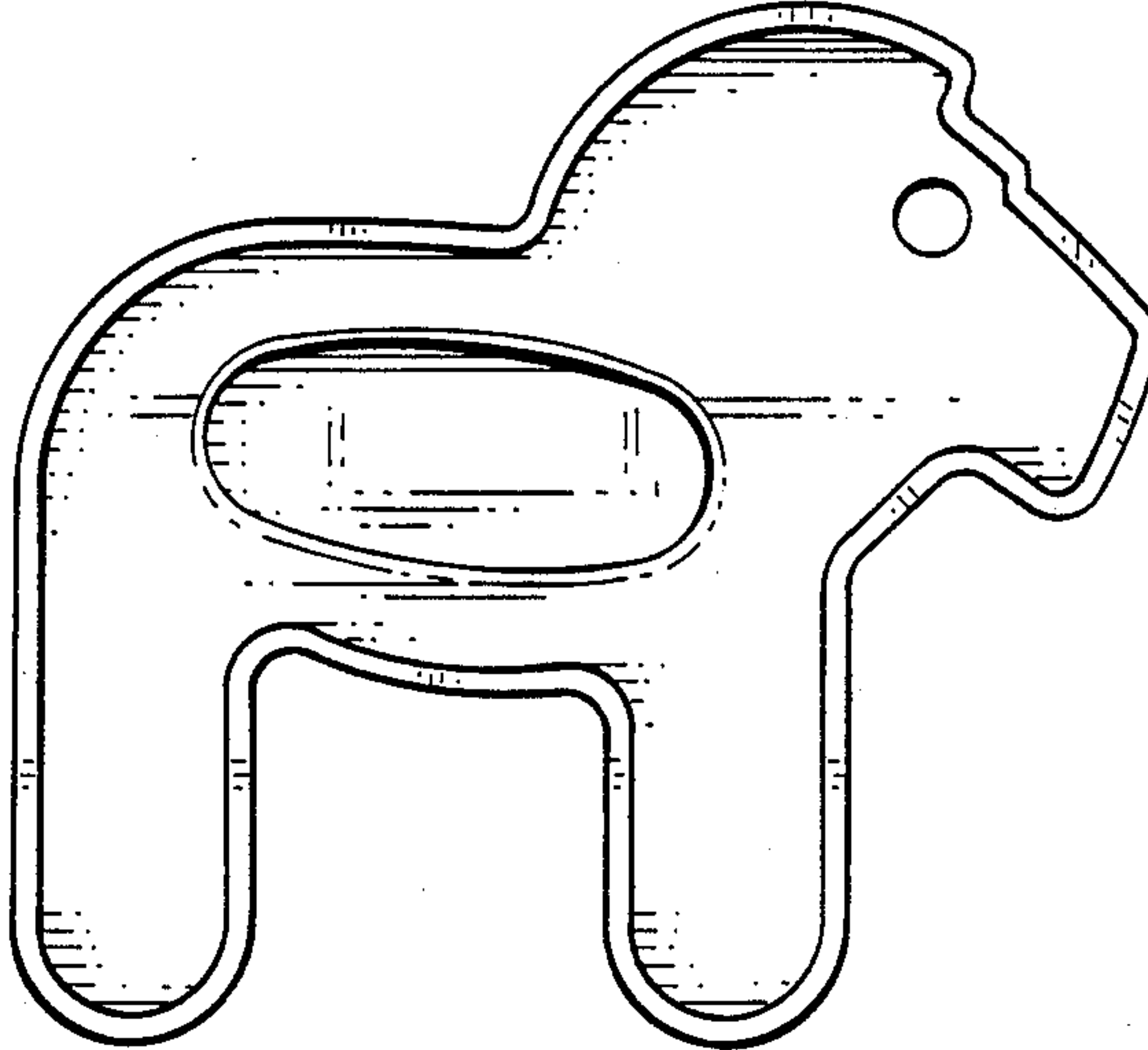


FIG. 4

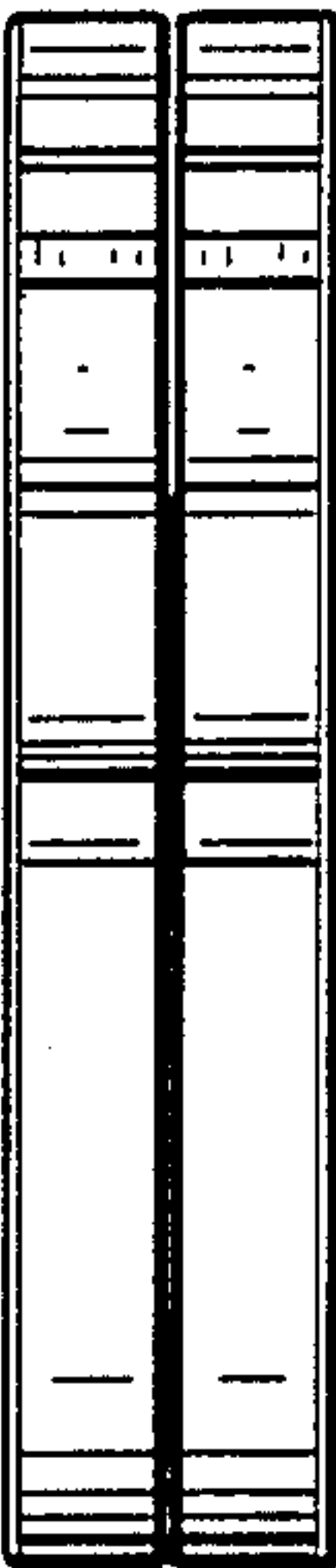


FIG. 5

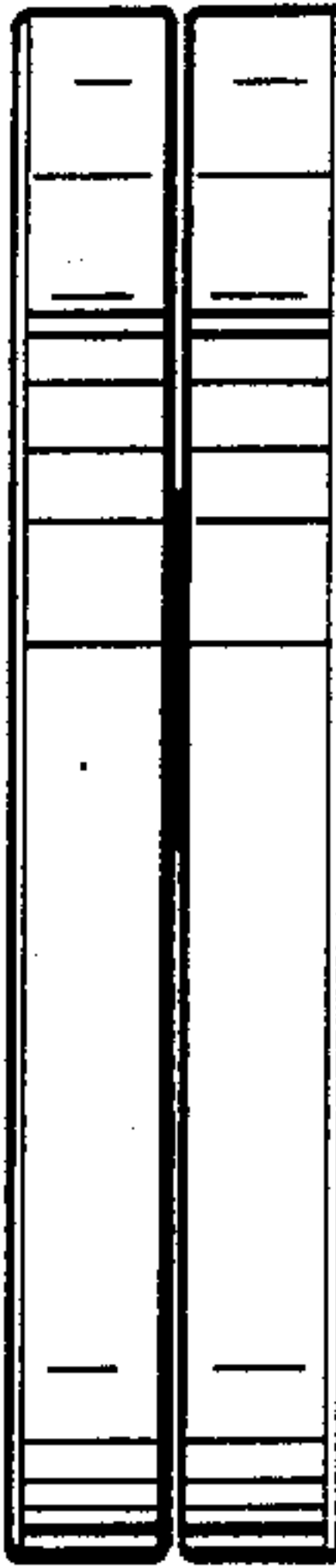


FIG. 6



FIG. 7

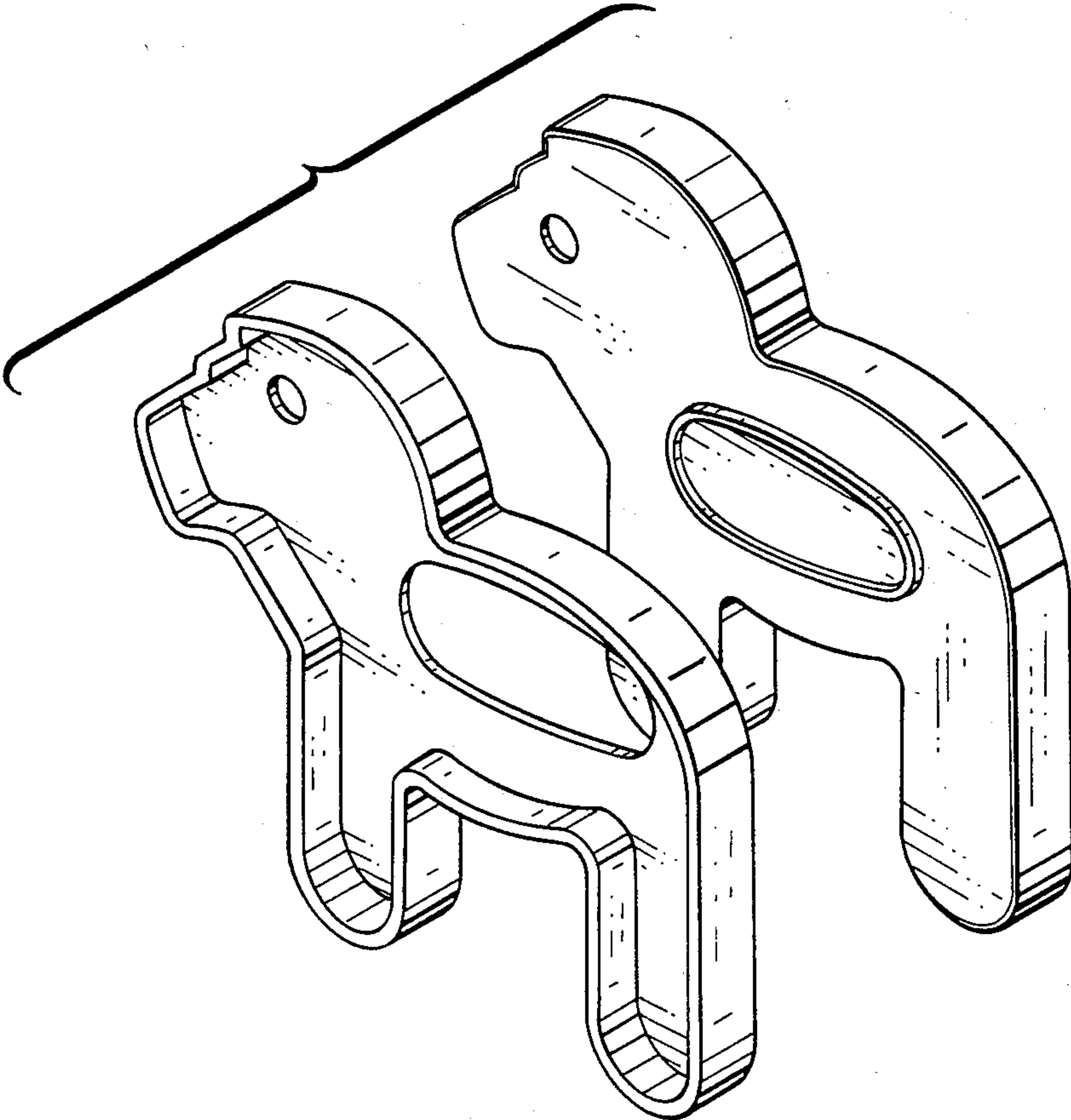


FIG. 8