

United States Patent [19]

Bateman et al.

[11] Patent Number: **Des. 305,140**

[45] Date of Patent: **** Dec. 19, 1989**

[54] TOY POLAR BEAR OR THE LIKE

[75] Inventors: **Robert F. Bateman**, Greenville; **Brian L. Newton**, Woonsocket; **Martin J. Wolff**, North Providence, all of R.I.; **John R. Nottingham**; **John W. Spirk**, both of Moreland Hills, Ohio

[73] Assignee: **Dart Industries Inc.**, Deerfield, Ill.

[**] Term: **14 Years**

[21] Appl. No.: **886,717**

[22] Filed: **Jul. 16, 1986**

[52] U.S. Cl. **D21/159**

[58] Field of Search **D21/159, 154, 148, 149; 446/71-75, 97, 101, 268, 385**

[56] **References Cited**

U.S. PATENT DOCUMENTS

D. 61,629 10/1922 Myers D21/159
D. 169,420 4/1953 Campbell D21/159
1,026,861 5/1912 Haskell 446/388

FOREIGN PATENT DOCUMENTS

543223 9/1959 Belgium 446/385
451100 9/1927 Fed. Rep. of Germany 446/73
963263 7/1950 France 446/268
1002115 3/1952 France 446/99
564361 7/1975 Switzerland 446/73
599468 9/1946 United Kingdom 446/99

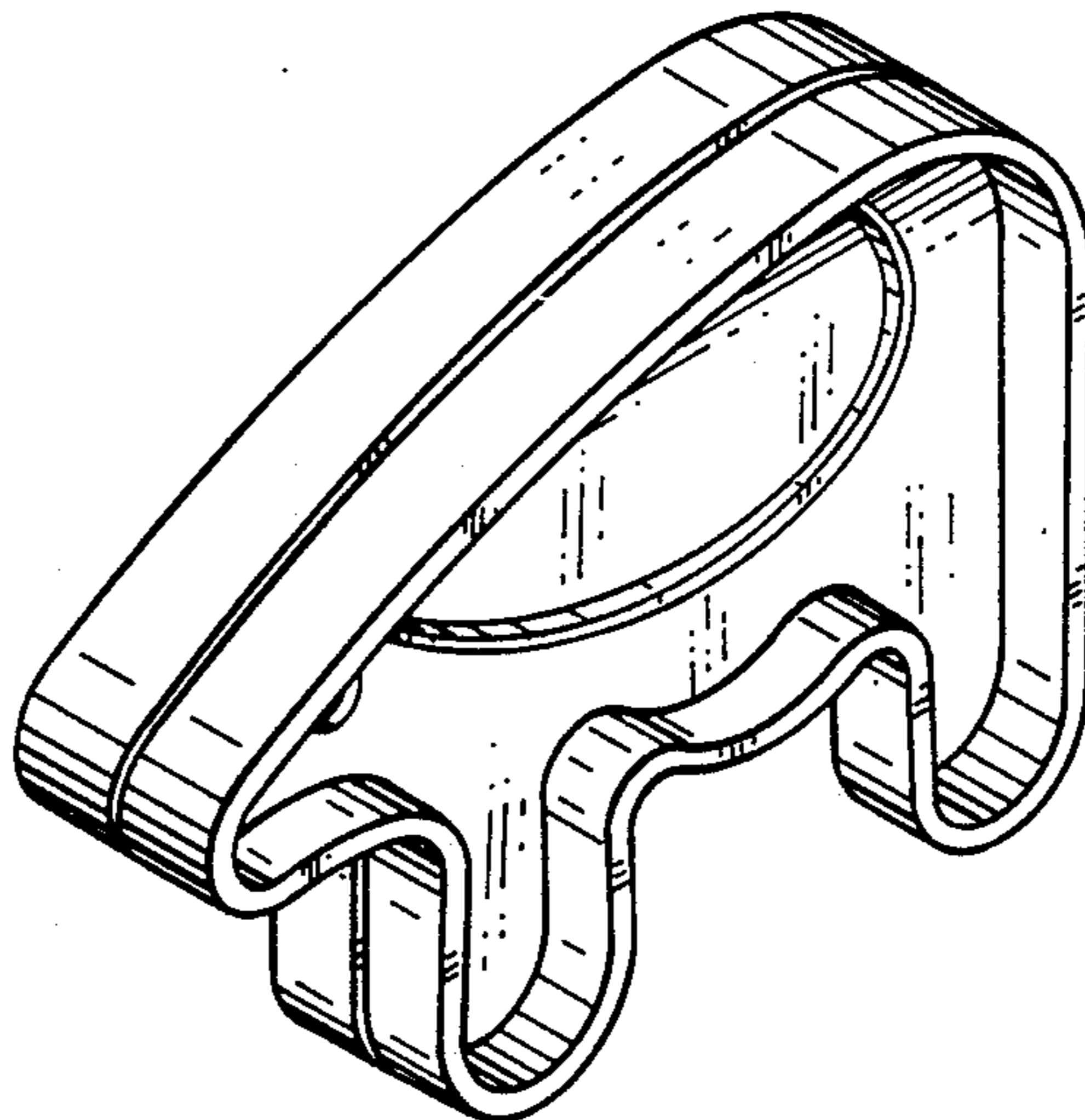
Primary Examiner—Melvin B. Feifer
Attorney, Agent, or Firm—John A. Doninger

[57] **CLAIM**

The ornamental design for a toy polar bear or the like, as shown.

DESCRIPTION

FIG. 1 is a top perspective view of the toy polar bear or the like showing our new design;
FIG. 2 is a top plan view thereof;
FIG. 3 is a side elevational view of the near side of FIG. 1;
FIG. 4 is a side elevational view of the far side of FIG. 1;
FIG. 5 is a head end elevational view thereof;
FIG. 6 is a rear end elevational view thereof;
FIG. 7 is a bottom plan view thereof;
FIG. 8 is an exploded perspective view of FIG. 1.



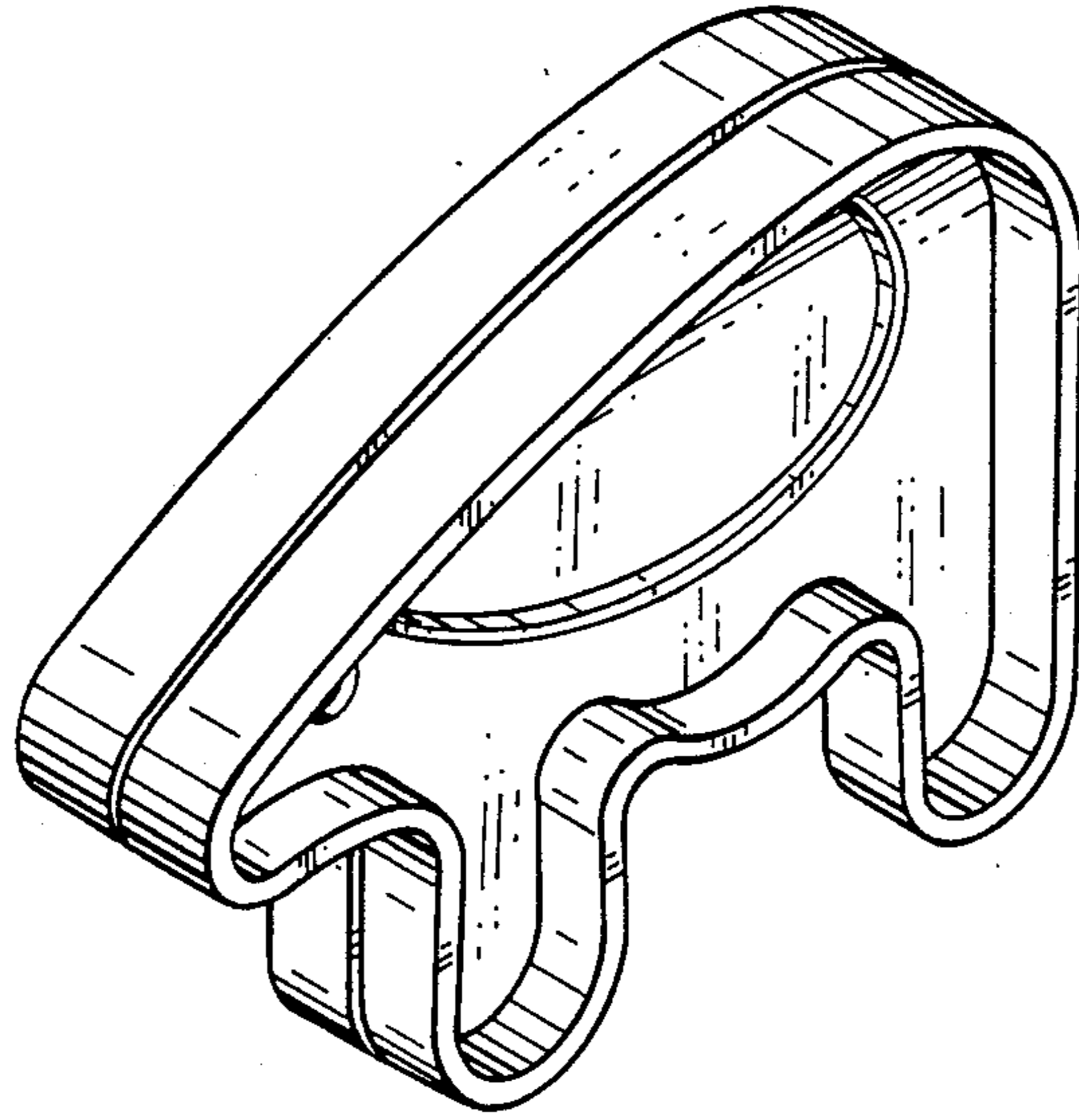


FIG. 1

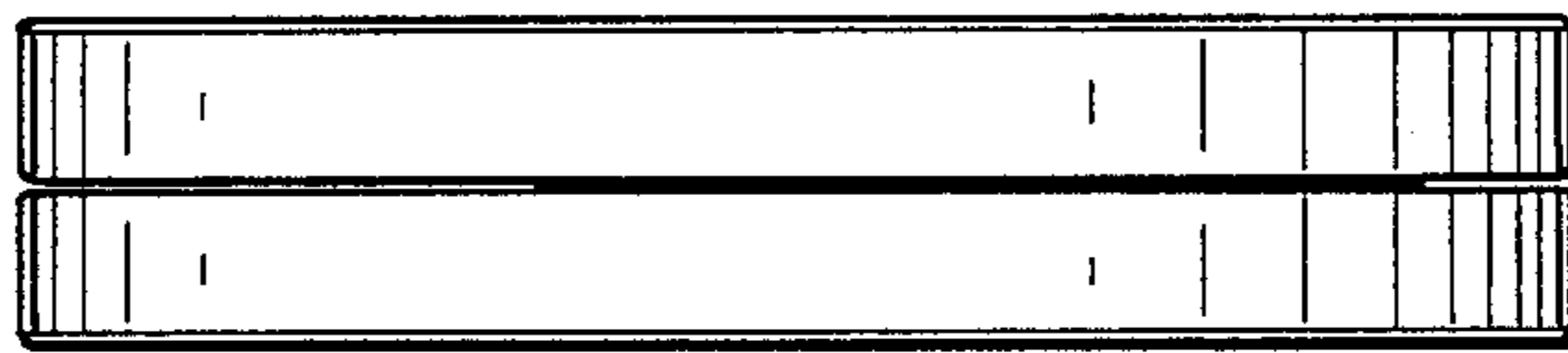


FIG. 2

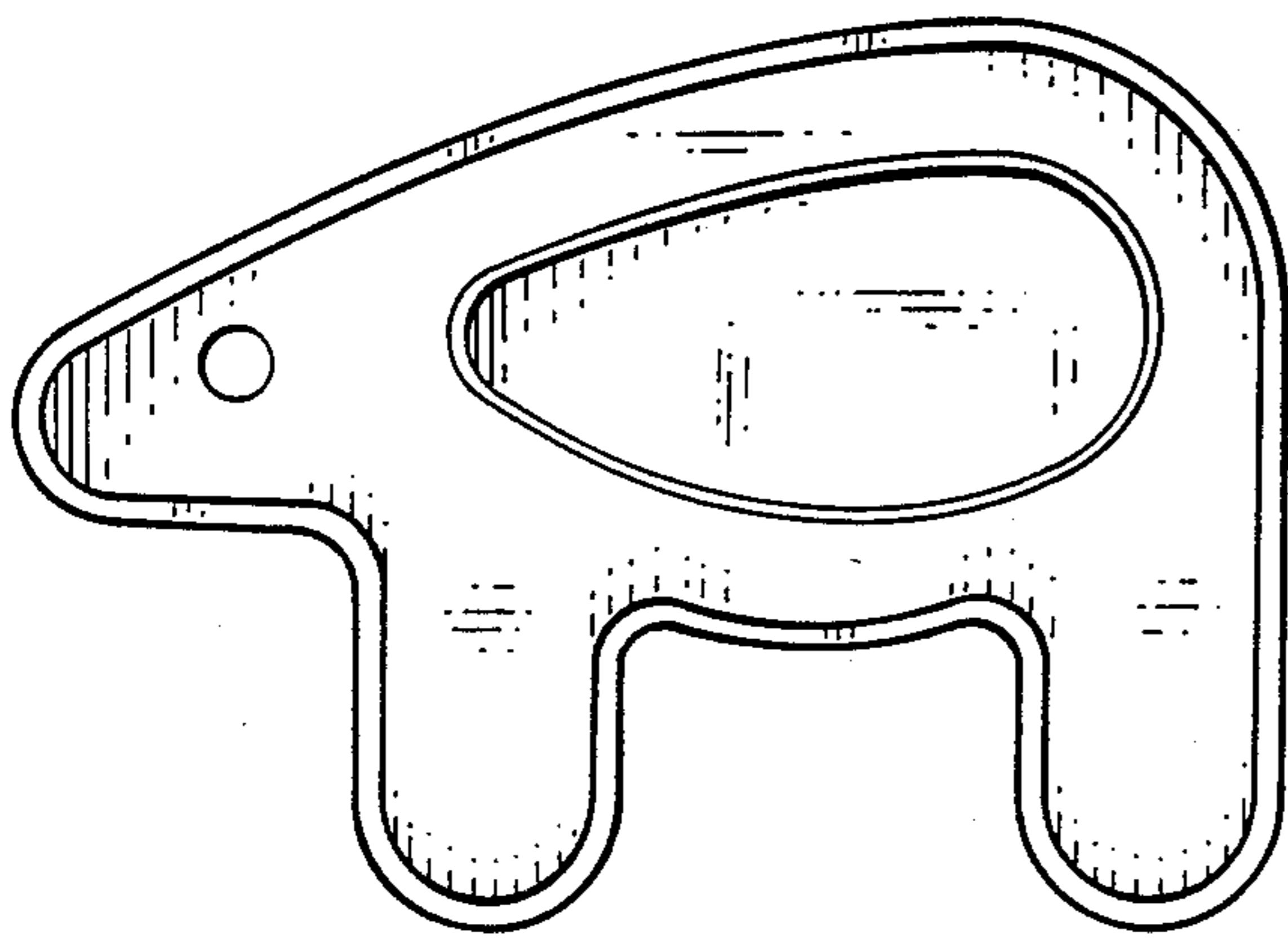


FIG. 3

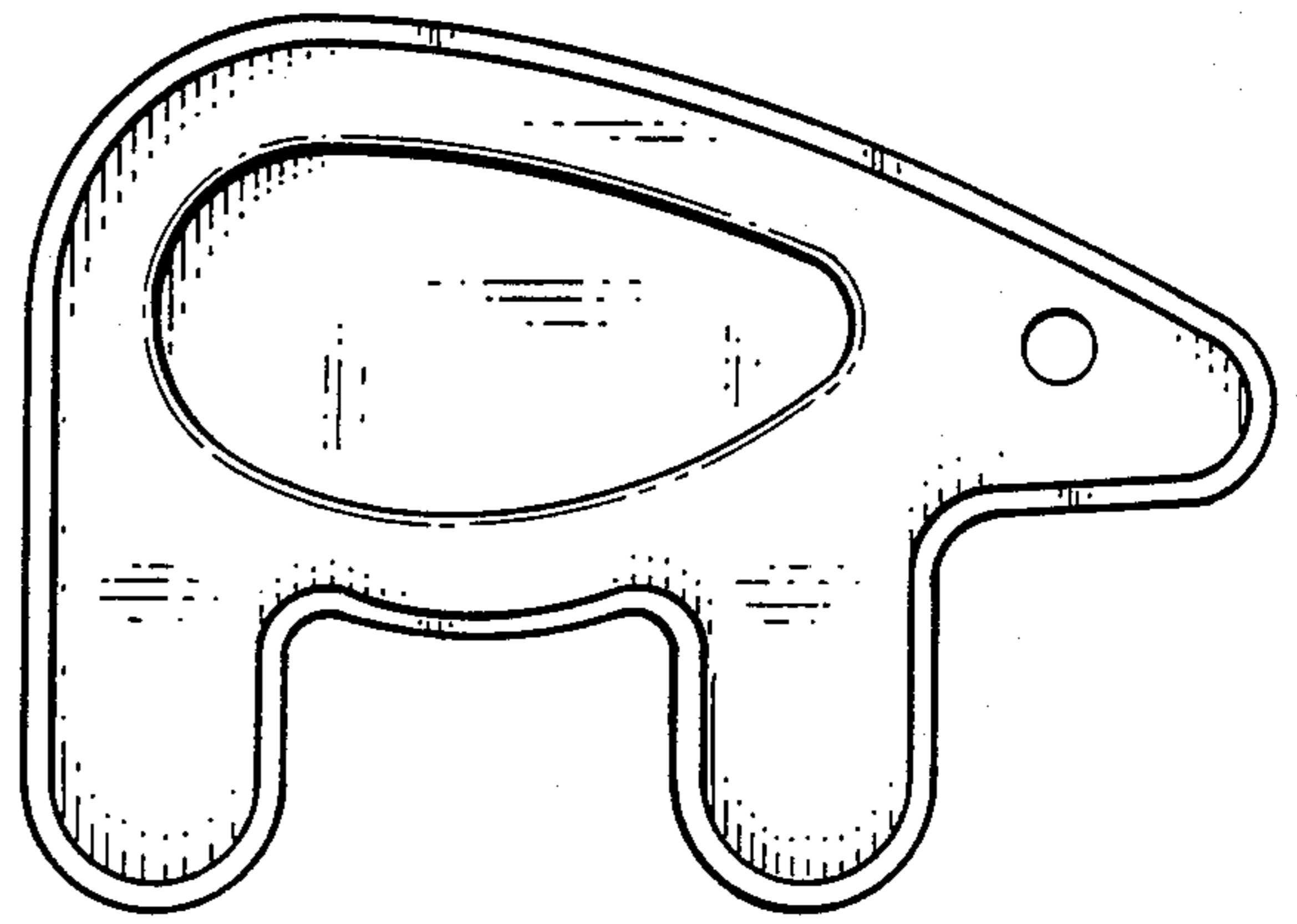


FIG. 4

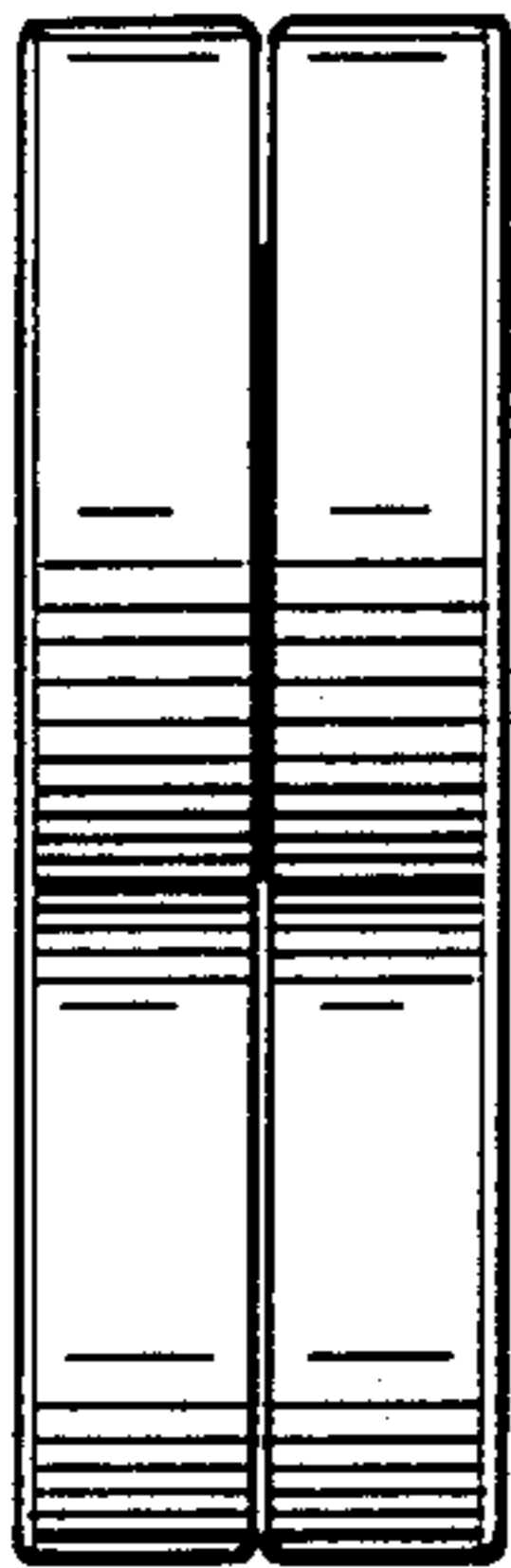


FIG. 5

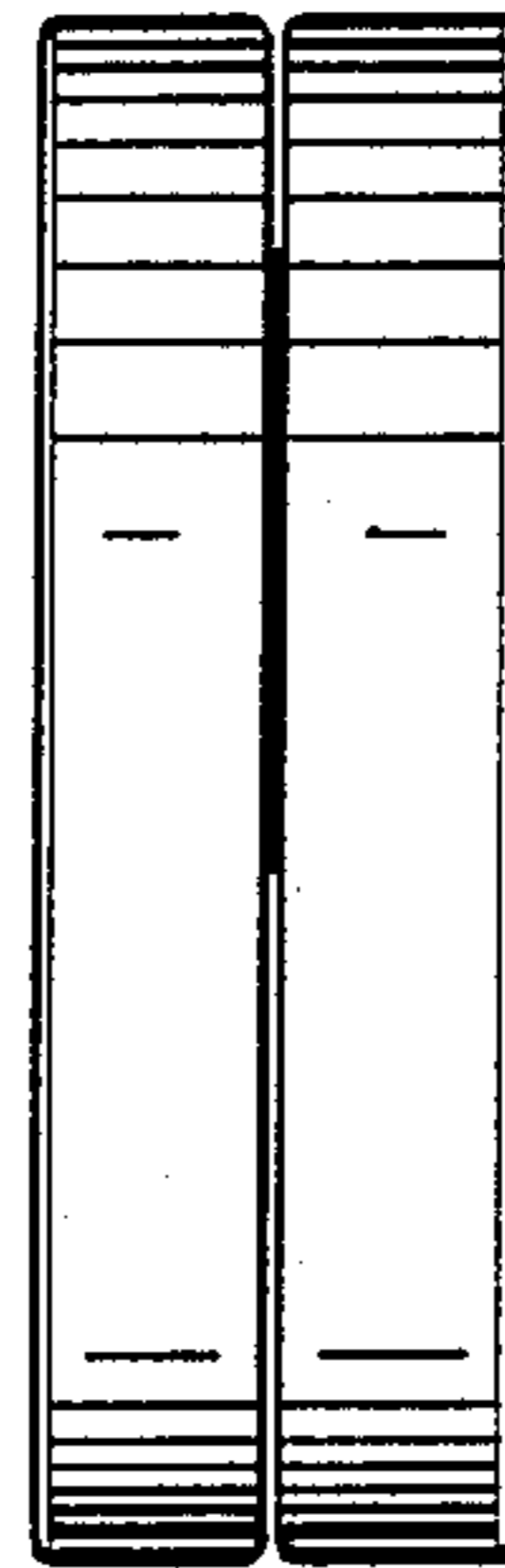


FIG. 6

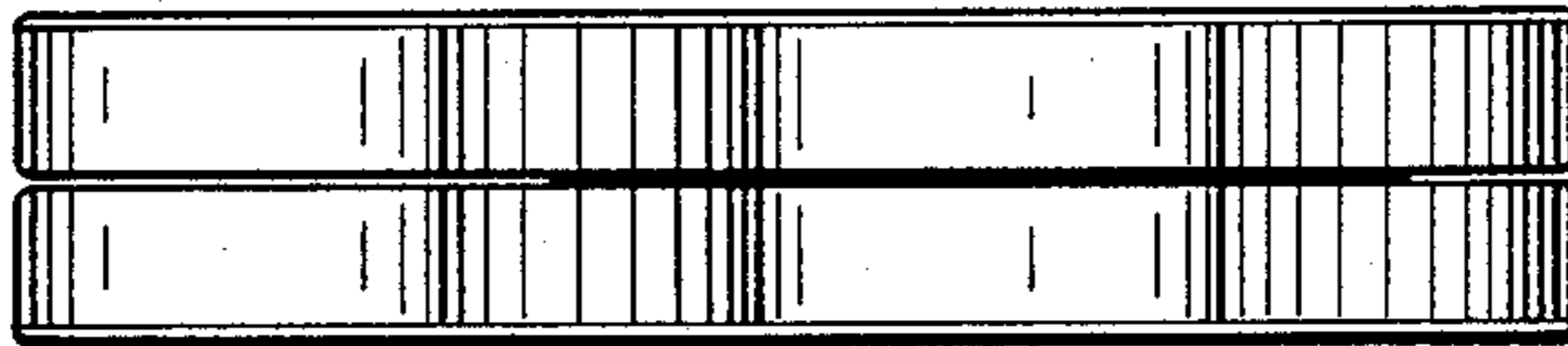


FIG. 7

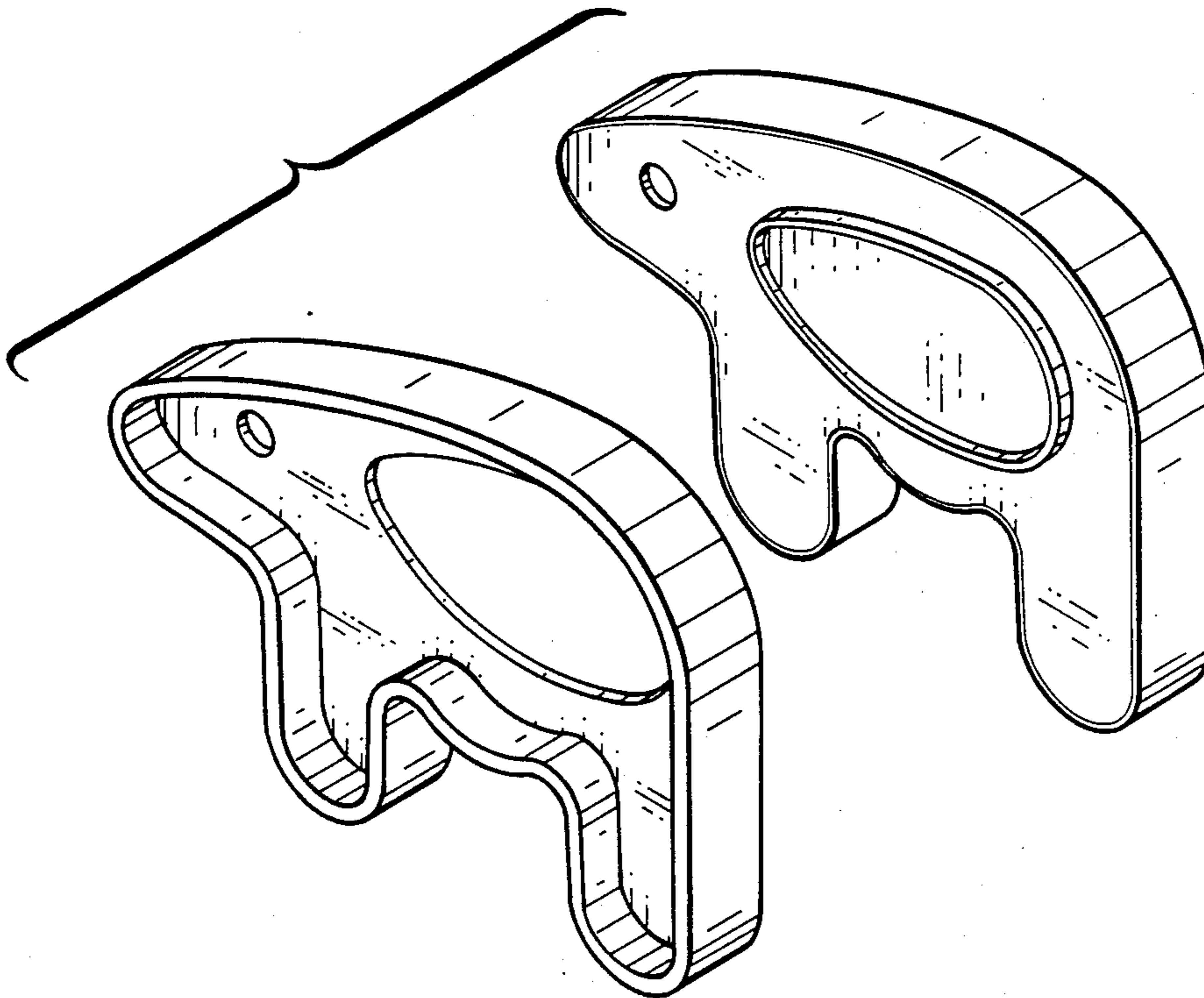


FIG. 8