

[54] **FOLDING TOY RACETRACK**

[75] **Inventor:** Tat K. Ng, Hong Kong, Hong Kong

[73] **Assignee:** Artin Industrial Co., Ltd., Kowloon, Hong Kong

[**] **Term:** 14 Years

[21] **Appl. No.:** 8,429

[22] **Filed:** Jan. 29, 1987

[30] **Foreign Application Priority Data**

Nov. 12, 1986 [GB] United Kingdom 1038002

[52] **U.S. Cl.** **D21/143**

[58] **Field of Search** D21/59, 143; 104/60, 104/113; 238/10 E, 10 F; 446/168, 429, 444, 487

[56] **References Cited**

U.S. PATENT DOCUMENTS

D. 207,911 6/1967 Weiss et al. D21/143

3,205,833 9/1965 Fitzpatrick 104/60

3,530,614 9/1970 Strongin 446/487

FOREIGN PATENT DOCUMENTS

365878 12/1938 Italy 446/444

Primary Examiner—Charles A. Rademaker

Assistant Examiner—Alicia A. Farrell

Attorney, Agent, or Firm—Fleit, Jacobson Cohn, Price, Holman & Stern

[57] **CLAIM**

The ornamental design for a folding toy racetrack, as shown and described.

DESCRIPTION

FIG. 1 is a top plan view of a folding toy racetrack showing my new design;

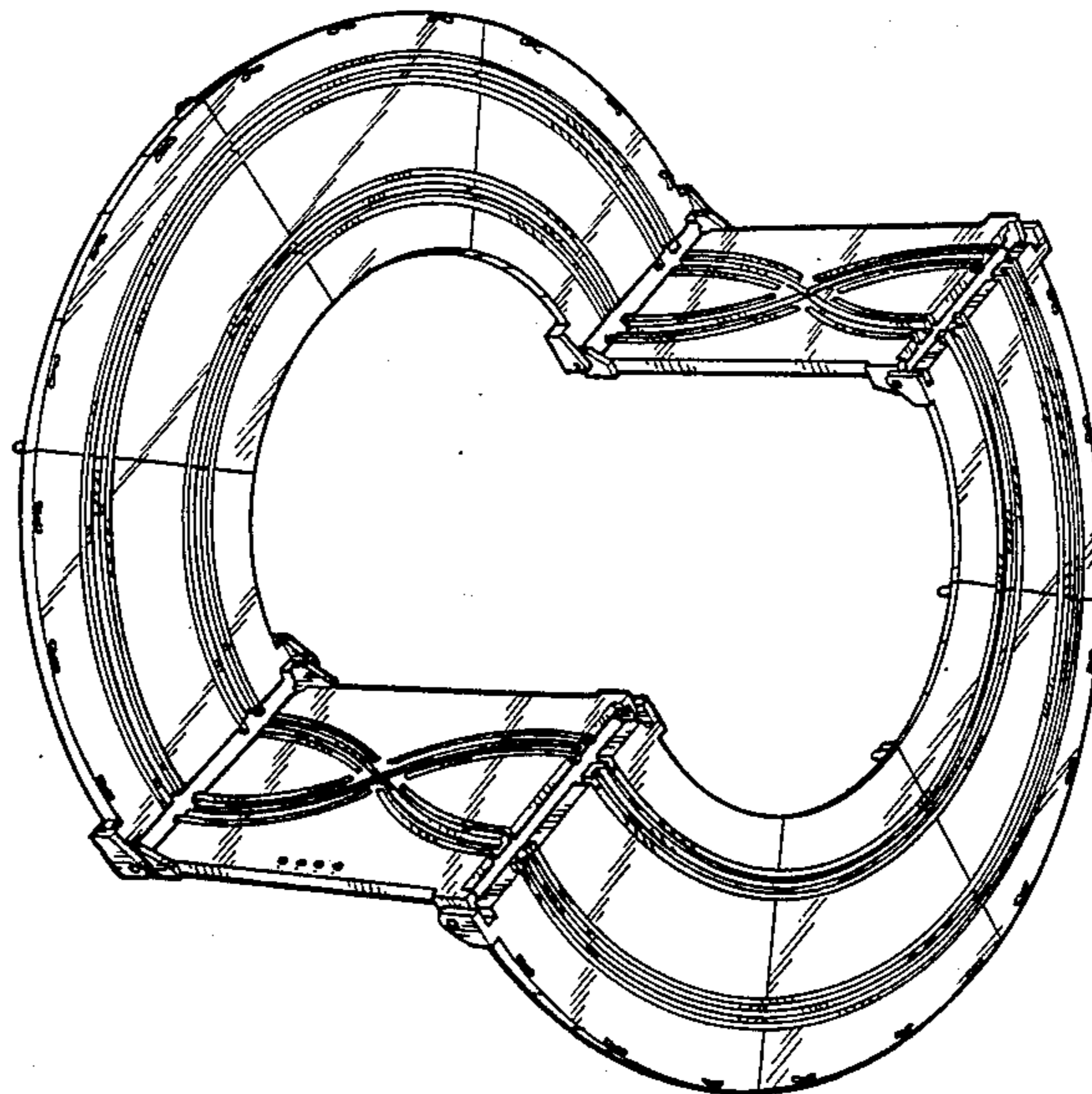
FIG. 2 is a bottom plan view thereof;

FIG. 3 is a top perspective view thereof in a semi-folded condition;

FIG. 4 is a bottom perspective view thereof in a semi-folded condition;

FIG. 5 is a top plan view thereof in the folded condition; and

FIG. 6 is a bottom plan view thereof in the folded condition.



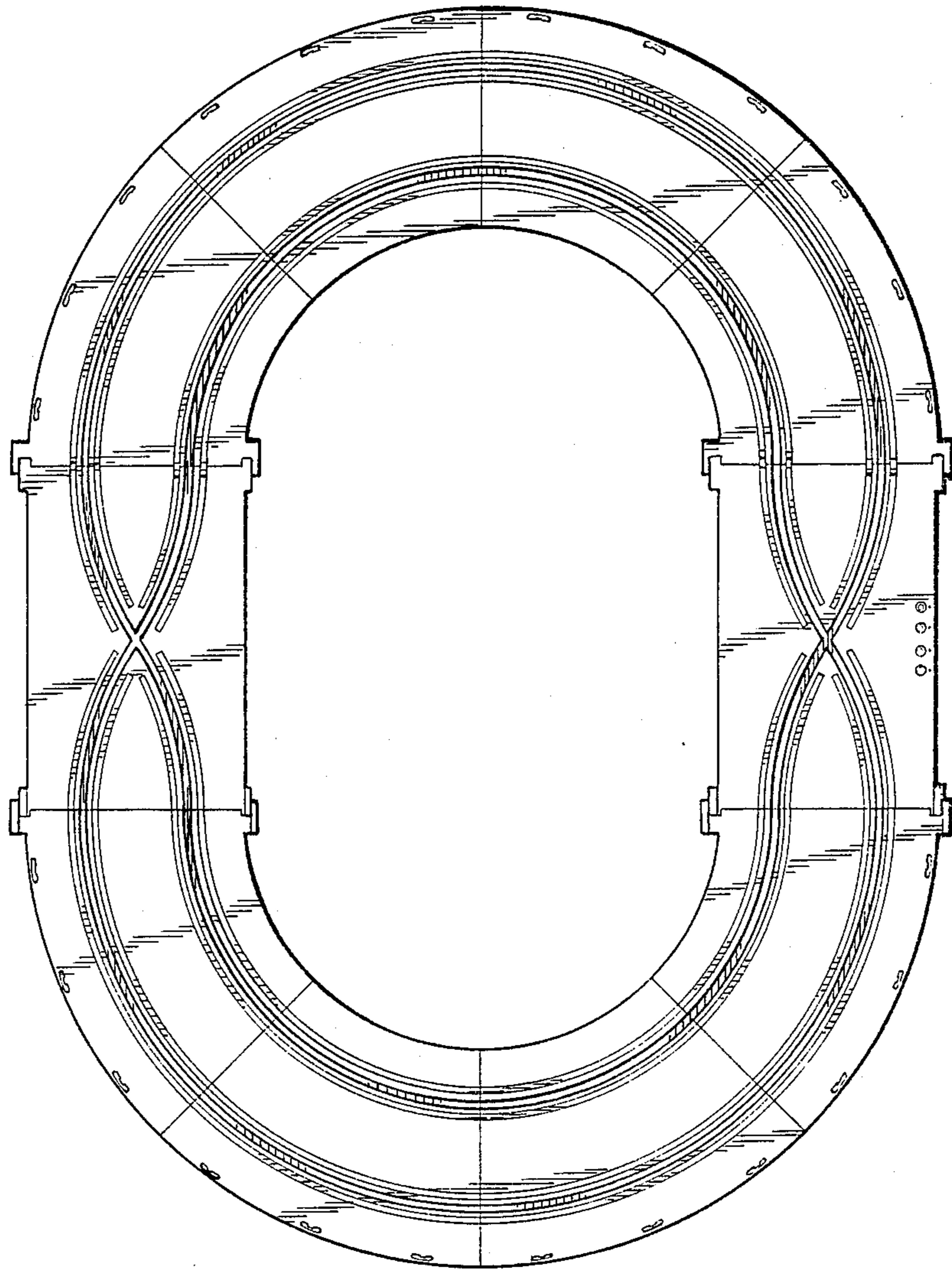


FIGURE 1

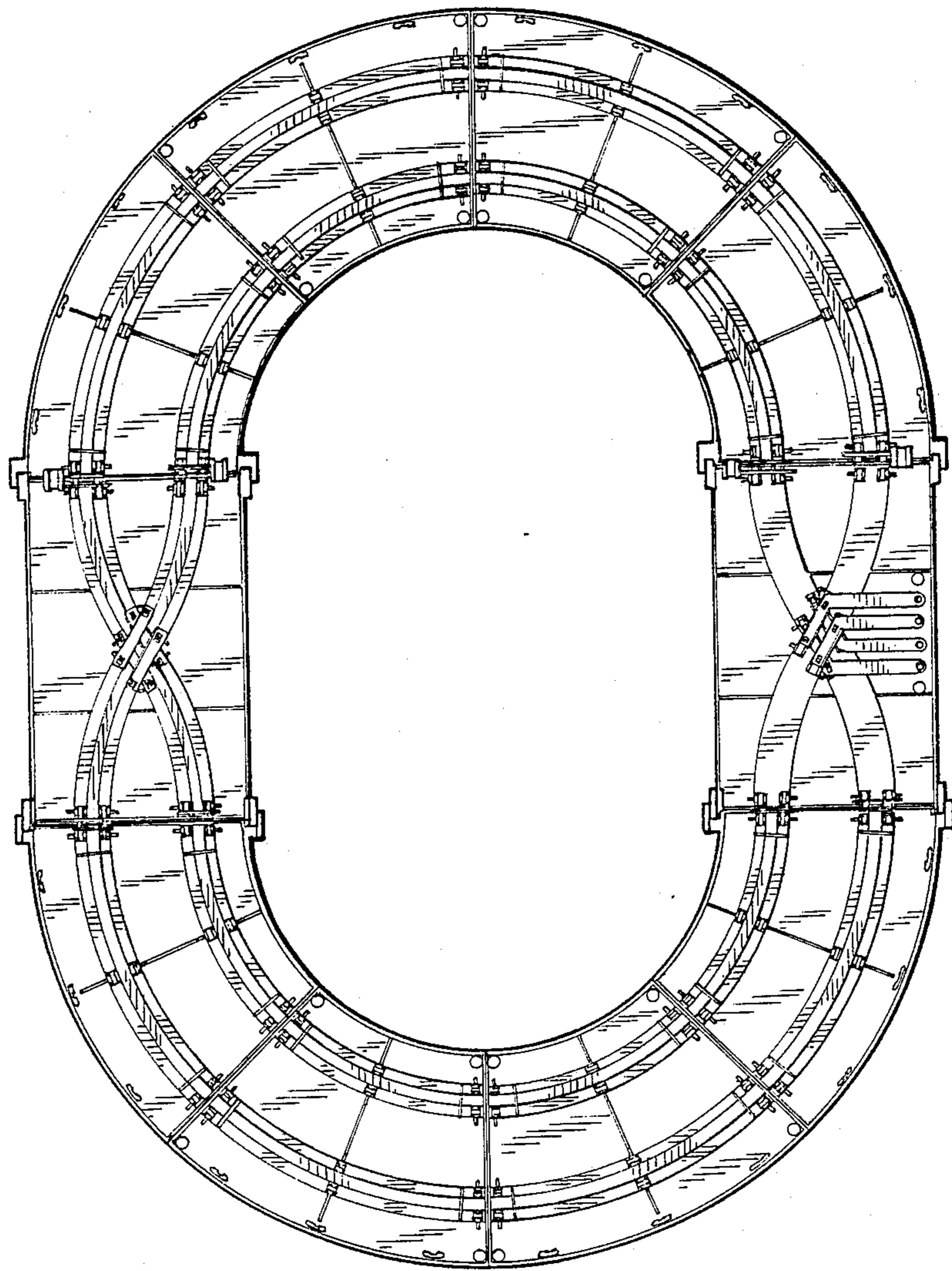


FIGURE 2

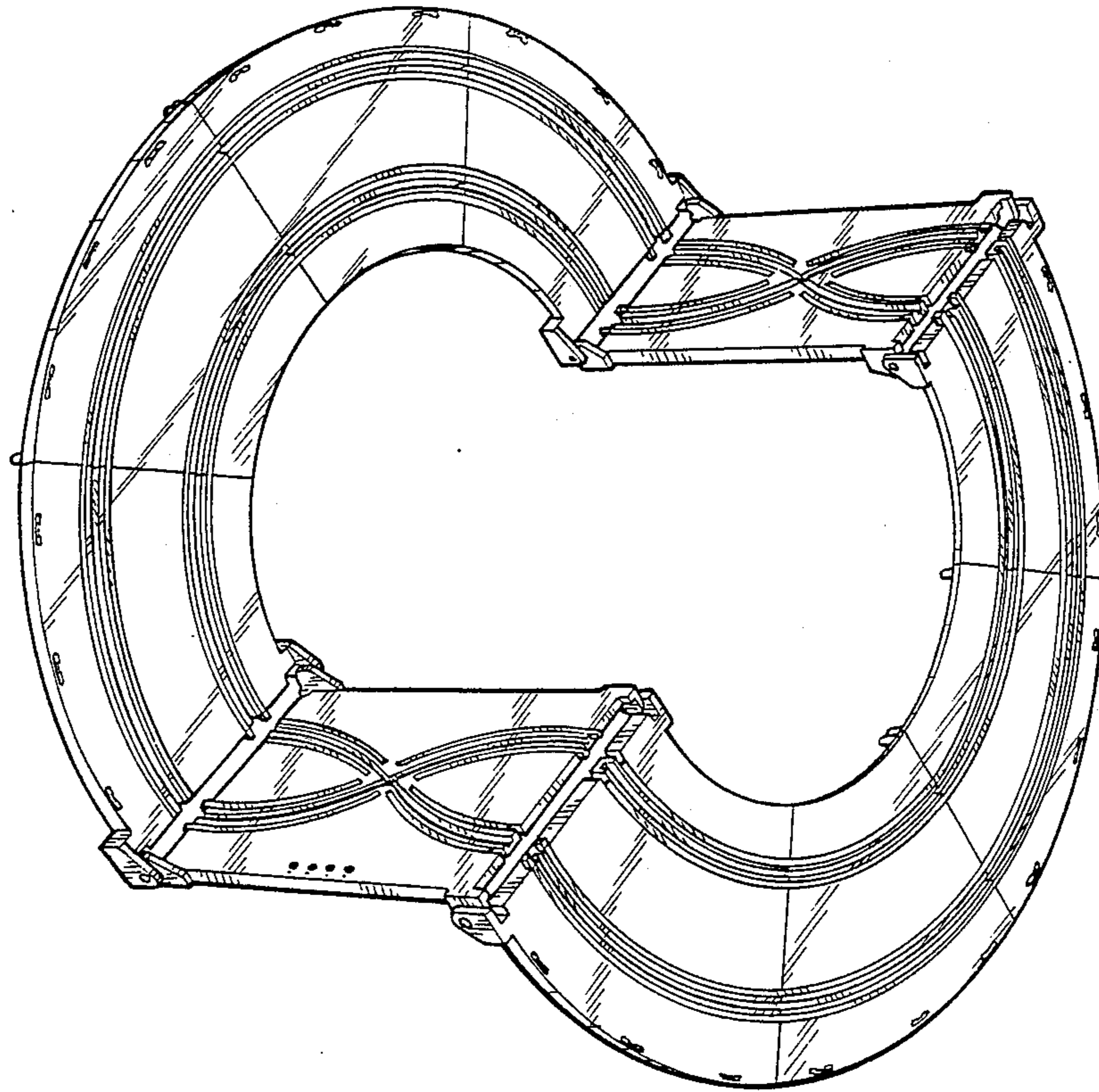


FIGURE 3

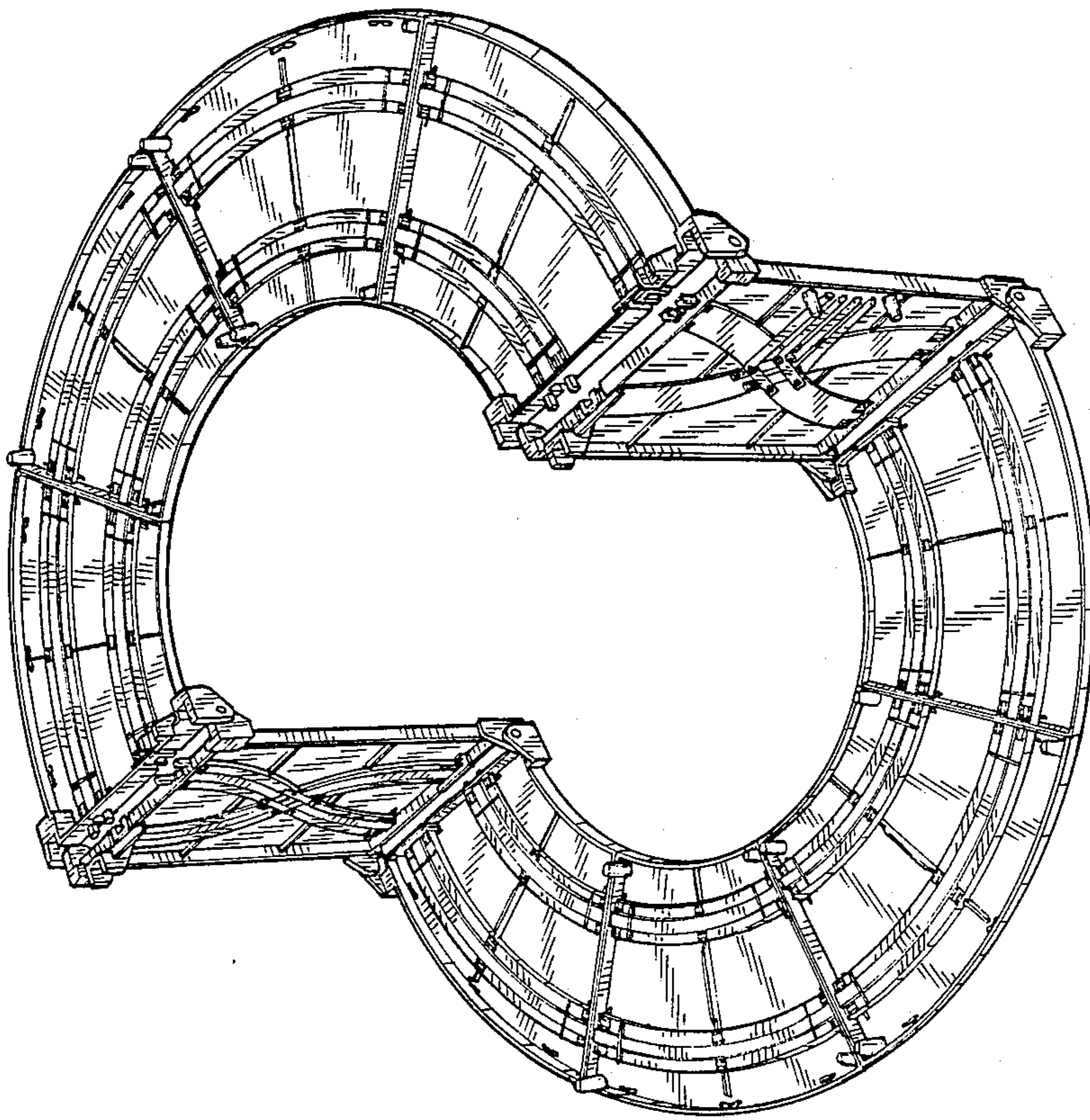


FIGURE 4

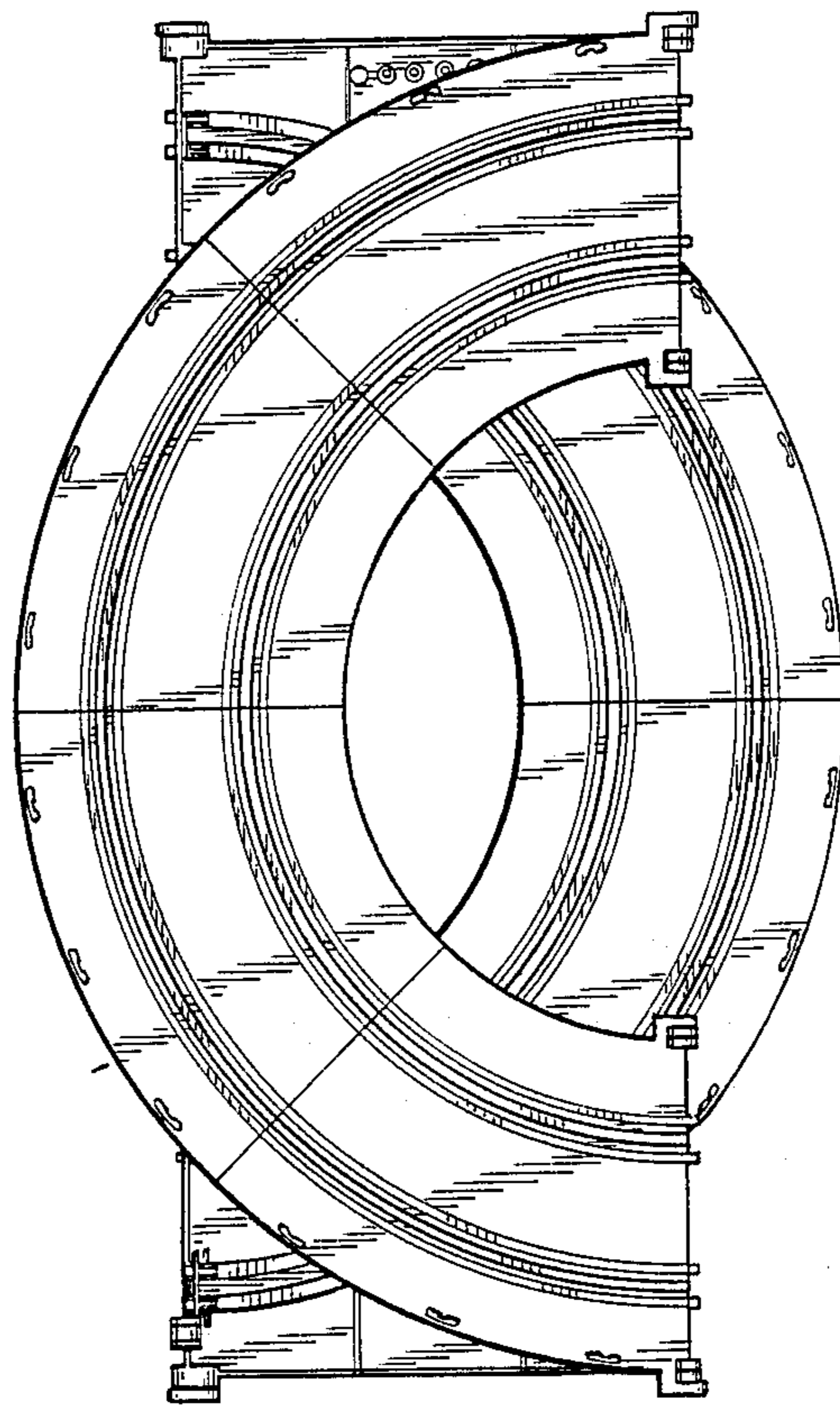


FIGURE 5

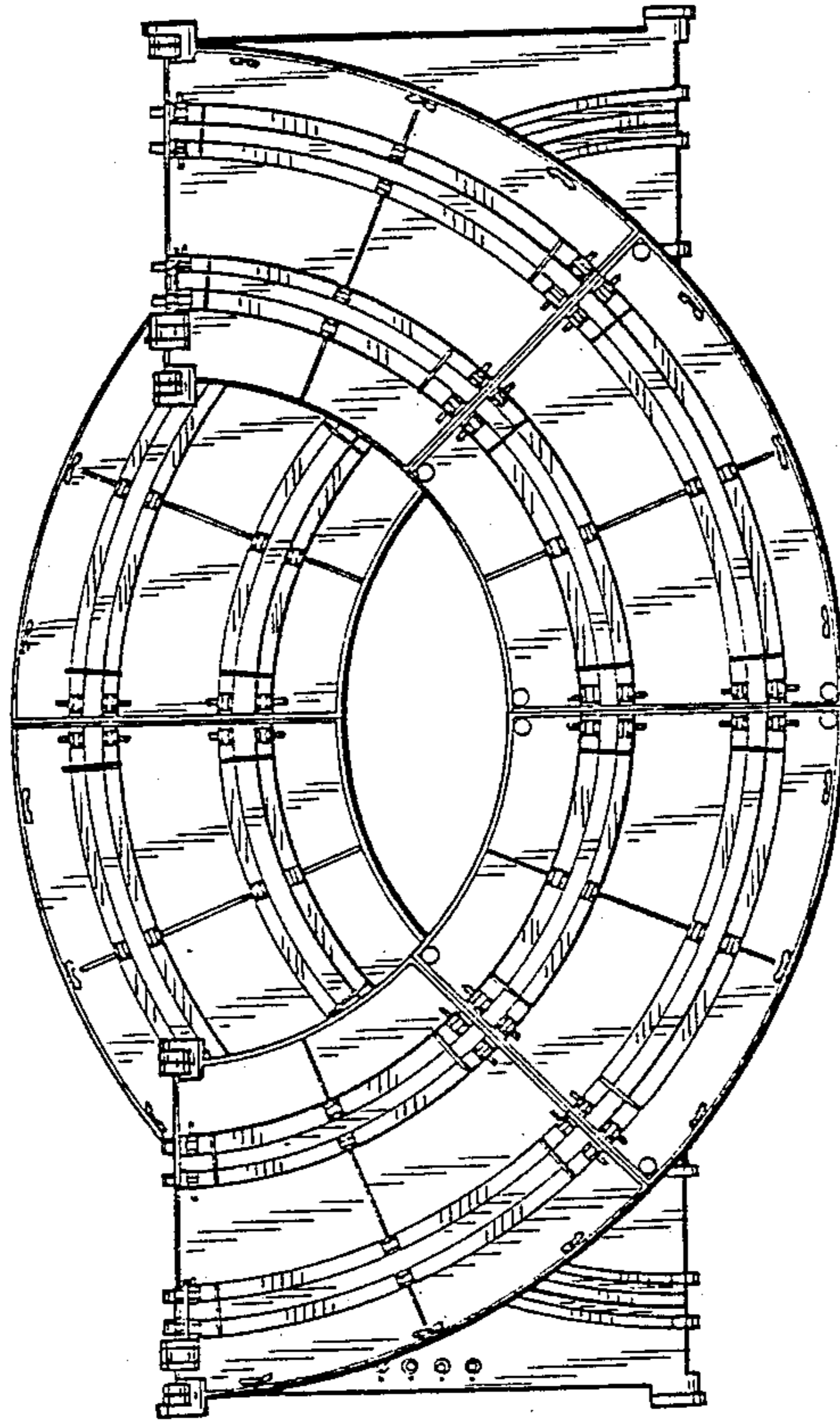


FIGURE 6