

[54] **HAND POWERED SCOOTER**

[75] **Inventors:** Hugo Rubio, North Hollywood;  
Mohammad Riaz, Moorpark;  
Bhikhabhai A. Patel, Chatsworth, all  
of Calif.

[73] **Assignee:** Biku Industries, Inc., Sun Valley,  
Calif.

[\*\*] **Term:** 14 Years

[21] **Appl. No.:** 51,482

[22] **Filed:** May 18, 1987

[52] **U.S. Cl.** ..... D21/81

[58] **Field of Search** ..... D21/80, 81, 76;  
280/249, 250, 240, 283, 87.04 R, 87.04 A;  
D12/111, 107, 112

[56] **References Cited**

**U.S. PATENT DOCUMENTS**

- D. 244,479 5/1977 Pasin ..... D21/80
- D. 292,221 10/1987 Scooter ..... D21/81

- D. 293,340 12/1987 Heilig ..... D21/81
- 505,373 9/1893 Sanford ..... D12/112

**OTHER PUBLICATIONS**

Design News-10-22-1979, p. 20, "Trike" at bottom of page.

*Primary Examiner*—Charles A. Rademaker  
*Attorney, Agent, or Firm*—Charles H. Schwartz;  
Ellsworth R. Roston

[57] **CLAIM**

The ornamental design for a hand powered scooter, as shown and described.

**DESCRIPTION**

FIG. 1 is a side elevational view of a hand powered scooter showing our new design;  
FIG. 2 is a front elevational view thereof;  
FIG. 3 is a rear elevational view thereof;  
FIG. 4 is a side elevational view of the side opposite that shown in FIG. 1;  
FIG. 5 is a top plan view thereof; and  
FIG. 6 is a bottom plan view thereof.

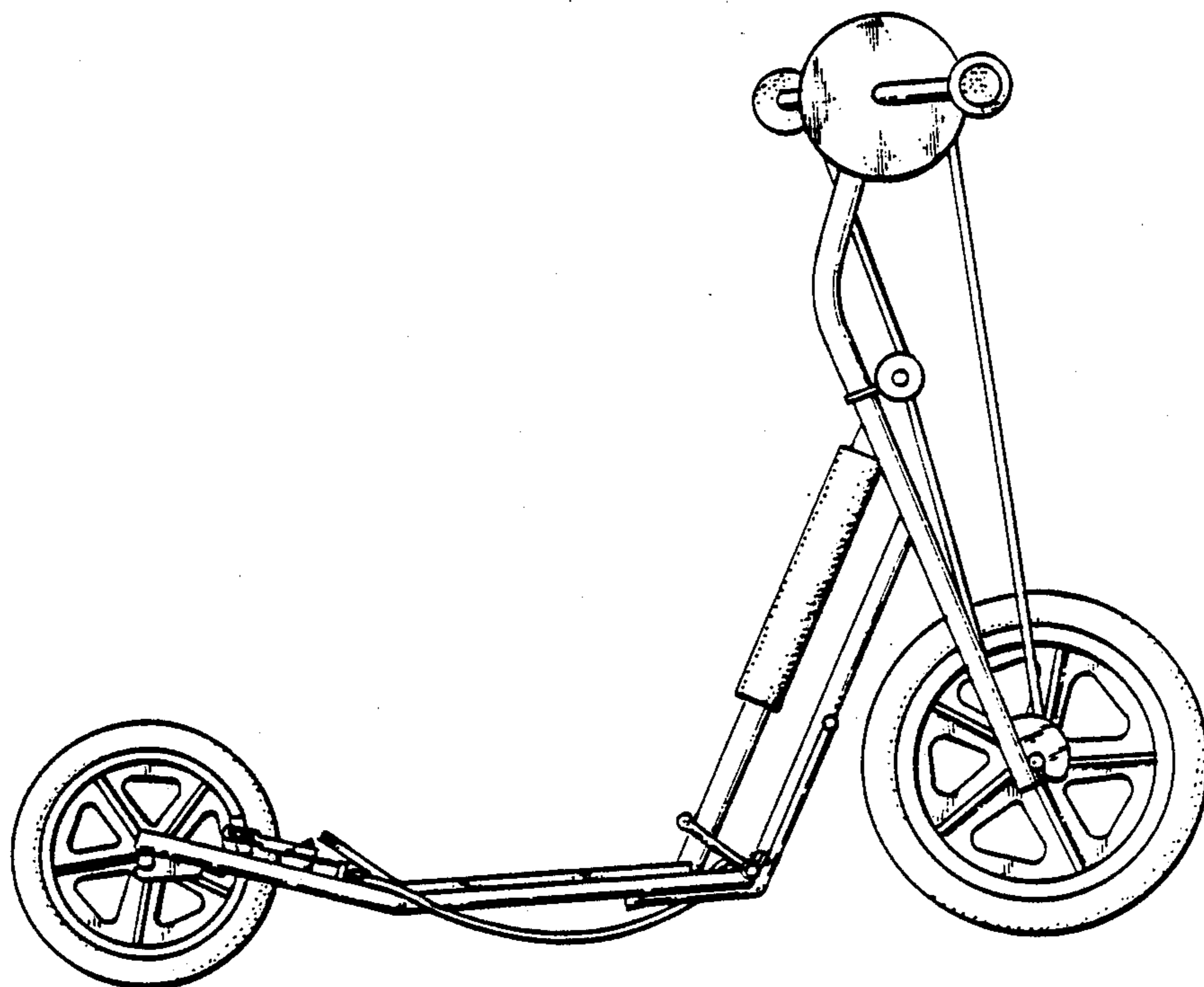


FIG. 1

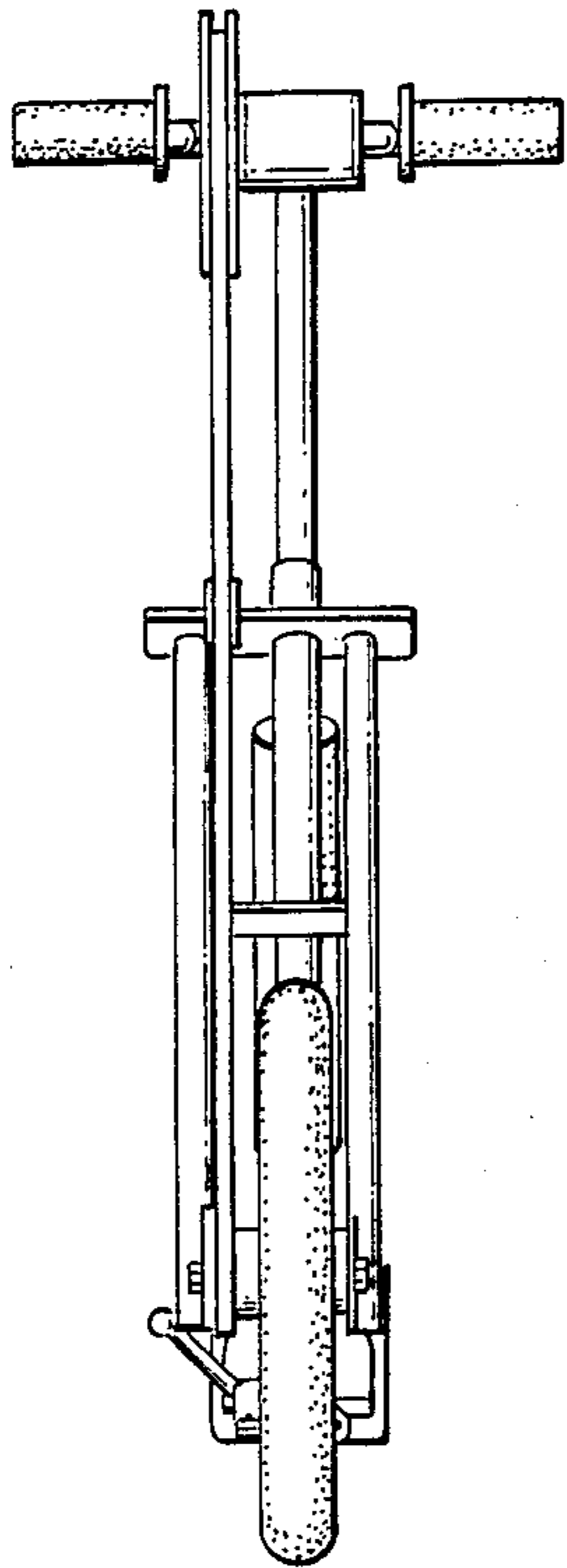
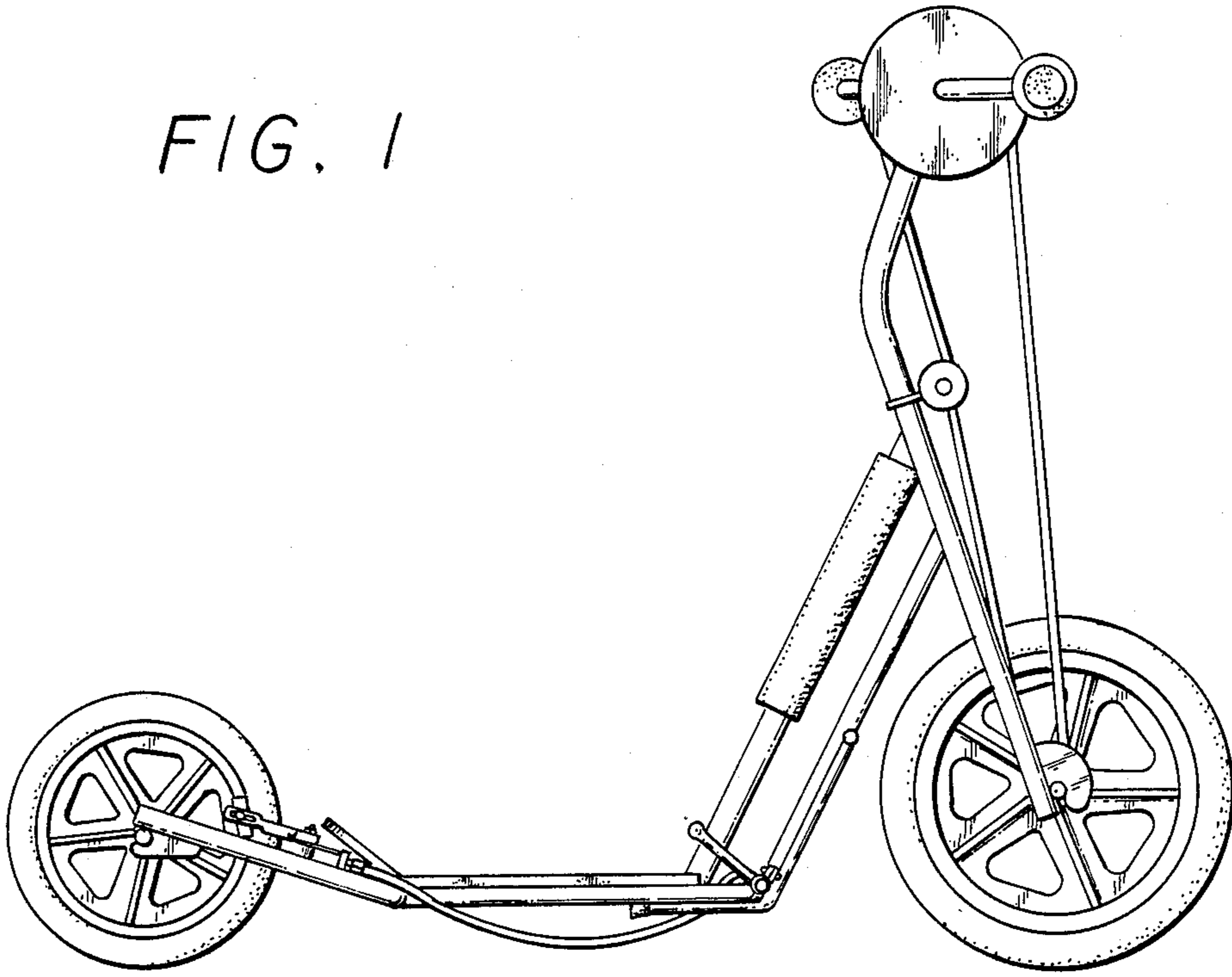


FIG. 2

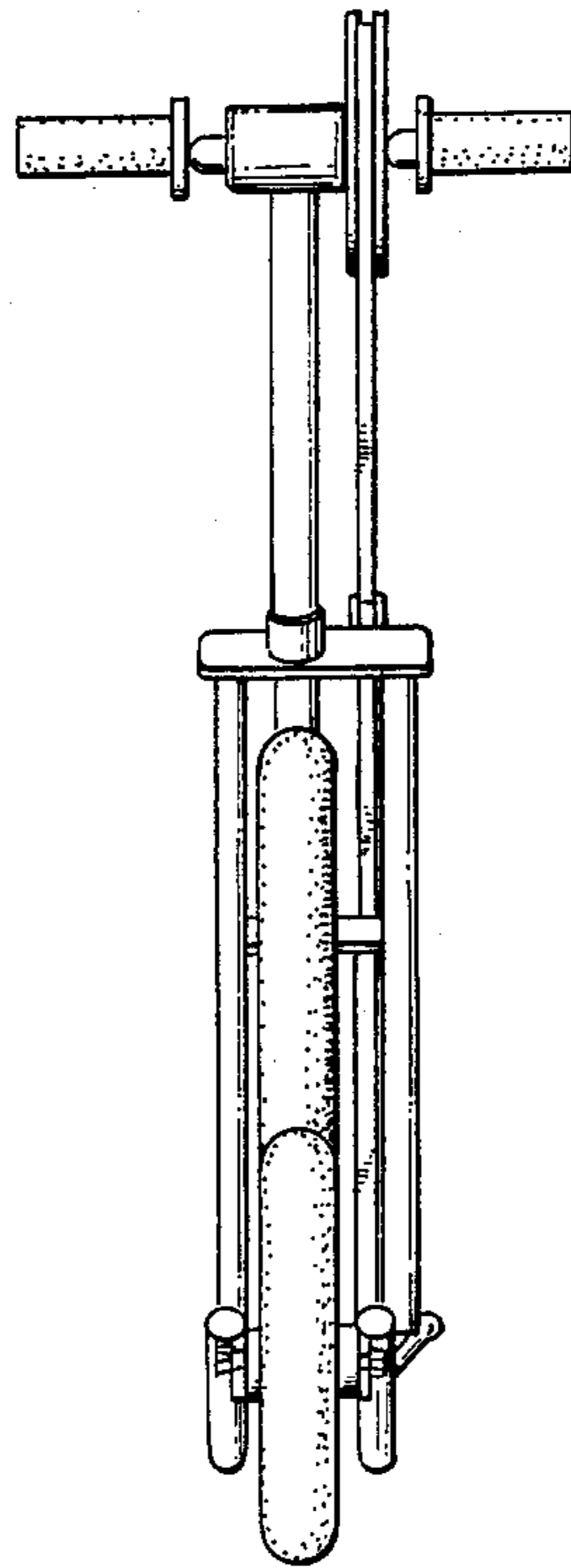


FIG. 3

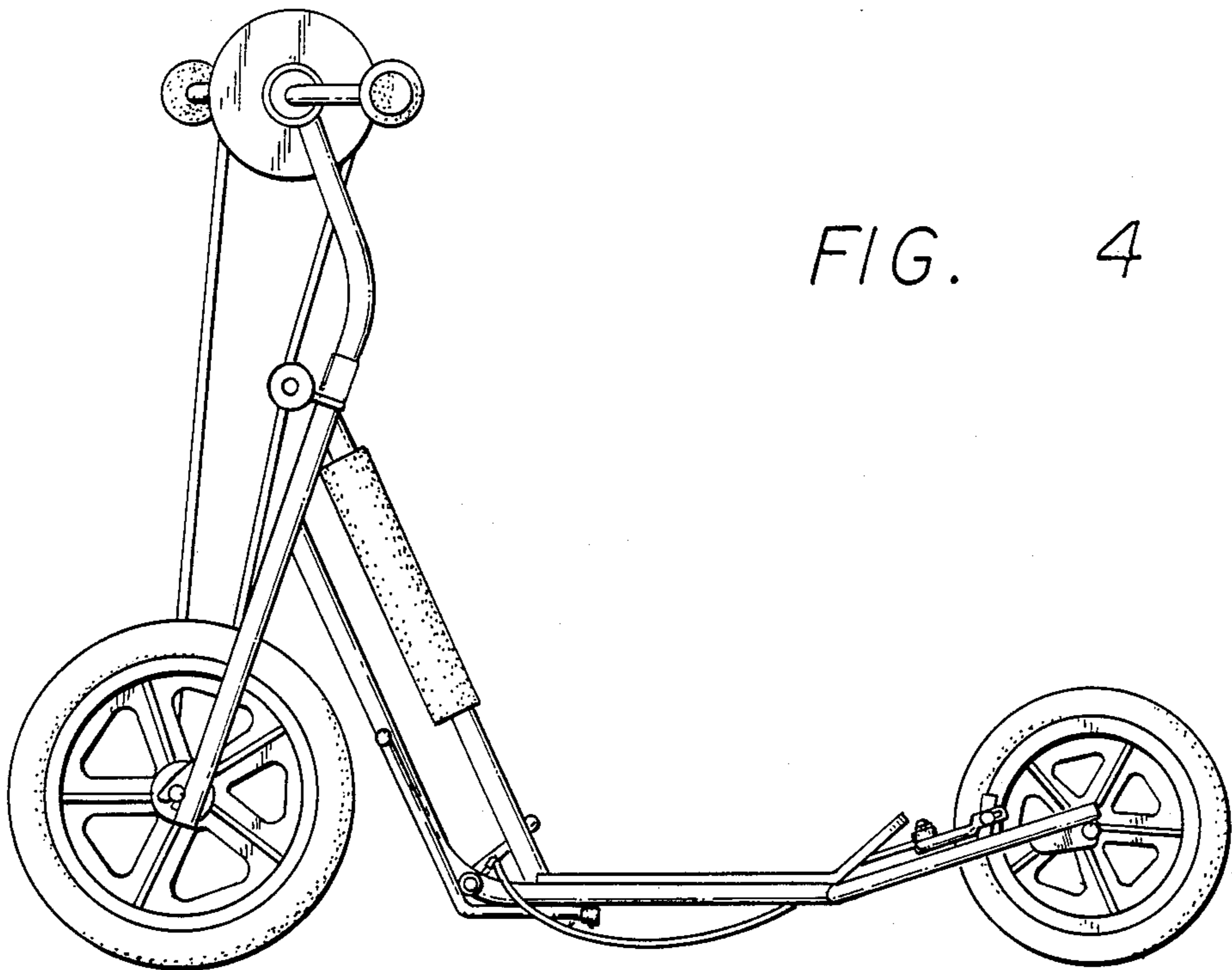


FIG. 5

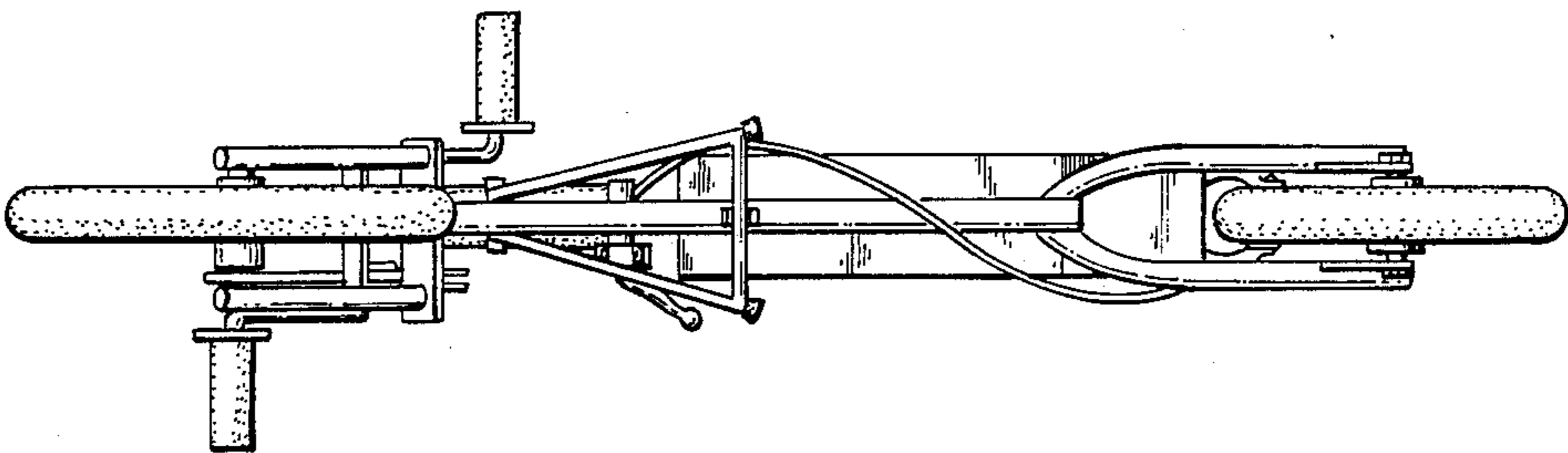
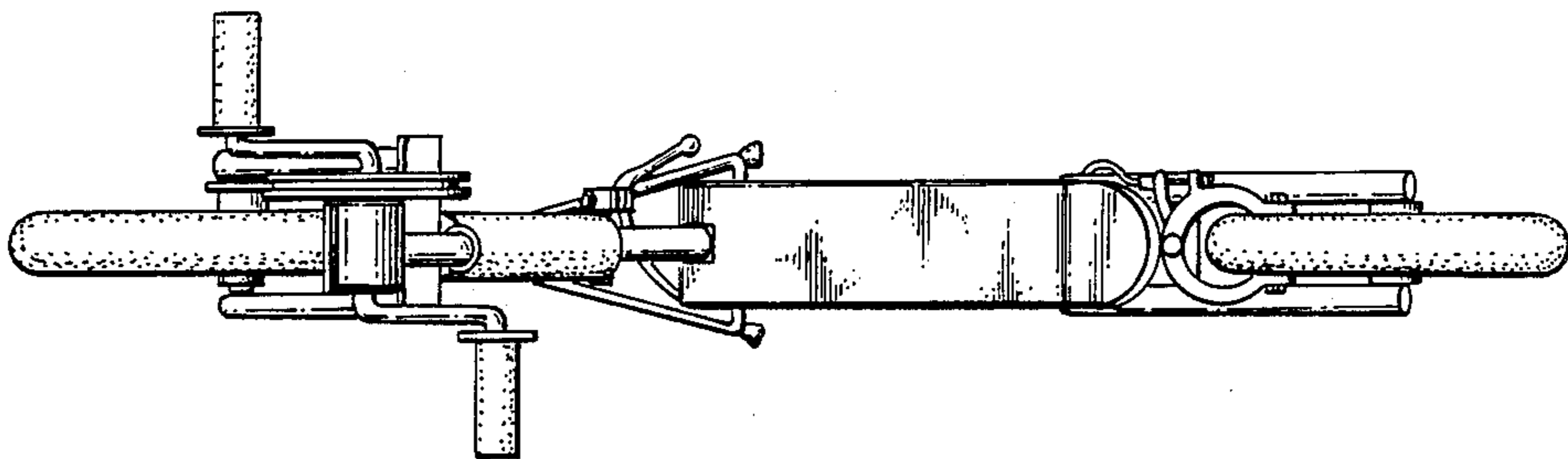


FIG. 6