

[54] **TELESCOPE**

[75] **Inventor: Shintaro Tsuji, Tokyo, Japan**

[73] **Assignee: Sanrio Company, Ltd., Tokyo, Japan**

[**] **Term: 14 Years**

[21] **Appl. No.: 229,028**

[22] **Filed: Aug. 5, 1988**

[52] **U.S. Cl. D16/132**

[58] **Field of Search D16/132, 134, 110;
350/537; 33/245, 249**

[56] **References Cited**

U.S. PATENT DOCUMENTS

- D. 272,916 3/1984 Tomatsuri D16/132
- D. 288,796 3/1987 Nakano et al. D12/110
- 4,401,316 8/1983 Miyakoshi 280/277

Primary Examiner—A. Hugo Word
Assistant Examiner—Doris V. Coles

Attorney, Agent, or Firm—Owen, Wickersham & Erickson

[57] **CLAIM**

The ornamental design for a telescope, as shown.

DESCRIPTION

FIG. 1 is a side view in elevation of a telescope, showing my new design in the fully extended position;
FIG. 2 is a top plan view of a telescope, showing my new design in the fully retracted position;
FIG. 3 is a bottom plan view of the same in the retracted position;
FIG. 4 is a side view in elevation of the same in the retracted position;
FIG. 5 is a view in front elevation of the same in the retracted position;
FIG. 6 is a view in rear elevation of the same in the retracted position;
FIG. 7 is a view in section of the same in the retracted position, taken along line 7—7 in FIG. 5.

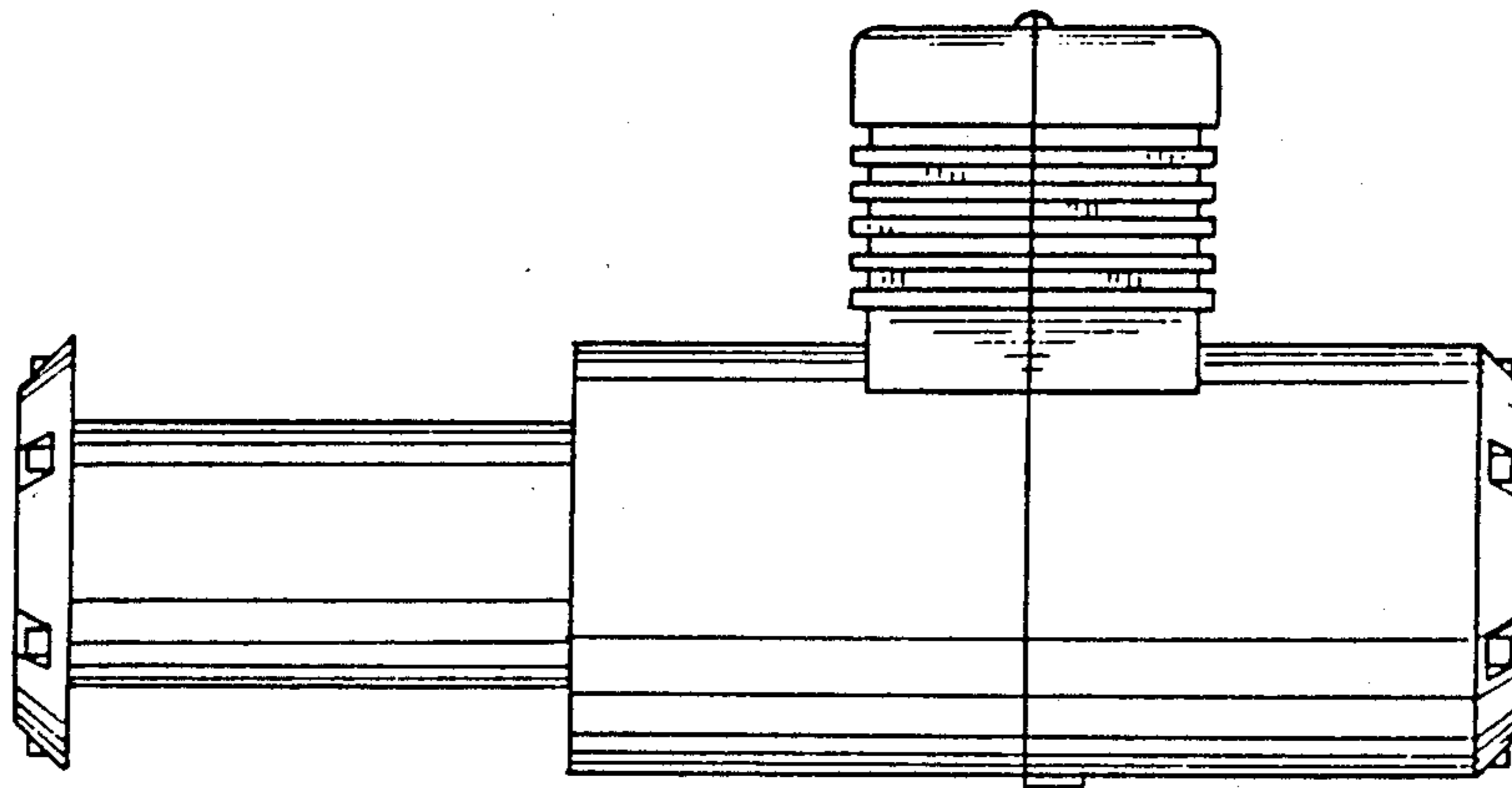


FIG. 3

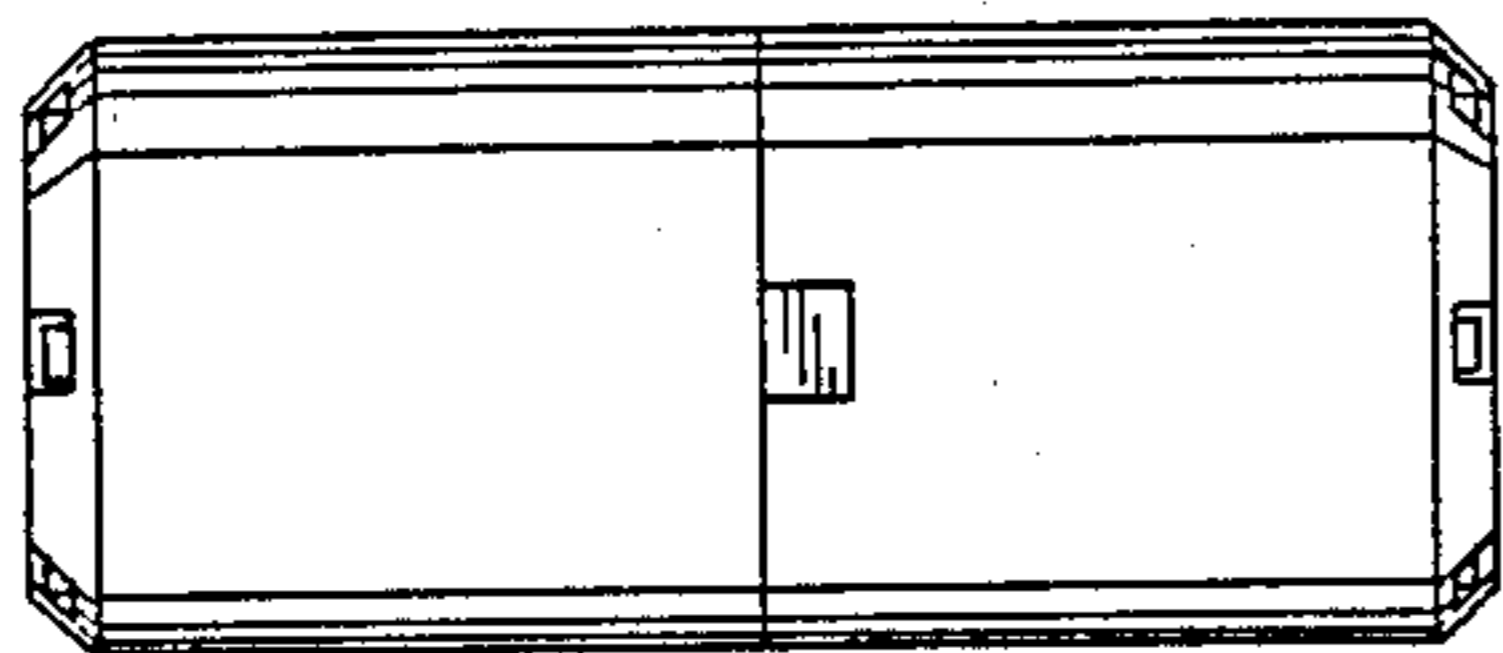


FIG. 2

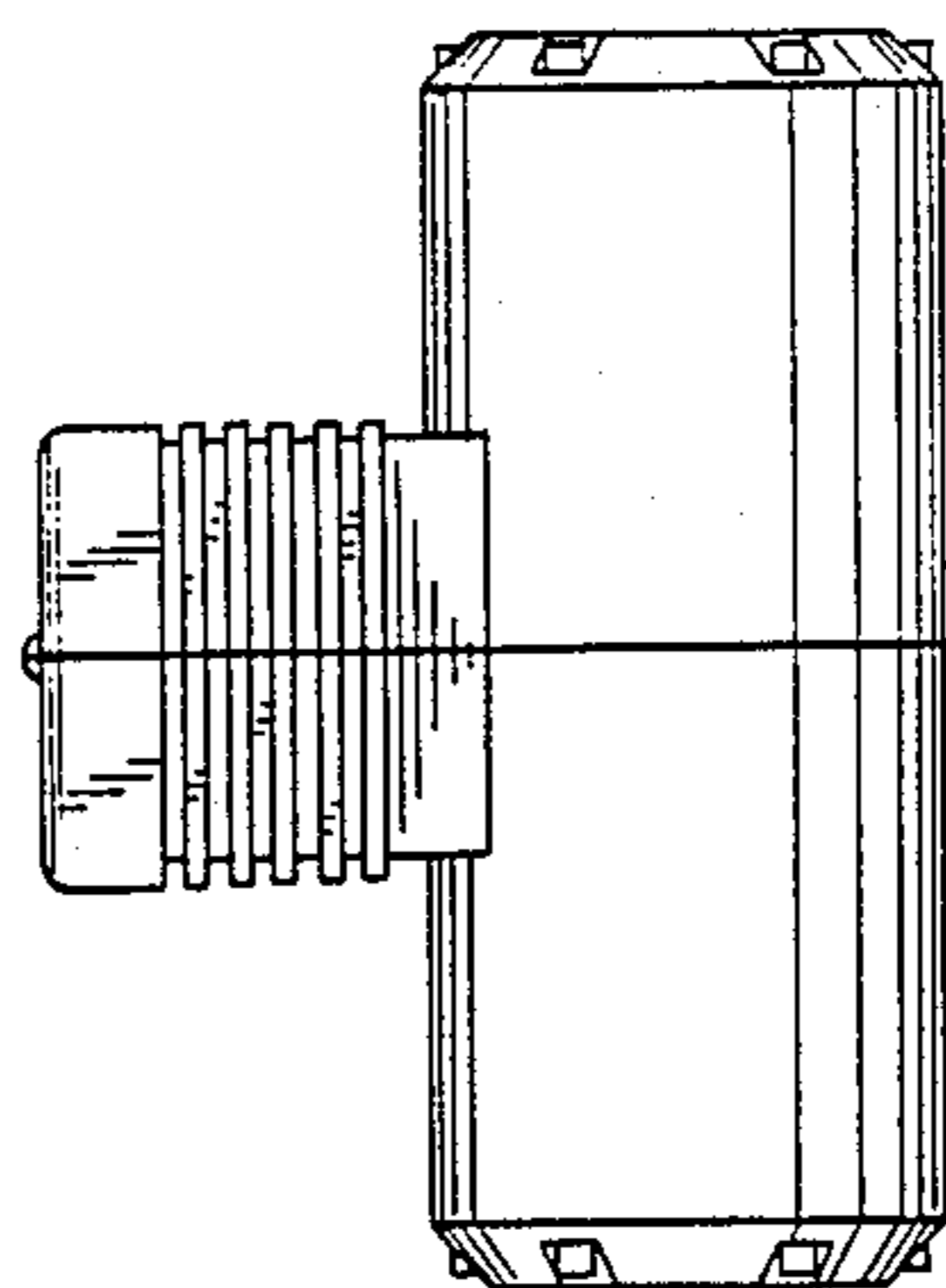
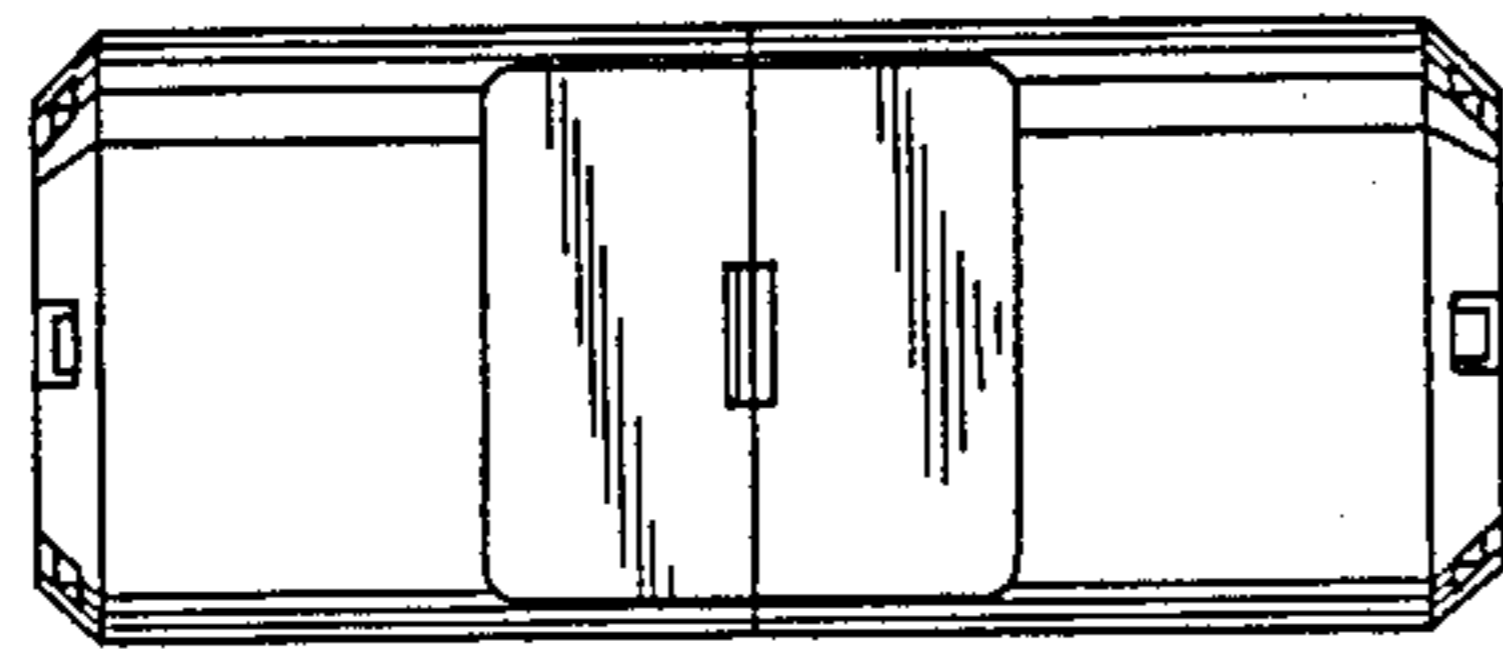


FIG. 4

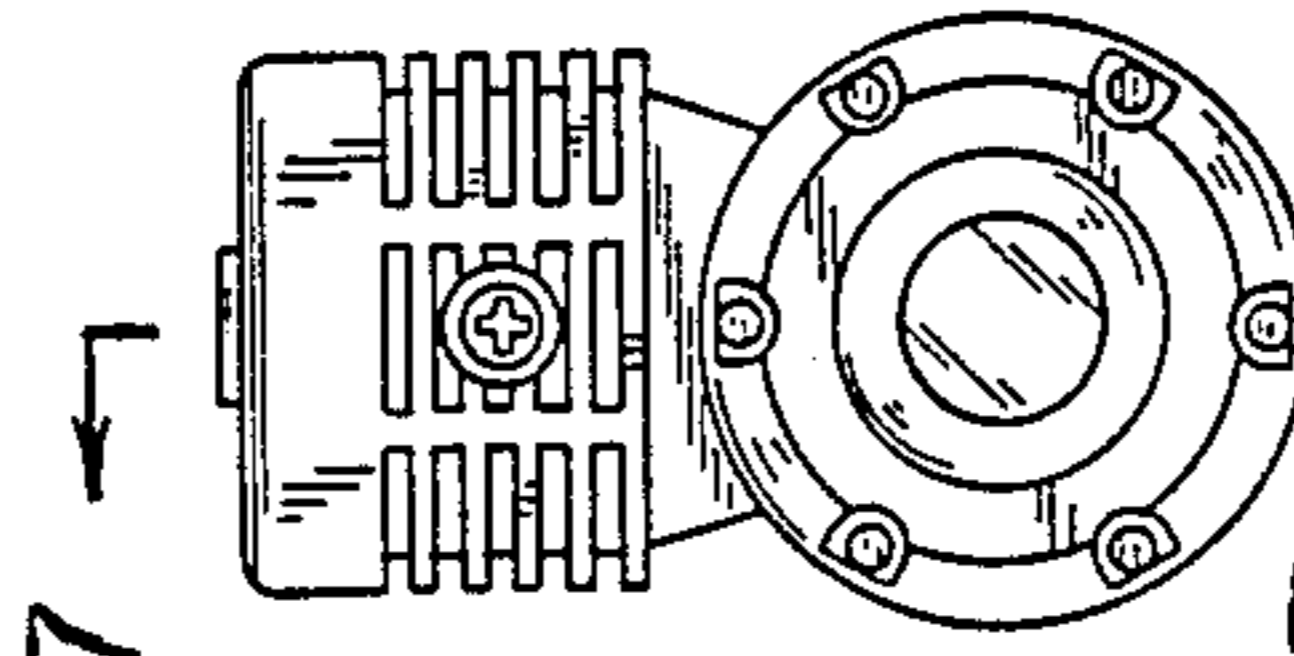


FIG. 5

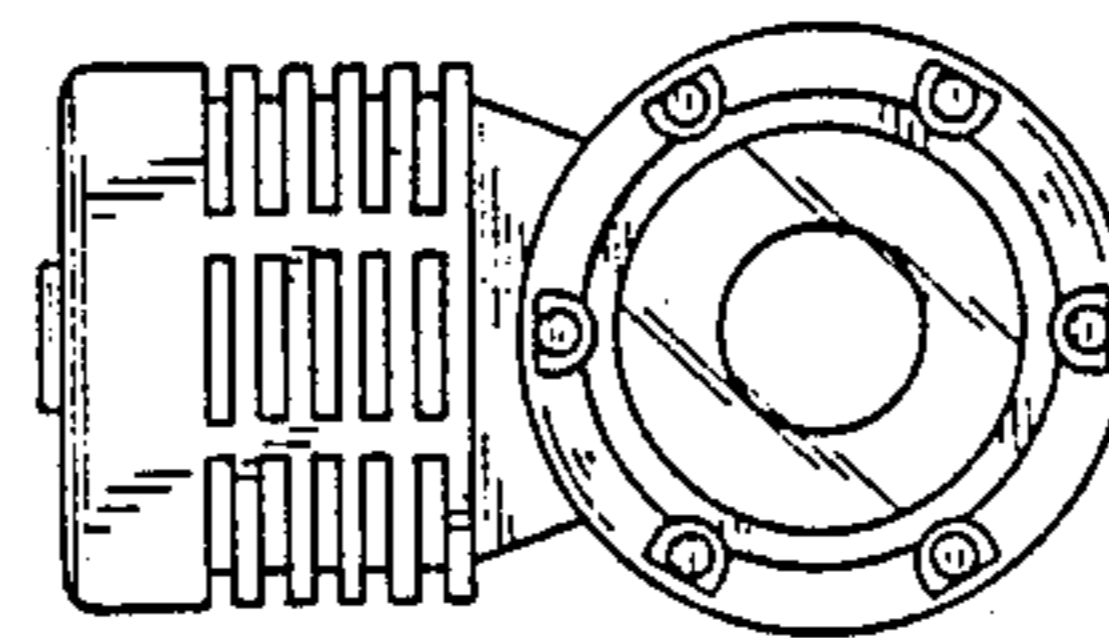


FIG. 6

FIG. 7

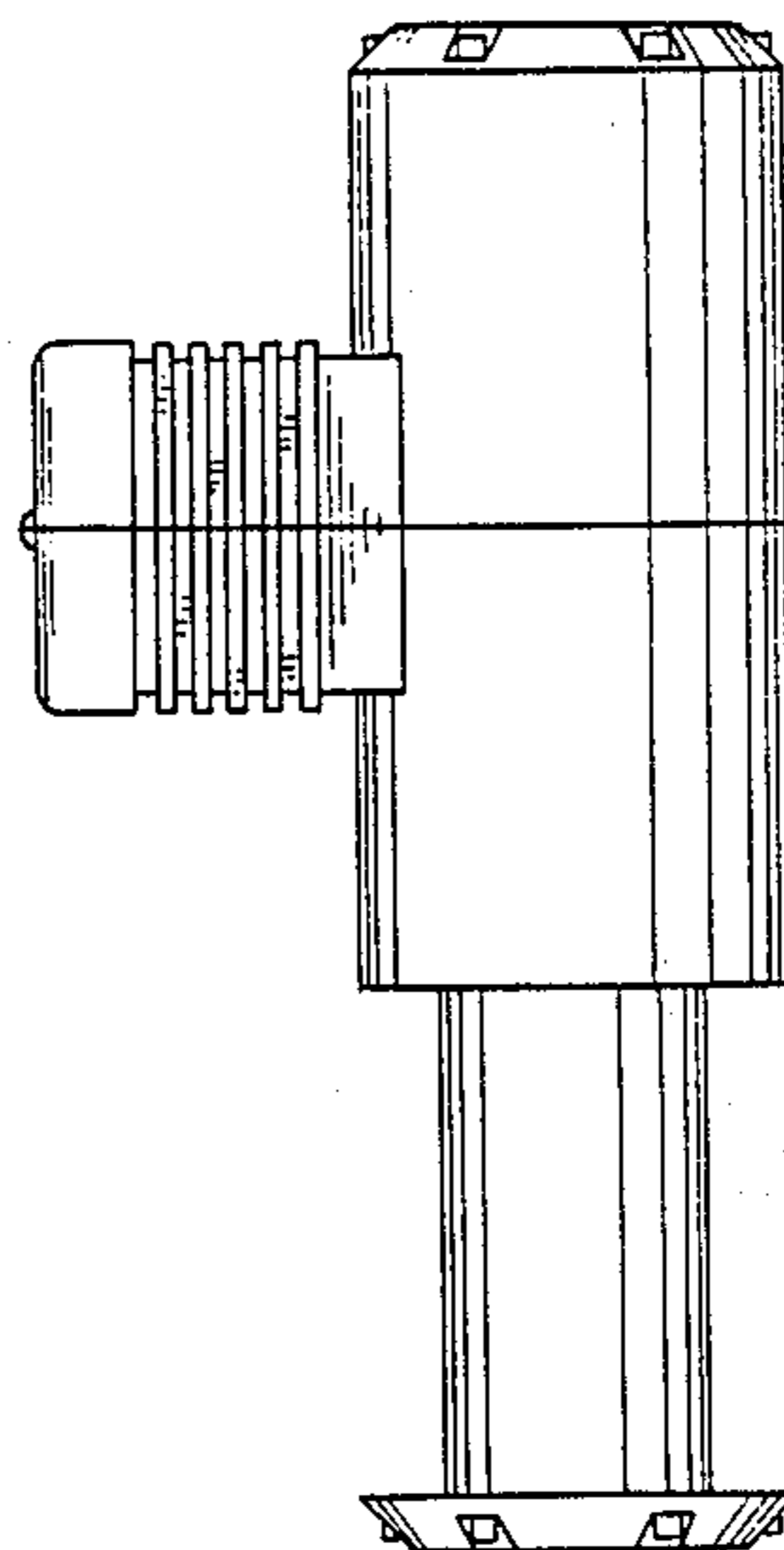
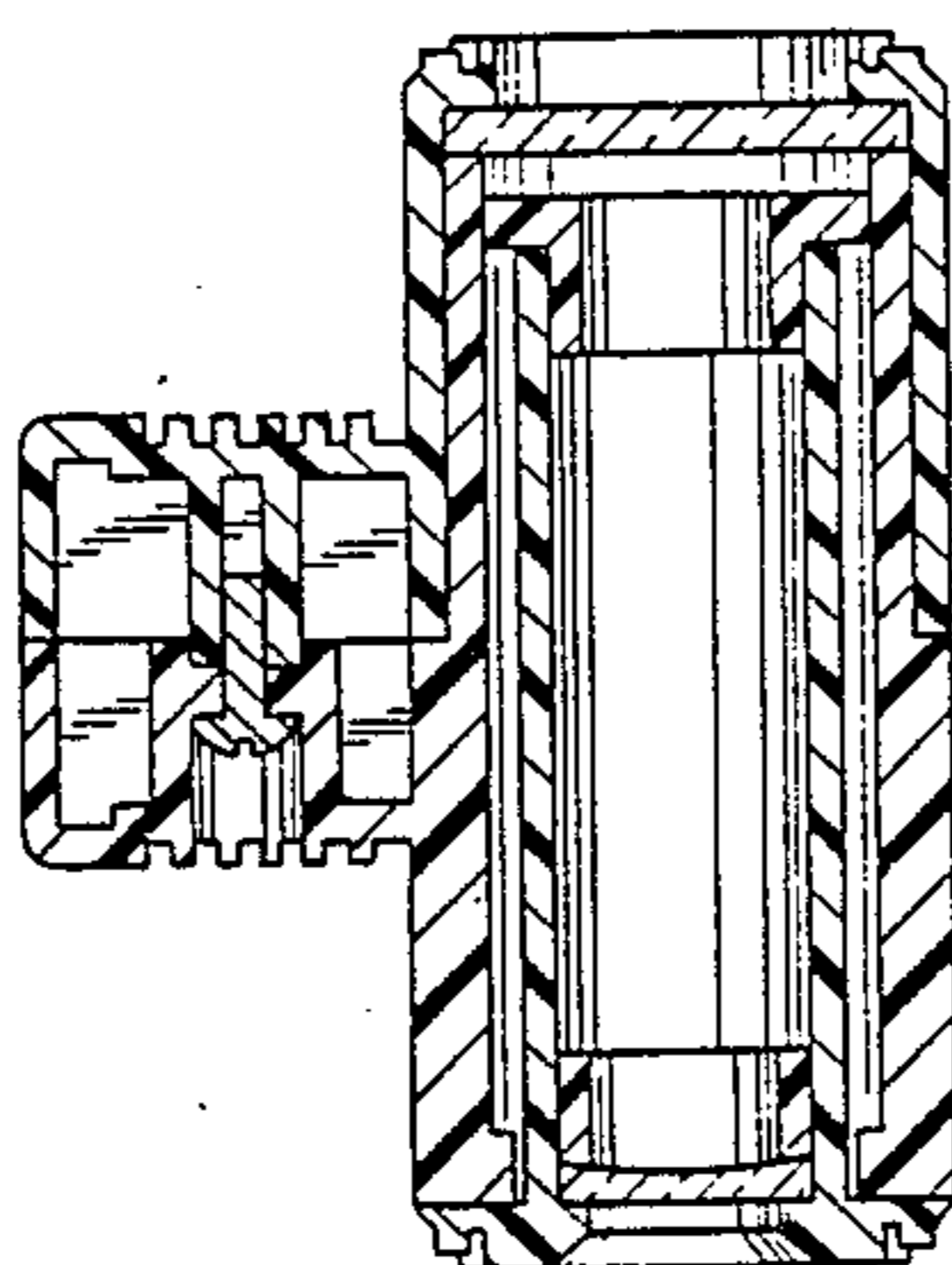


FIG. 1