

[54] QUICK RELEASE VALVE COVER ASSEMBLY

[76] Inventors: Terry L. Garrett, 8312 E. 11th St., Tulsa, Okla. 74127; Richard P. Brumbaugh, Jr., Rte. 2, Box 958, Manford, Okla. 74044

[**] Term: 14 Years

[21] Appl. No.: 81,179

[22] Filed: Aug. 4, 1987

[52] U.S. Cl. D15/5

[58] Field of Search D15/1, 3, 5; 123/90.38, 123/195 C, 198 E

[56] References Cited

U.S. PATENT DOCUMENTS

- D. 252,878 9/1979 Bellino et al. D15/5
- 2,724,378 11/1955 Wellman 123/198 E
- 3,396,712 8/1968 Sakraida et al. 123/198 E

FOREIGN PATENT DOCUMENTS

869752 11/1941 France .

OTHER PUBLICATIONS

J. C. Whitney Catalogue #466-C, 3/24/86, p. 191—Valve Cover.

J. C. Whitney Catalogue #466-C, 3/24/86, p. 193—Black Krinkle Cast Aluminum Valve Cover.

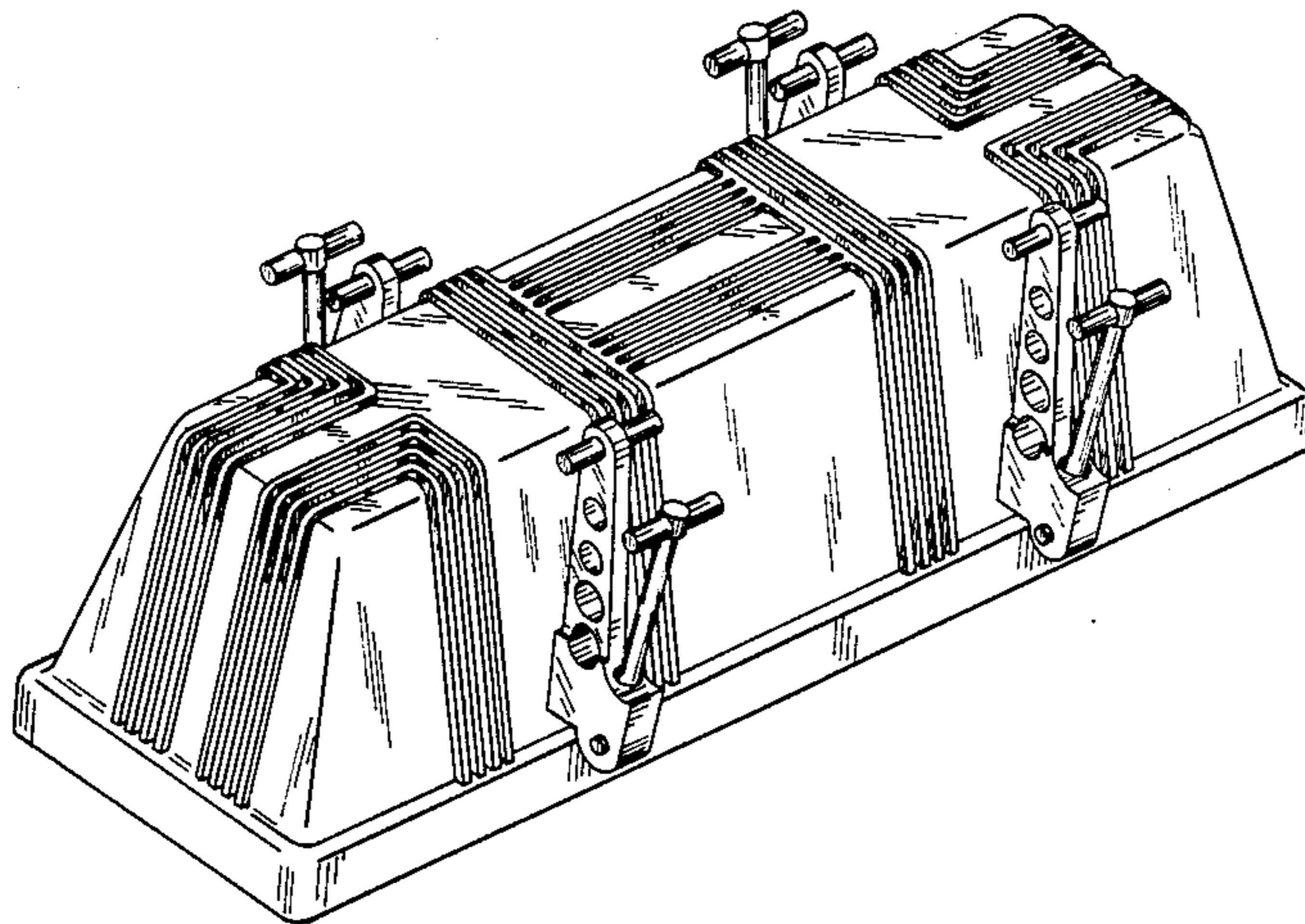
Primary Examiner—Wallace R. Burke
Assistant Examiner—Brian N. Vinson
Attorney, Agent, or Firm—Richard C. Litman

[57] CLAIM

The ornamental design for a quick release valve cover assembly, as shown and described.

DESCRIPTION

FIG. 1 is a front elevational view of a quick release valve cover assembly showing our new design, the rear being a mirror image of that shown;
FIG. 2 is a top plan view thereof;
FIG. 3 is a bottom plan view thereof;
FIG. 4 is a right side elevational view thereof, the left side being a mirror image of that shown; and
FIG. 5 is a perspective view thereof.



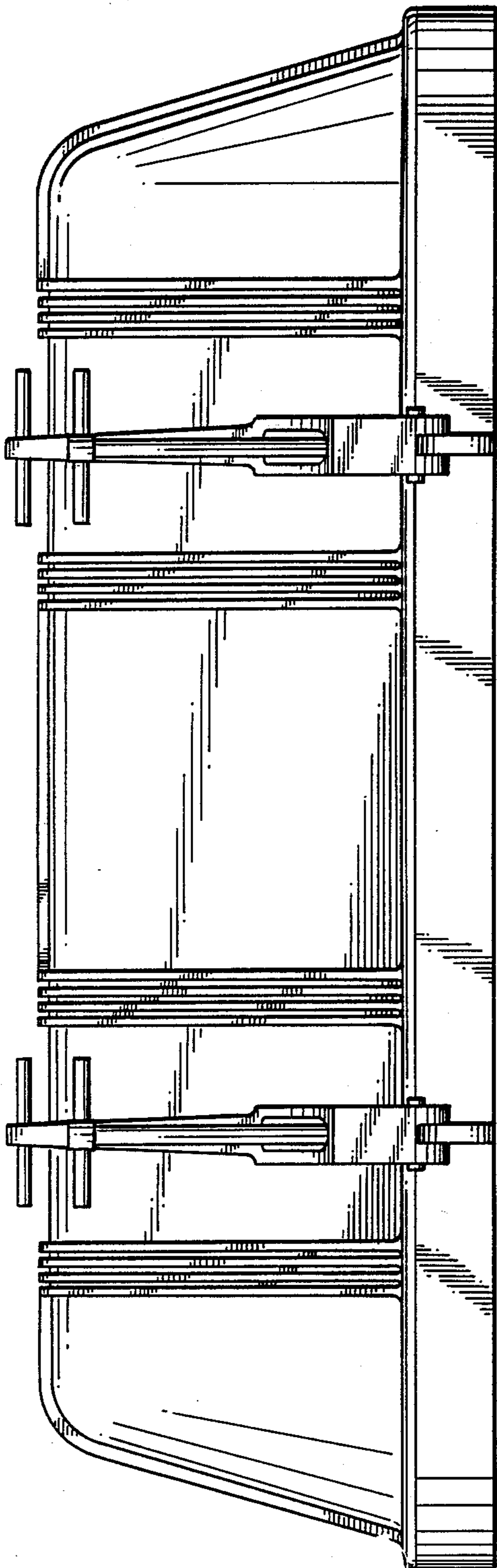


FIG. 1

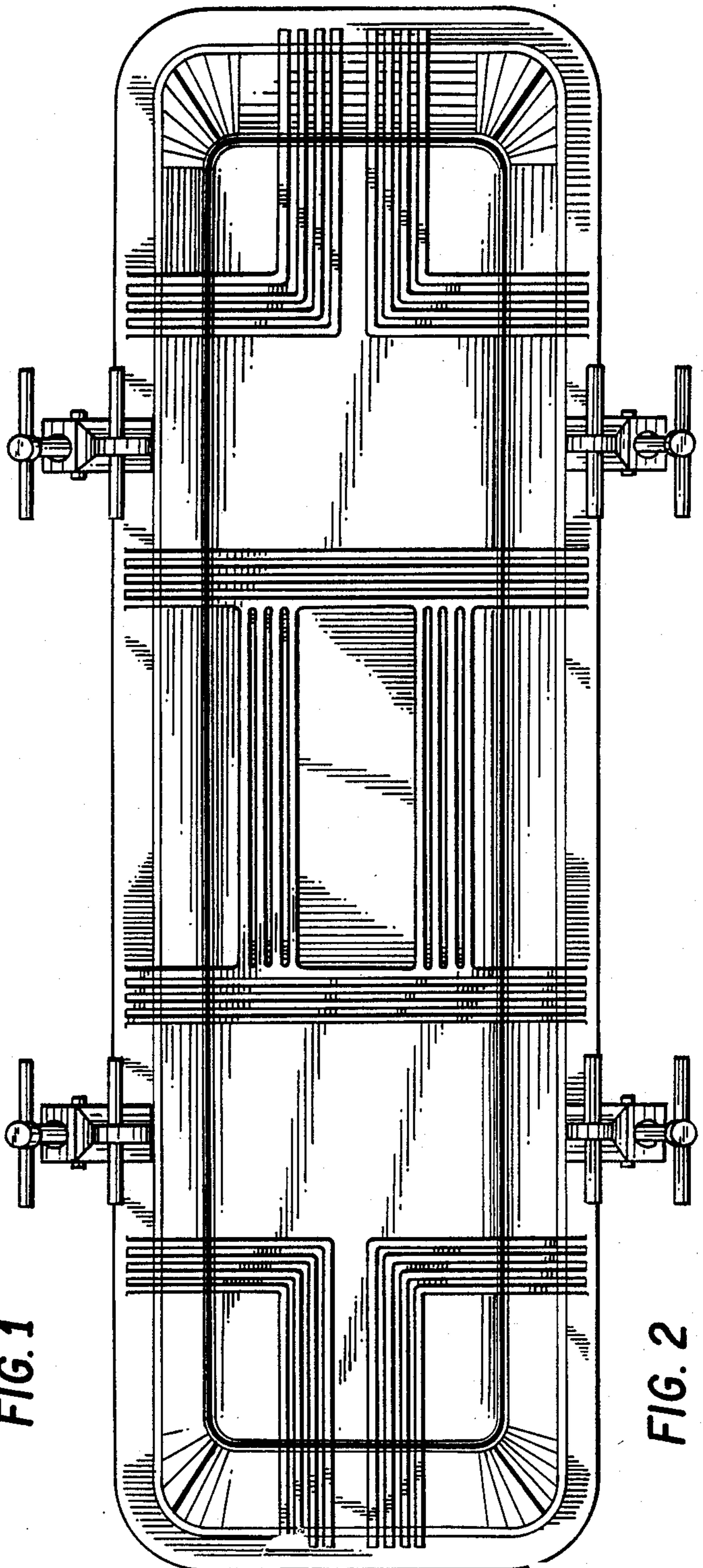


FIG. 2

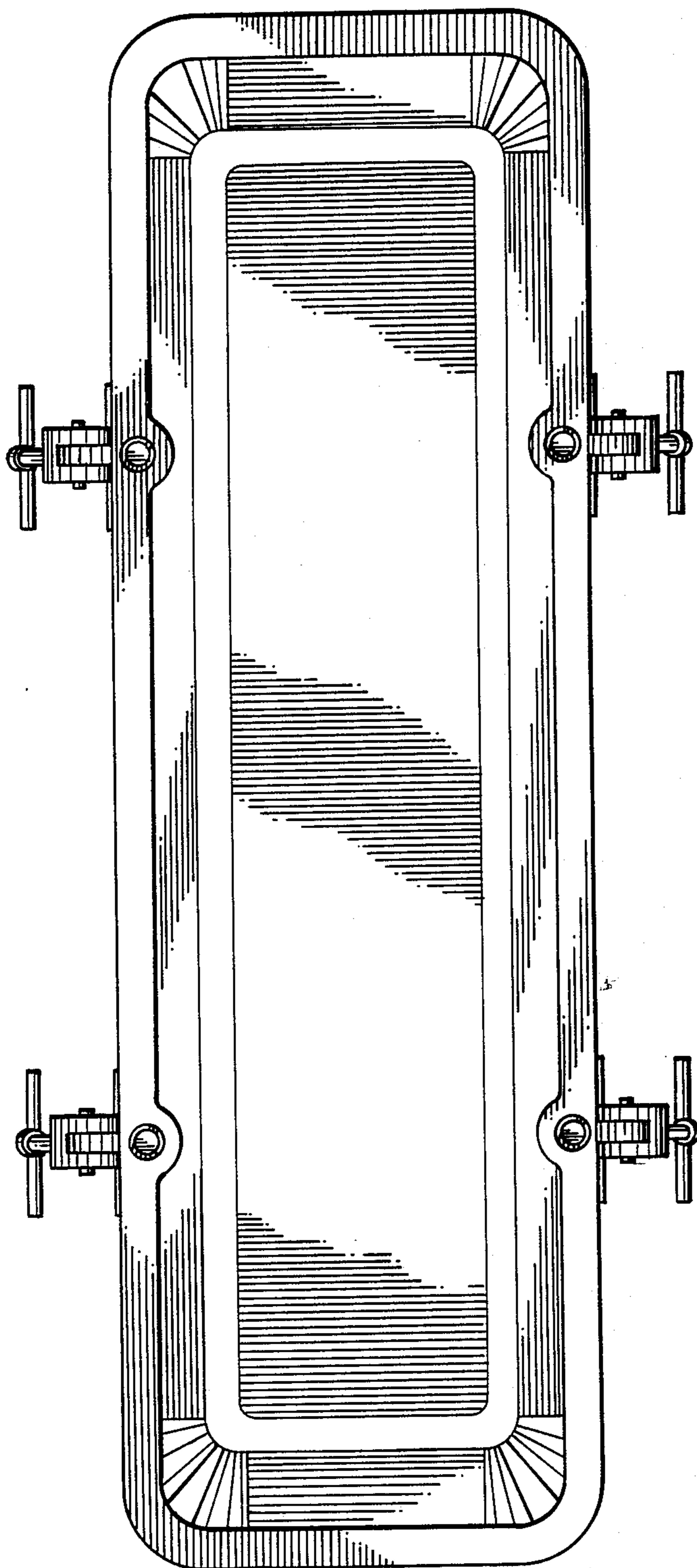


FIG. 3

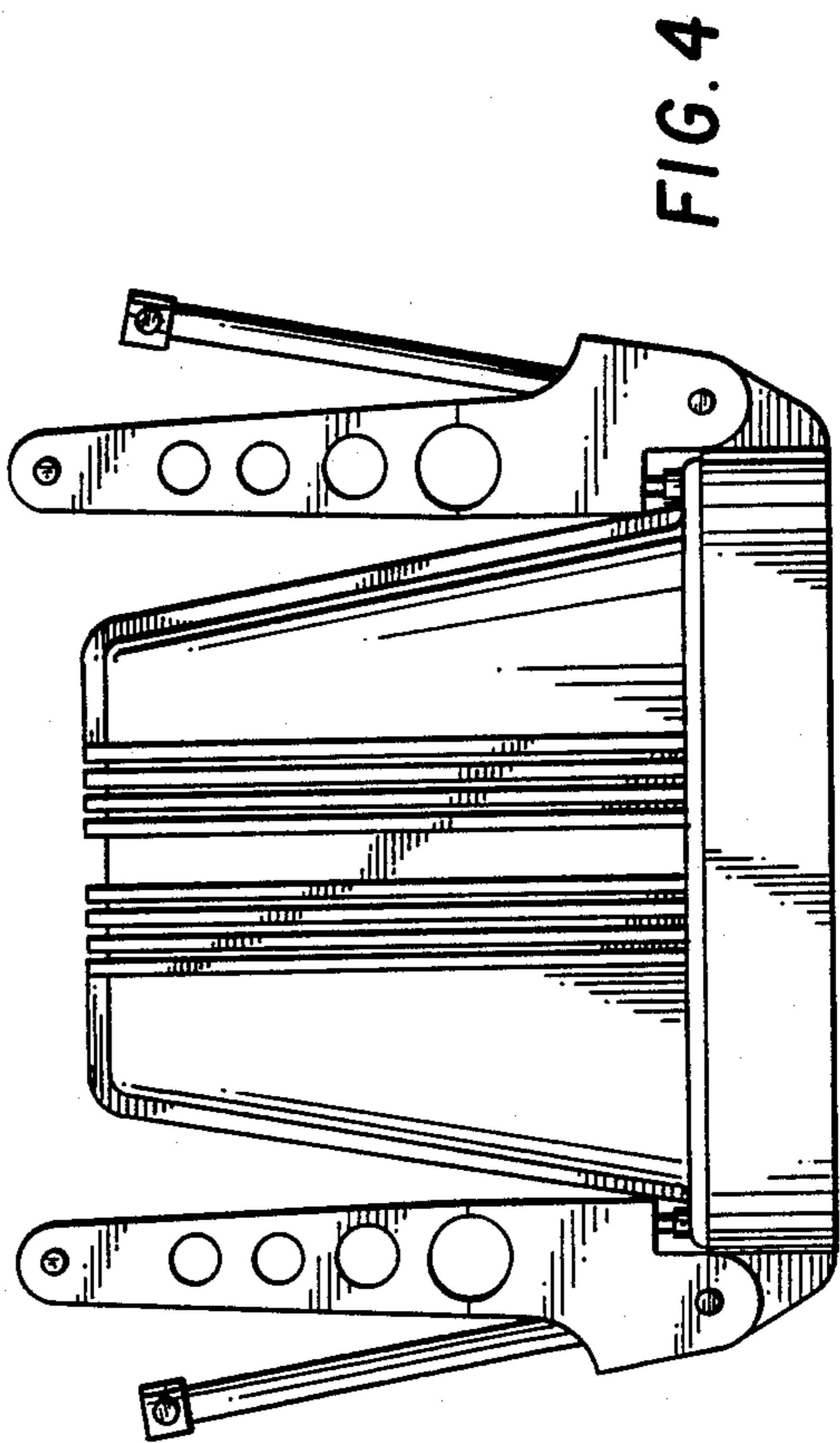


FIG. 4

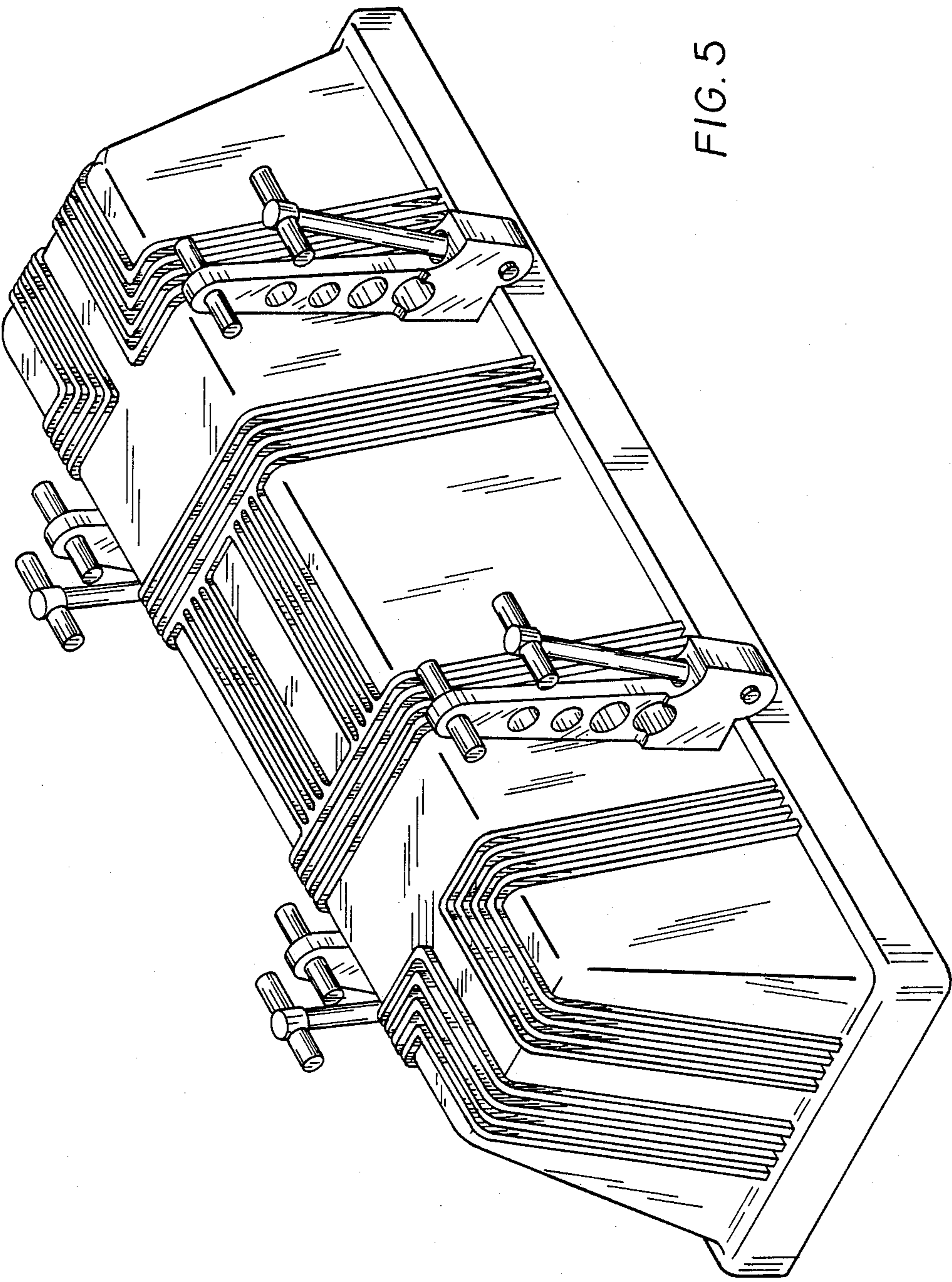


FIG. 5