

[54] FRONT PANEL FOR A DATA RECORDER

[75] Inventor: Steven L. Swartz, Franklin County, Pa.

[73] Assignee: Pulse Electronics, Inc., Rockville, Md.

[\*\*] Term: 14 Years

[21] Appl. No.: 909,075

[22] Filed: Sep. 18, 1986

[52] U.S. Cl. .... D14/257; D14/299

[58] Field of Search ..... D14/124, 125, 157, 159, D14/172, 194, 204, 217, 224, 257, 258, 260, 265, 299; D13/12, 35, 40, 41, 99; 346/33 D

[56] References Cited

U.S. PATENT DOCUMENTS

D. 113,727 3/1939 Barrett ..... D14/265

D. 207,640 5/1967 Krechman ..... D14/157  
D. 241,036 8/1976 Brown et al. .... D14/265 X  
D. 293,782 1/1988 Weisz et al. .... D14/260

Primary Examiner—B. J. Bullock  
Assistant Examiner—Theodore M. Shooman  
Attorney, Agent, or Firm—Whitham & Marhoefer

[57] CLAIM

The ornamental design for a front panel for a data recorder, as shown and described.

DESCRIPTION

FIG. 1 is a top, front and right side perspective view of a front panel for a data recorder showing my new design;  
FIG. 2 is a front elevational view thereof;  
FIG. 3 is a left side elevational view thereof;  
FIG. 4 is a top plan view thereof; and  
FIG. 5 is a bottom plan view thereof.

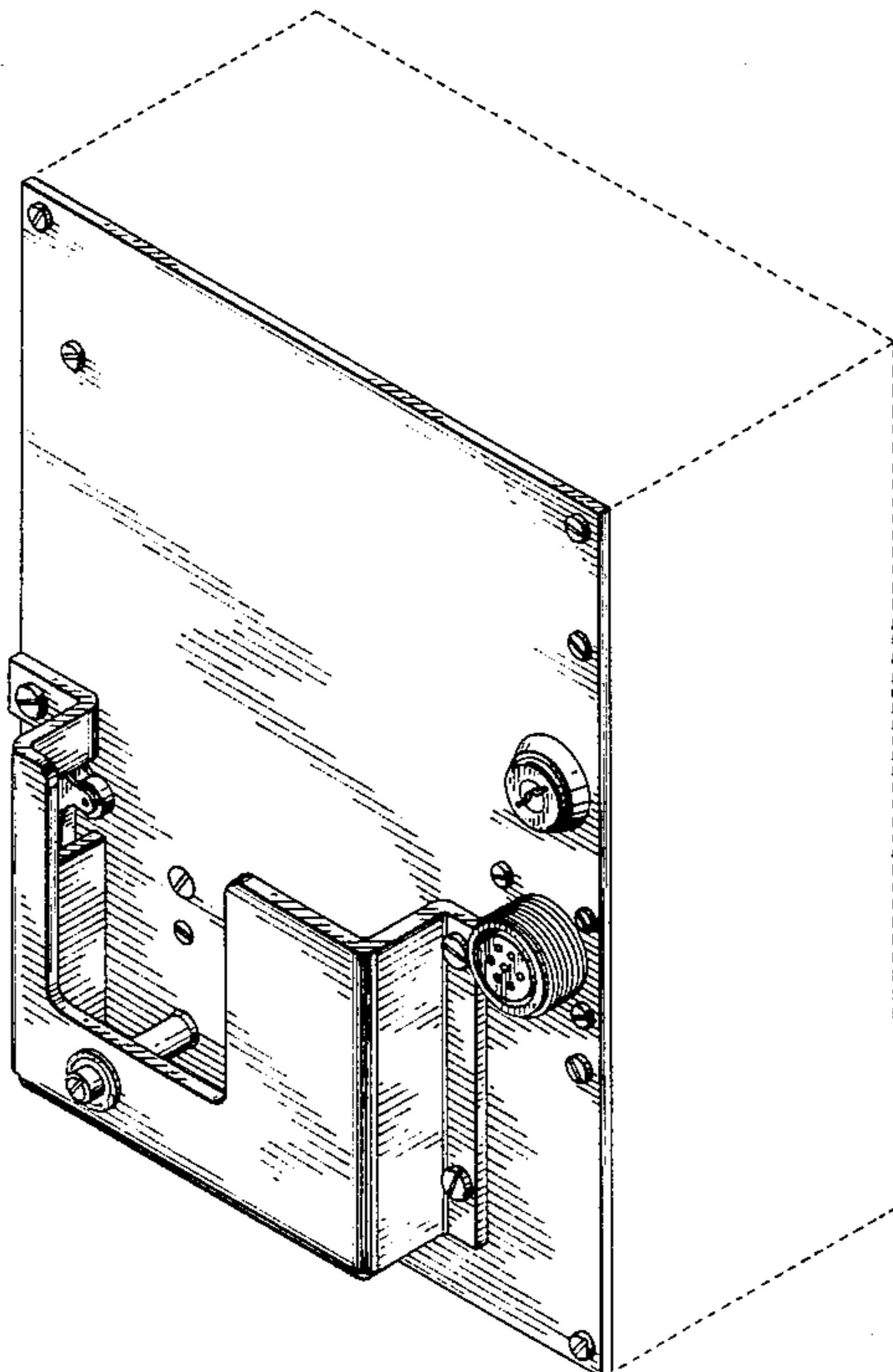


FIG. 1

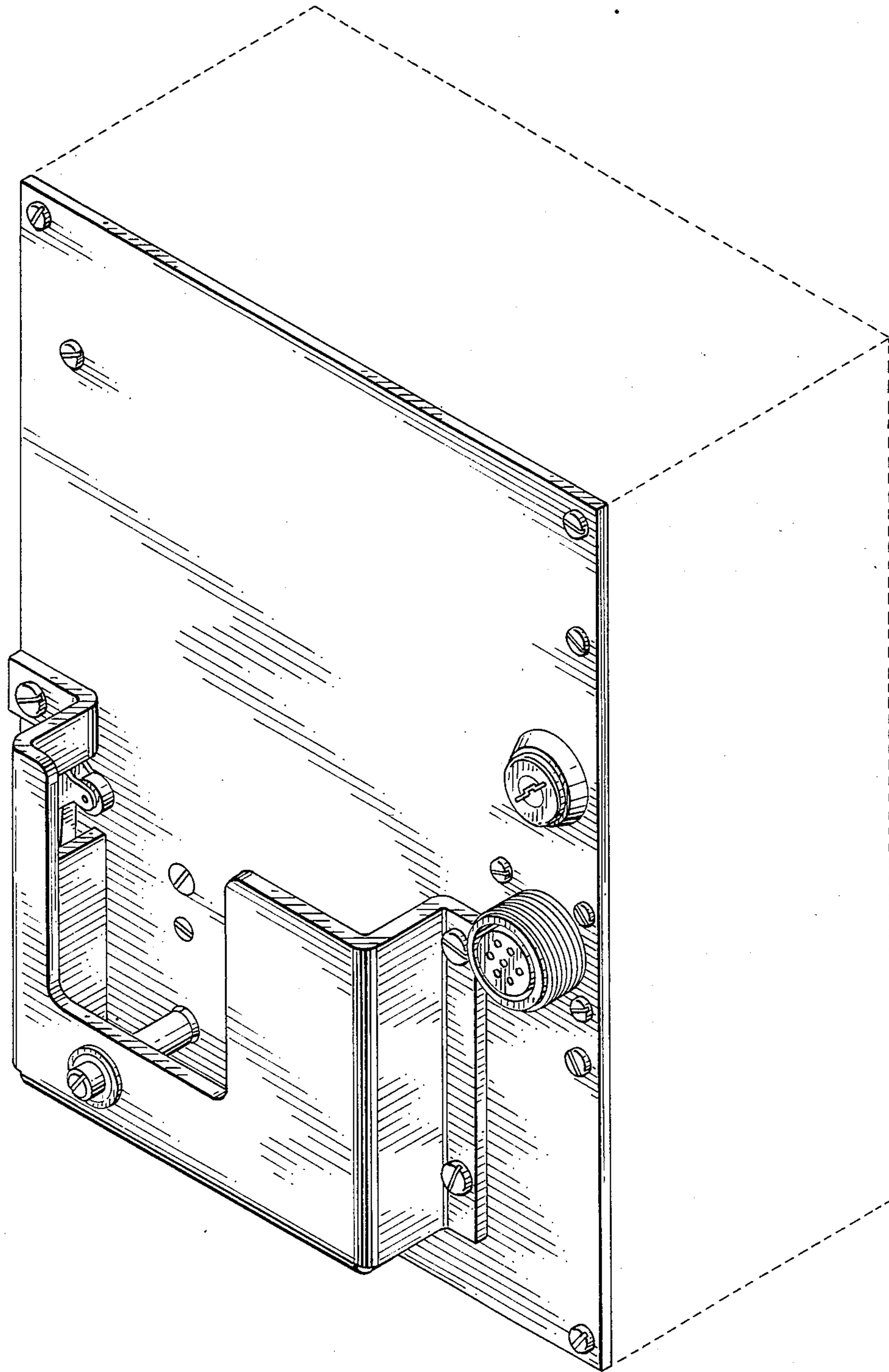


FIG. 2

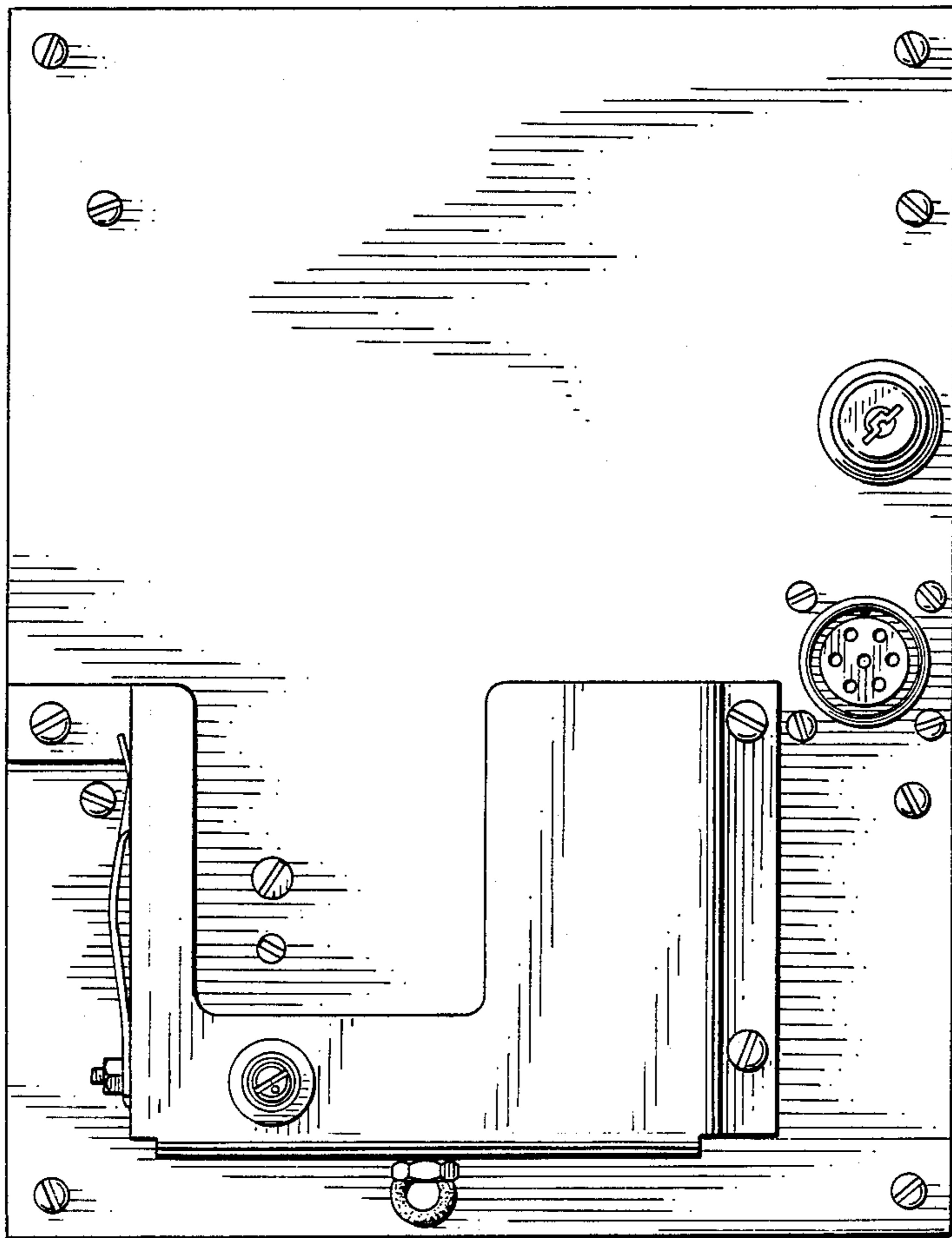


FIG. 3

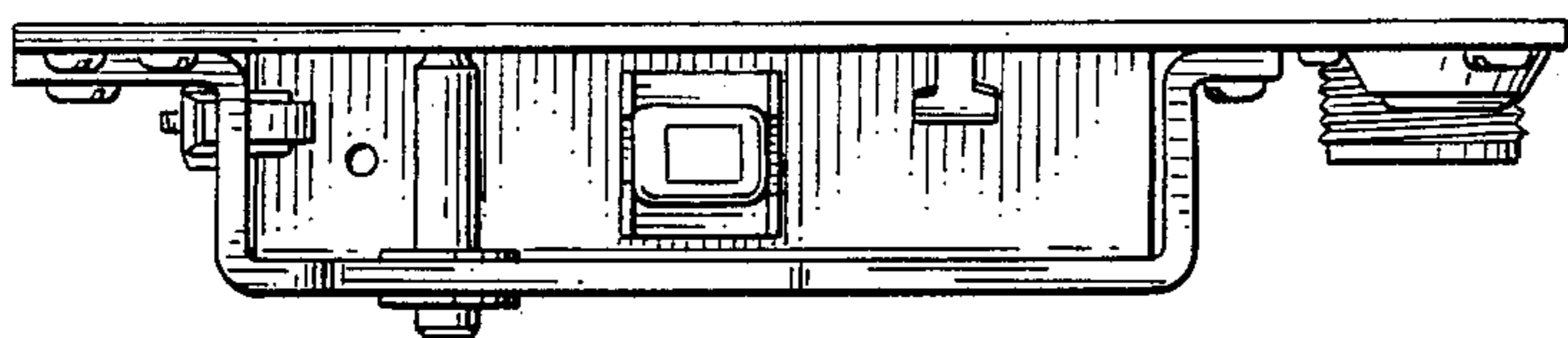
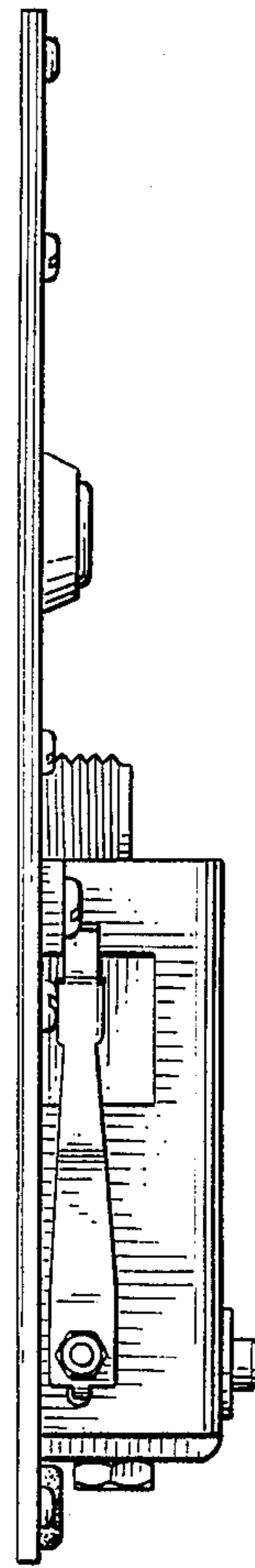


FIG. 4



FIG. 5