

[54] CASSETTE HOLDER FOR USE IN A COMPUTER

[75] Inventors: Toru Masuda, Higashi-Osaka; Norio Ichitsubo, Yao, both of Japan

[73] Assignee: Hosiden Electronics Co., Ltd., Yao, Japan

[**] Term: 14 Years

[21] Appl. No.: 828,420

[22] Filed: Feb. 11, 1986

[30] Foreign Application Priority Data

Oct. 12, 1985 [JP] Japan 60-42779
[52] U.S. Cl. D14/114
[58] Field of Search D14/100, 107, 114; 361/386, 395, 399; 439/60, 61, 326, 631; D13/24; 365/52, 105

[56] References Cited

U.S. PATENT DOCUMENTS

Table with 4 columns: Patent Number, Date, Inventor, and Reference Code. Includes entries for Helton (439/61 X), Saito et al. (365/105 X), Joly et al. (439/61), Shimamura et al. (365/52), Masuda et al. (439/631), and Yukawa (361/399 X).

Primary Examiner—Susan J. Lucas
Attorney, Agent, or Firm—Jones, Tullar & Cooper

[57] CLAIM

The ornamental design for a cassette holder for use in a computer, as shown and described.

DESCRIPTION

FIG. 1 is a top, rear, and right side perspective view of a cassette holder for use in a computer showing our new design;
FIG. 2 is a front elevational view thereof;
FIG. 3 is a rear elevational view thereof;
FIG. 4 is a right side elevational view thereof;
FIG. 5 is a left side elevational view thereof;
FIG. 6 is a top plan view thereof;
FIG. 7 is a bottom plan view thereof;
FIG. 8 is a top, rear, and right side perspective view thereof, with the front of the holder being in the open position to receive the cassette;
FIG. 9 is a front elevational view thereof in the open position shown in FIG. 8;
FIG. 10 is a rear elevational view thereof in the open position shown in FIG. 8;
FIG. 11 is a right side elevational view thereof in the open position shown in FIG. 8;
FIG. 12 is a left side elevational view thereof in the open position shown in FIG. 8;
FIG. 13 is a top plan view thereof in the open position shown in FIG. 8;
FIG. 14 is a bottom plan view thereof in the open position in FIG. 8; and
FIG. 15 is a top, front, and left side perspective view thereof in the open position to receive the cassette.

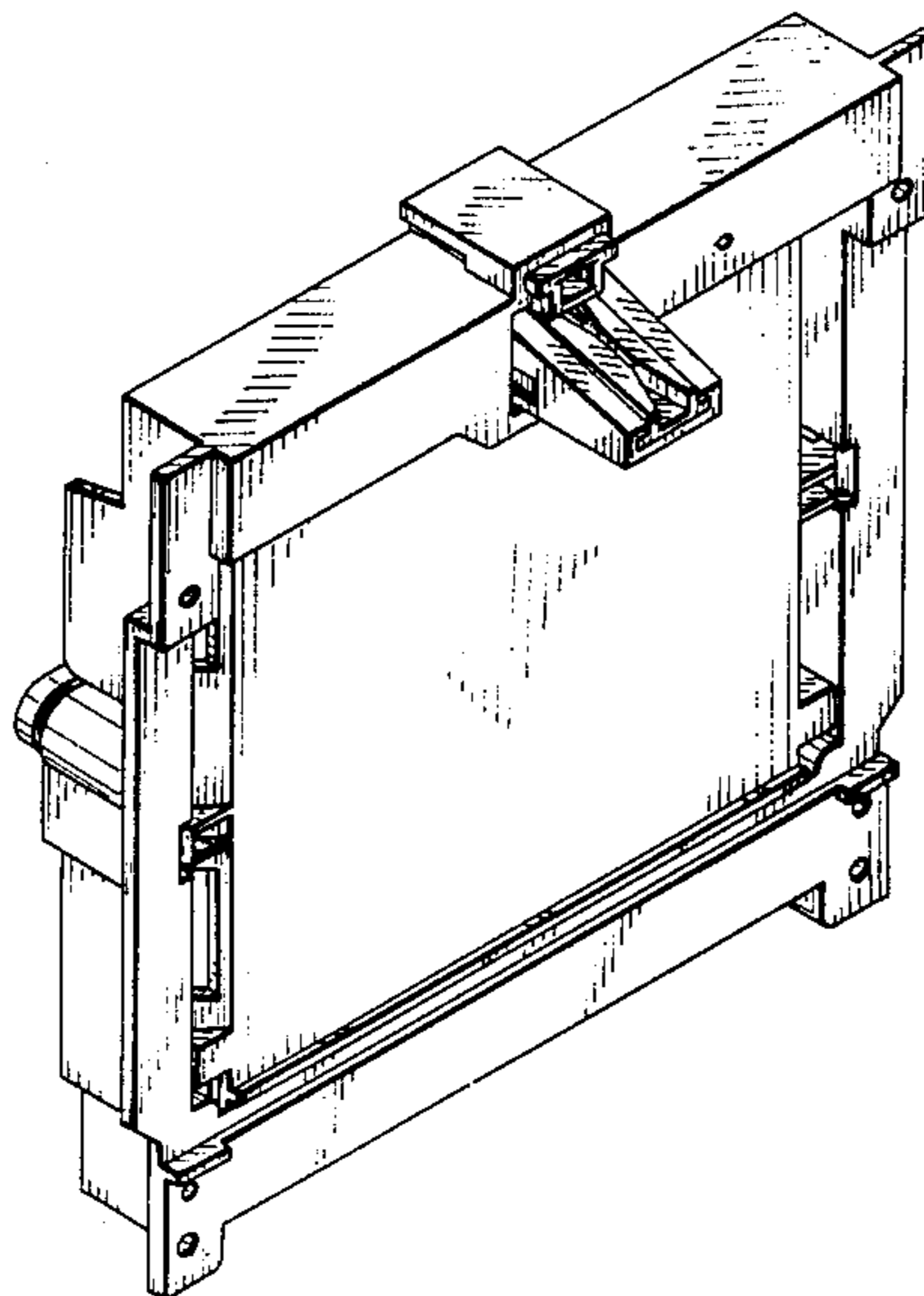


Fig. 1

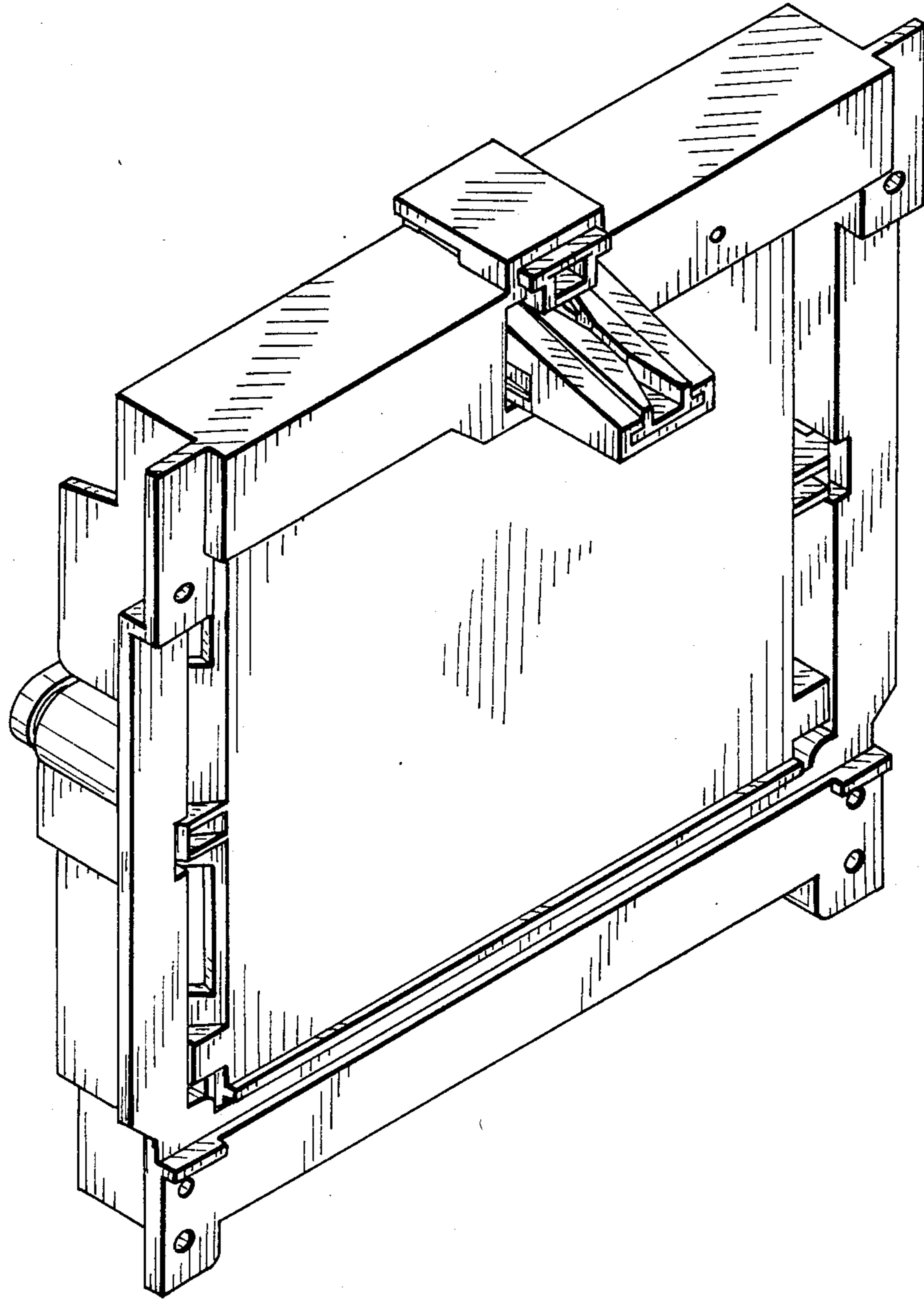


Fig. 2

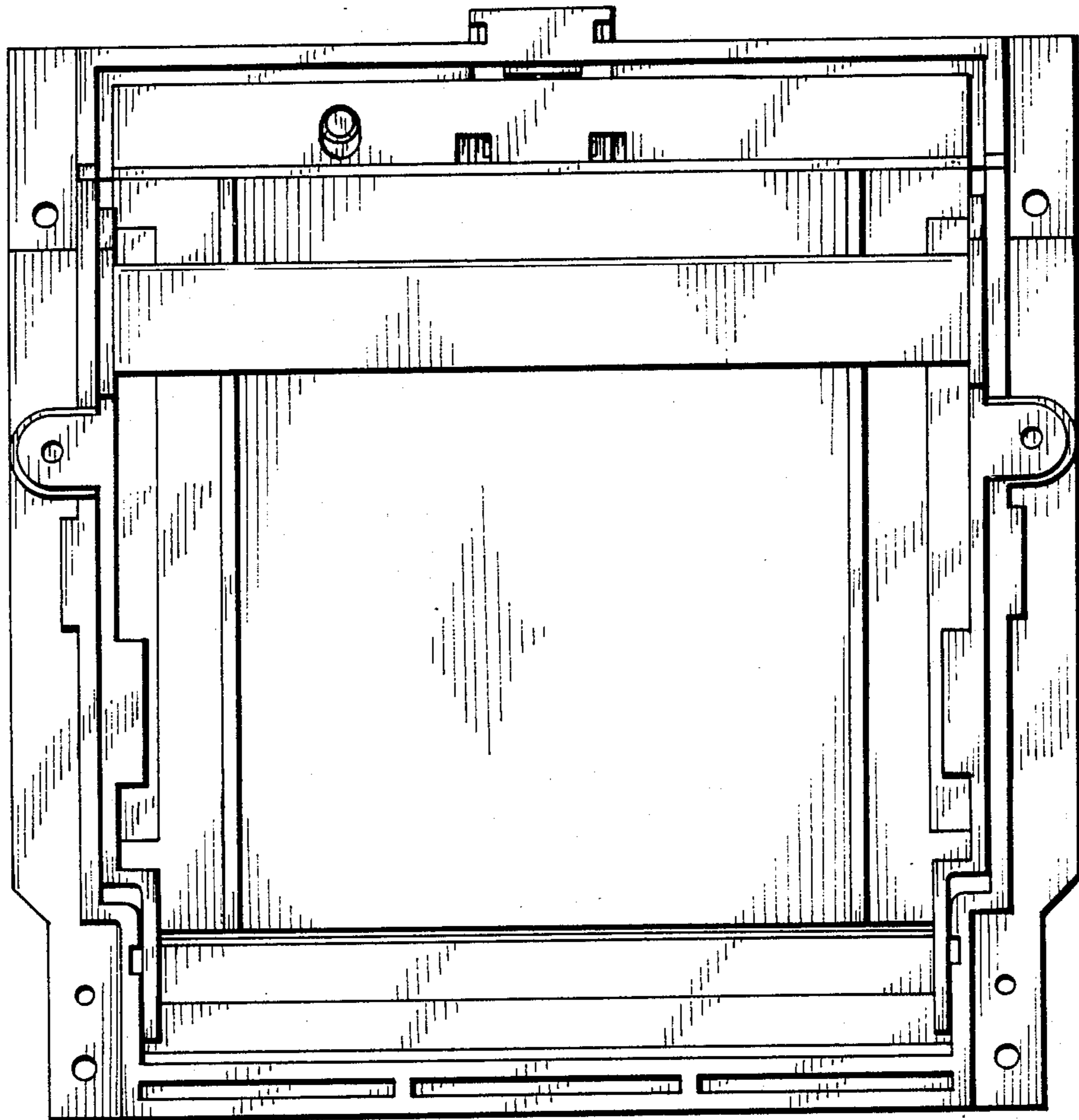


Fig. 3

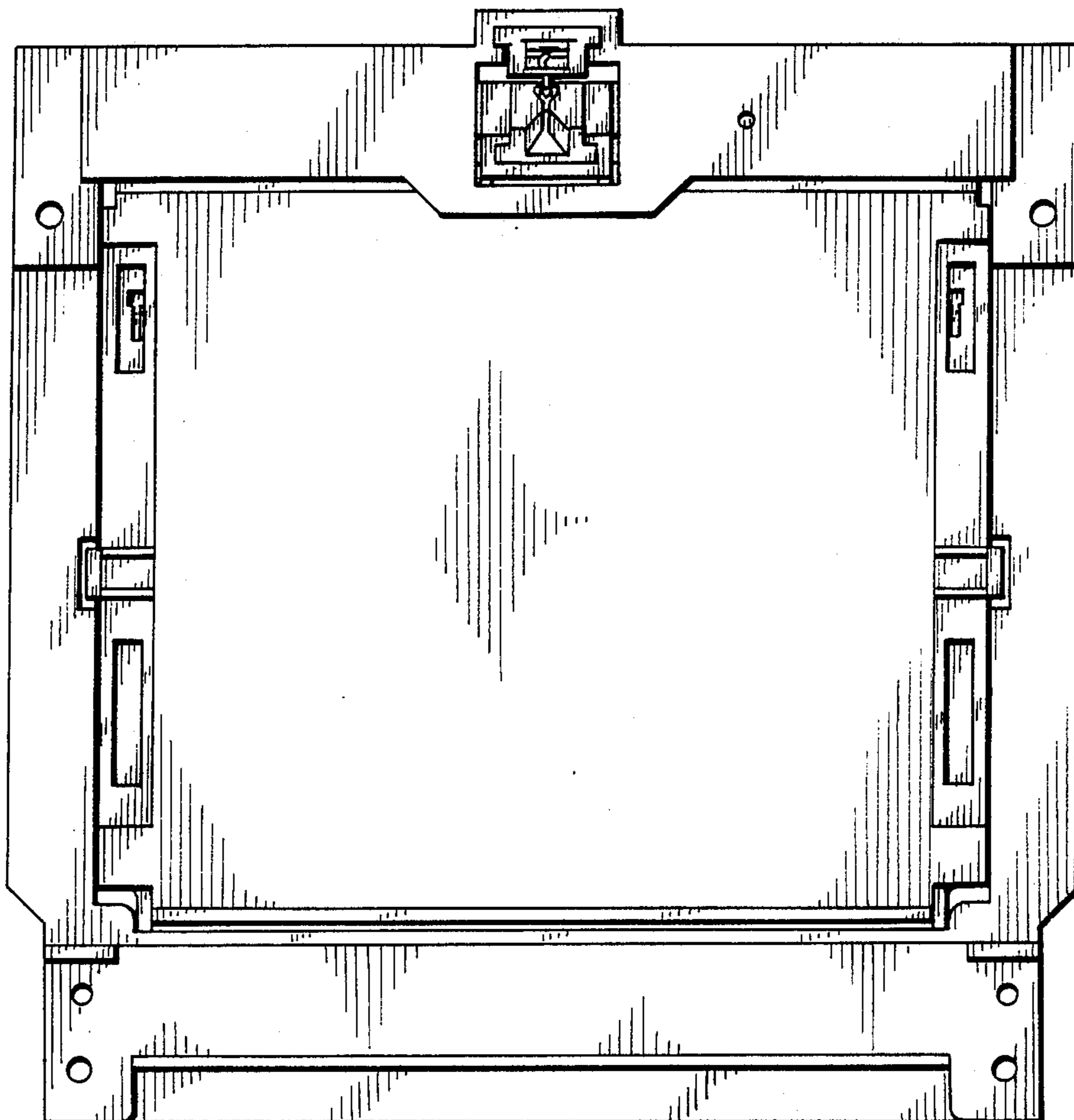


Fig. 6

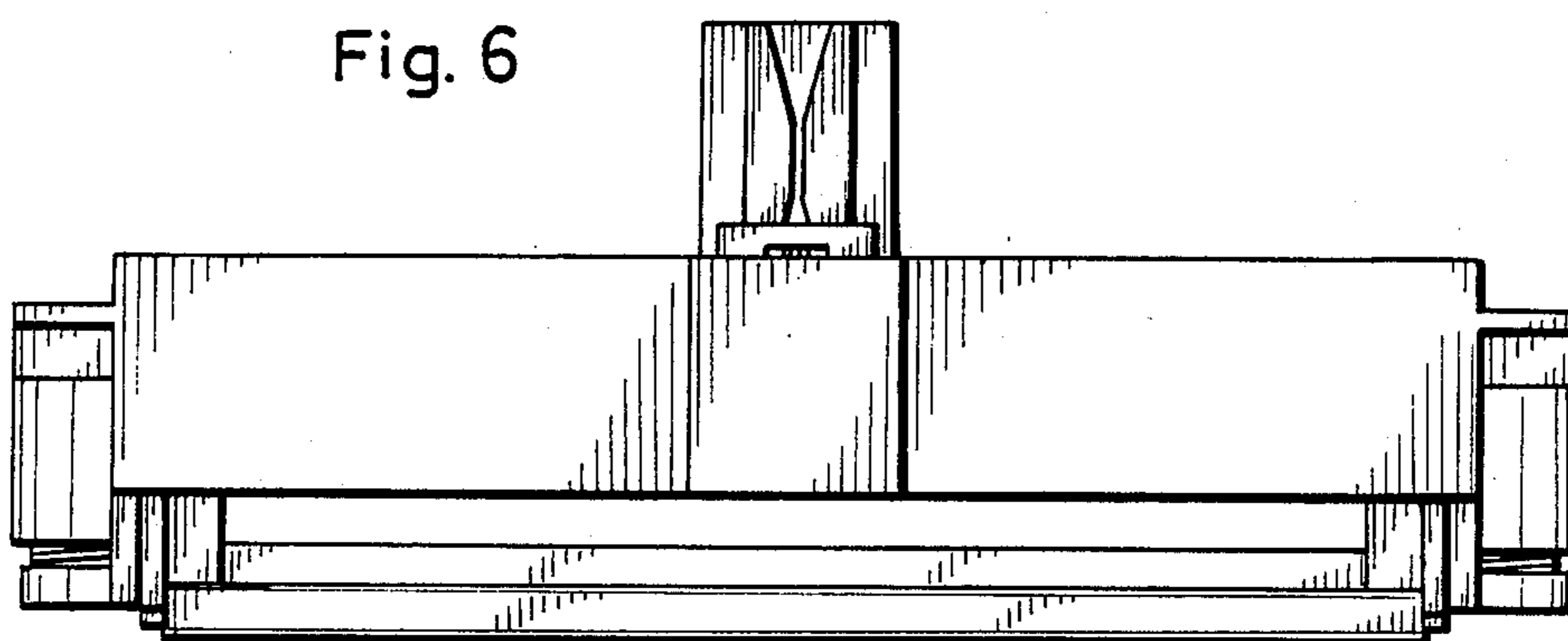


Fig. 4

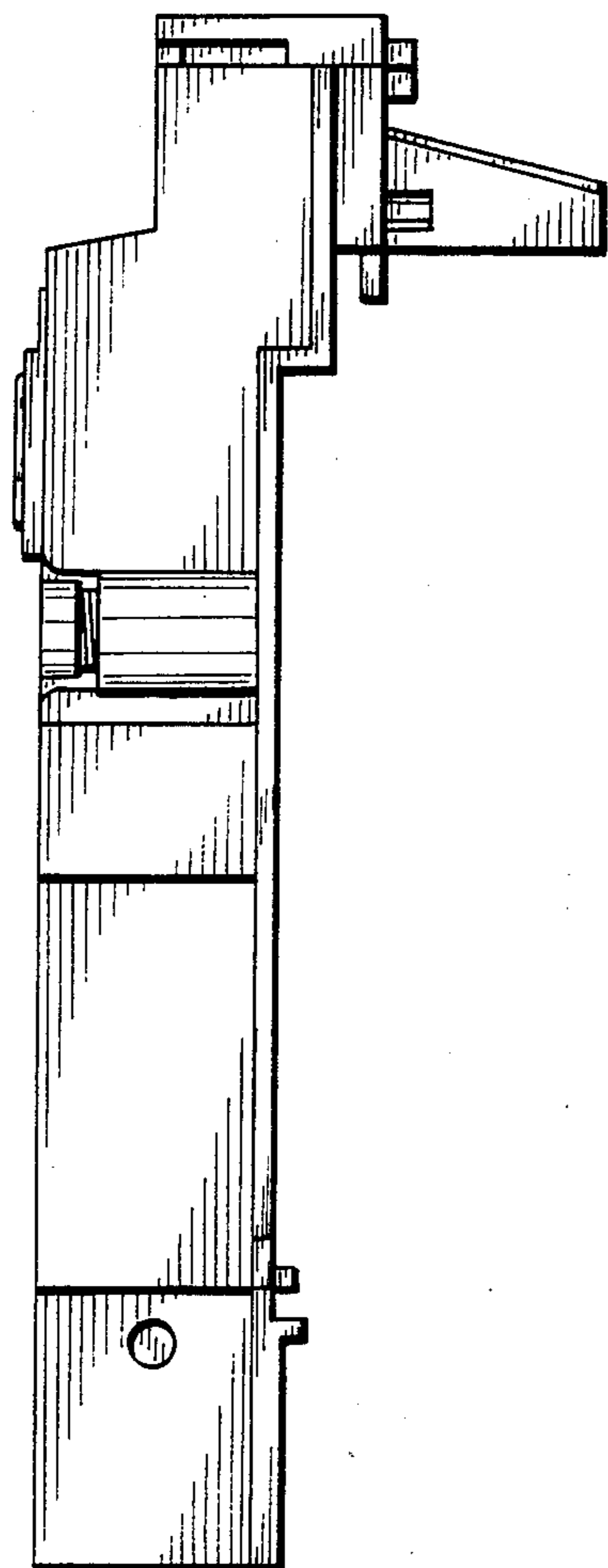


Fig. 5

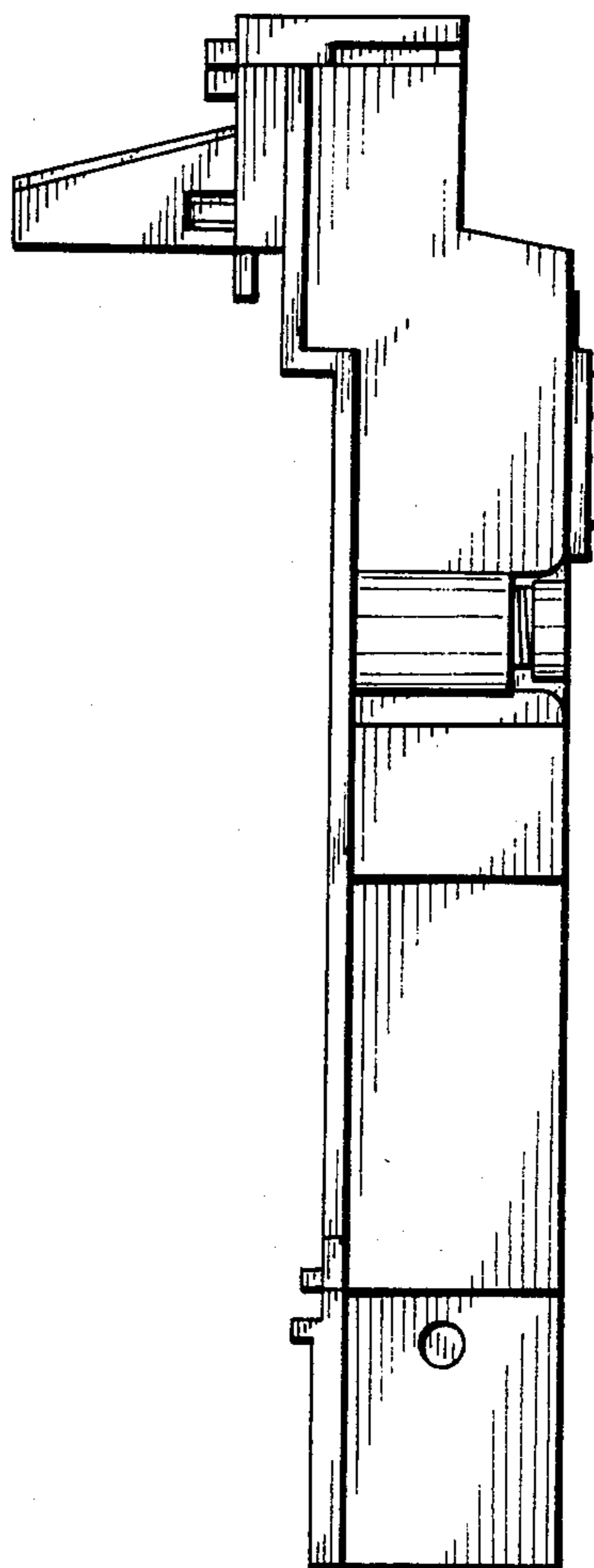


Fig. 7

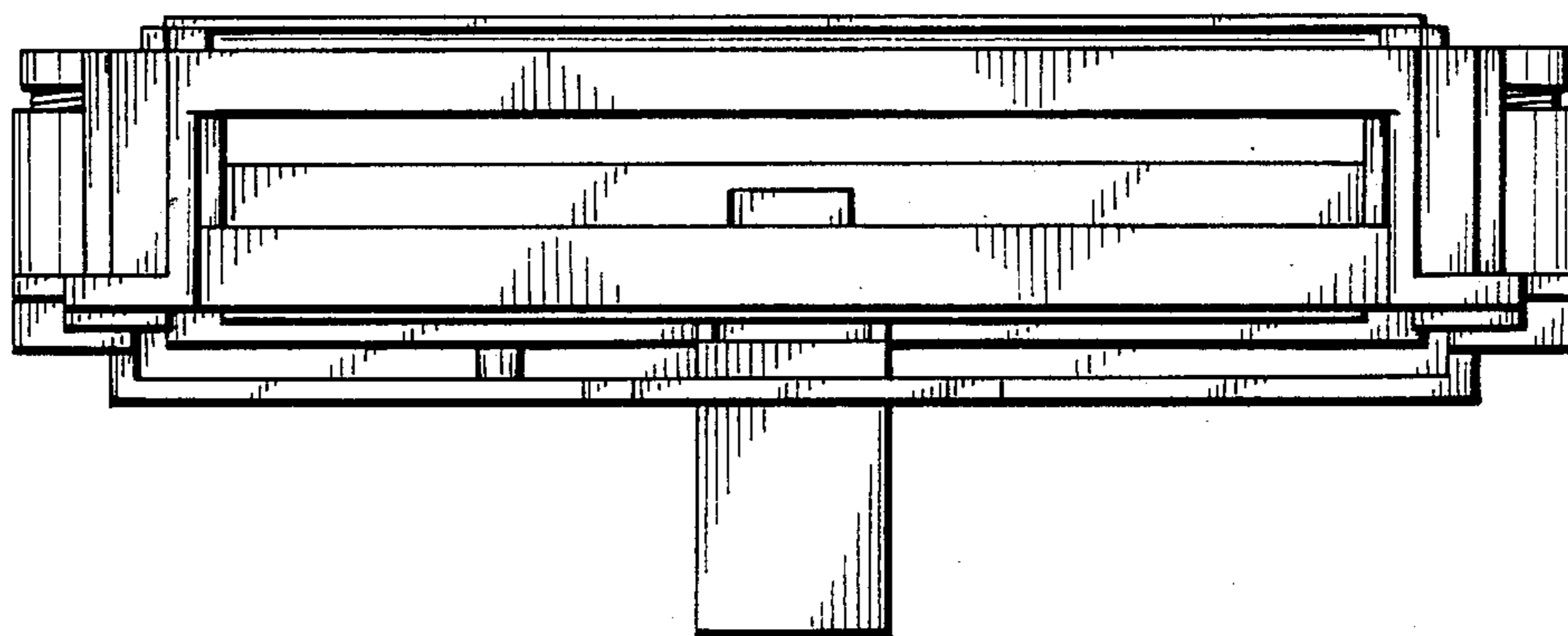


Fig. 8

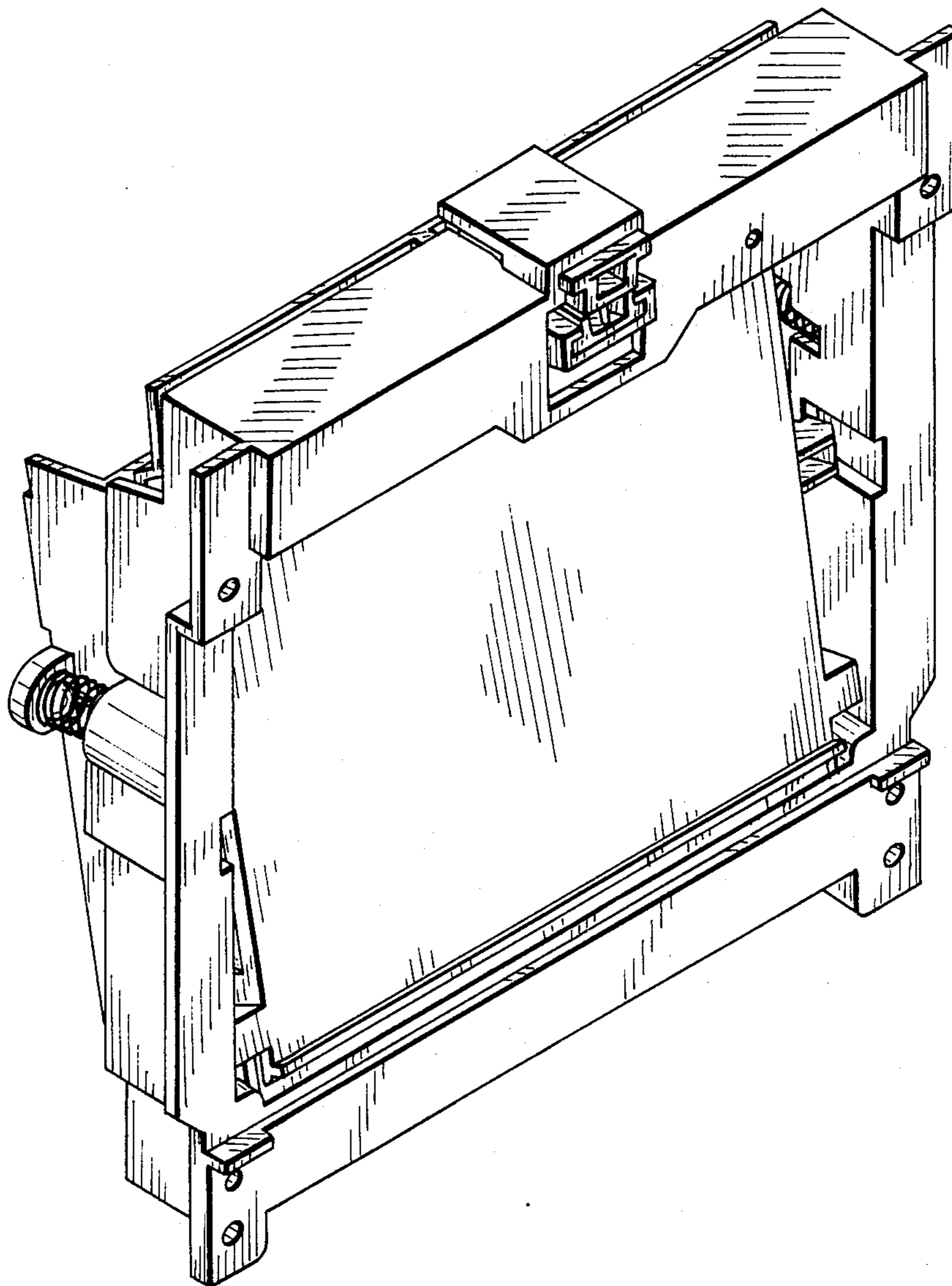


Fig. 9

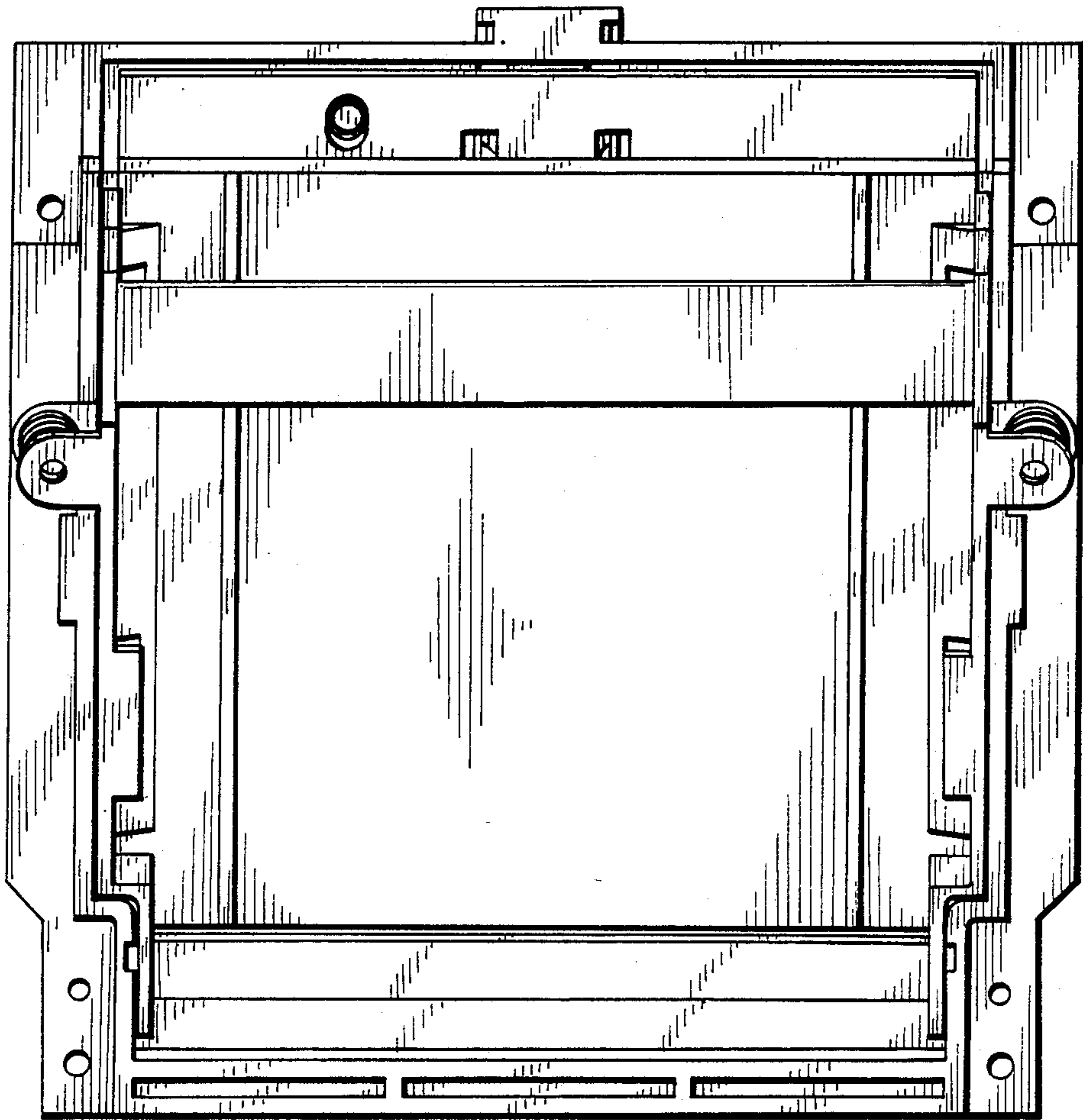


Fig. 10

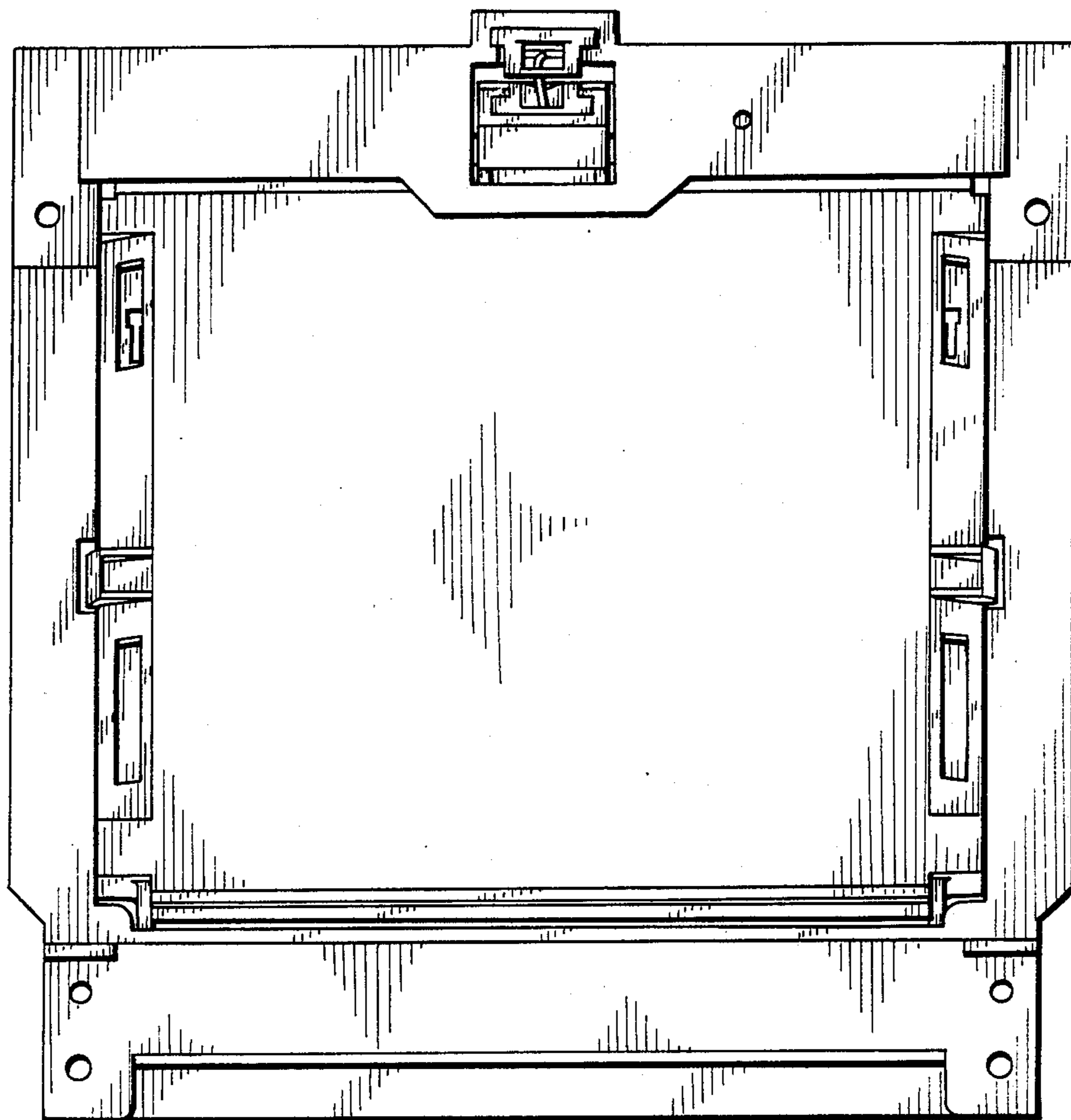


Fig. 13

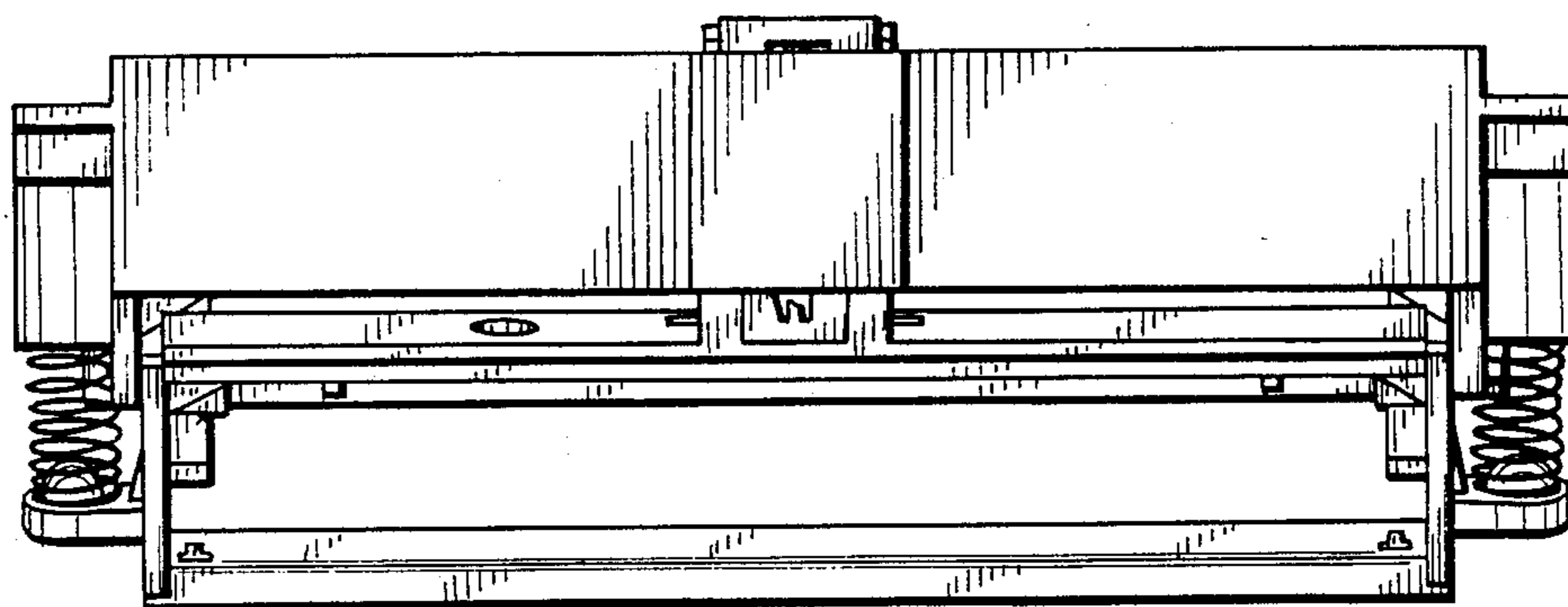


Fig. 11

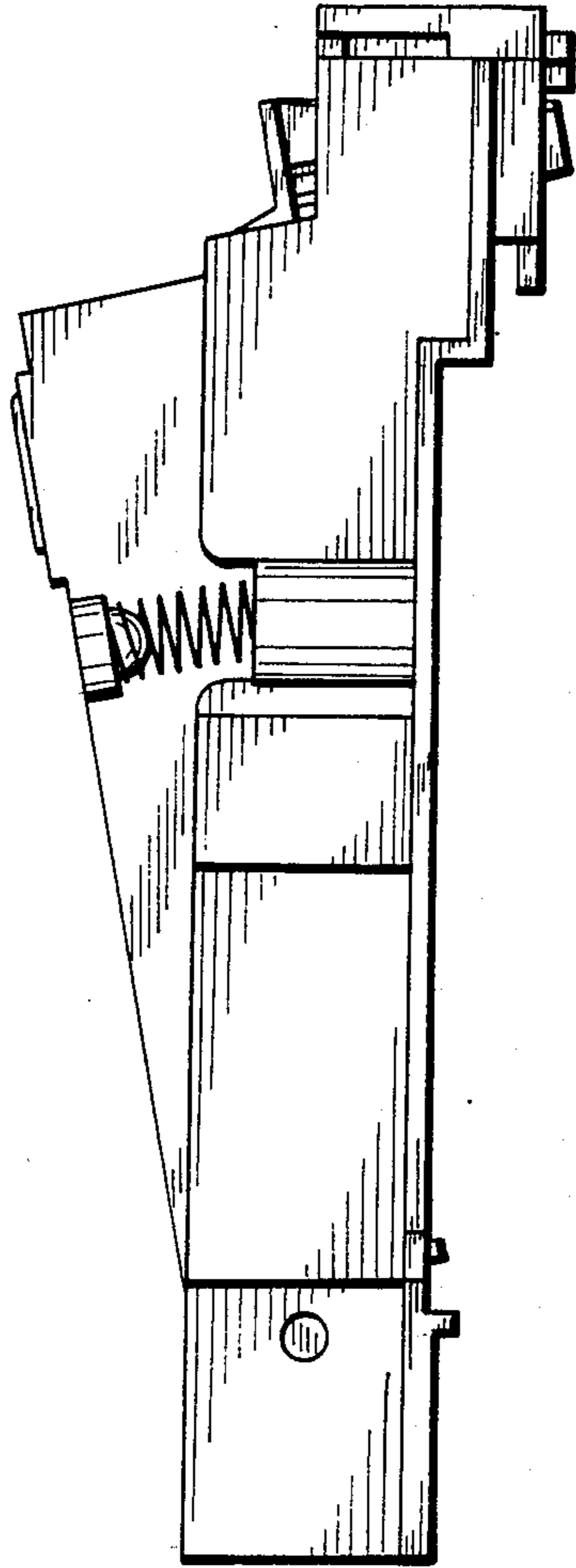


Fig. 12

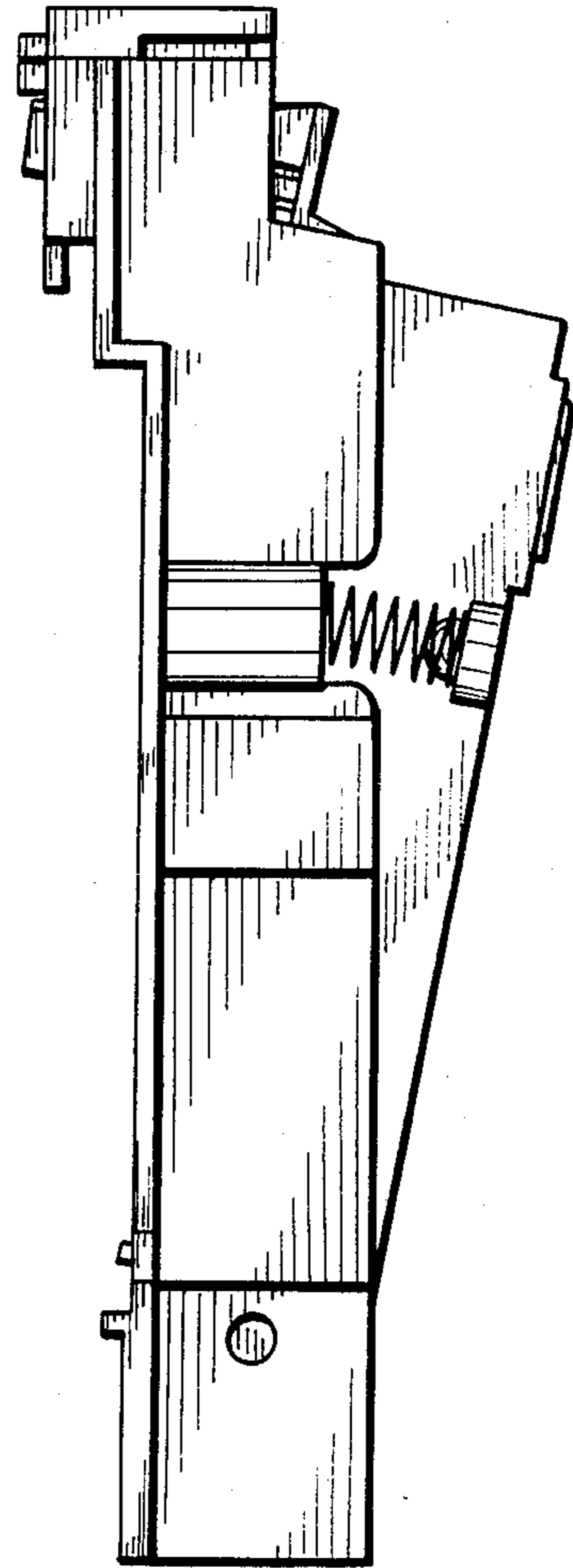


Fig. 14

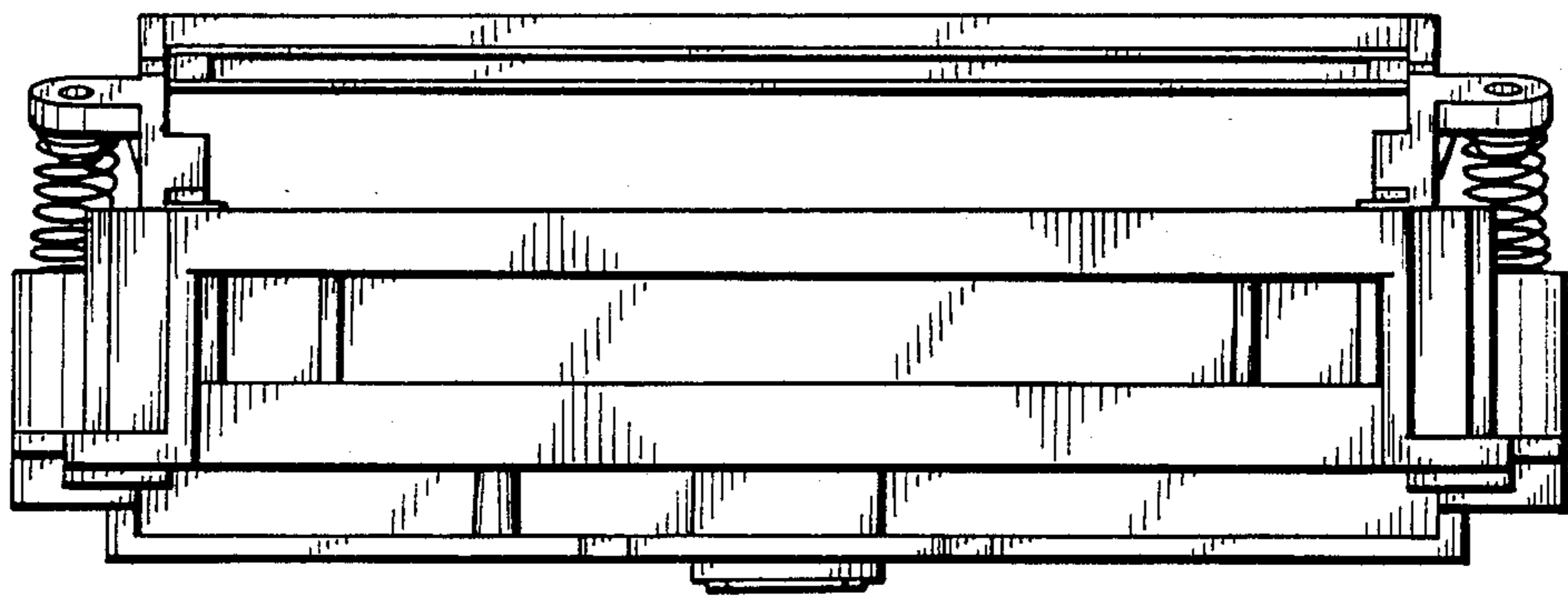


Fig.15

