

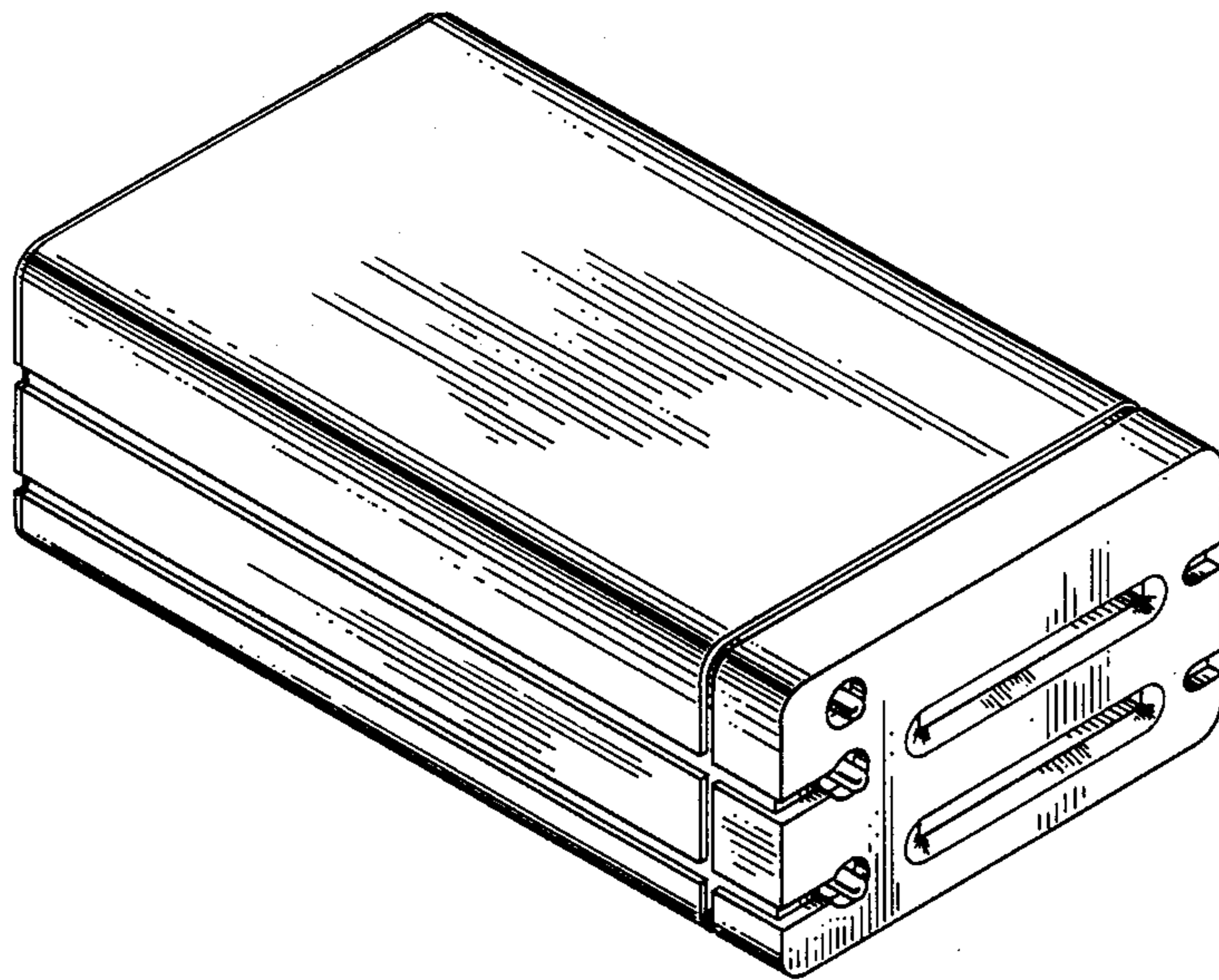
- [54] **DUAL INTEGRATED CIRCUIT CARD
READER/WRITER**
- [75] **Inventor: George Schmidt, Douglaston, N.Y.**
- [73] **Assignee: Personal Computer Card Corporation,
New York, N.Y.**
- [**] **Term: 14 Years**
- [21] **Appl. No.: 174,315**
- [22] **Filed: Mar. 25, 1988**
- [52] **U.S. Cl. D14/105; D14/107**
- [58] **Field of Search D14/100, 105, 107, 114,
D14/117, 109; D13/40; 235/379-382, 454, 455,
462-465, 470, 471, 479, 480; 483/487, 493, 441,
443; 361/331, 380, 390-395, 399; 369/106, 109,
275**

- [56] **References Cited**
U.S. PATENT DOCUMENTS
D. 286,050 10/1986 Roots et al. D14/109
D. 290,961 7/1987 Mendel D14/107
3,721,807 3/1973 Miller et al. 235/454 X
4,724,310 2/1988 Shimamura et al. 235/483

Primary Examiner—Susan J. Lucas
Assistant Examiner—Freda Selma-Nunn

[57] **CLAIM**
The ornamental design for dual integrated circuit card reader/writer, as shown.

DESCRIPTION
FIG. 1 is a top, front, left side isometric view of a dual integrated circuit card reader/writer showing my new design;
FIG. 2 is a front elevational view thereof;
FIG. 3 is a right side elevational view thereof;
FIG. 4 is a back elevational view thereof;
FIG. 5 is a left side elevational view thereof; and
FIG. 6 is a bottom plan view thereof.



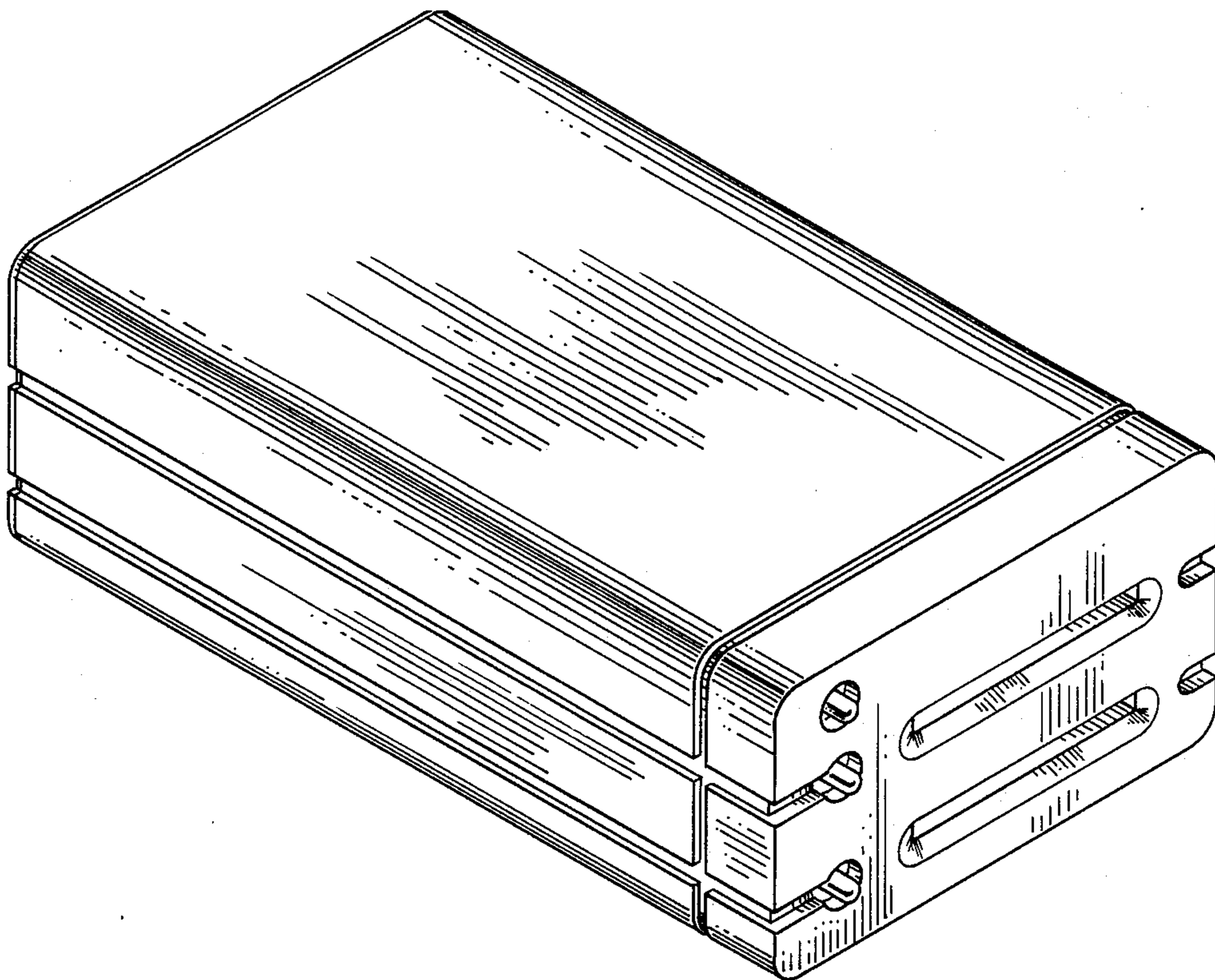


FIG. 1

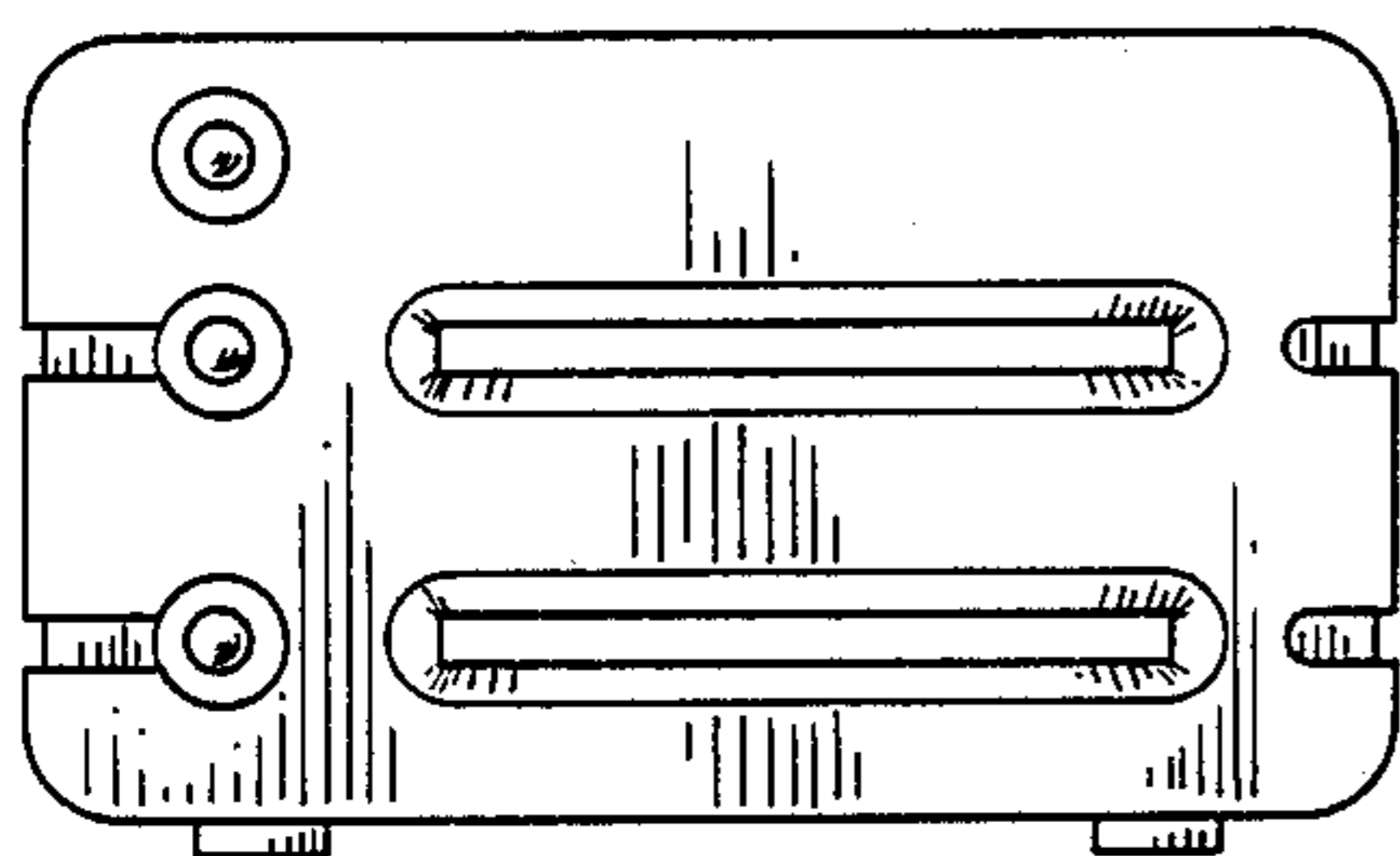


FIG. 2

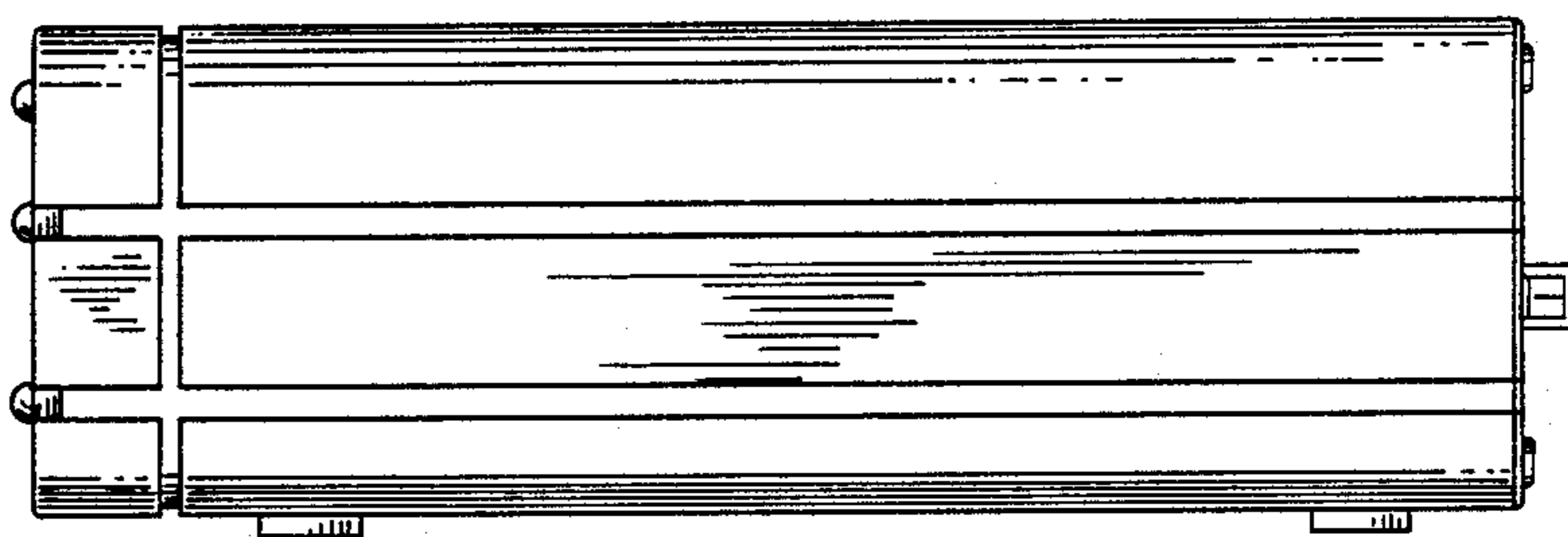


FIG. 3

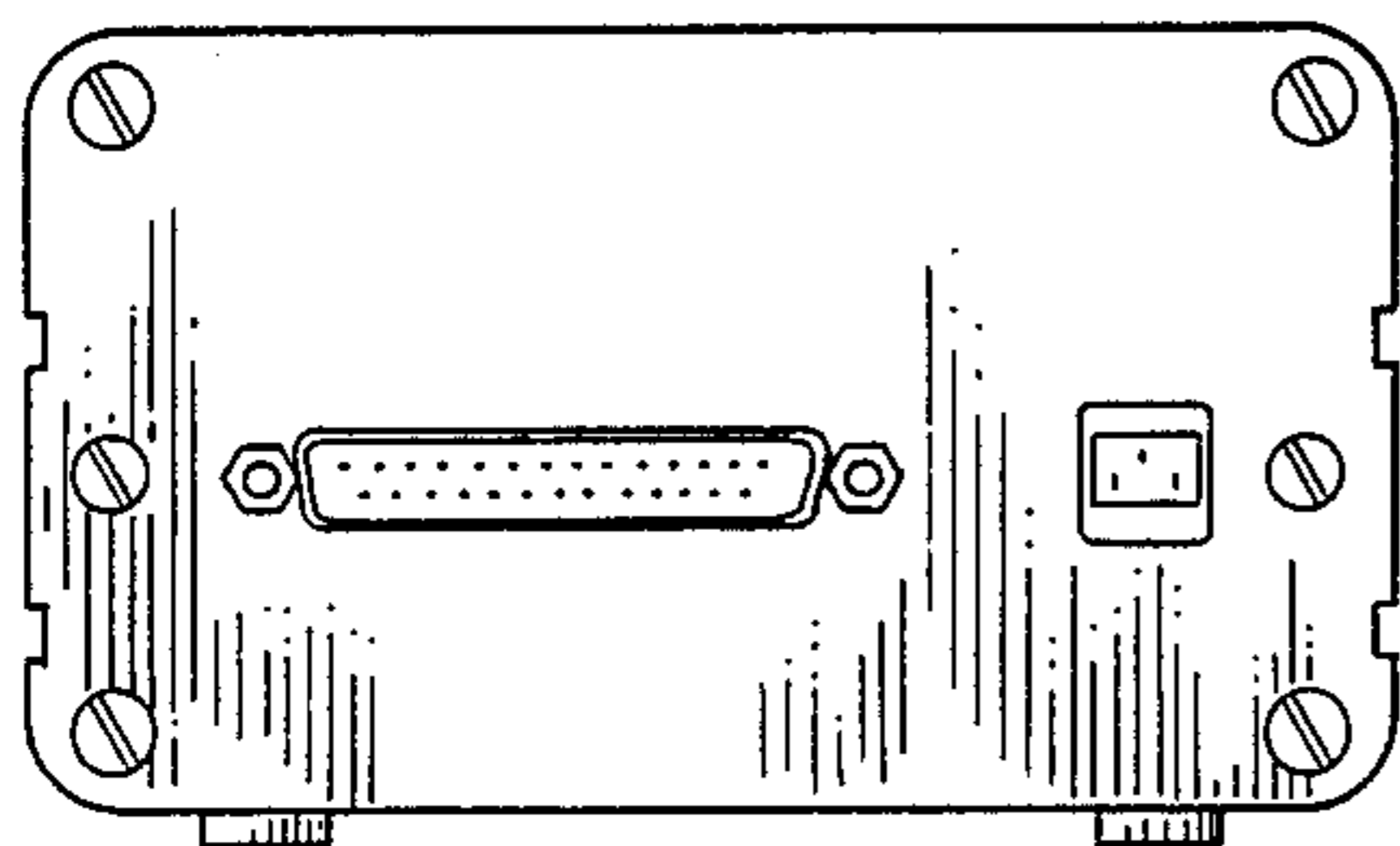


FIG. 4

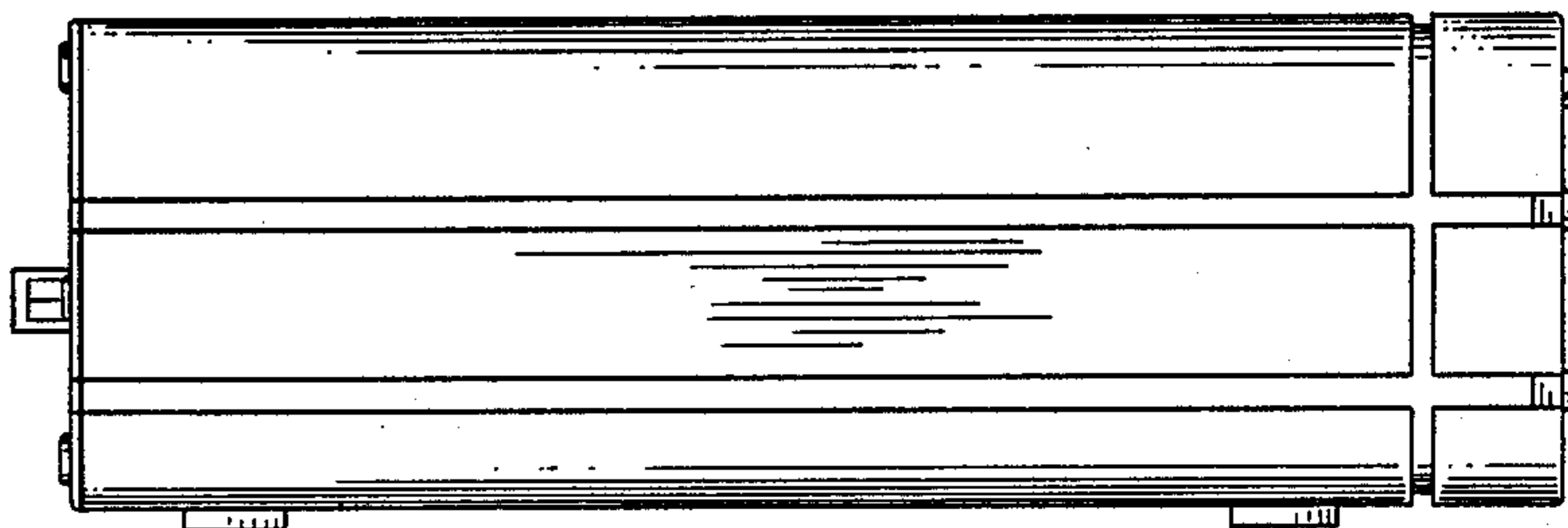


FIG. 5

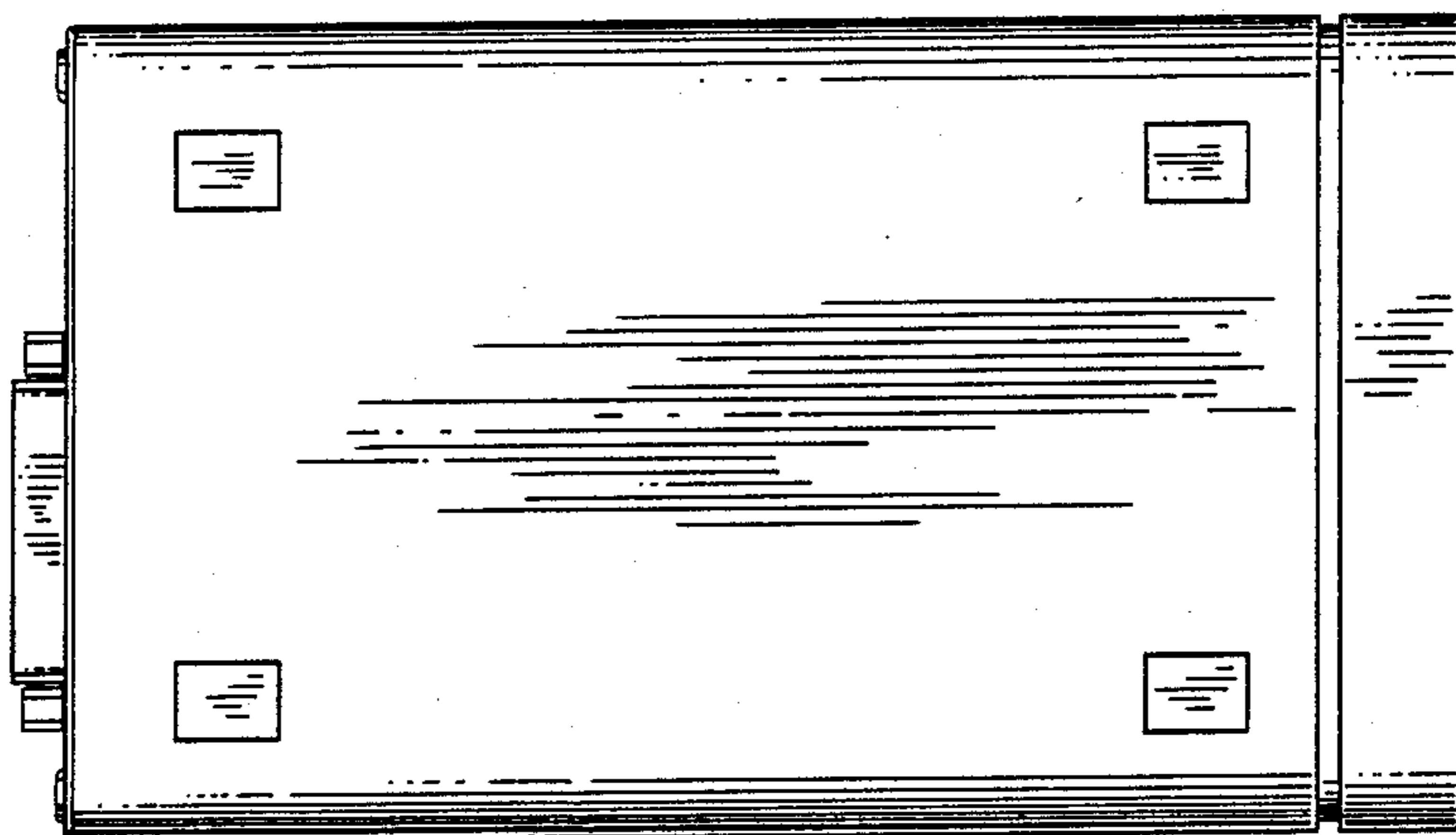


FIG. 6