

[54] **POWER INVERTER**

[75] **Inventors:** Nobuyuki Kondo; Yoshinori Abe, both of Kamakura; Hideaki Tata, Nagoya; Eiji Ito, Nagoya; Katsuhiko Chonan, Nagoya; Hideo Iinuma, Nagoya, all of Japan

[73] **Assignee:** Mitsubishi Denki Kabushiki Kaisha, Tokyo, Japan

[\*\*] **Term:** 14 Years

[21] **Appl. No.:** 260,902

[22] **Filed:** Oct. 21, 1988

**Related U.S. Application Data**

[62] Division of Ser. No. 740,323, Jun. 3, 1985, Pat. No. D. 299,334.

[30] **Foreign Application Priority Data**

Dec. 3, 1984 [JP]	Japan	59-49660
Dec. 3, 1984 [JP]	Japan	59-49662
Dec. 3, 1984 [JP]	Japan	59-49663
Dec. 3, 1984 [JP]	Japan	59-49664

[52] **U.S. Cl.** ..... **D13/4**

[58] **Field of Search** ..... D13/4, 11-12, D13/40-41, 99; 363/16, 37, 63, 71, 95, 177

[56] **References Cited**

**U.S. PATENT DOCUMENTS**

D. 148,332	1/1948	Scofield et al.	.....	D13/11
D. 225,013	10/1972	Stewart	.....	D13/40
D. 225,751	1/1973	Urquhart et al.	.....	D13/11
D. 226,011	1/1973	Urquhart et al.	.....	D13/11
D. 269,605	7/1983	Provanzano et al.	.....	D13/40

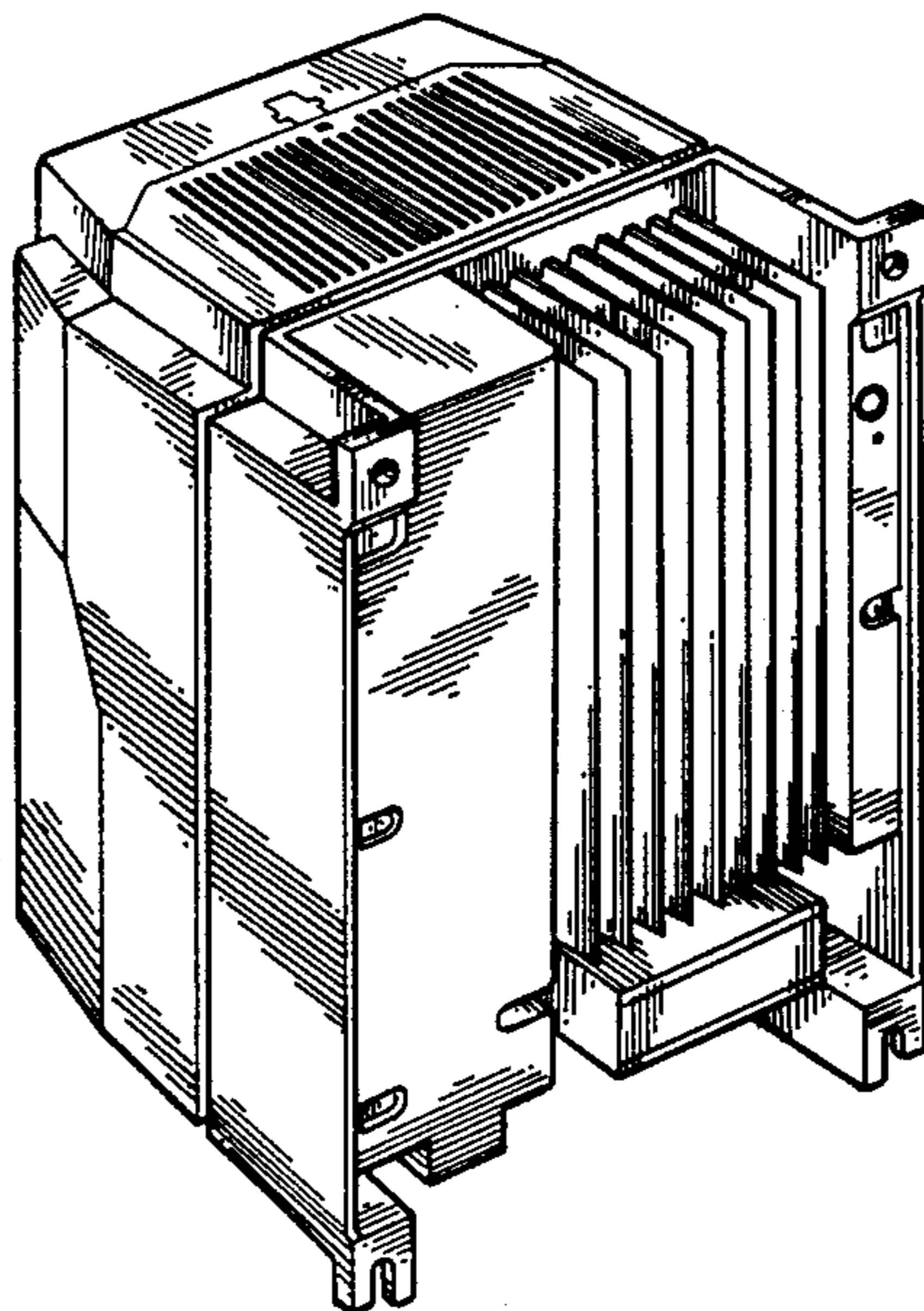
*Primary Examiner*—Bruce W. Dunkins  
*Assistant Examiner*—Ruth Takemoto  
*Attorney, Agent, or Firm*—Oblon, Spivak, McClelland, Maier & Neustadt

[57] **CLAIM**

The ornamental design for a power inverter, as shown.

**DESCRIPTION**

FIG. 1 is a top plan view of a power inverter showing our new design;  
FIG. 2 is a front elevational view thereof;  
FIG. 3 is a right side elevational view thereof;  
FIG. 4 is a bottom plan view thereof;  
FIG. 5 is a rear elevational view thereof;  
FIG. 6 is a left side elevational view thereof;  
FIG. 7 is a perspective view thereof as seen from the top, rear and one side.



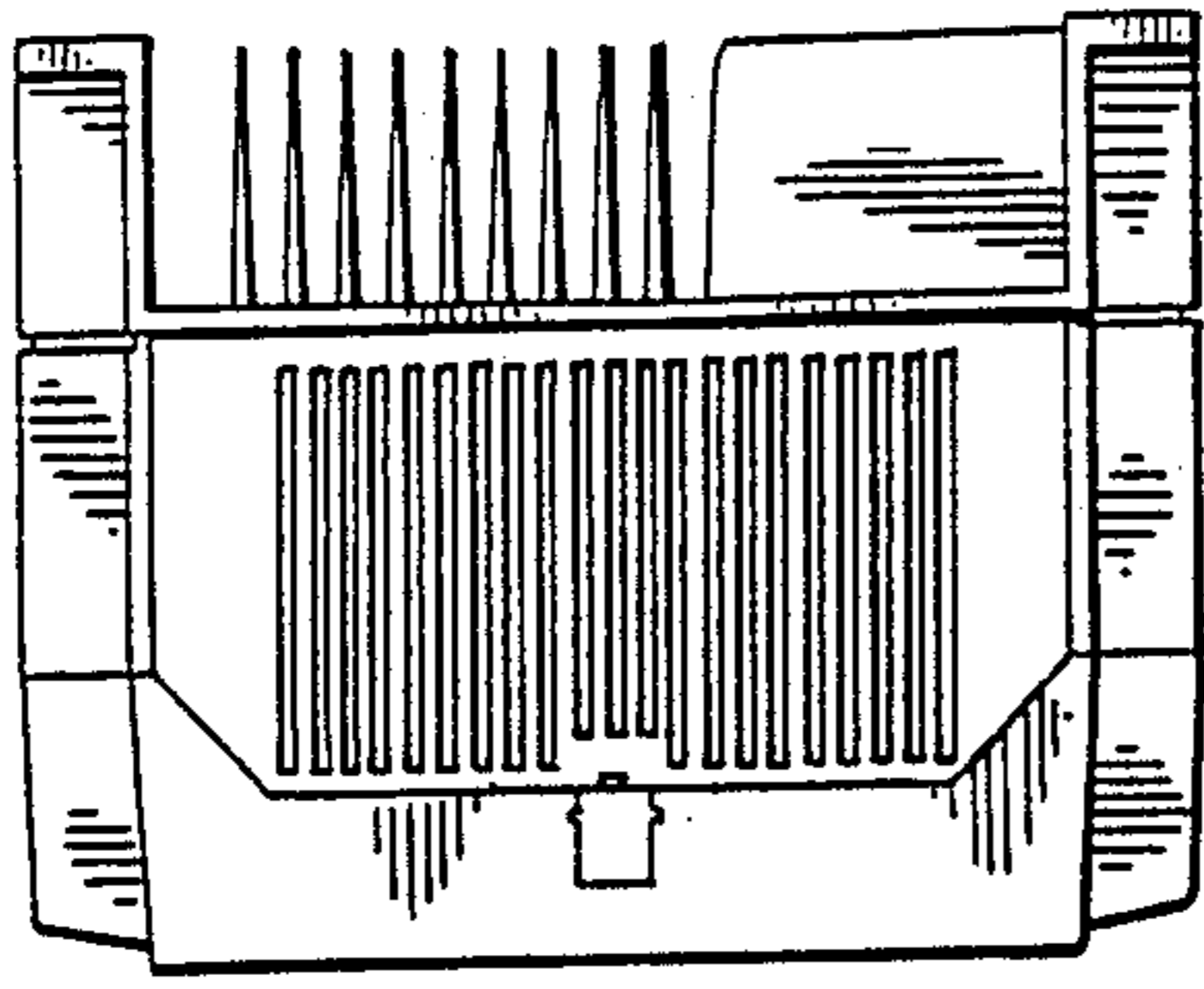


FIG. 1

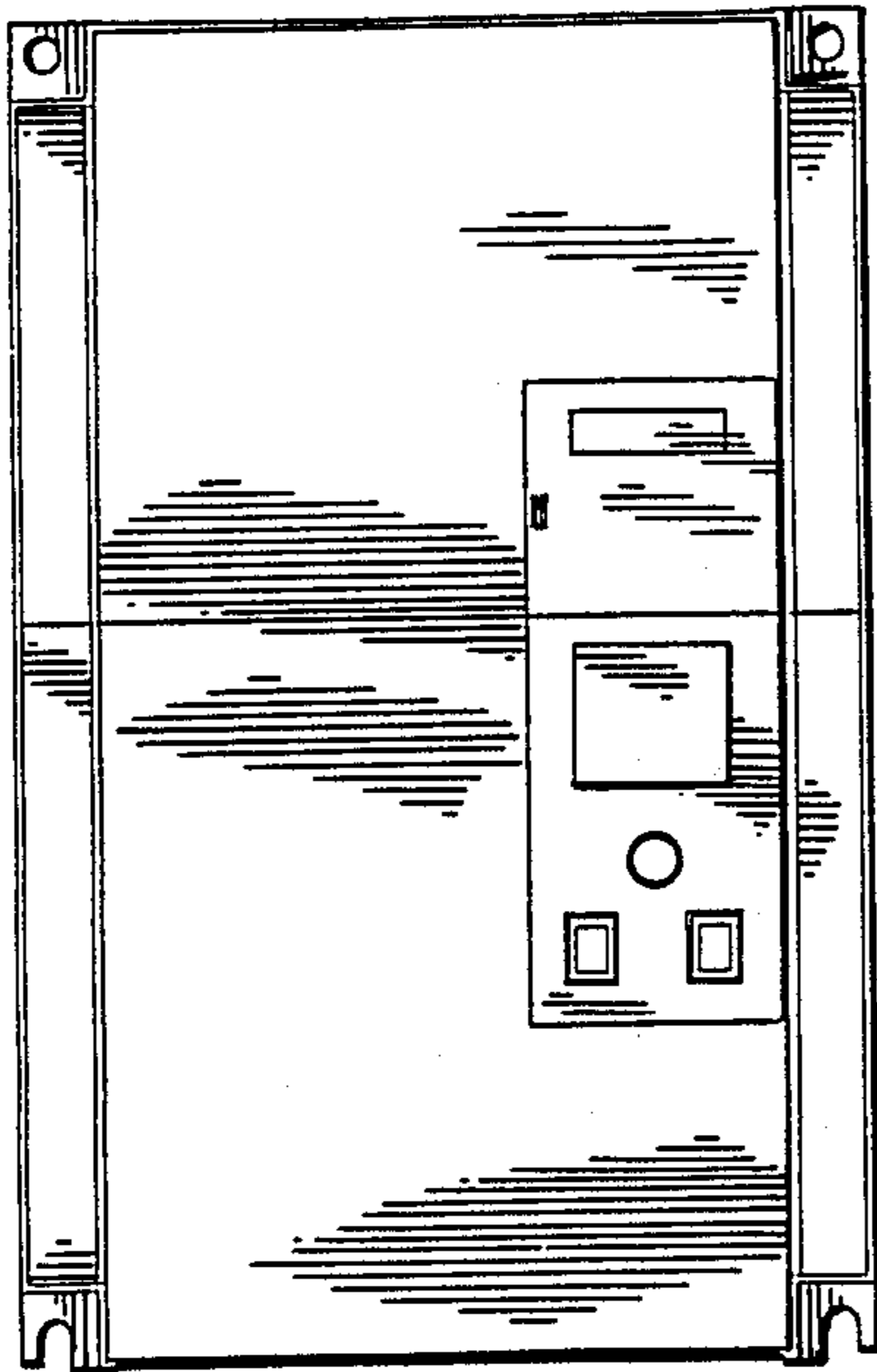


FIG. 2

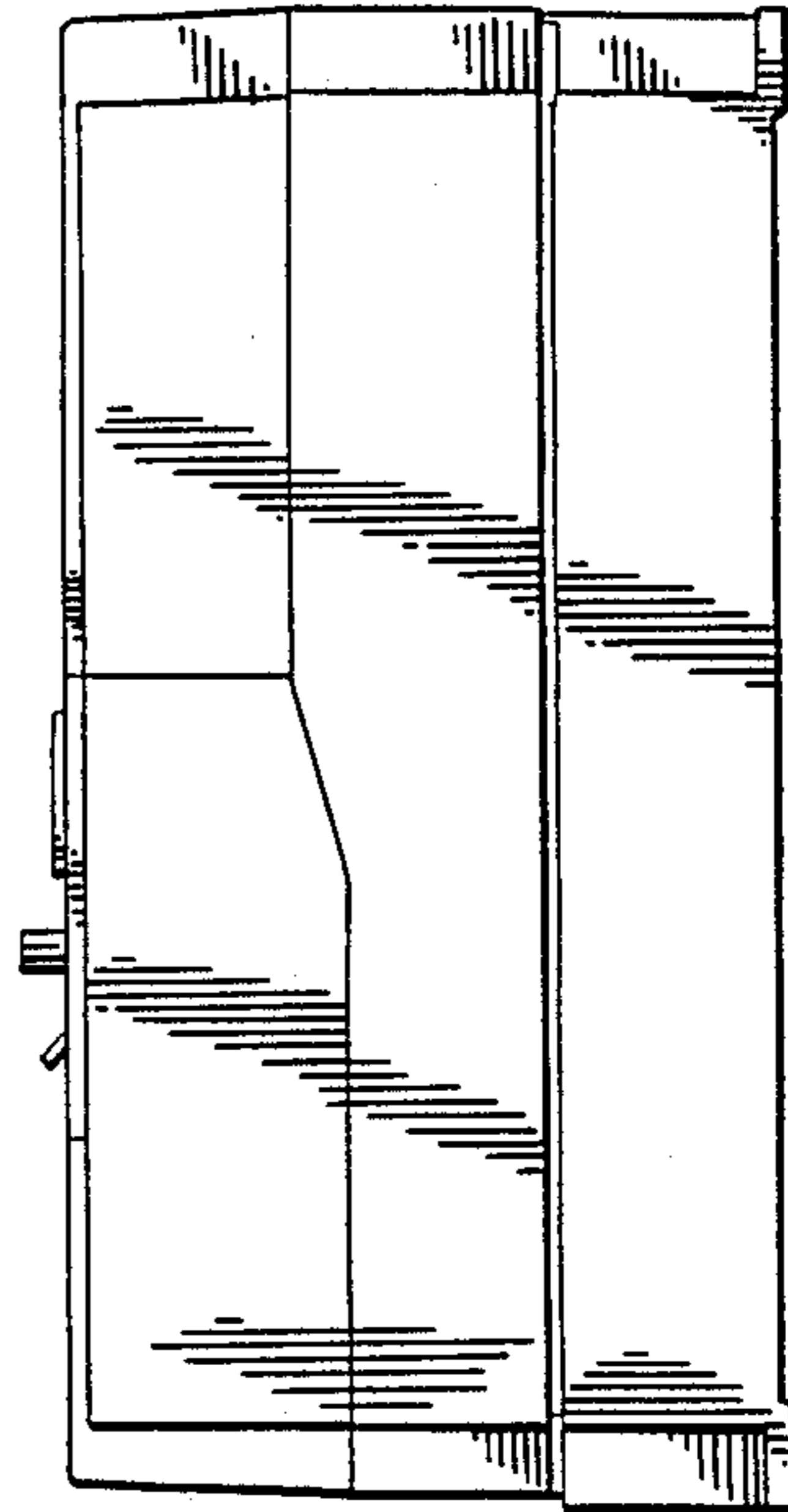


FIG. 3

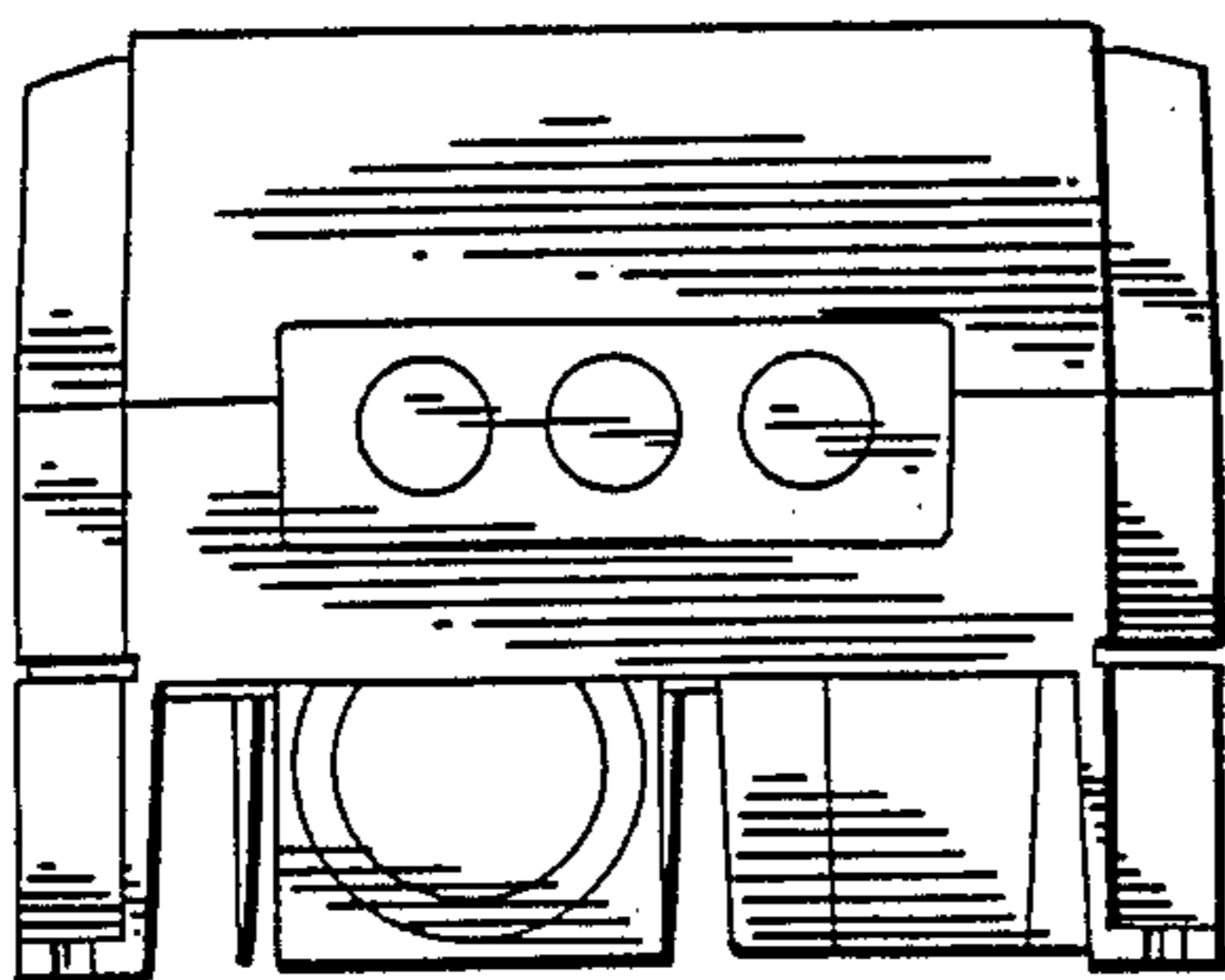


FIG. 4

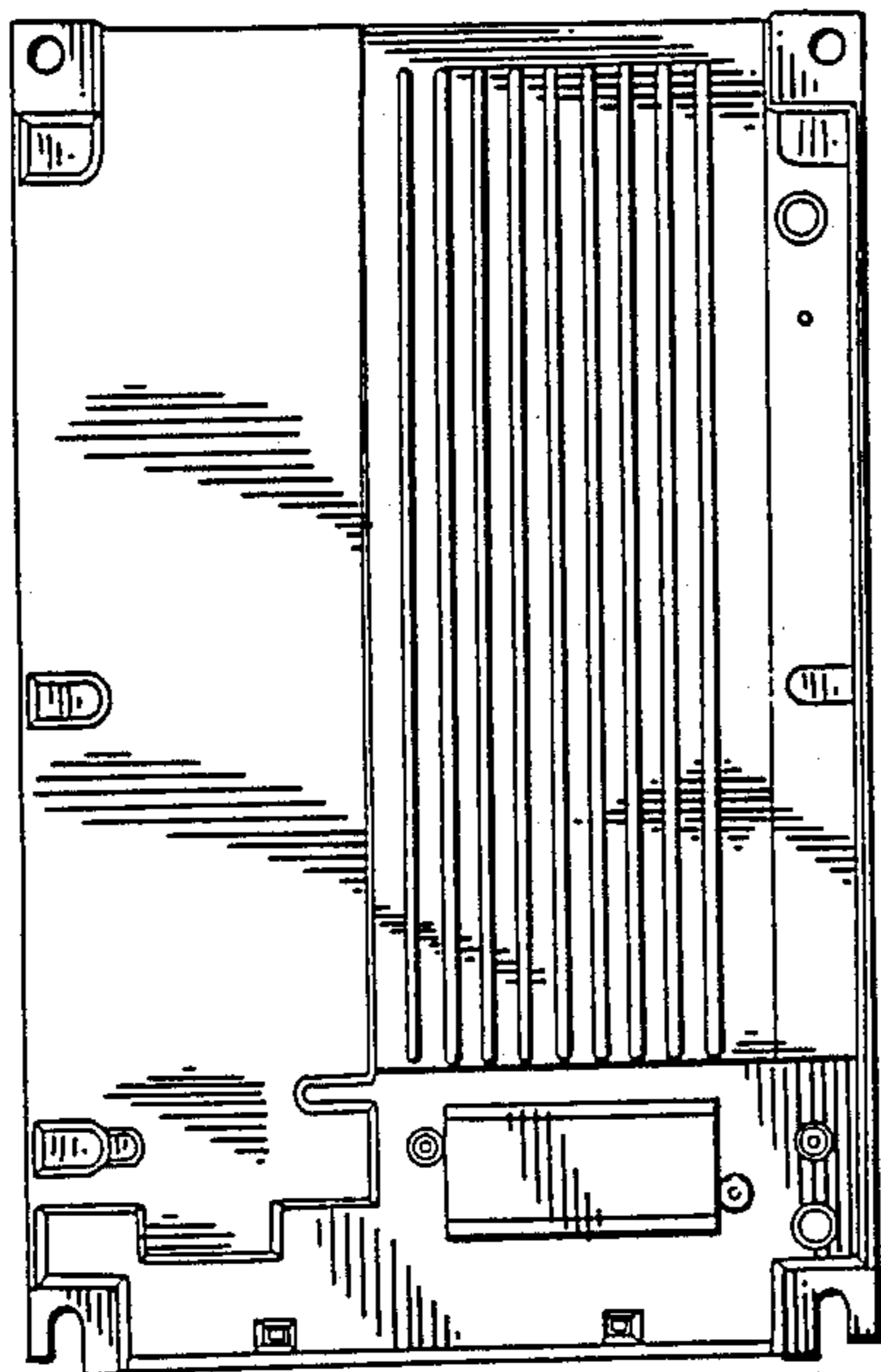


FIG. 5

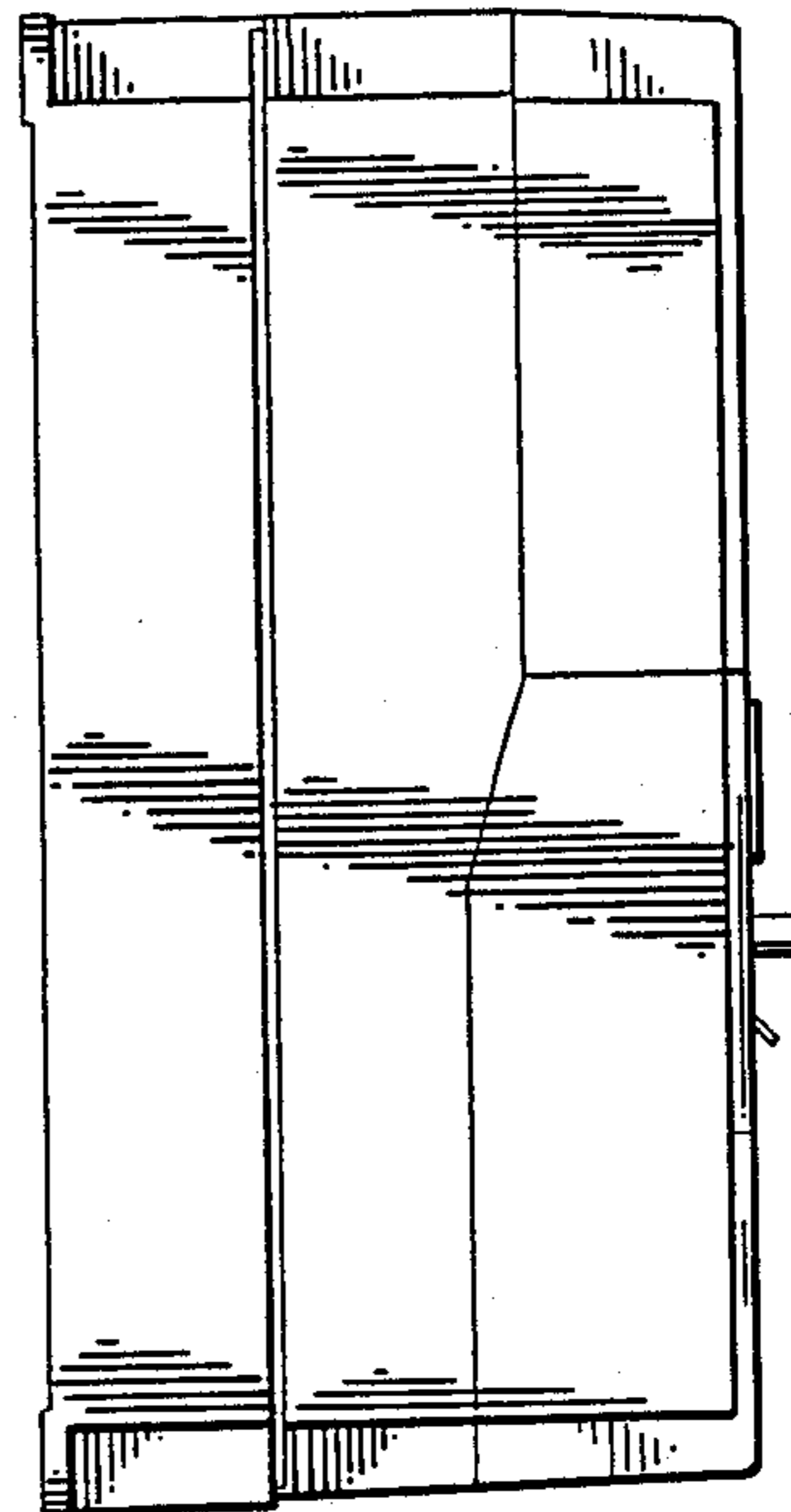


FIG. 6

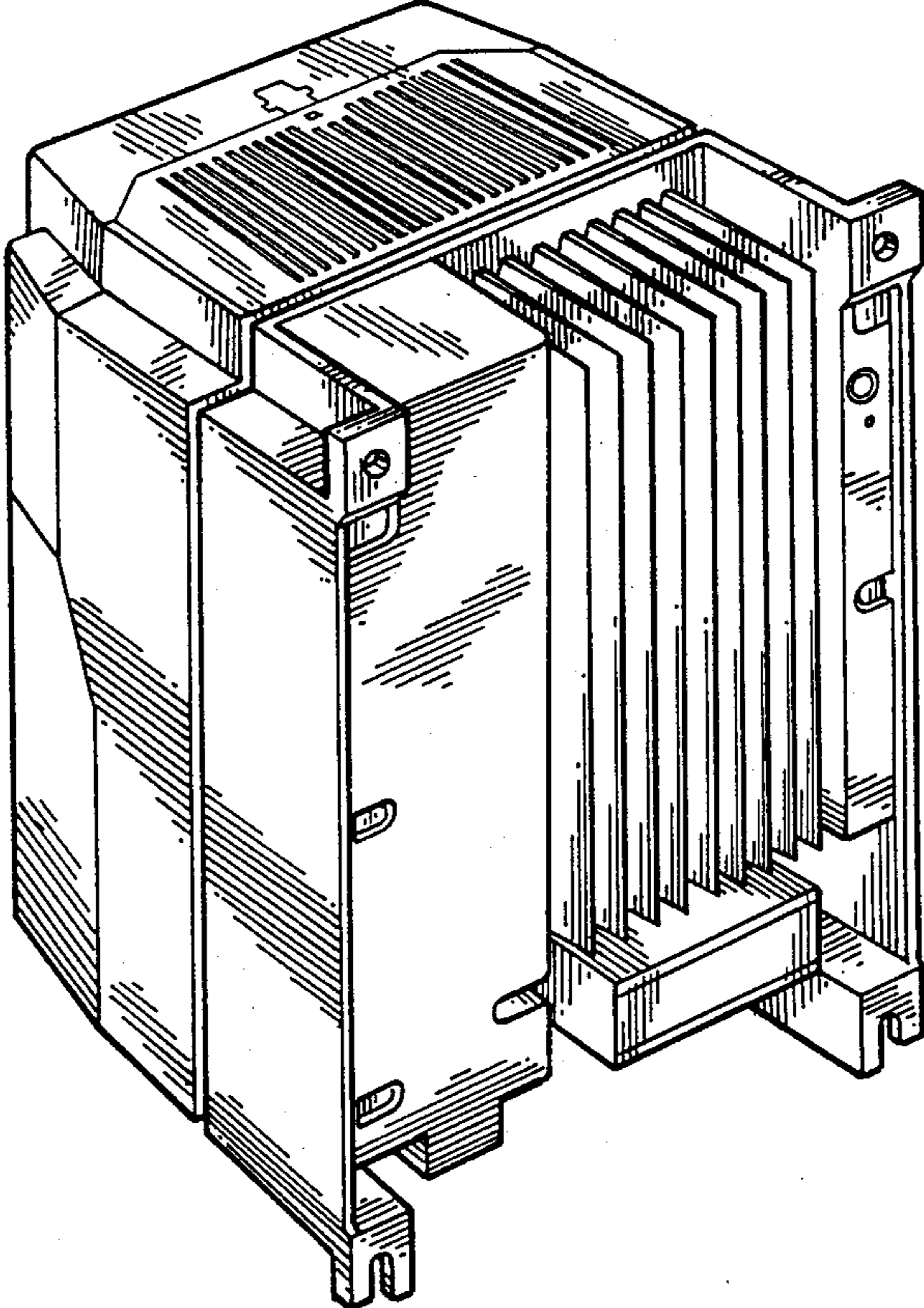


FIG. 7