

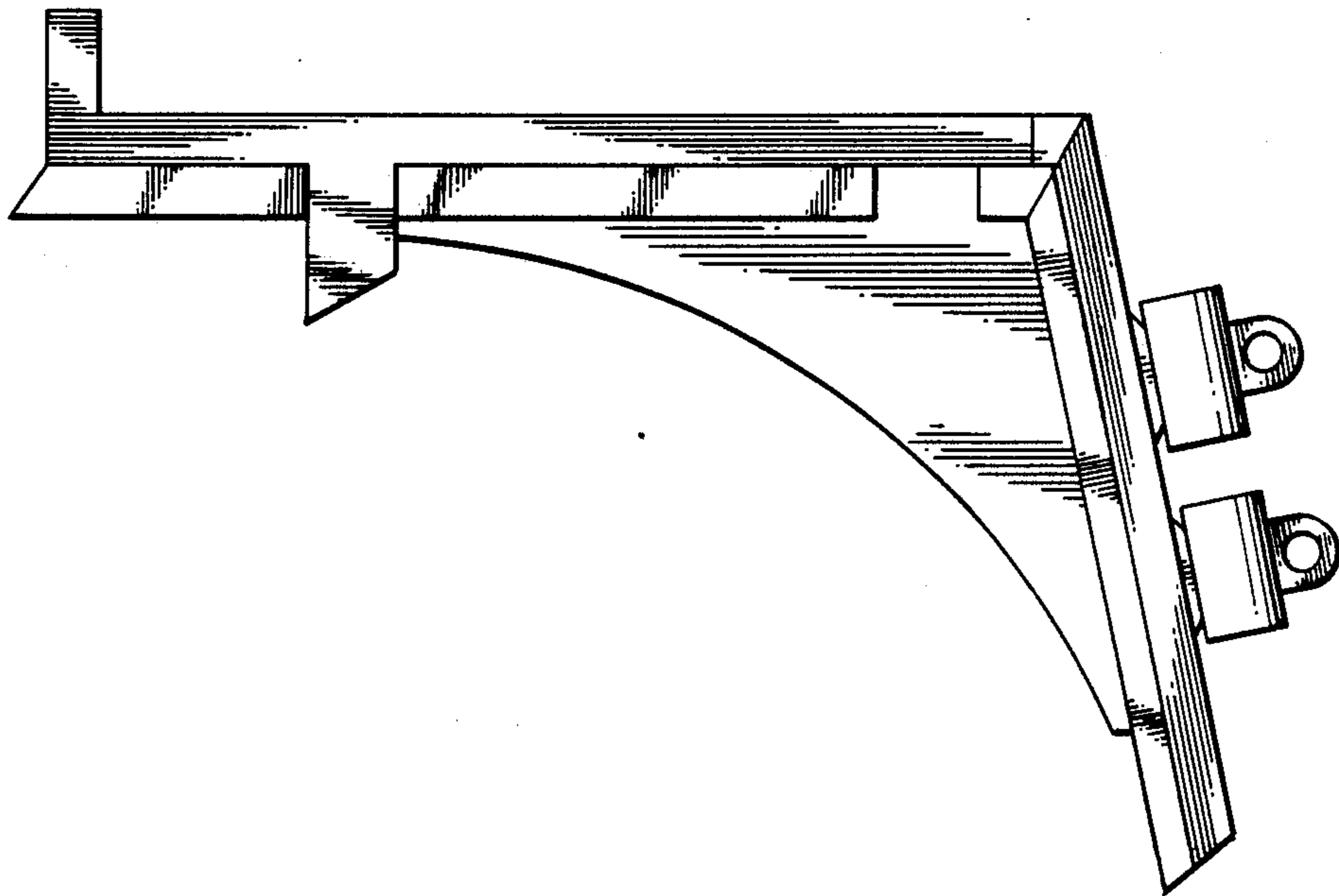
[54] **REAR SPLASH GUARD FOR BICYCLES**
[76] **Inventor: Arsenio E. Paduganan, #6 Randall Rd., Salimas, Calif. 93909**
[**] **Term: 14 Years**
[21] **Appl. No.: 70,522**
[22] **Filed: Jul. 7, 1987**
[52] **U.S. Cl. D12/186**
[58] **Field of Search D12/186; 280/152.1, 280/152.2, 154.5 A**

[56] **References Cited**
U.S. PATENT DOCUMENTS
D. 298,820 12/1986 Breen et al. D12/186

Primary Examiner—James M. Gandy
Assistant Examiner—Melody N. Brown
Attorney, Agent, or Firm—Richard C. Litman

[57] **CLAIM**
The ornamental design for a rear splash guard for bicycles, as shown.

DESCRIPTION
FIG. 1 is a right side elevation view of a rear splash guard for bicycles showing my new design; FIG. 2 is a rear elevation view thereof; FIG. 3 is a top plan view thereof; FIG. 4 is a front elevation view thereof; and FIG. 5 is a bottom plan view thereof.



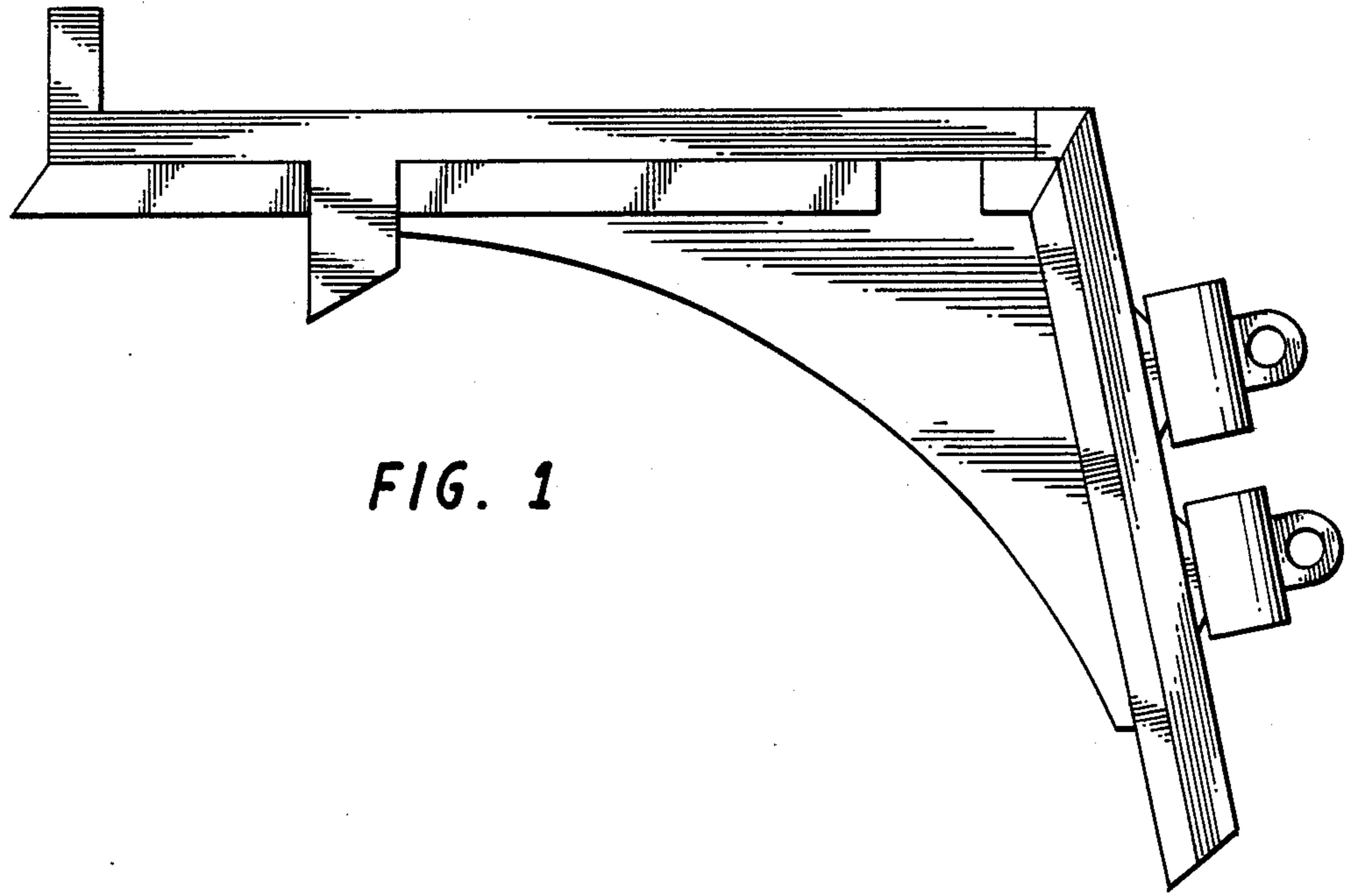


FIG. 1

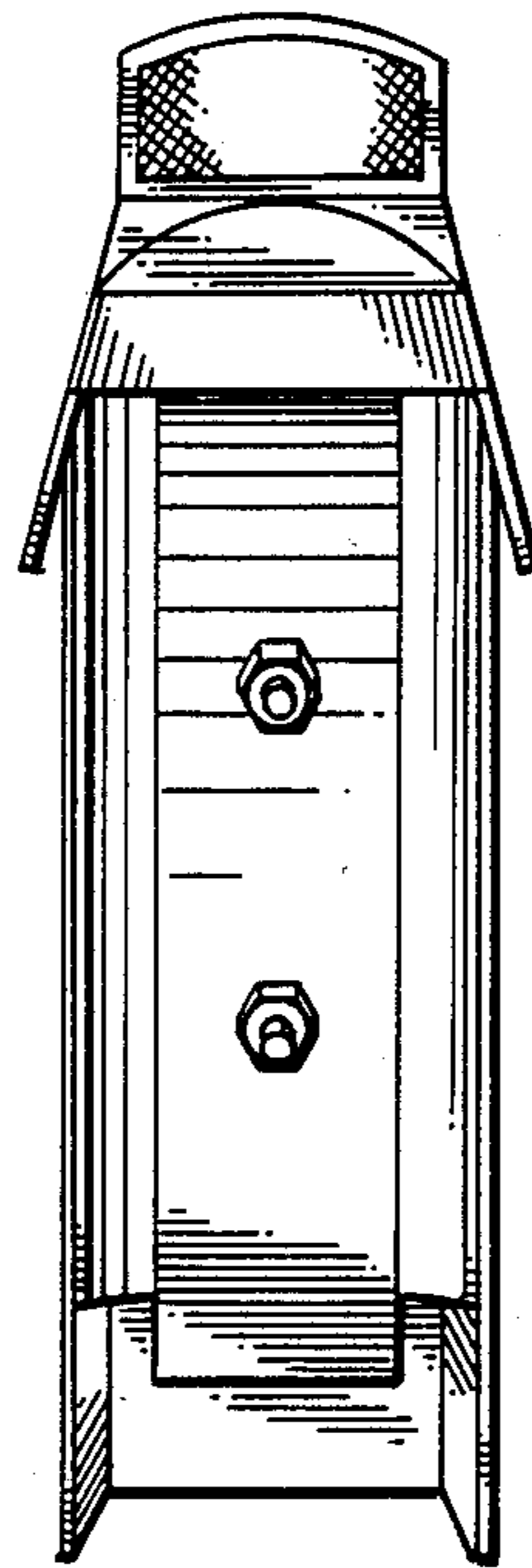


FIG. 2

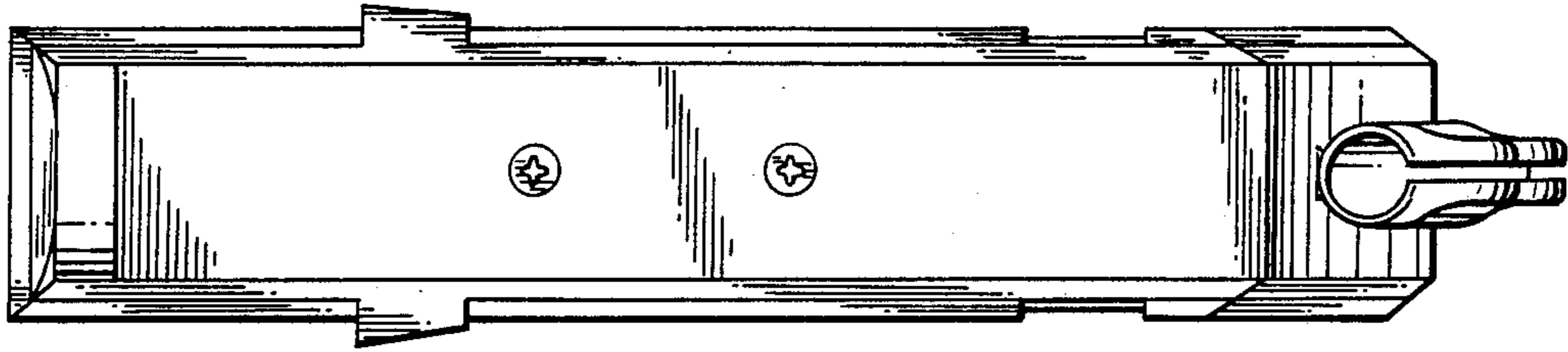


FIG. 3

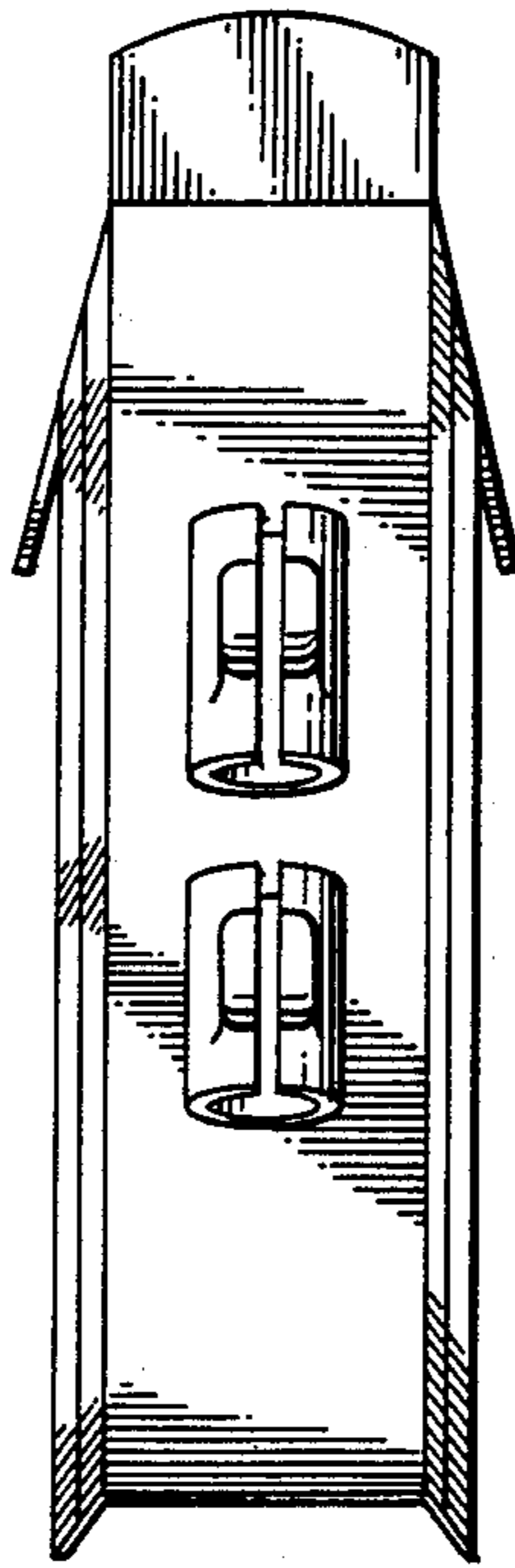


FIG. 4

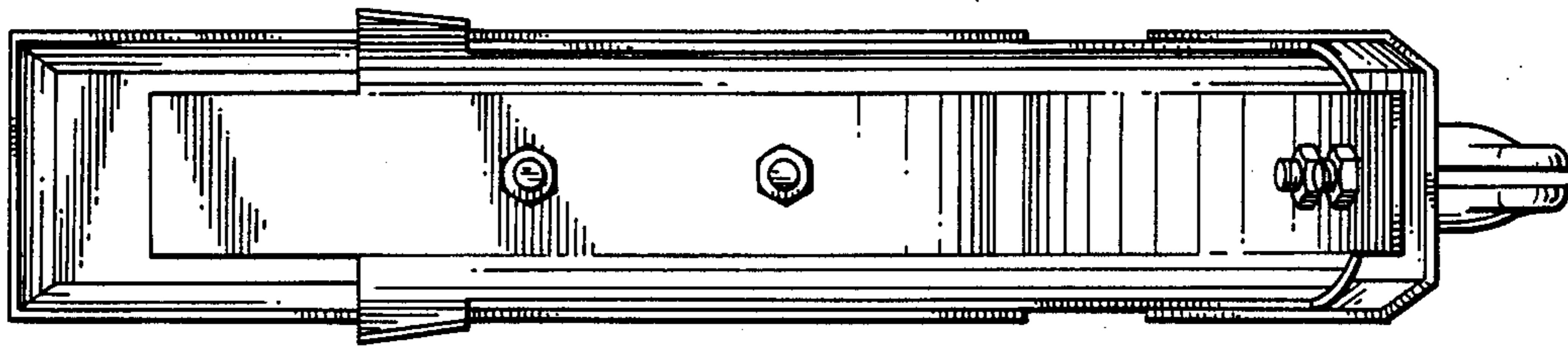


FIG. 5