

[54] FRONT SPLASH GUARD FOR BICYCLES

[76] Inventor: Arsenio E. Paduganan, #6 Randall Rd., Salinas, Calif. 93909

[**] Term: 14 Years

[21] Appl. No.: 70,520

[22] Filed: Jul. 7, 1987

[52] U.S. Cl. D12/186

[58] Field of Search D12/186; 280/152.1, 280/152.2, 154.5 A

[56] References Cited

U.S. PATENT DOCUMENTS

- D. 102,374 12/1936 Kraeft D12/186
- D. 118,828 2/1940 Morgan D12/186
- D. 186,453 10/1959 Hedstrom D12/186

FOREIGN PATENT DOCUMENTS

64060 11/1927 Sweden 280/152.1

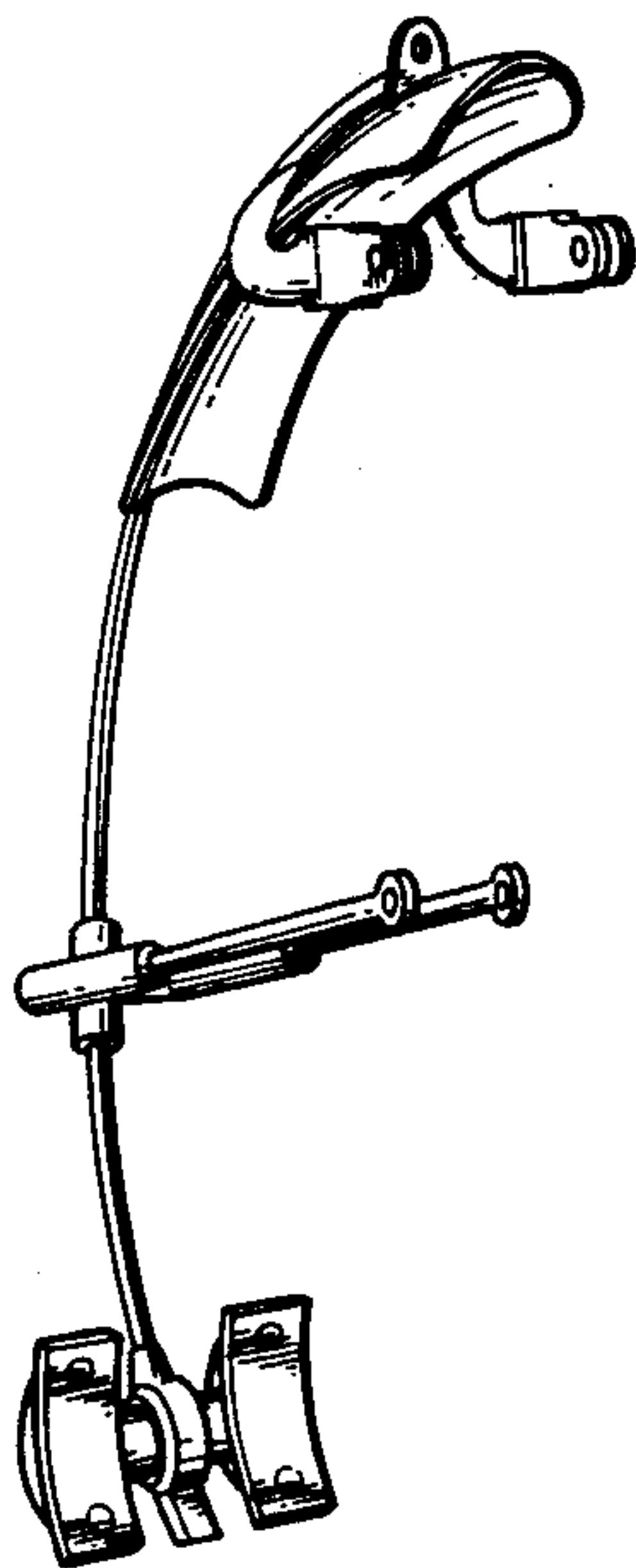
Primary Examiner—Wallace R. Burke
Assistant Examiner—Melody N. Brown
Attorney, Agent, or Firm—Richard C. Litman

[57] CLAIM

The ornamental design for a front splash guard for bicycles, as shown and described.

DESCRIPTION

FIG. 1 is a perspective view of a front splash guard for bicycles showing my new design;
FIG. 2 is a perspective view thereof with the fender panel omitted for convenience of illustration;
FIG. 3 is a right side elevational view thereof, with the bicycle wheel shown in broken lines for illustrative purposes only and form no part of the claimed design;
FIG. 4 is a front elevational view thereof;
FIG. 5 is a rear elevational view thereof; and
FIG. 6 is a top plan view thereof.



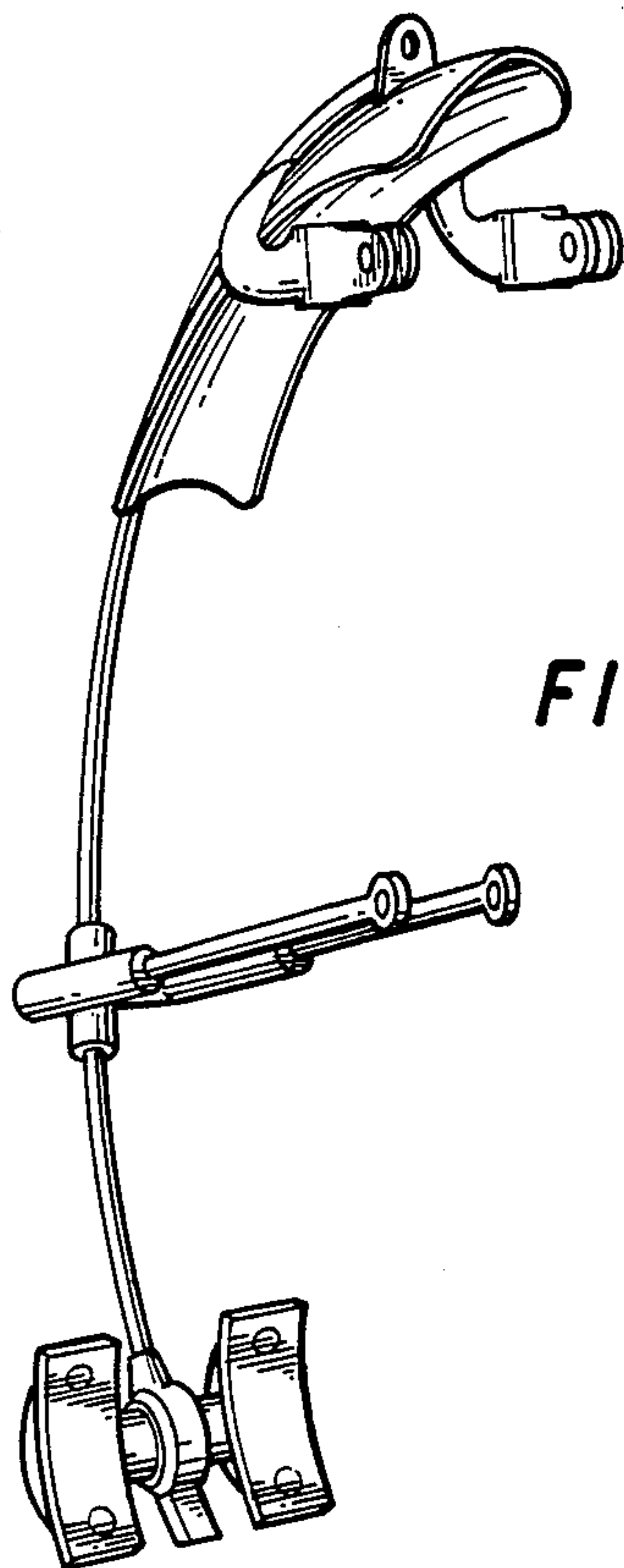


FIG. 1

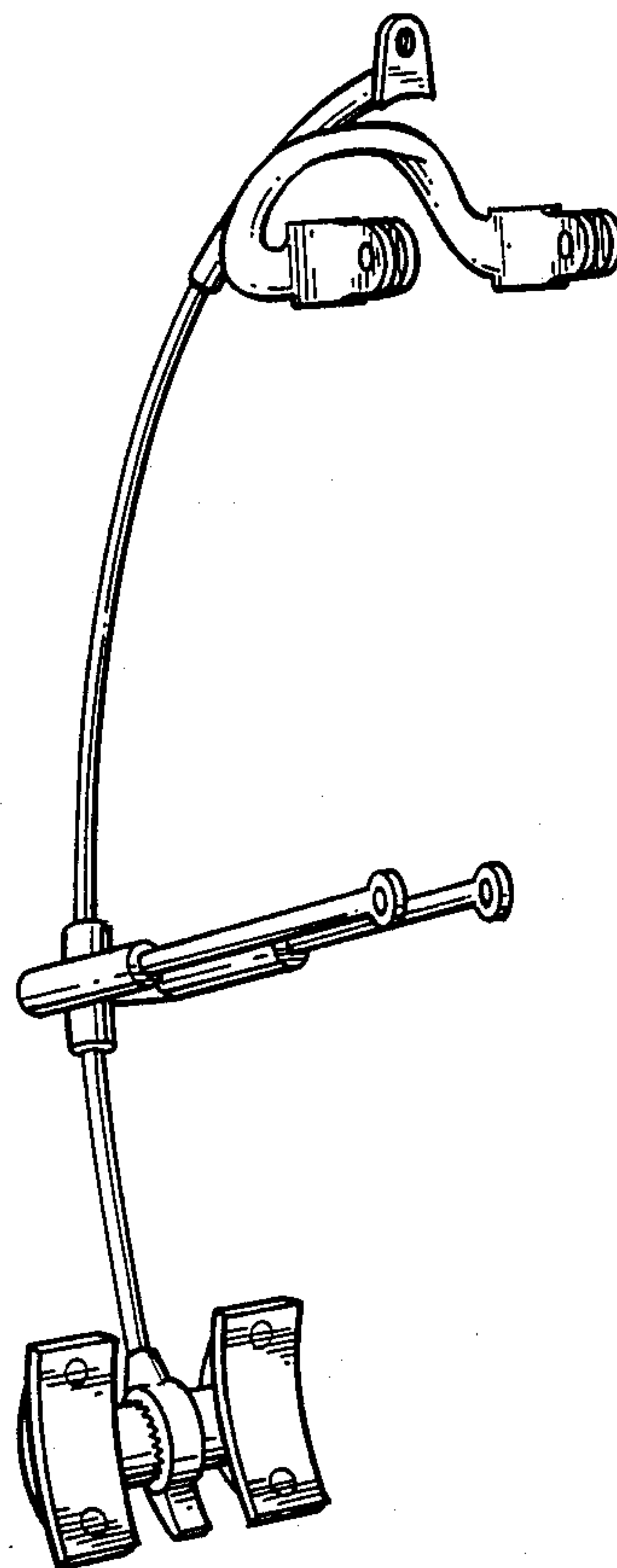


FIG. 2

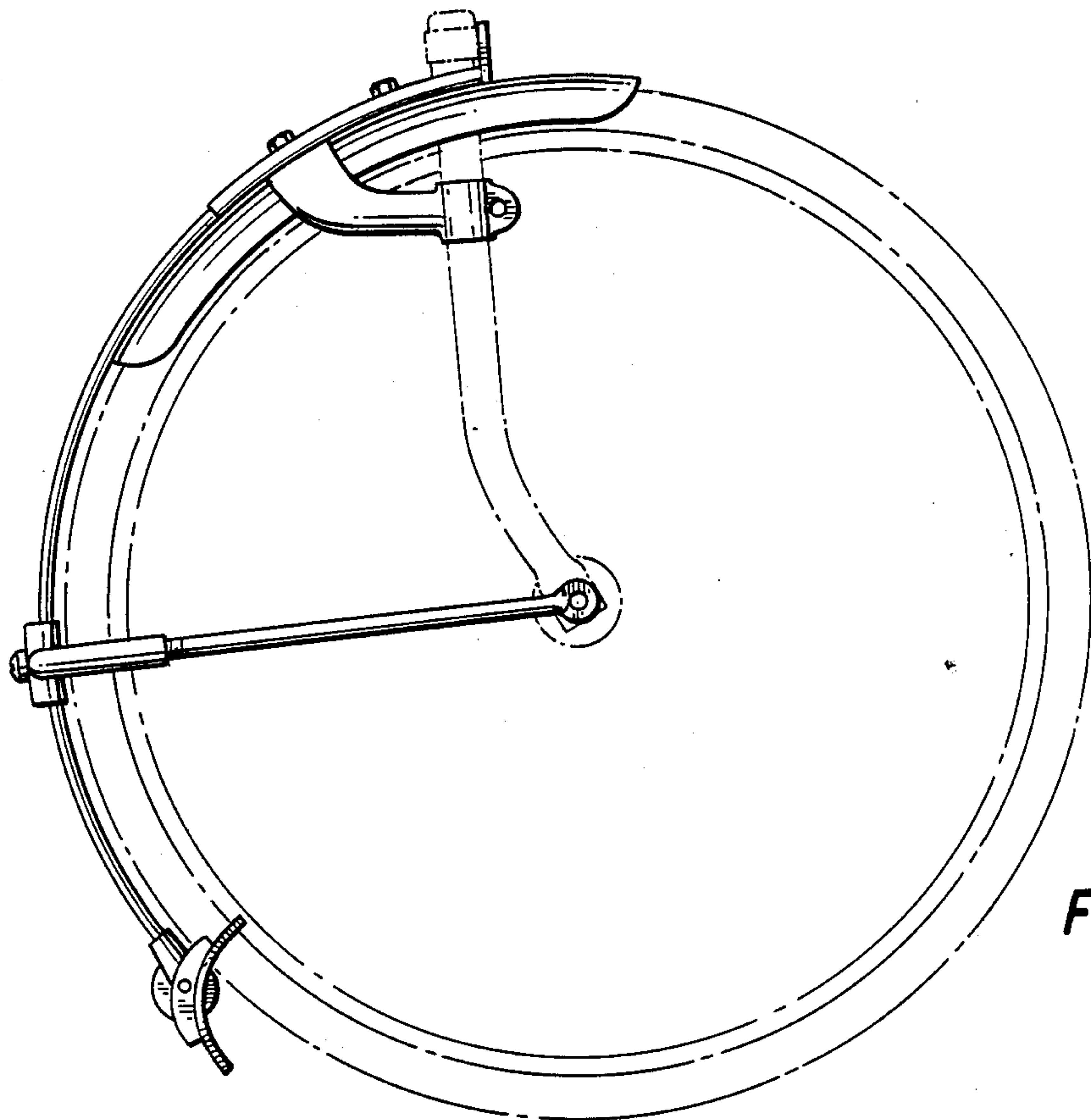


FIG. 3

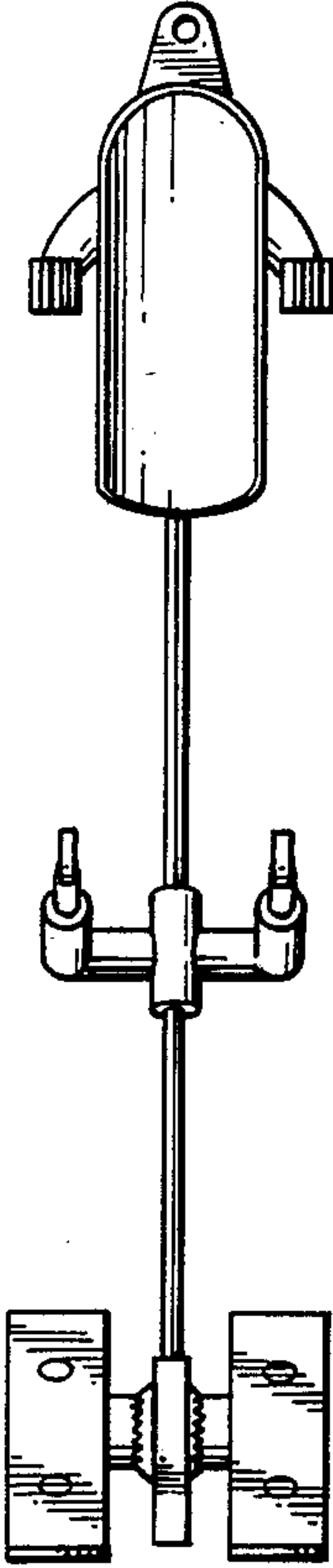


FIG. 4

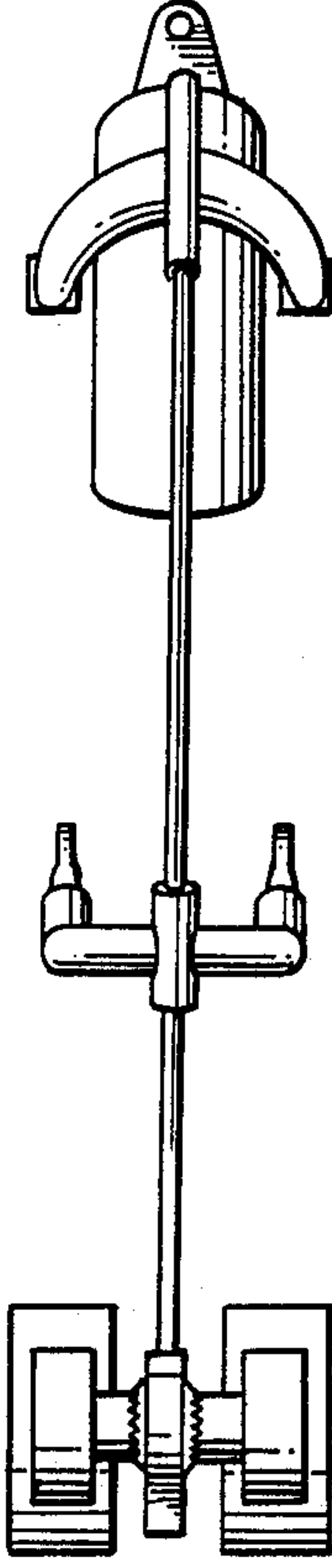


FIG. 5

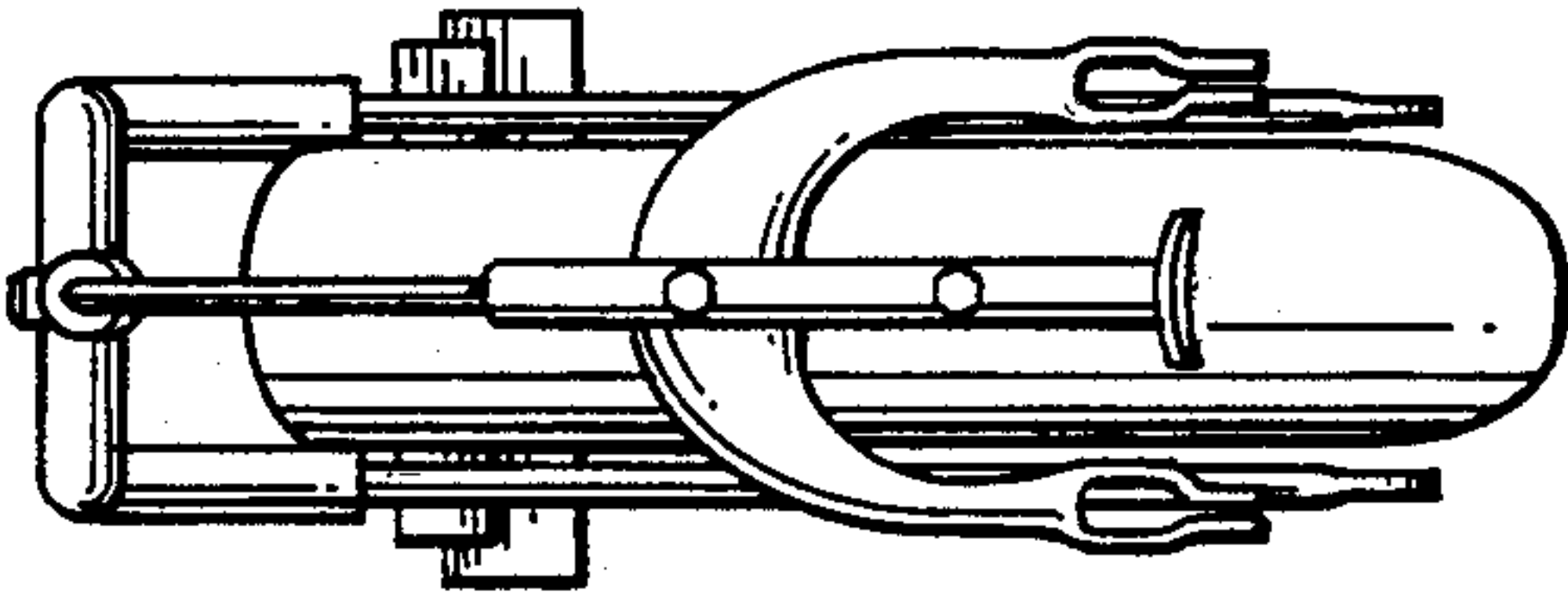


FIG. 6