

United States Patent [19]

Blumenthal

[11] Patent Number: **Des. 305,108**

[45] Date of Patent: **** Dec. 19, 1989**

[54] WALKER

[75] Inventor: **Martin Blumenthal, Chatham, N.J.**

[73] Assignee: **Century Products Company,
Macedonia, Ohio**

[**] Term: **14 Years**

[21] Appl. No.: **90,644**

[22] Filed: **Aug. 28, 1987**

[52] U.S. Cl. **D12/130**

[58] Field of Search **D12/130, 128;
280/87.051, 43.24; 297/6, 5; 272/70.3;
D21/136, 137**

[56] **References Cited**

U.S. PATENT DOCUMENTS

D. 155,025 8/1949 Nanna D12/129
D. 191,873 12/1961 Janosko D21/136

D. 240,518 7/1976 Ishida D12/130
2,176,832 10/1939 Allen 280/87.051
4,576,392 3/1986 Quinlan, Jr. 280/87.051

Primary Examiner—Wallace R. Burke

Assistant Examiner—Kay H. Chin

Attorney, Agent, or Firm—Townsend and Townsend

[57] **CLAIM**

The ornamental design for a walker, as shown and described.

DESCRIPTION

FIG. 1 is a perspective view of a walker showing my new design;

FIG. 2 is a top plan view thereof;

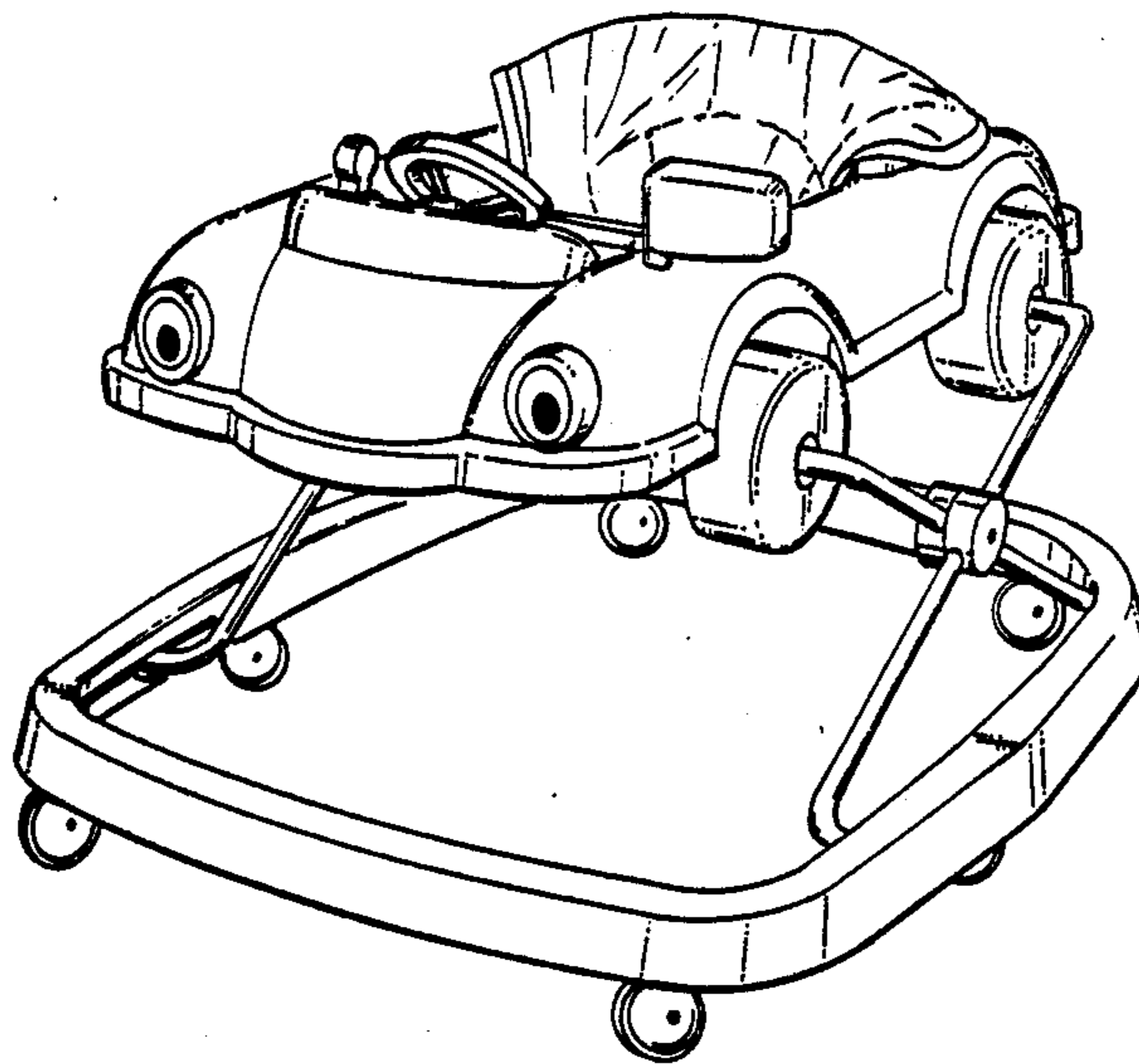
FIG. 3 is a front elevational view thereof;

FIG. 4 is a right side elevational view thereof;

FIG. 5 is a left side elevational view thereof;

FIG. 6 is a rear elevational view thereof; and

FIG. 7 is a bottom plan view thereof.



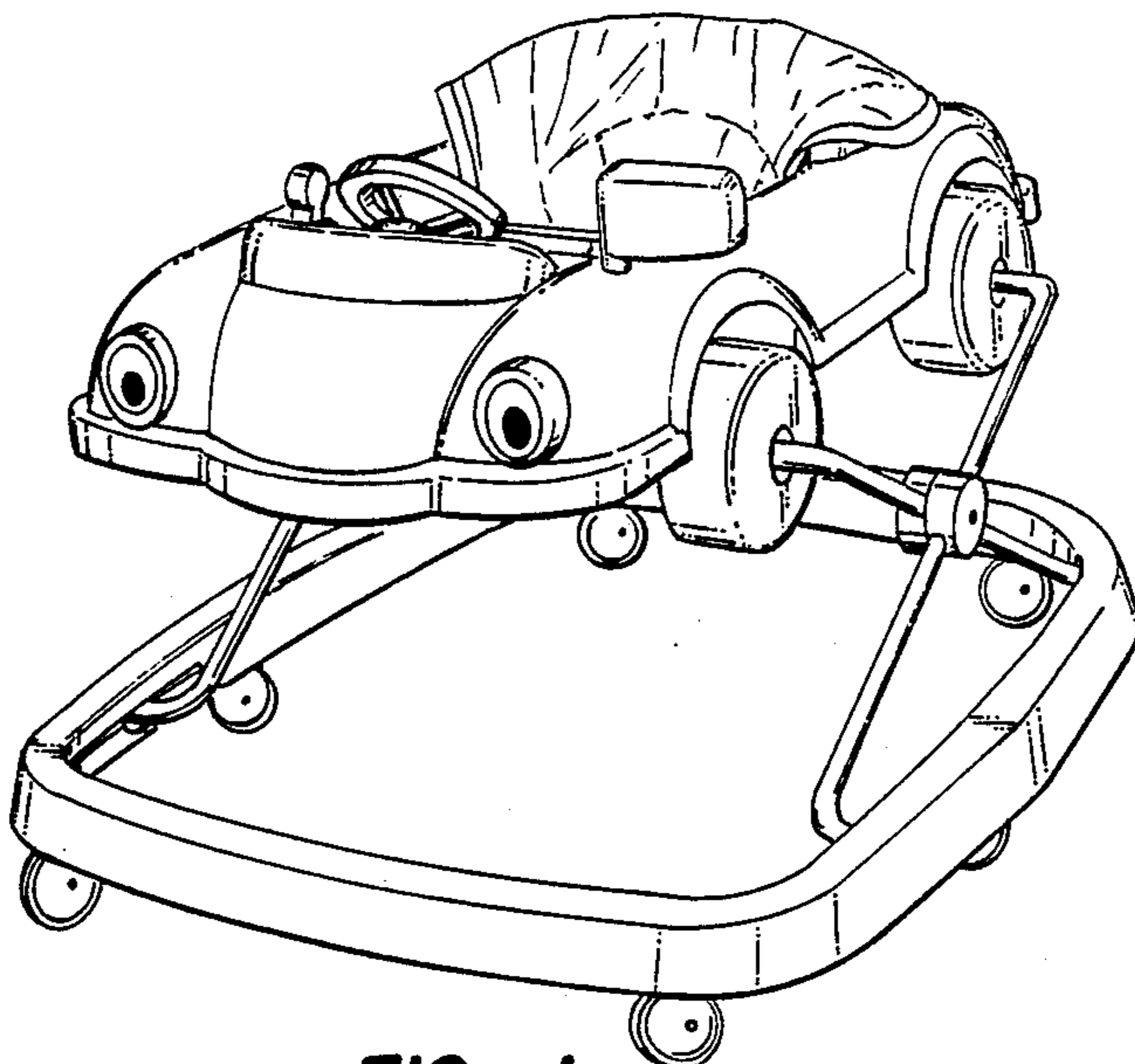


FIG. 1.

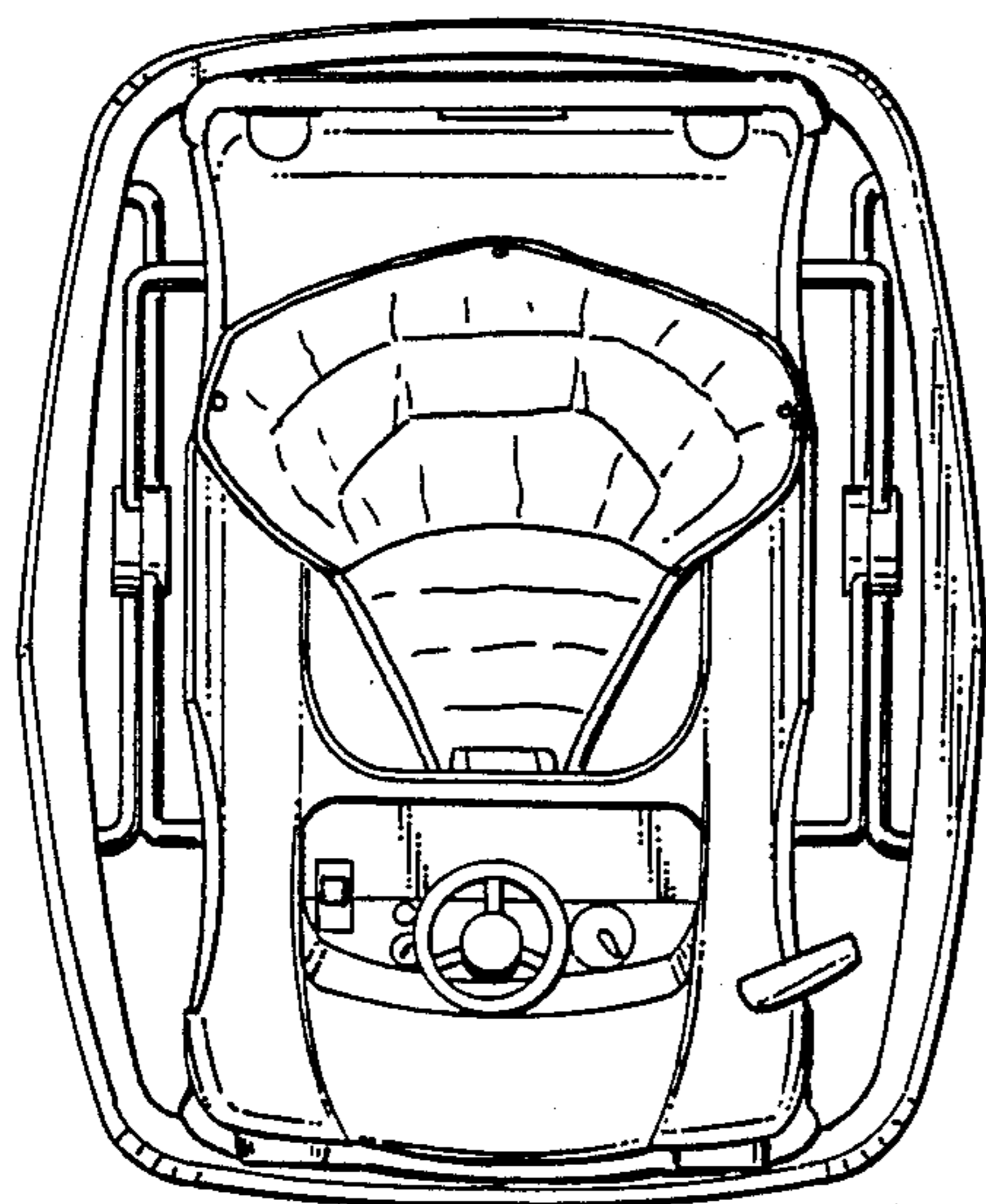


FIG. 2.

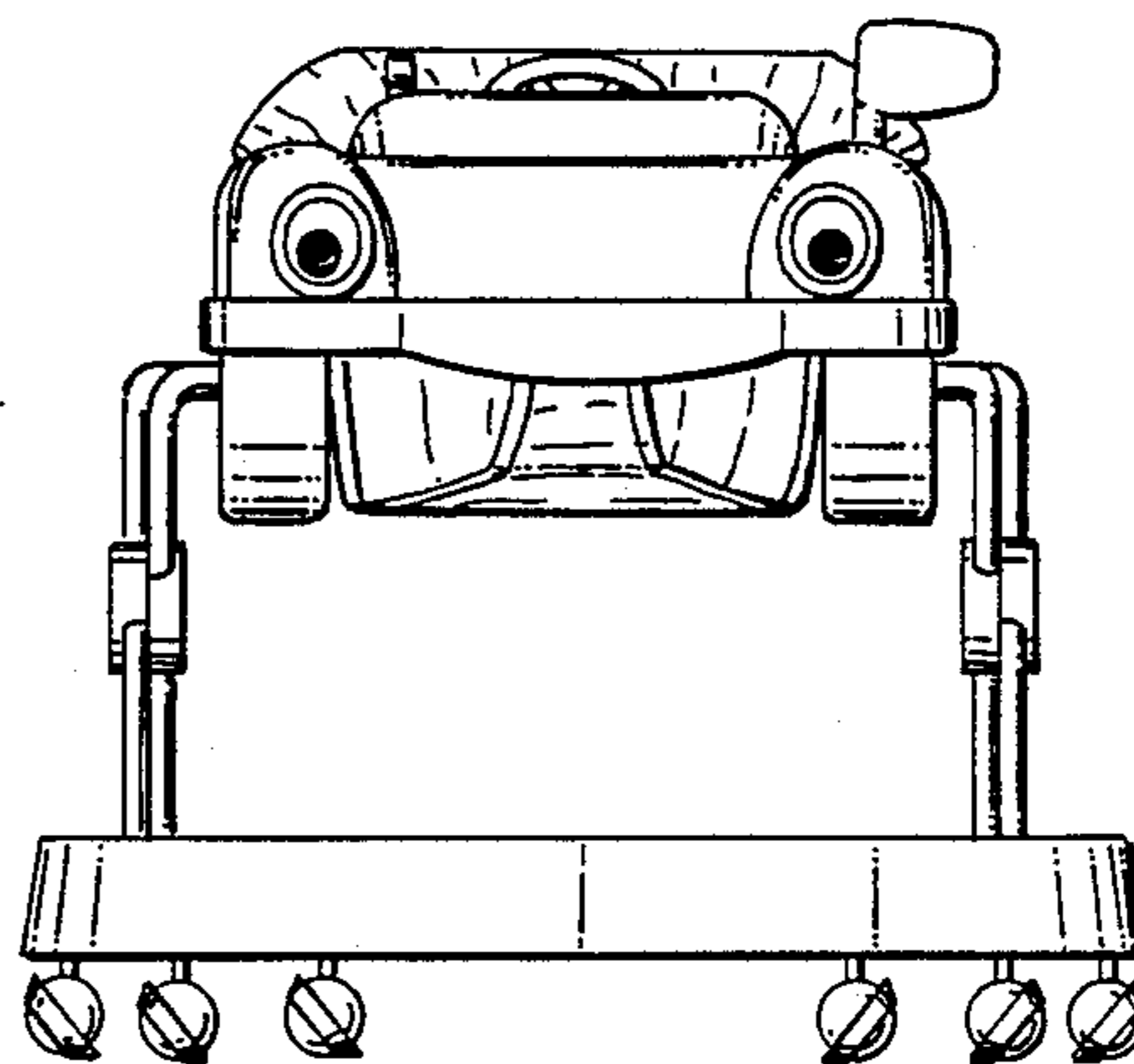


FIG. 3.

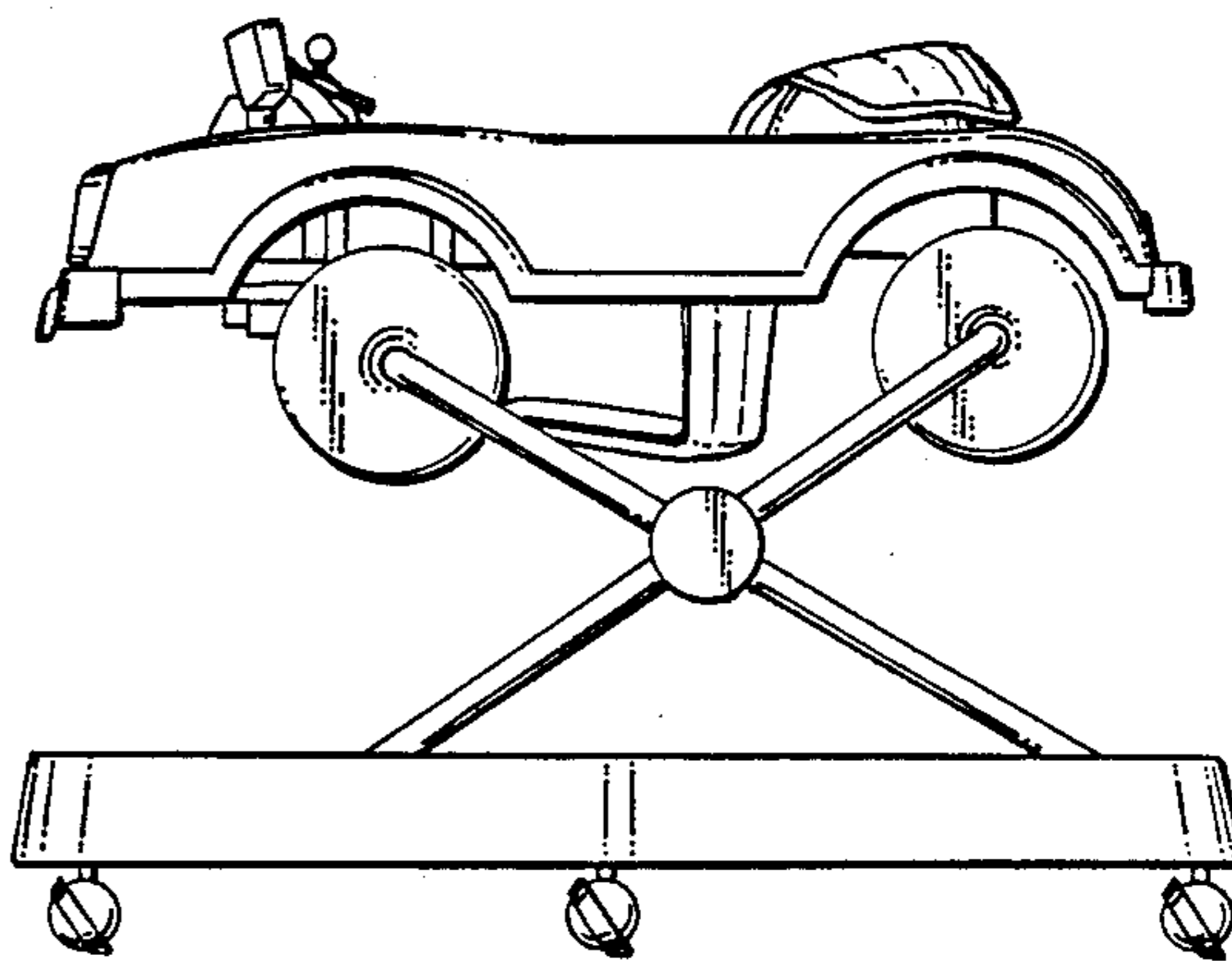


FIG. 4.

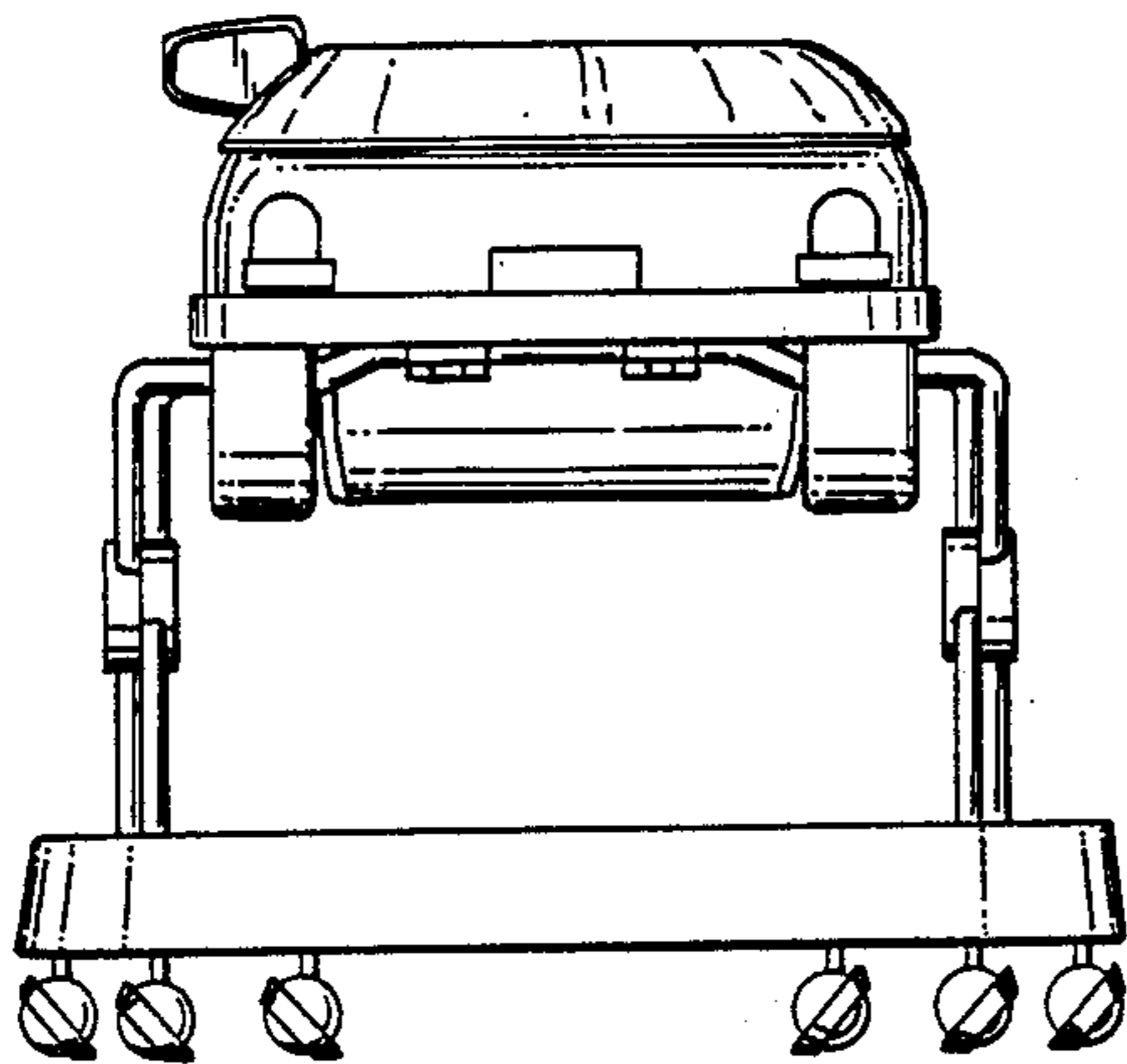


FIG._6.

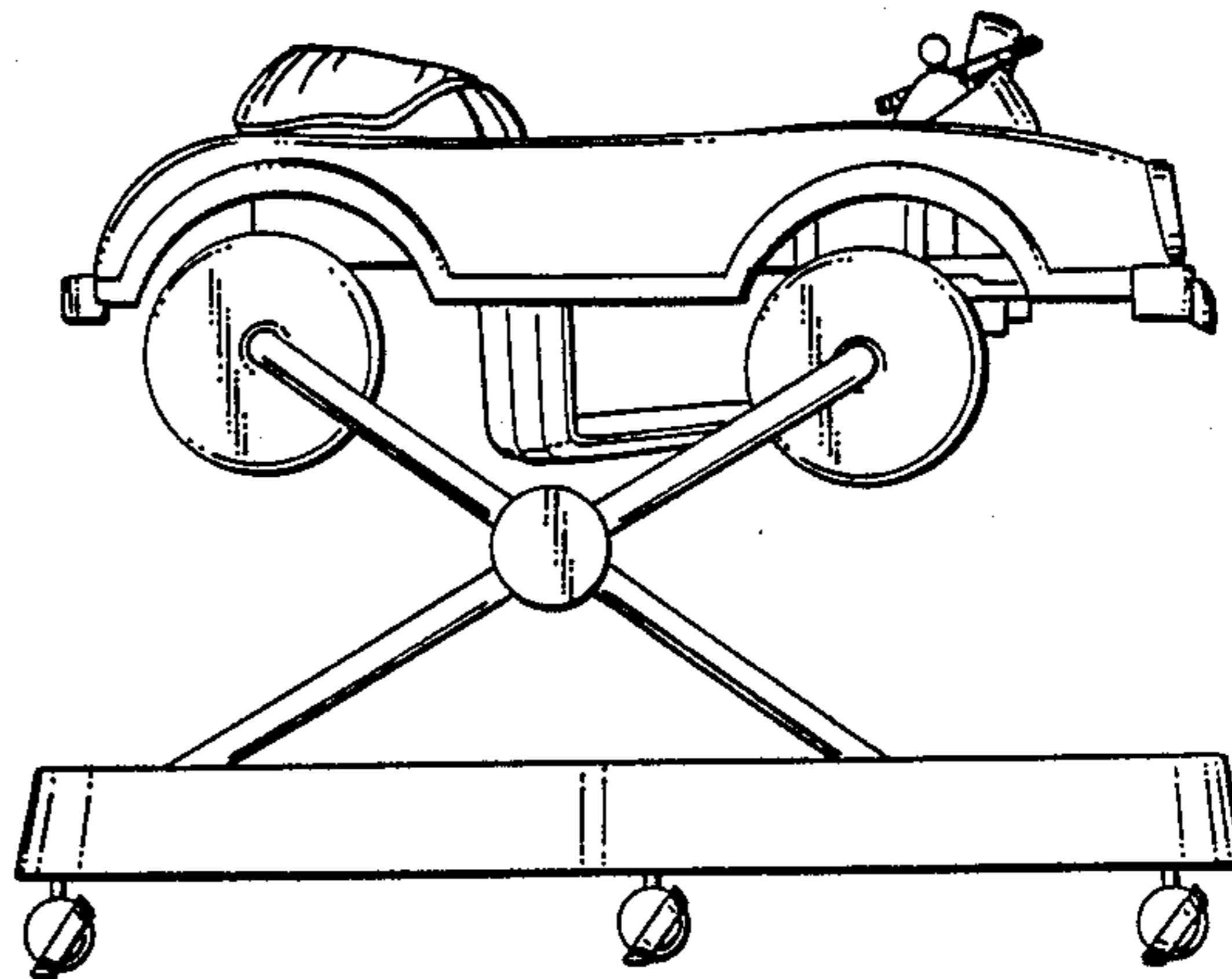


FIG._5.

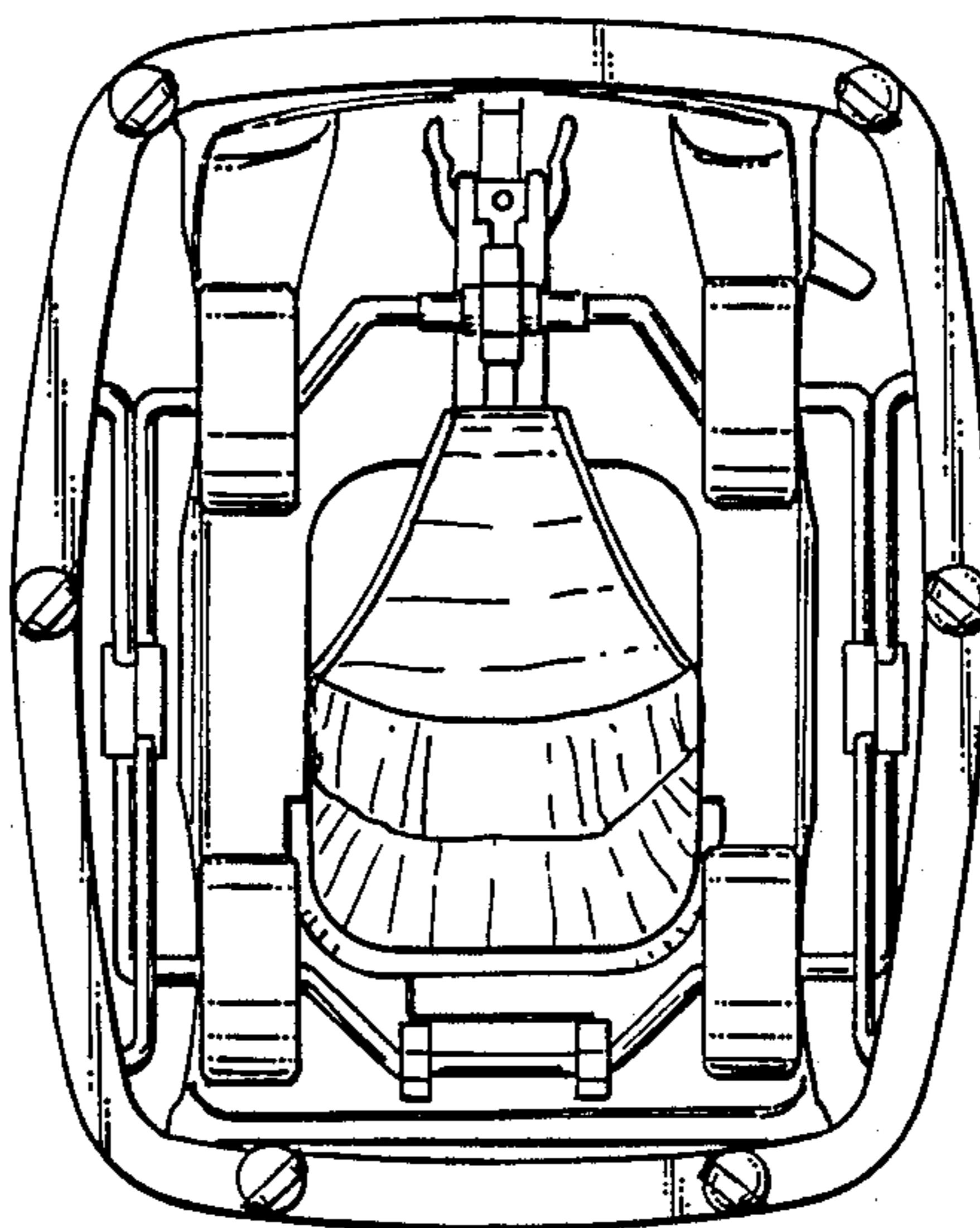


FIG._7.