

[54] **PALANQUIN**

[76] **Inventor: Sheng Y. Lin, No. 335, Sec. 1, Her
Tsuoh Road, Homei Chen, Chang
Hwa, Taiwan**

[**] **Term: 14 Years**

[21] **Appl. No.: 909,073**

[22] **Filed: Sep. 18, 1986**

[52] **U.S. Cl. D12/1**

[58] **Field of Search D12/1; 224/158, 159,
224/157**

[56] **References Cited**

U.S. PATENT DOCUMENTS

1,923,617	8/1933	Edensword	224/157
4,087,030	5/1978	Knight	224/157
4,286,740	9/1981	Knight	224/158

FOREIGN PATENT DOCUMENTS

479892 2/1916 France 224/157

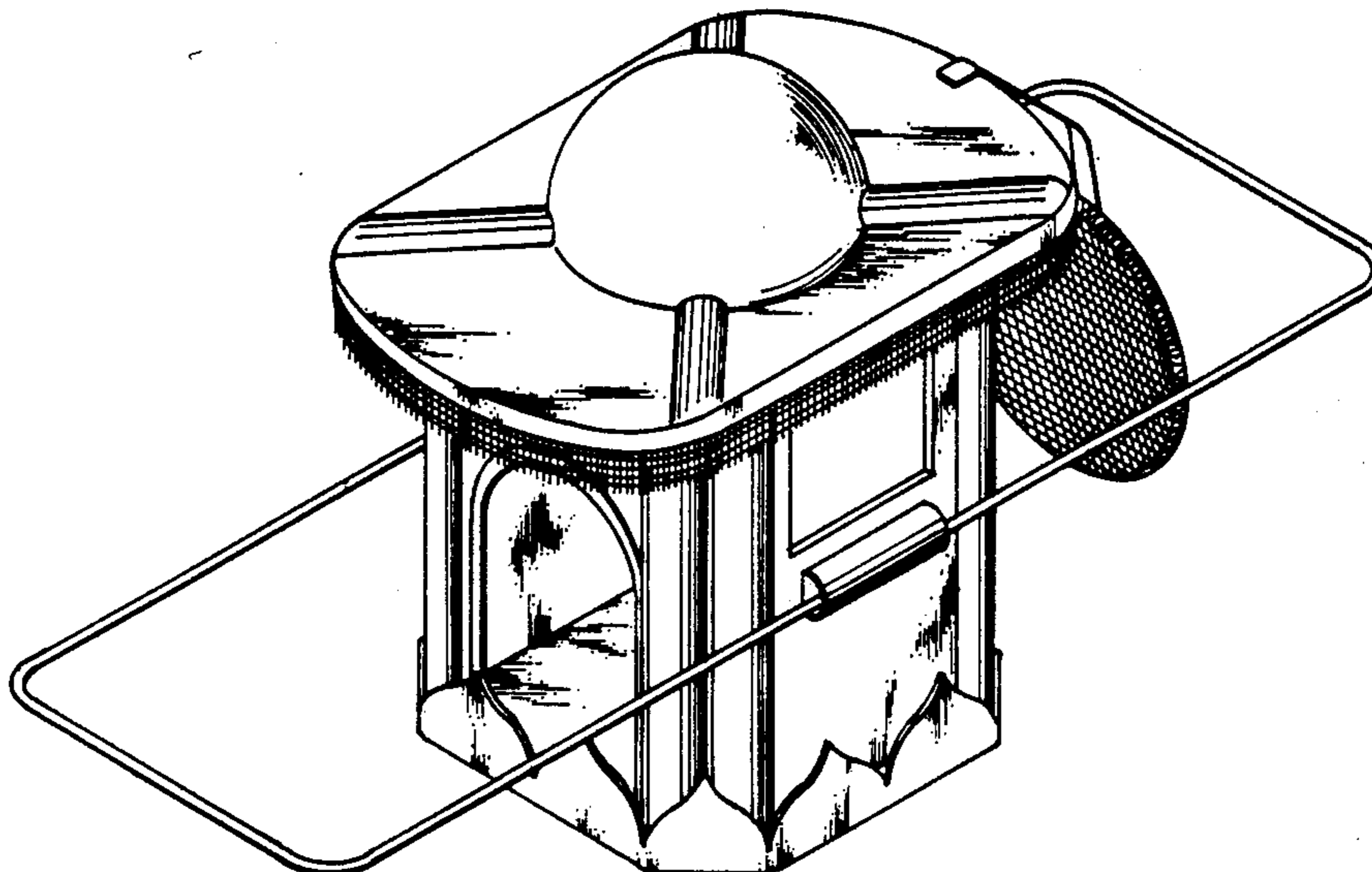
Primary Examiner—Wallace R. Burke
Assistant Examiner—K. H. Chin
Attorney, Agent, or Firm—Birch, Stewart, Kolasch &
Birch

[57] **CLAIM**

The ornamental design for a palanquin, as shown.

DESCRIPTION

FIG. 1 is a perspective view of a palanquin showing my new design;
FIG. 2 is a front elevational view thereof;
FIG. 3 is a rear elevational view thereof;
FIG. 4 is a top plan view thereof;
FIG. 5 is a right or left side elevational view thereof;
and
FIG. 6 is a bottom plan view thereof.



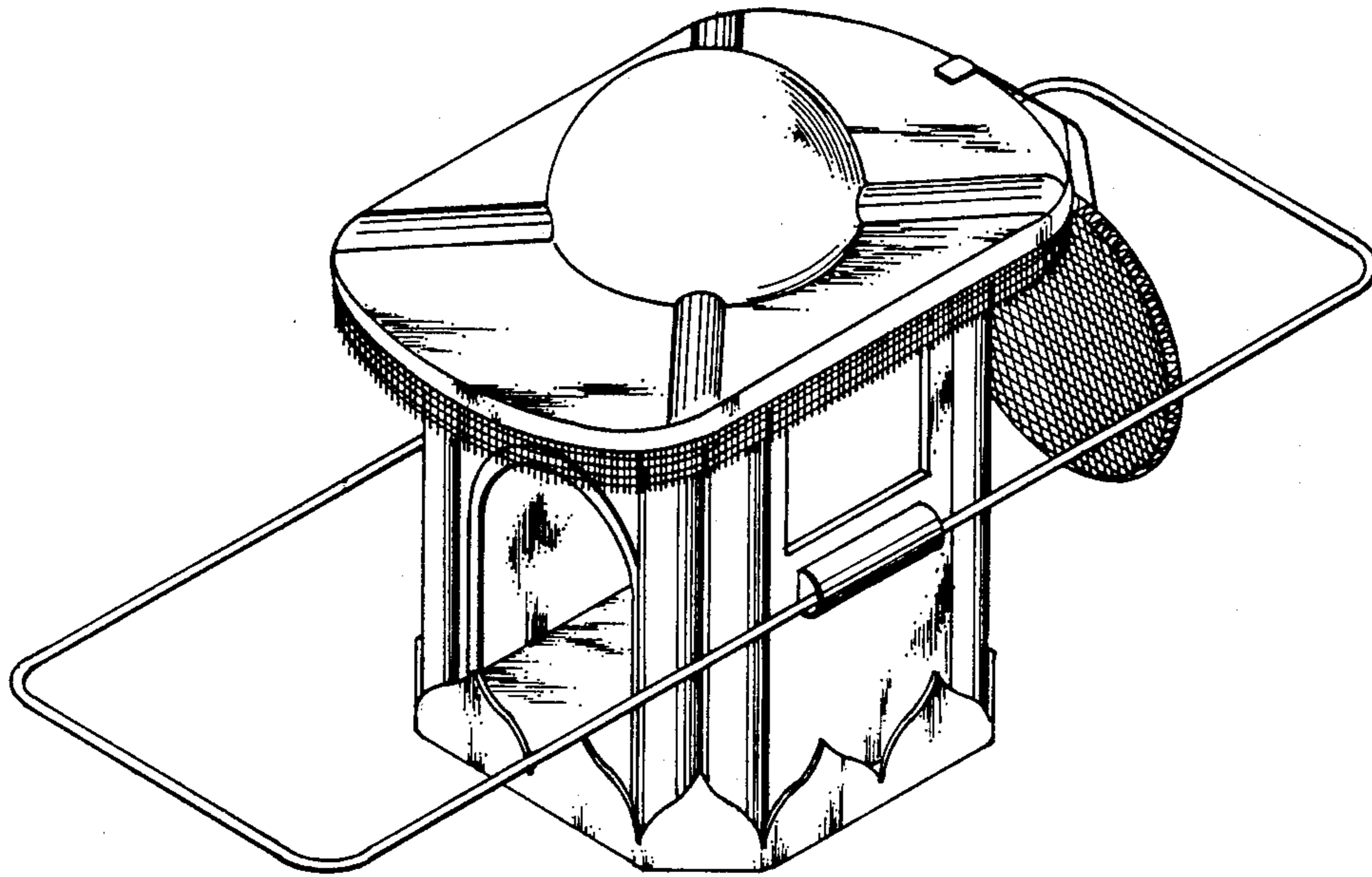


FIG. 1

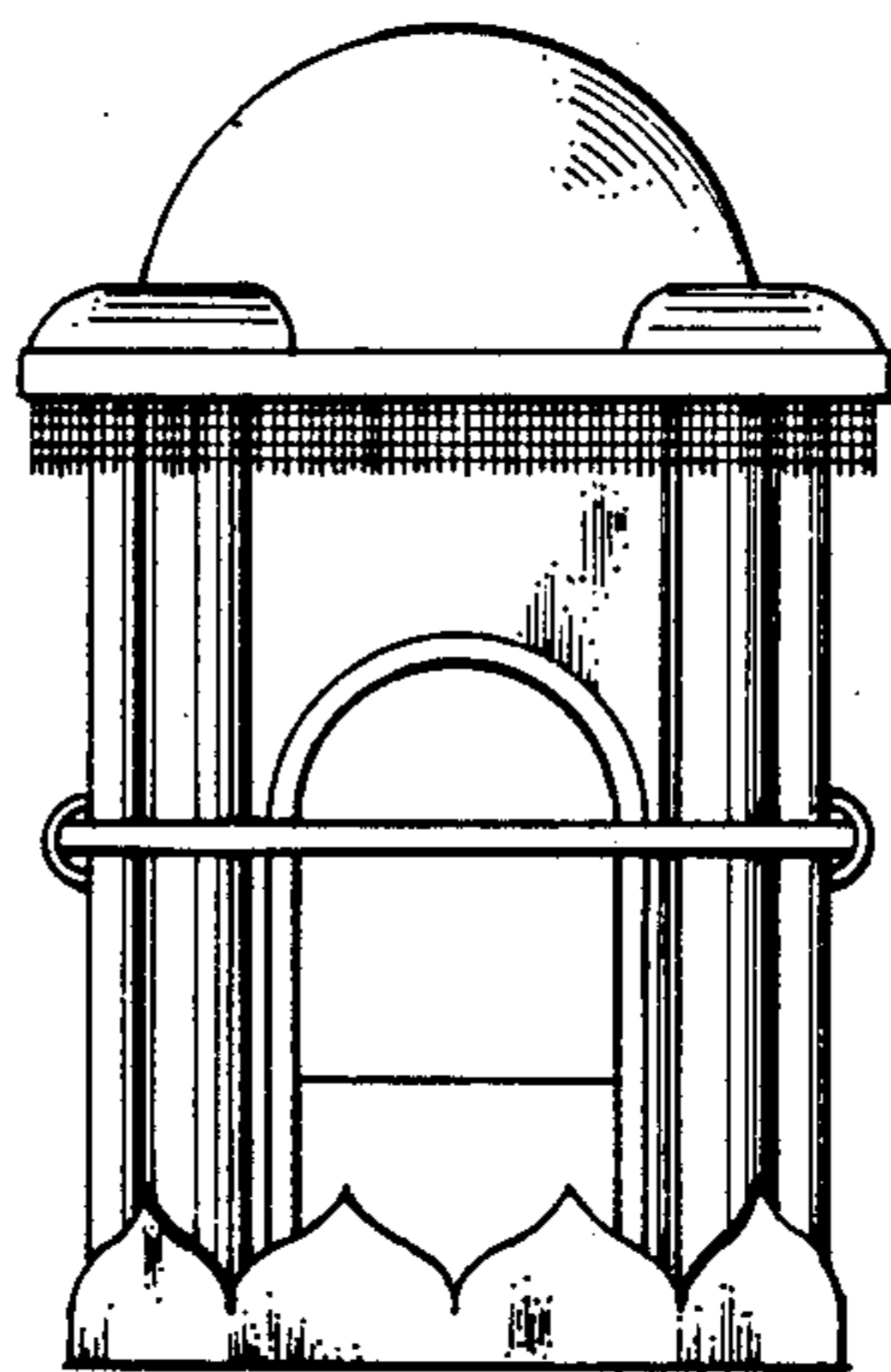


FIG. 2

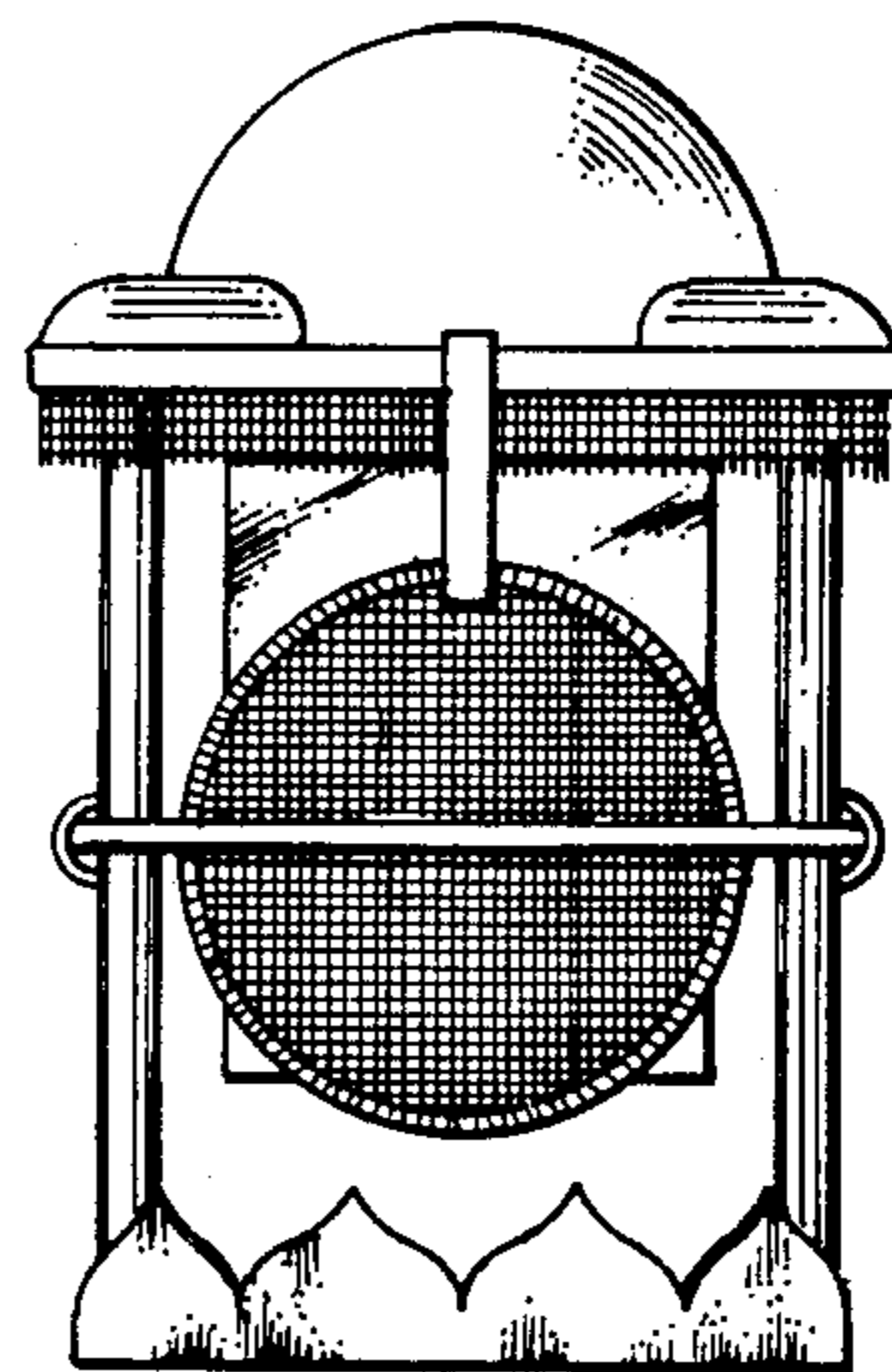


FIG. 3

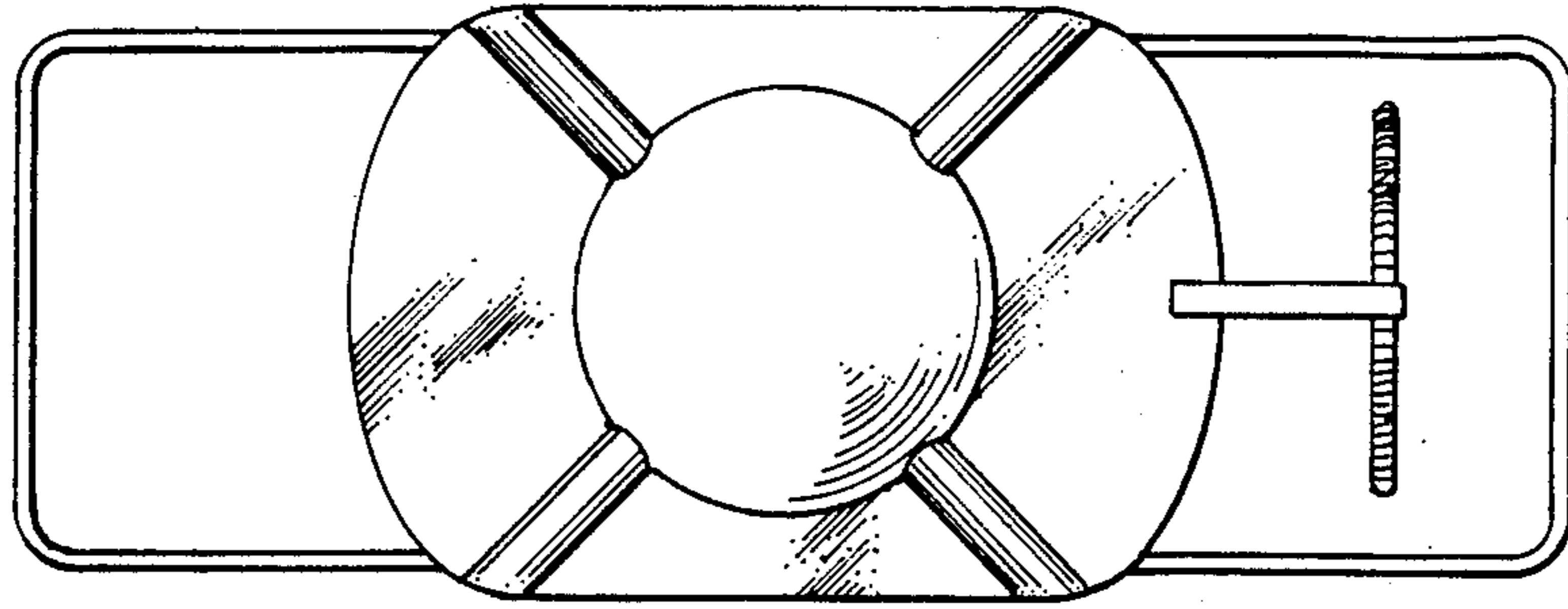


FIG. 4

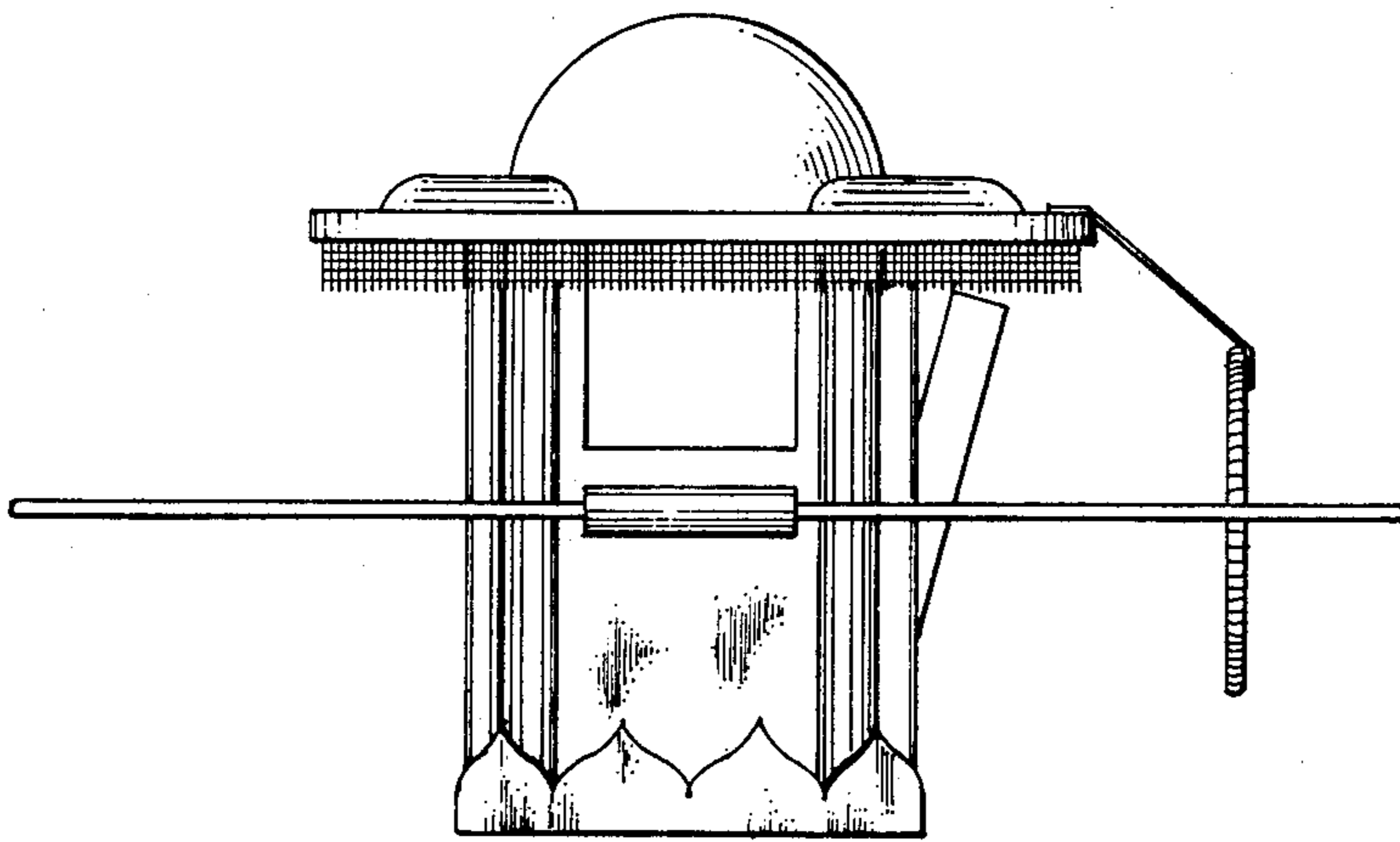


FIG. 5

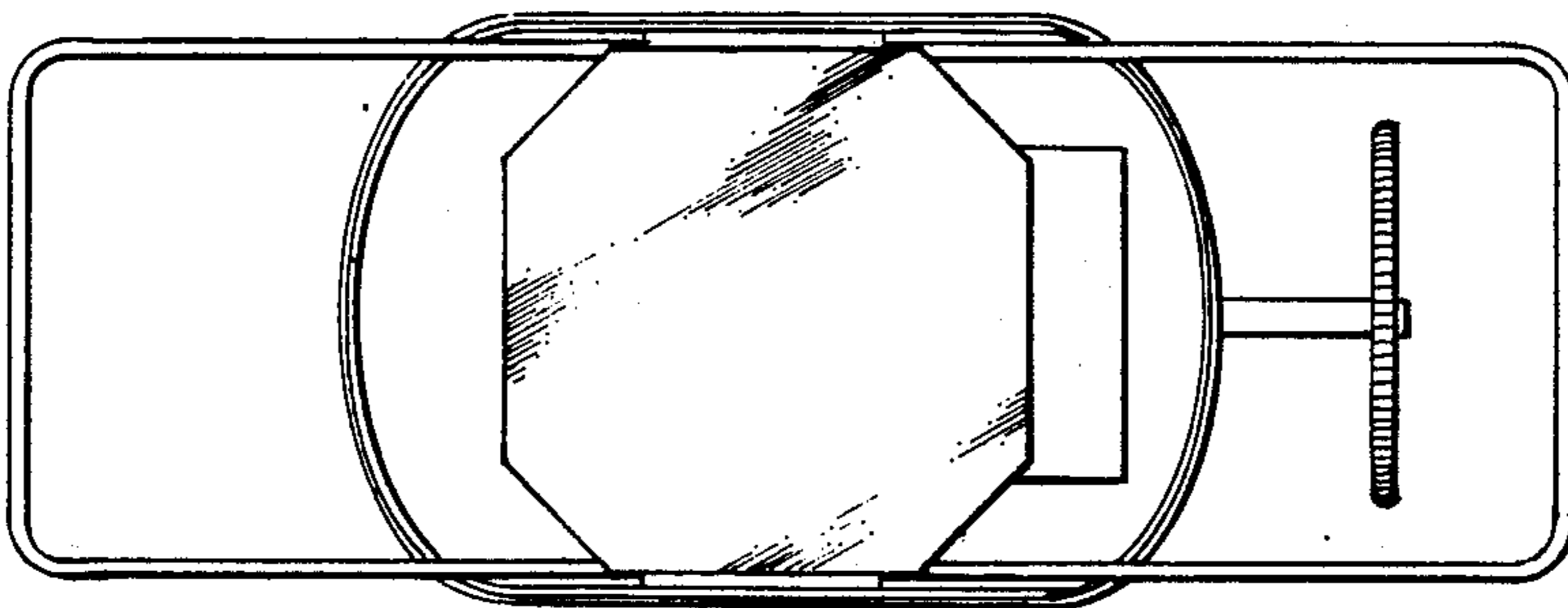


FIG. 6