

[54] SLIDER FOR SLIDE FASTENER

[75] Inventor: Tsunetaka Aoki, Toyama, Japan

[73] Assignee: Yoshida Kogyo K. K., Tokyo, Japan

[**] Term: 14 Years

[21] Appl. No.: 112,427

[22] Filed: Oct. 26, 1987

[52] U.S. Cl. D11/221

[58] Field of Search D11/200, 201, 221;
24/381, 385, 415, 417, 427-431

[56] References Cited

U.S. PATENT DOCUMENTS

- D. 291,546 8/1987 Oda D11/221
- 2,299,846 8/1939 Poux D11/221

Primary Examiner—Louis S. Zarfes

Assistant Examiner—R. T. Seifert

Attorney, Agent, or Firm—Hill, Van Santen, Steadman & Simpson

[57] CLAIM

The ornamental design for slider for slide fastener, as shown and described.

DESCRIPTION

FIG. 1 is a front elevational view of a slider for slide fastener showing my new design;

FIG. 2 is a rear elevational view;

FIG. 3 is a bottom plan view thereof;

FIG. 4 is a top plan view thereof;

FIG. 5 is a right side elevational view; and

FIG. 6 is a cross-sectional view taken on line 6—6.

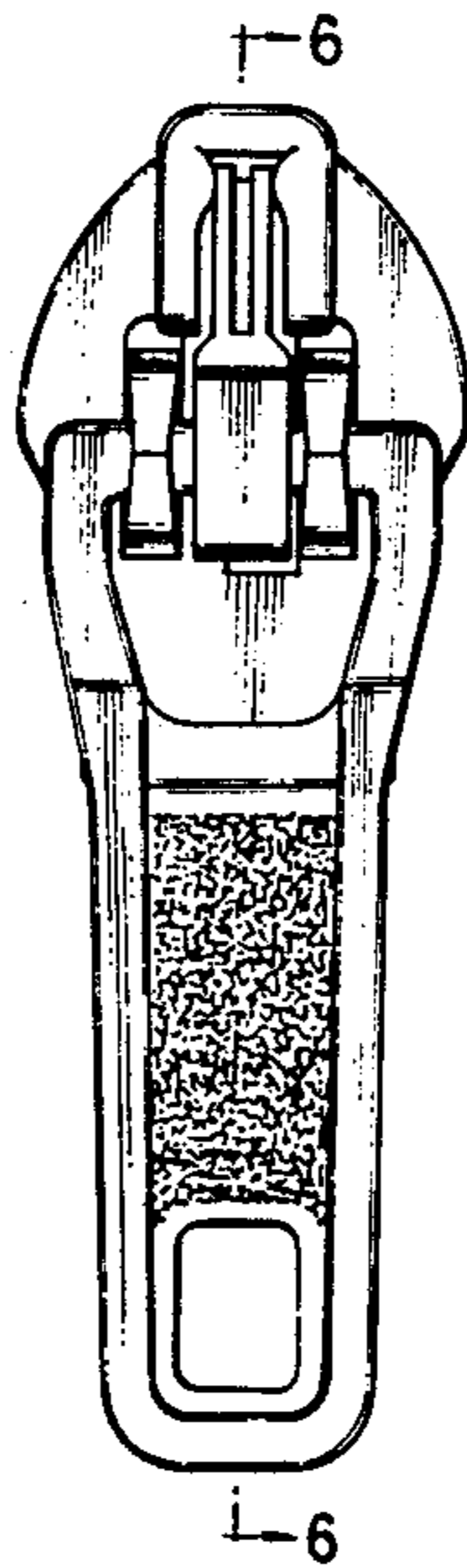


FIG. 1

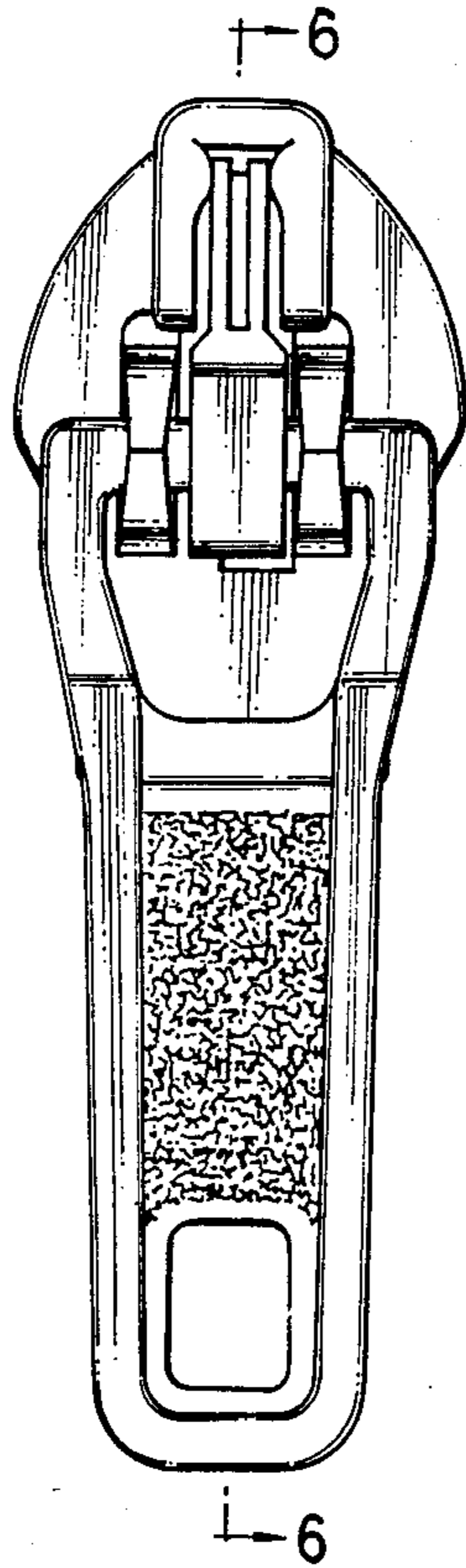


FIG. 2

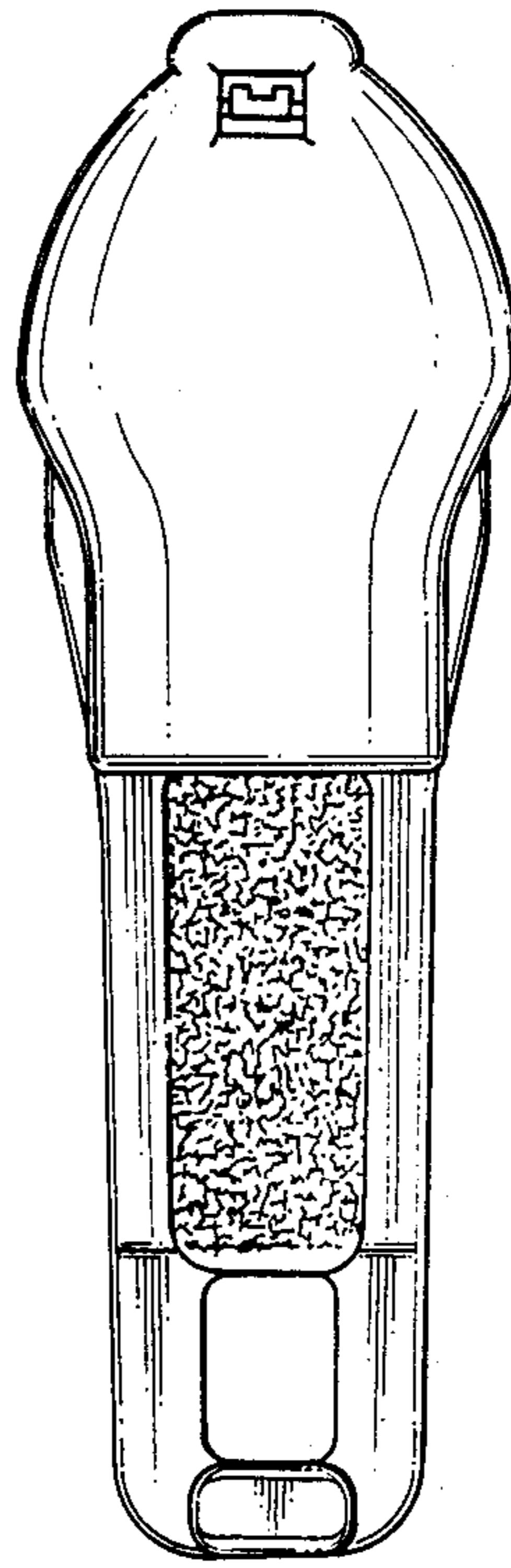


FIG. 3

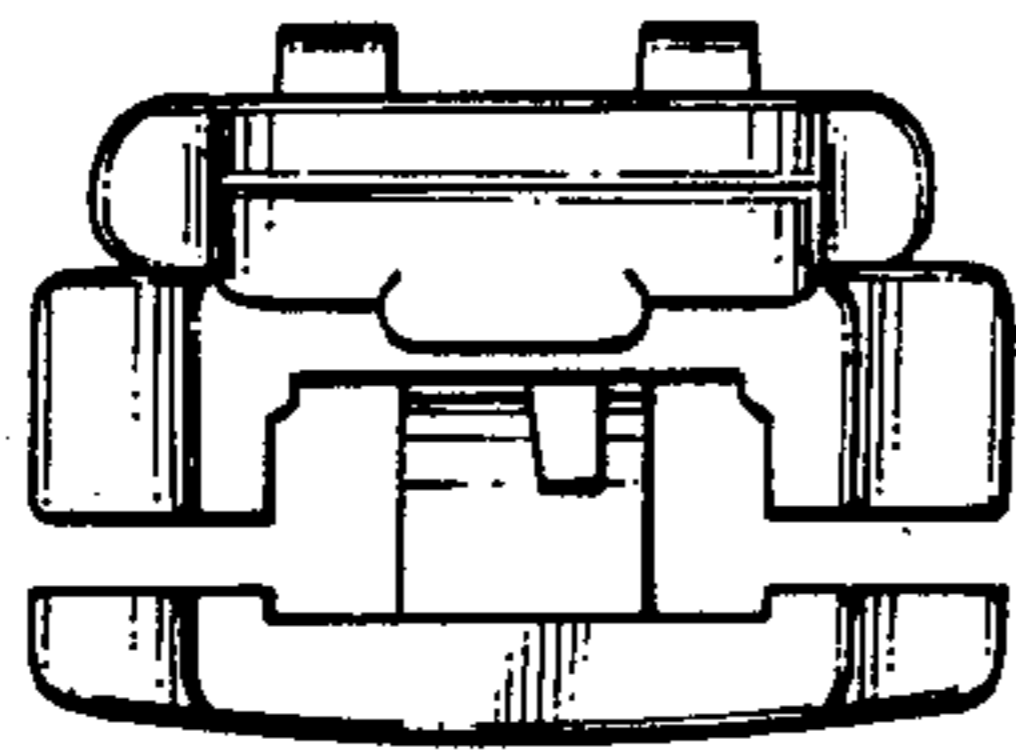


FIG. 4

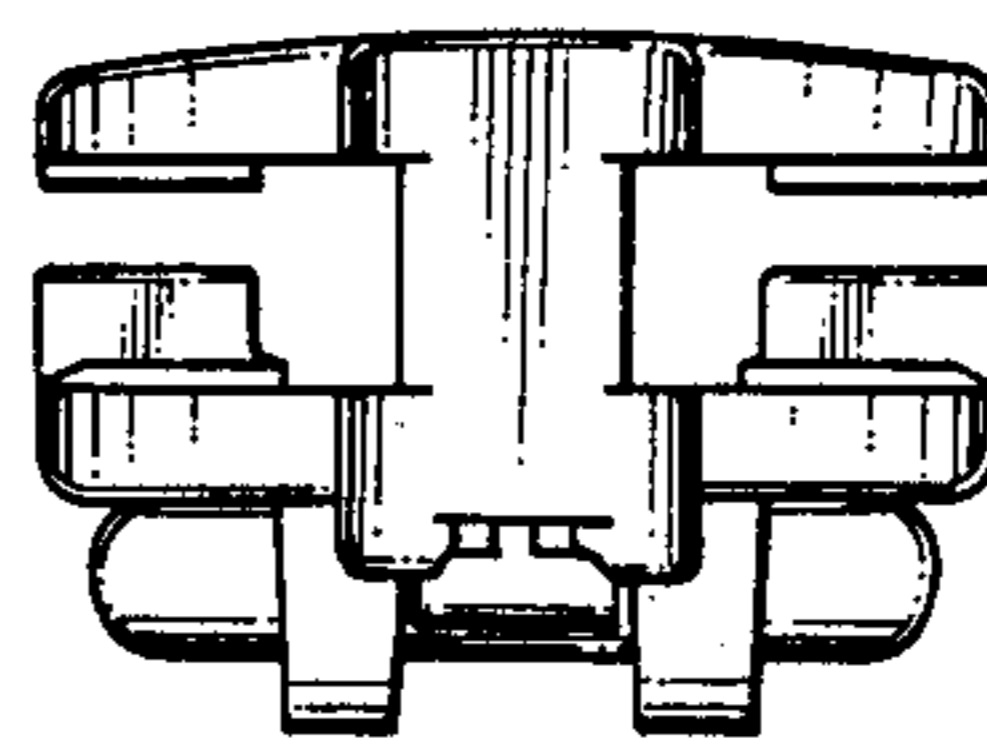


FIG. 5

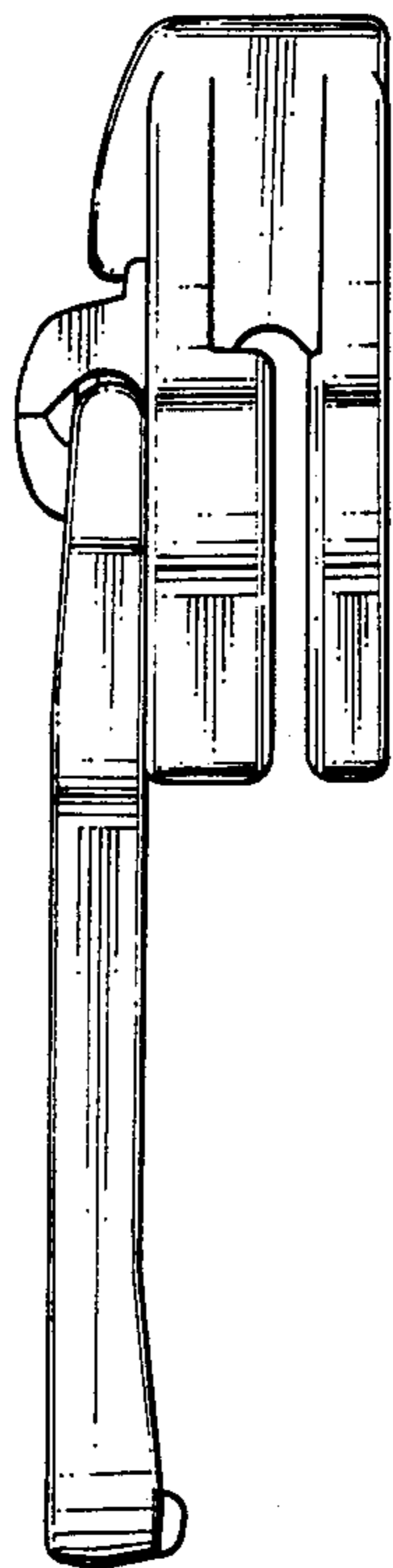


FIG. 6

