

United States Patent [19]

Heary

[11] Patent Number: **Des. 305,104**

[45] Date of Patent: **** Dec. 19, 1989**

- [54] **LIGHTNING ARRESTER**
[75] Inventor: **Kenneth P. Heary, Springville, N.Y.**
[73] Assignee: **Heary Bros. Lightening Protection Co., Inc., Springville, N.Y.**
[**] Term: **14 Years**
[21] Appl. No.: **32,701**
[22] Filed: **Apr. 1, 1987**
[52] U.S. Cl. **D10/105**
[58] Field of Search **D10/105; 361/111, 117, 361/118, 119, 93, 85, 86, 87**

- 3,896,342 7/1975 Puget 361/117
4,016,462 4/1977 Pavliny 361/117
4,447,847 5/1984 Drulard 361/117

Primary Examiner—Wallace R. Burke *
Assistant Examiner—Marcus Jackson
Attorney, Agent, or Firm—Bean, Kauffman & Spencer

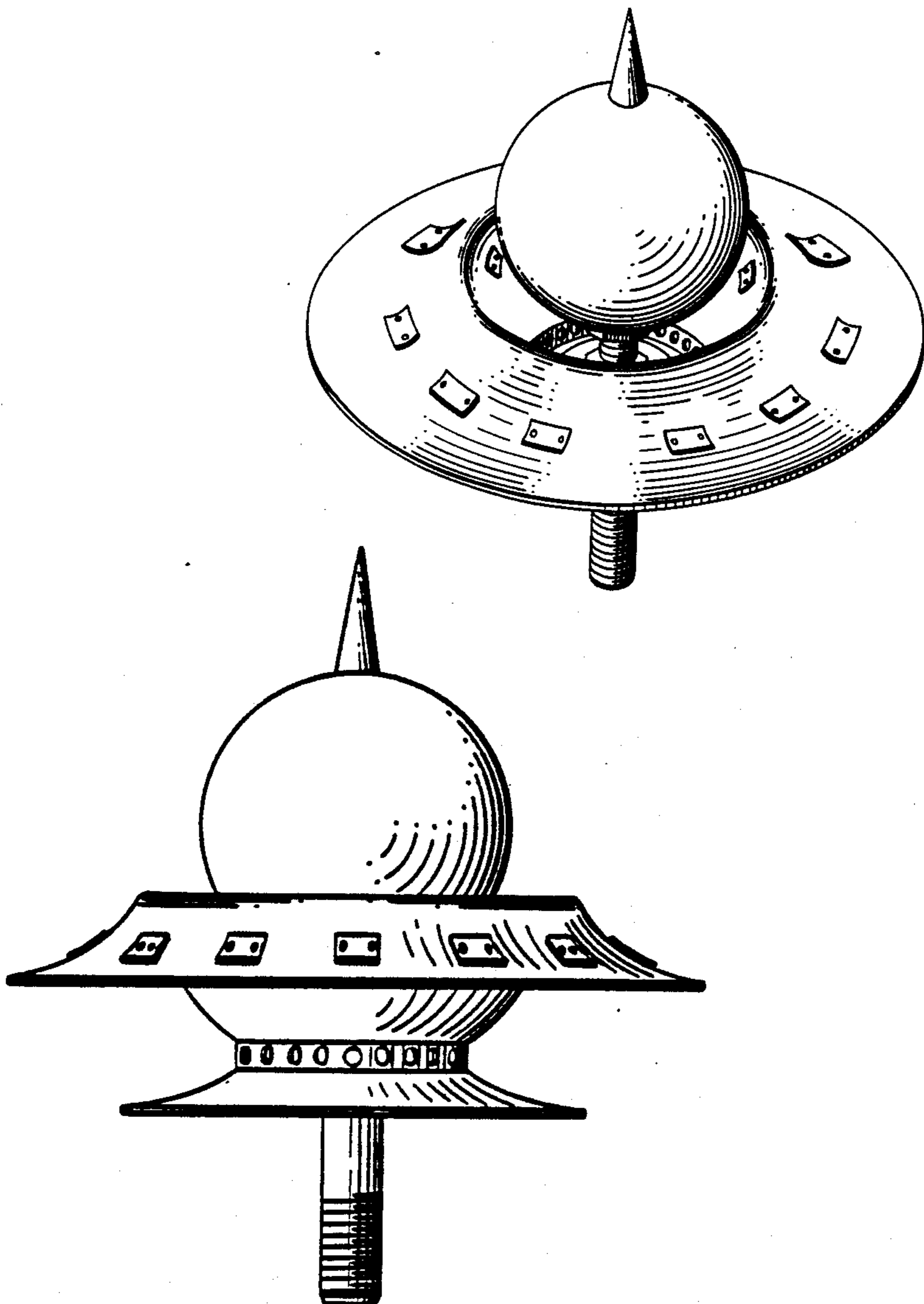
[57] CLAIM

The ornamental design for a lightning arrester, as shown and described.

DESCRIPTION

FIG. 1 is a top perspective view of a lightning arrester, showing my new design;
FIG. 2 is a side elevational view thereof, all sides thereof being a mirror image of that shown;
FIG. 3 is a top plan view thereof; and
FIG. 4 is a bottom plan view thereof.

- [56] **References Cited**
U.S. PATENT DOCUMENTS
2,128,408 8/1938 Grenier 361/117
3,662,083 5/1972 Constant 361/117



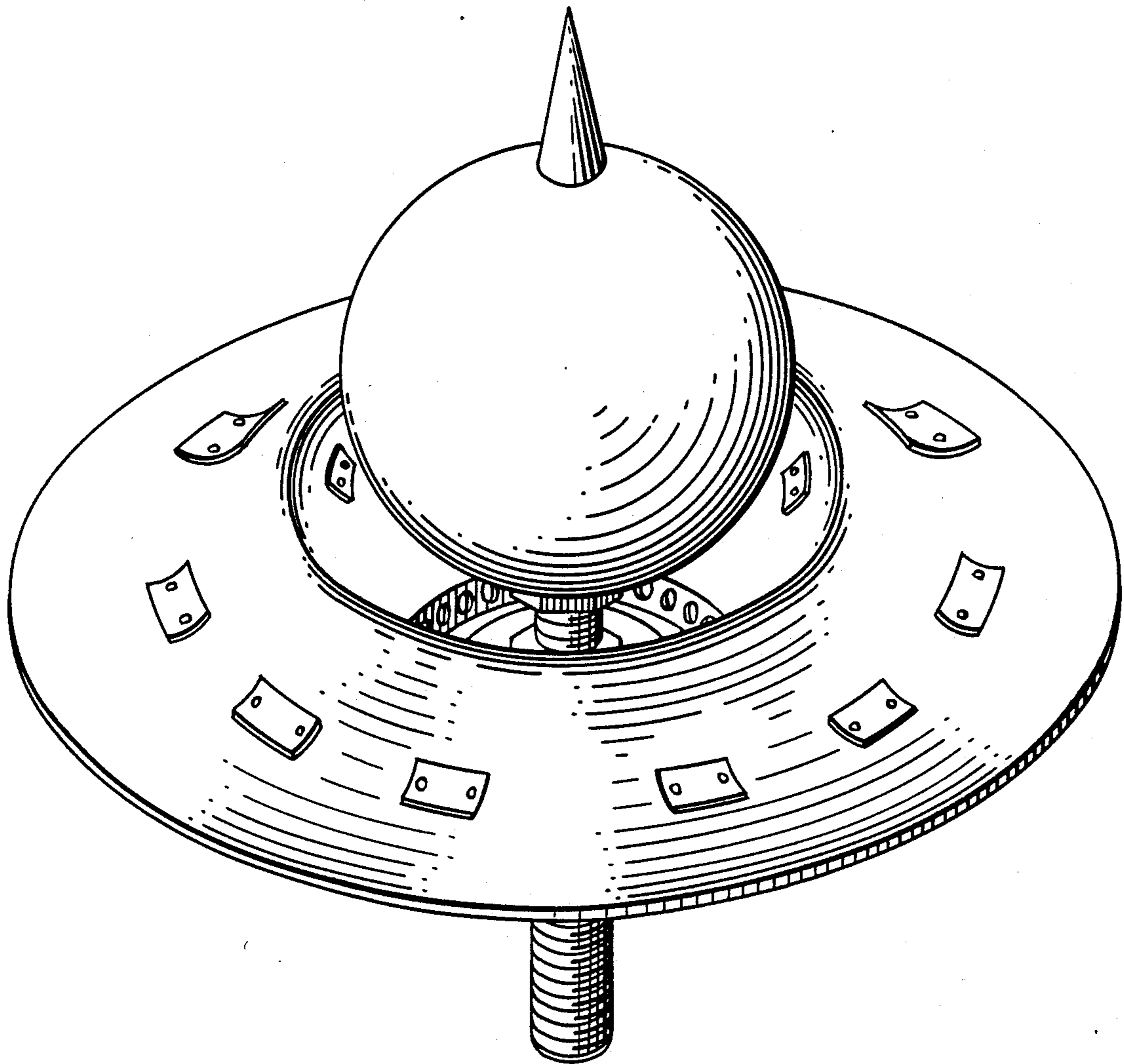


Fig. 3.

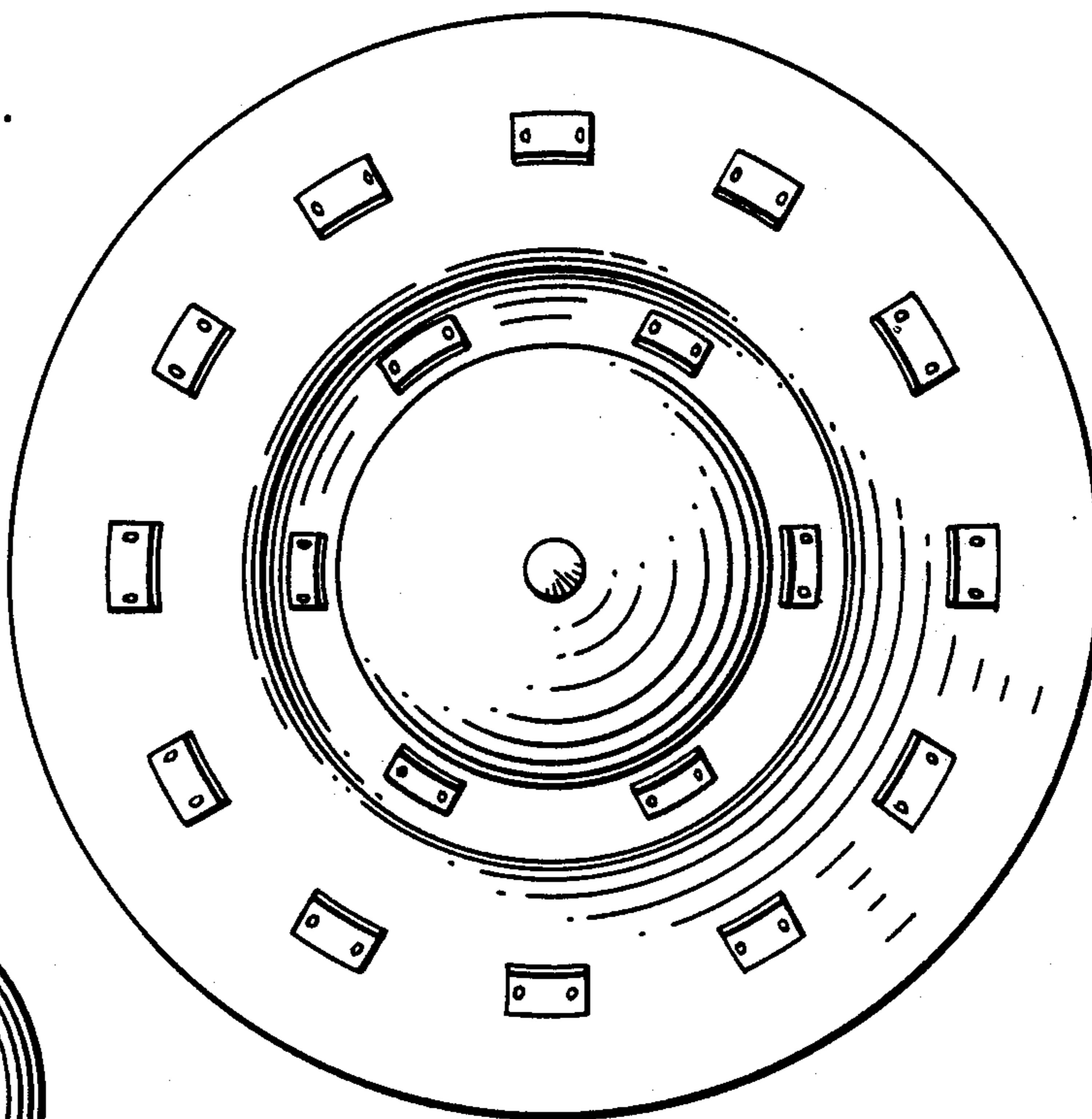


Fig. 2.

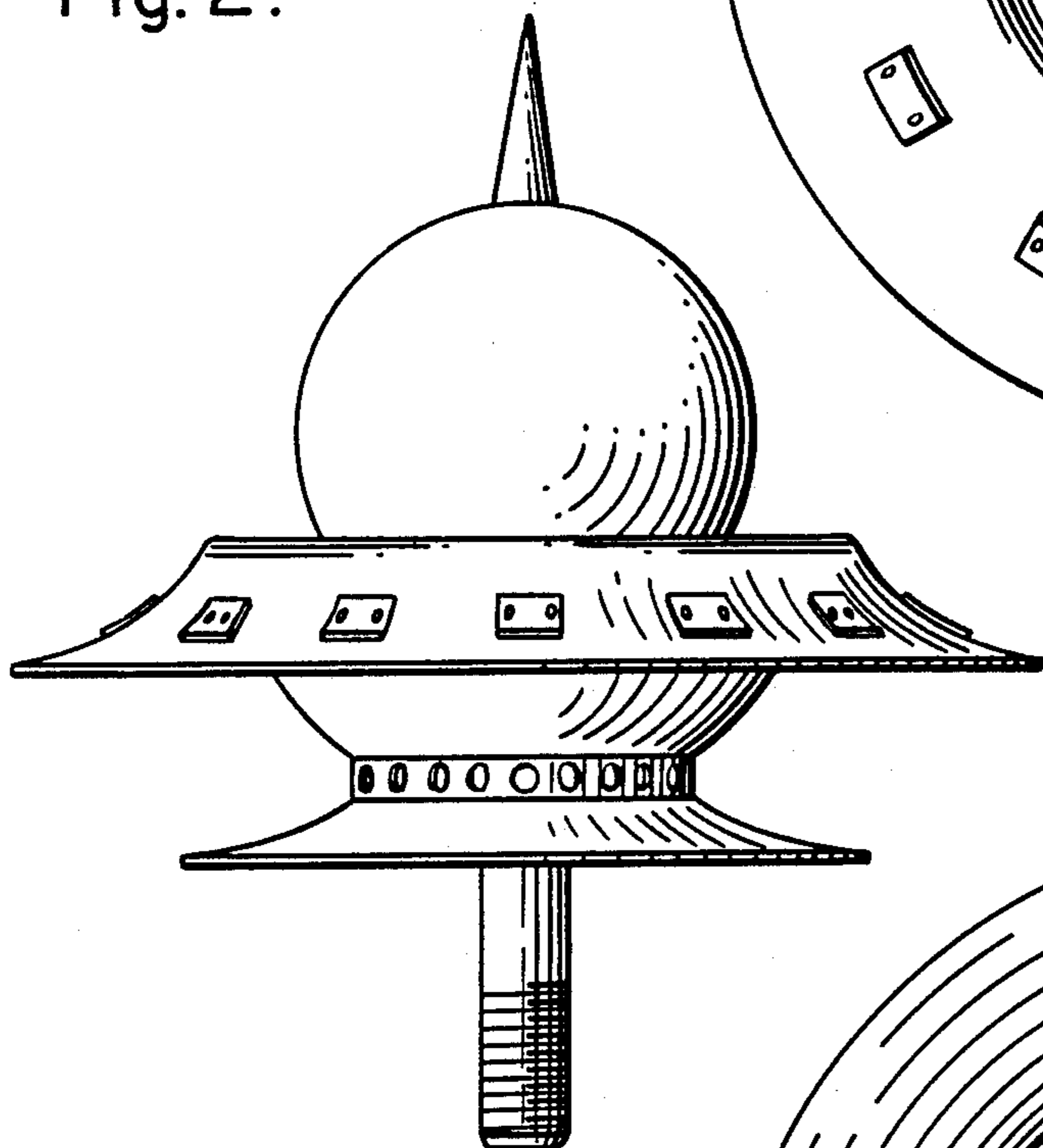
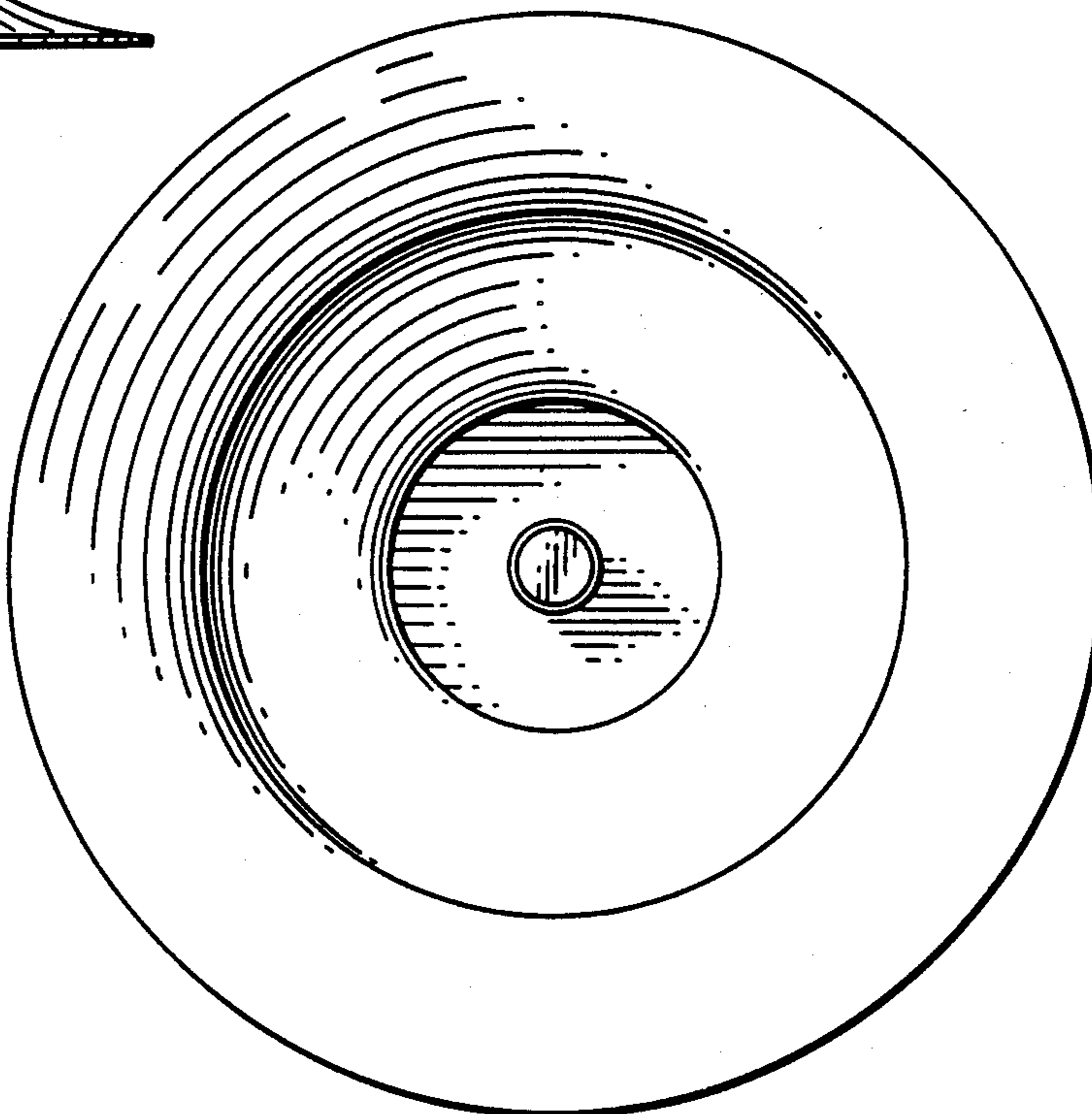


Fig. 4.



UNITED STATES PATENT AND TRADEMARK OFFICE
CERTIFICATE OF CORRECTION

PATENT NO. : D305,104

DATED : December 19, 1989

INVENTOR(S) : Kenneth P. Heary

It is certified that error appears in the above-identified patent and that said Letters Patent is hereby corrected as shown below:

Cover Page, line [73] - "Lightening" should be
--Lightning--.

Signed and Sealed this
Twenty-sixth Day of February, 1991

Attest:

Attesting Officer

HARRY F. MANBECK, JR.

Commissioner of Patents and Trademarks