

United States Patent [19]

Paulin

[11] Patent Number: Des. 305,100

[45] Date of Patent: ** Dec. 19, 1989

[54] WATCH BAND MEDICATION CONTAINER

[76] Inventor: Robert E. Paulin, 2575 E. Thompson Rd., Langley, Wash. 98260

[**] Term: 14 Years

[21] Appl. No.: 888,985

[22] Filed: Jul. 24, 1986

[52] U.S. Cl. D9/324

[58] Field of Search D3/30.1; D10/122; D9/449, 31; D11/2; 224/267

[56] References Cited

U.S. PATENT DOCUMENTS

D. 269,546 6/1983 Rogers et al. D24/17

Primary Examiner—Bernard Ansher

Assistant Examiner—David Jeo

Attorney, Agent, or Firm—Terry M. Gernstein

[57] CLAIM

The ornamental design for a watch band medication container, as shown and described.

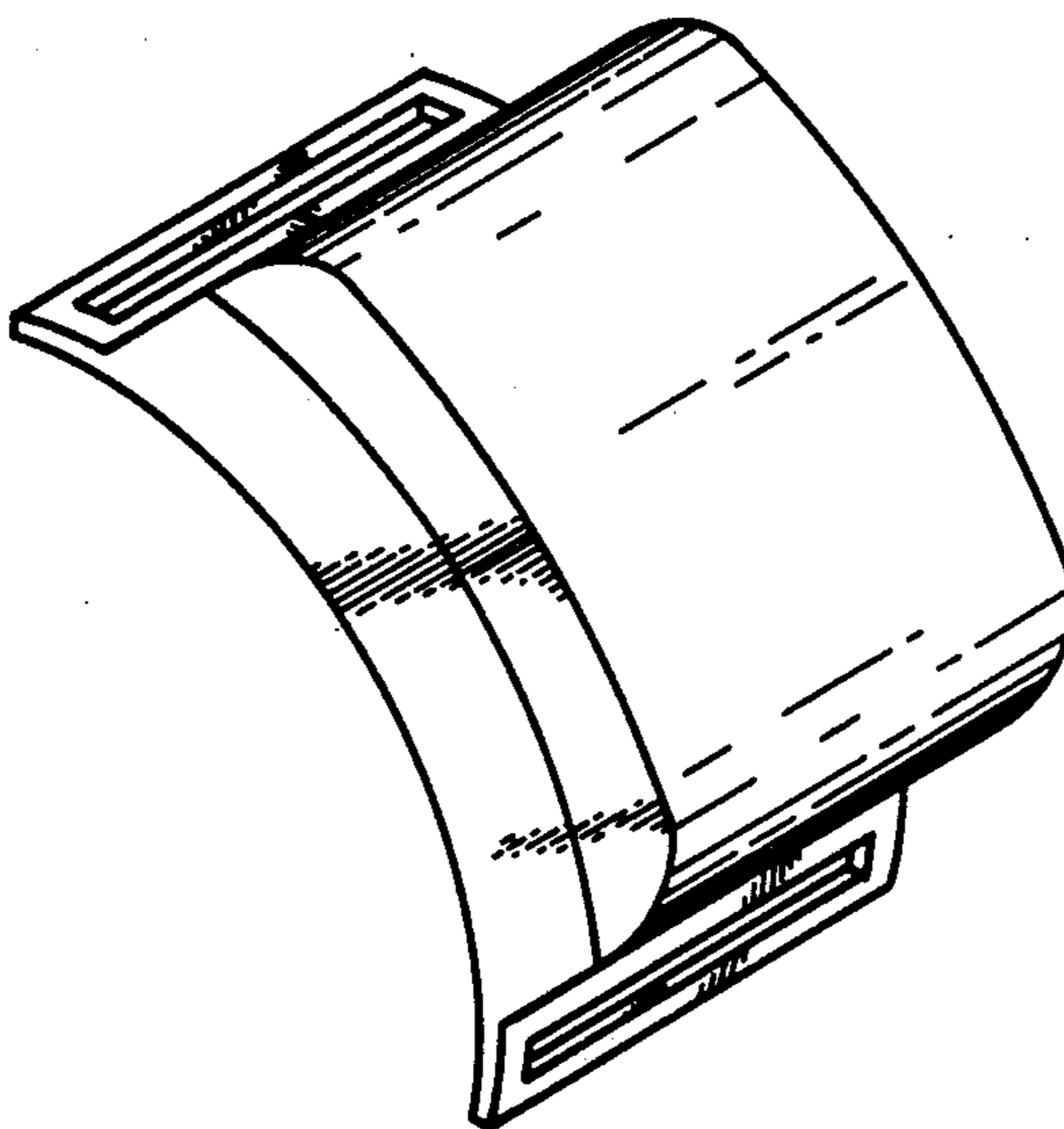
DESCRIPTION

FIG. 1 is a perspective view of a watch band medication container showing my new and ornamental design.

FIG. 2 is a side elevation view thereof.

FIG. 3 is an end elevation view thereof.

FIG. 4 is a top plan view of the container showing the same in an opened position.



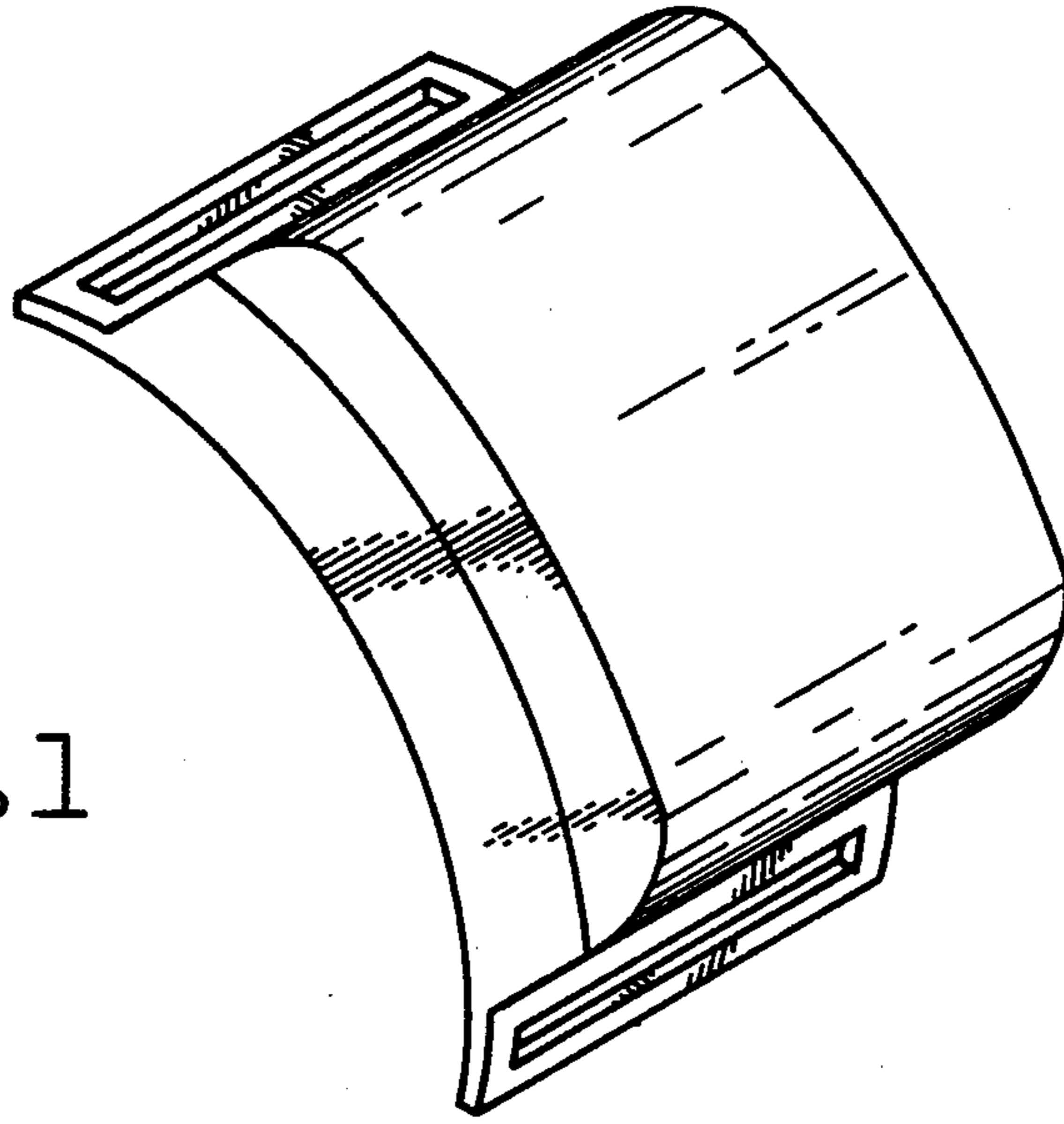


Fig. 1

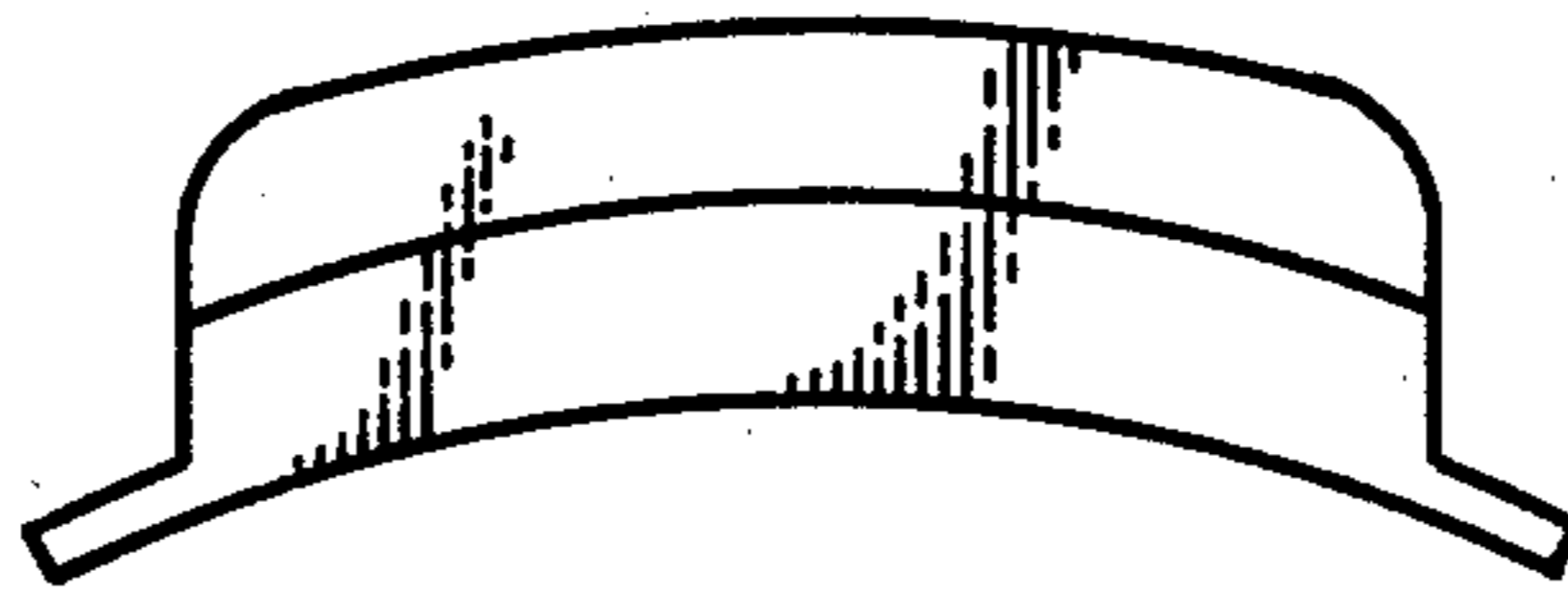


Fig. 2

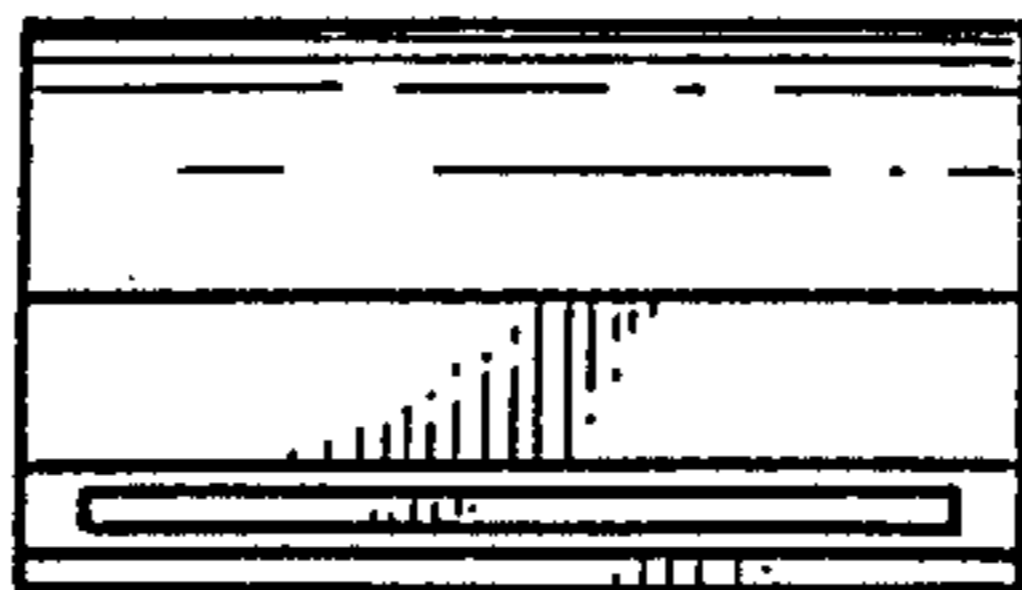


Fig. 3

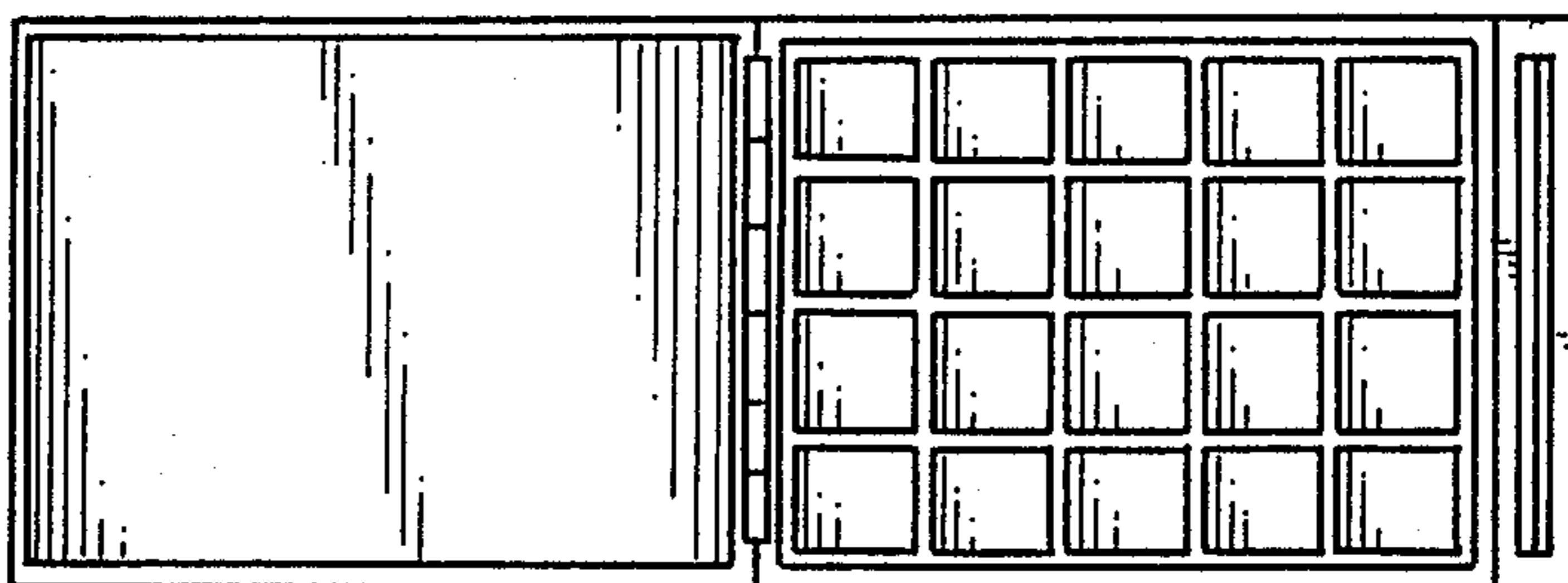


Fig. 4