

[54] CLAMPING STRAP FOR ELECTRICAL WIRES

[75] Inventors: Koji Naruse; Mamoru Ono; Toshio Okazaki, all of Toyota, Japan

[73] Assignee: Yazaki Corporation, Japan

[\*\*] Term: 14 Years

[21] Appl. No.: 118,624

[22] Filed: Nov. 9, 1987

[52] U.S. Cl. .... D8/396; D8/382; D8/394

[58] Field of Search ..... D8/382, 394, 396; 24/16 PB; 248/71, 74.3

[56] References Cited

U.S. PATENT DOCUMENTS

D. 224,960	10/1972	Wilson	.....	D8/396
D. 273,361	4/1984	Suzuki	.....	D8/394
3,463,427	8/1969	Fisher	.....	248/71
3,552,696	1/1971	Orenick et al.	.....	248/71
3,556,575	1/1971	Farkas	.....	292/318
4,705,245	11/1987	Osada	.....	248/71
4,735,387	4/1988	Hirano et al.	.....	248/71

4,784,358 11/1988 Kohut ..... 248/71

Primary Examiner—B. J. Bullock

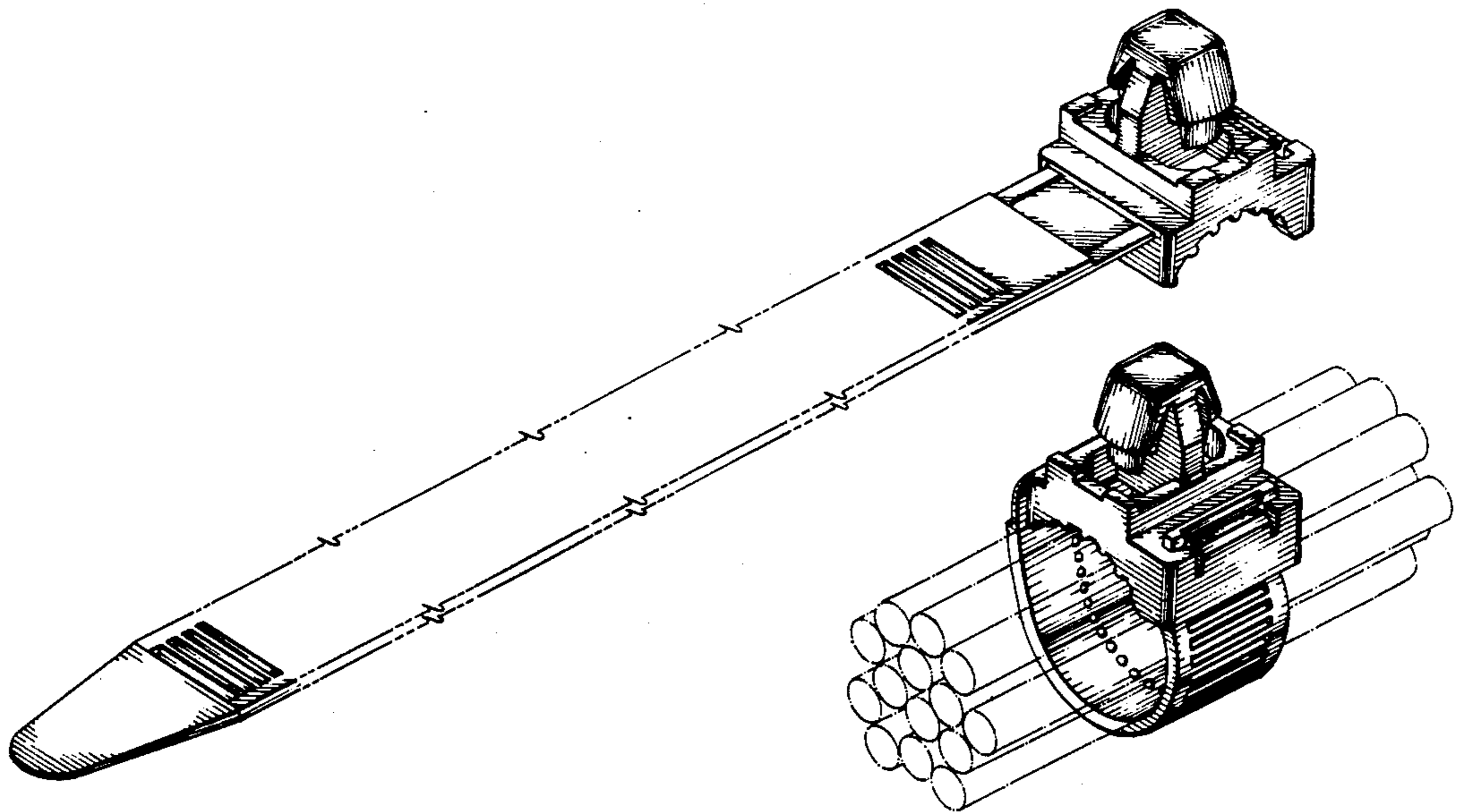
Attorney, Agent, or Firm—Jones, Askew & Lunsford

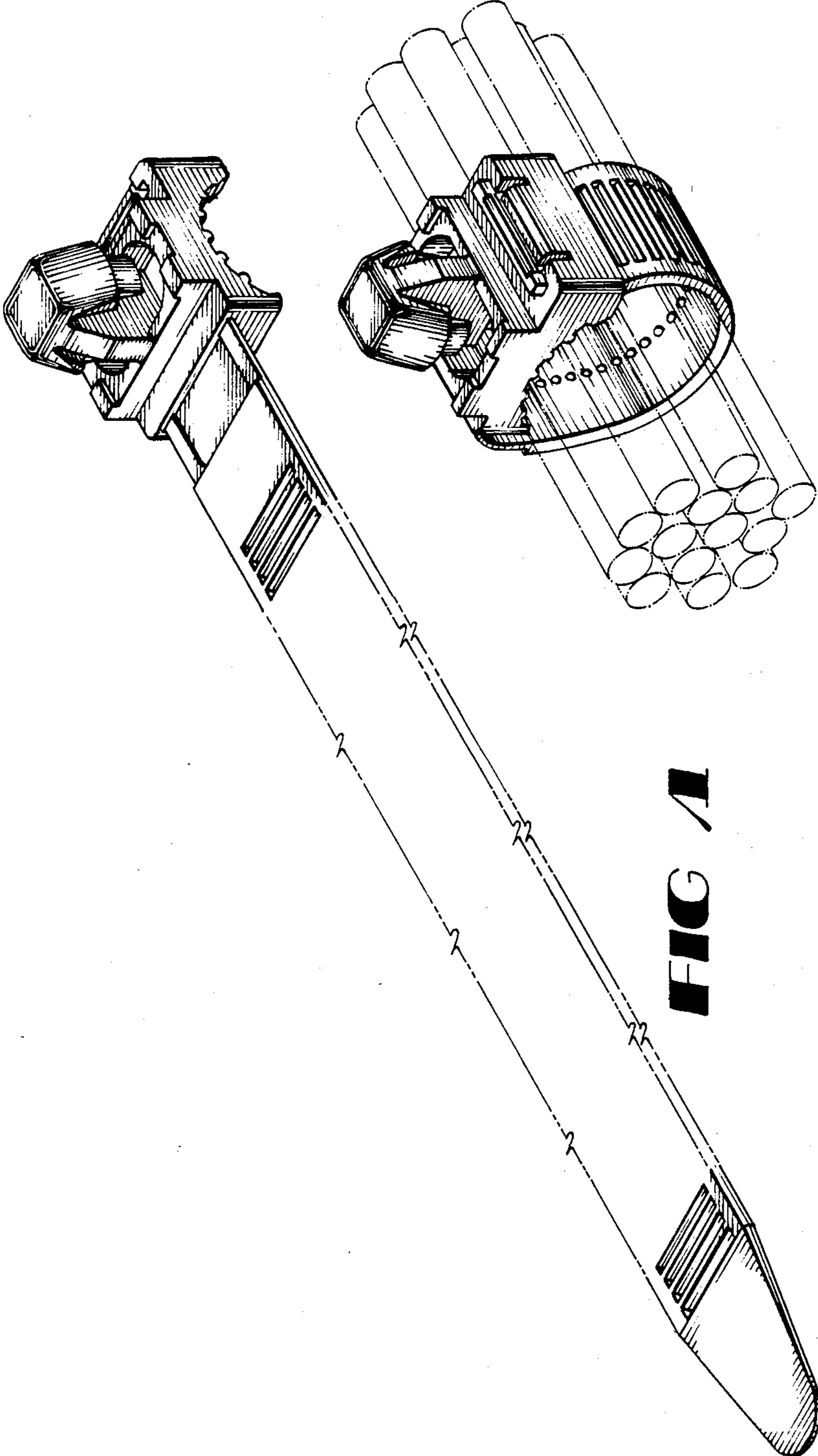
[57] CLAIM

The ornamental design for a clamping strap for electrical wires, as shown and described.

DESCRIPTION

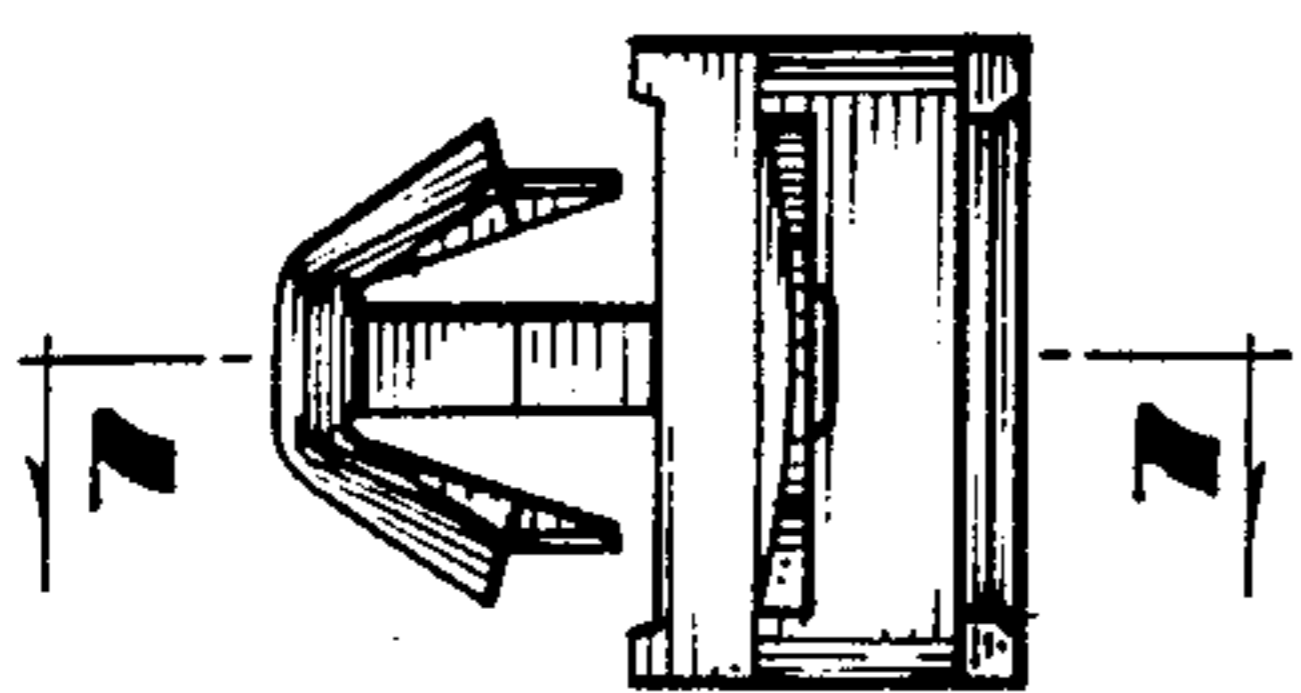
FIG. 1 is a perspective view of a clamping strap for electrical wires showing our new design, the broken lines indicating that the configuration of the strap repeats uniformly along its length; FIG. 2 is a front view thereof; FIG. 3 is a right view thereof; FIG. 4 is a top view thereof; FIG. 5 is a bottom view thereof; FIG. 6 is a rear view thereof; FIG. 7 is a sectional view taken in the direction of the arrows on line 7—7 of FIG. 2; FIG. 8 is a sectional view taken in the direction of the arrows on line 8—8 of FIG. 3; FIG. 9 is a perspective view thereof in its position of use, the bundle of wires being shown in broken lines for illustrative purposes only.



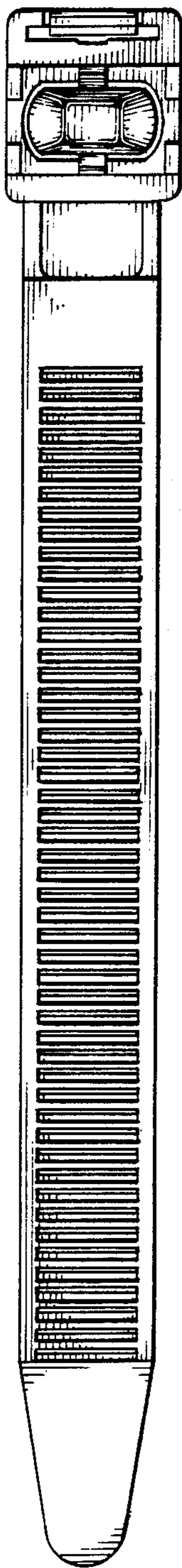


**FIG 1**

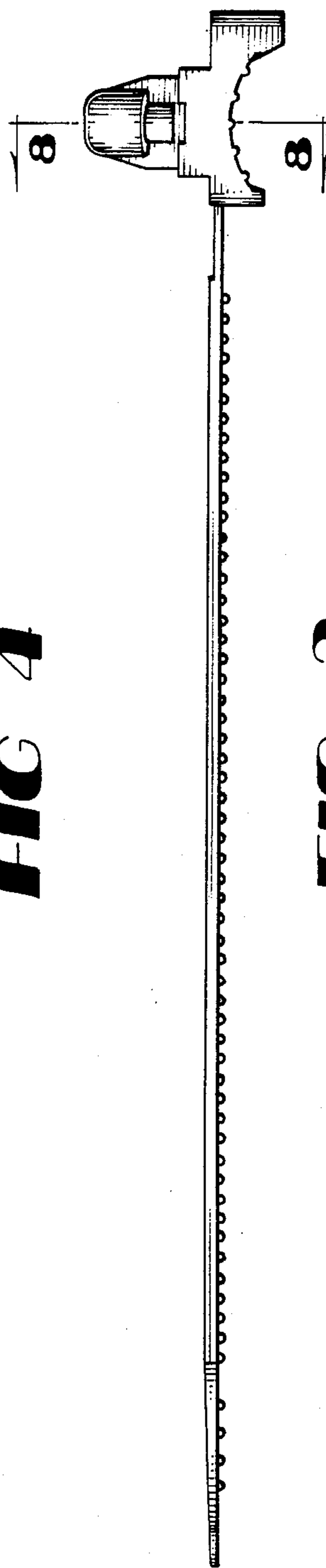
**FIG 9**



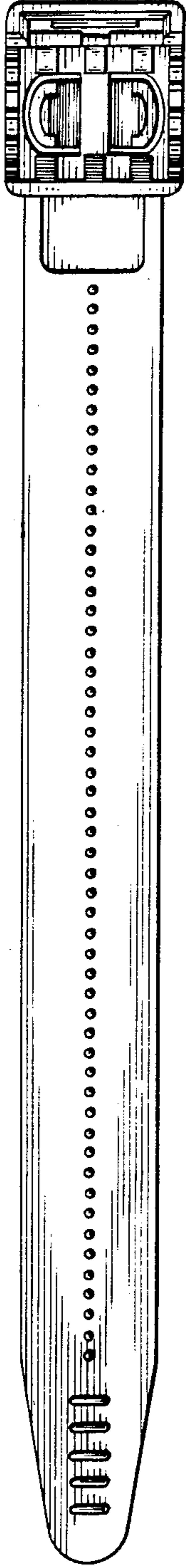
**FIG 2**



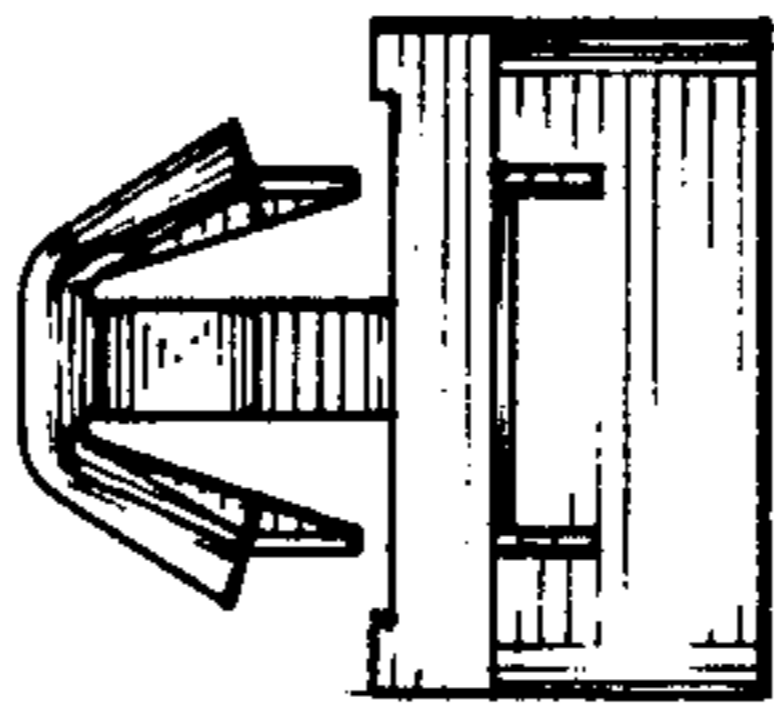
**FIG 4**



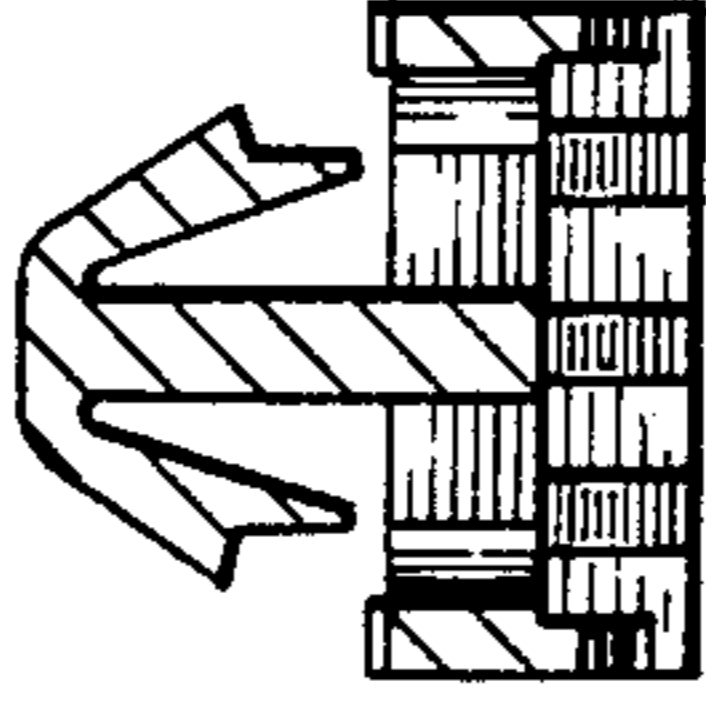
**FIG 3**



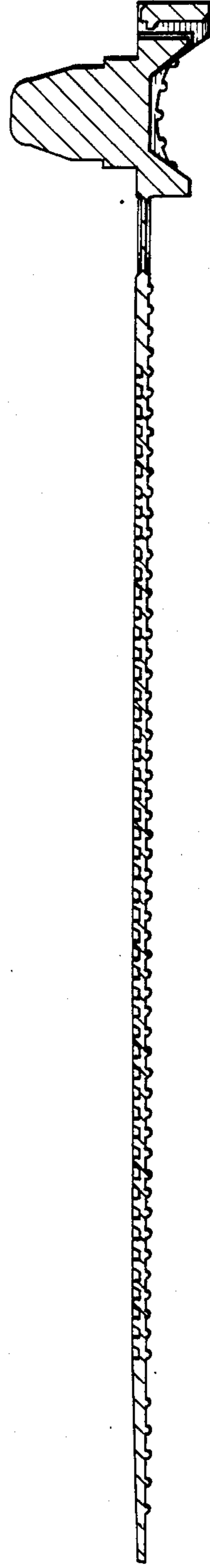
**FIG 5**



**FIG 6**



**FIG 8**



**FIG 7**