

United States Patent [19]

Tench et al.

[11] Patent Number: **Des. 305,096**

[45] Date of Patent: **** Dec. 19, 1989**

[54] **RETRACTABLE BLADE KNIFE**

[75] Inventors: **Wallace Tench; Christopher Collins; Cvetan Petroff**, all of South Yarra; **Gordon Bremner, Olinda**, all of Australia

[73] Assignee: **McPherson's Limited, Australia**

[**] Term: **14 Years**

[21] Appl. No.: **48,391**

[22] Filed: **May 11, 1987**

[30] **Foreign Application Priority Data**

Nov. 12, 1986 [AU] Australia 7431/86

[52] U.S. Cl. **D8/99; D8/107**

[58] Field of Search **D8/4, 95-102, D8/107; 30/161, 329-339, 340, 294, 314, 162; 7/158**

[56] **References Cited**

U.S. PATENT DOCUMENTS

D,237,354 10/1975 Gerson et al. D8/107

4,226,020 10/1980 Quenot et al. 30/162
4,660,284 4/1987 Decarolis 30/161

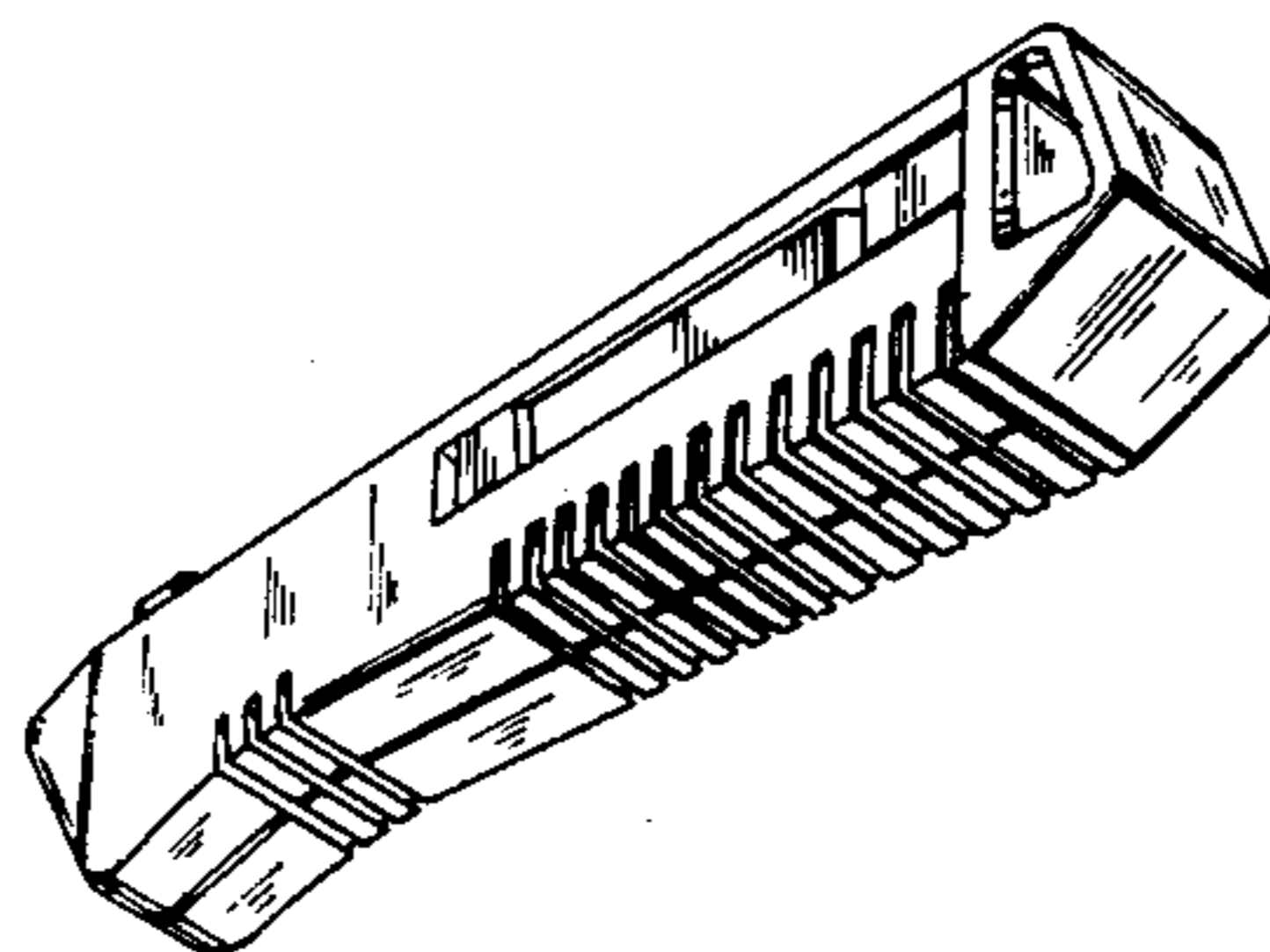
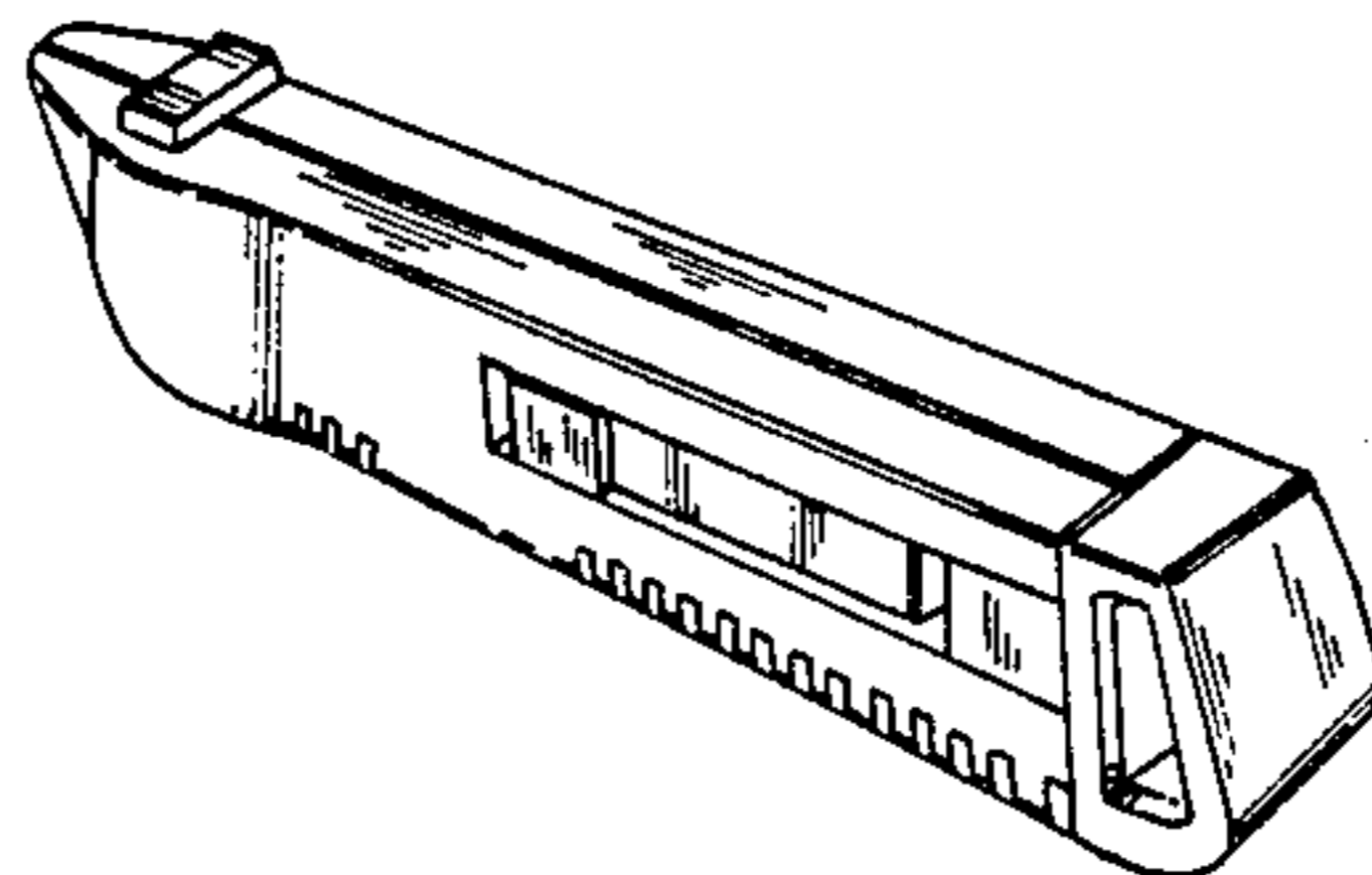
Primary Examiner—Bruce W. Dunkins
Assistant Examiner—Clare E. Heflin
Attorney, Agent, or Firm—Lerner, David, Littenberg, Krumholz & Mentlik

[57] **CLAIM**

The ornamental design for a retractable blade knife, as shown and described.

DESCRIPTION

FIG. 1 is a side elevational view of the retractable blade knife showing our new design;
FIG. 2 is an opposite side elevational view thereof;
FIG. 3 is a side elevational view thereof with the blade shown extended;
FIG. 4 is an opposite side elevational view thereof with the blade shown extended;
FIG. 5 is a top plan view thereof;
FIG. 6 is a bottom plan view thereof;
FIG. 7 is a top, rear perspective view thereof;
FIG. 8 is a bottom, rear perspective view thereof.



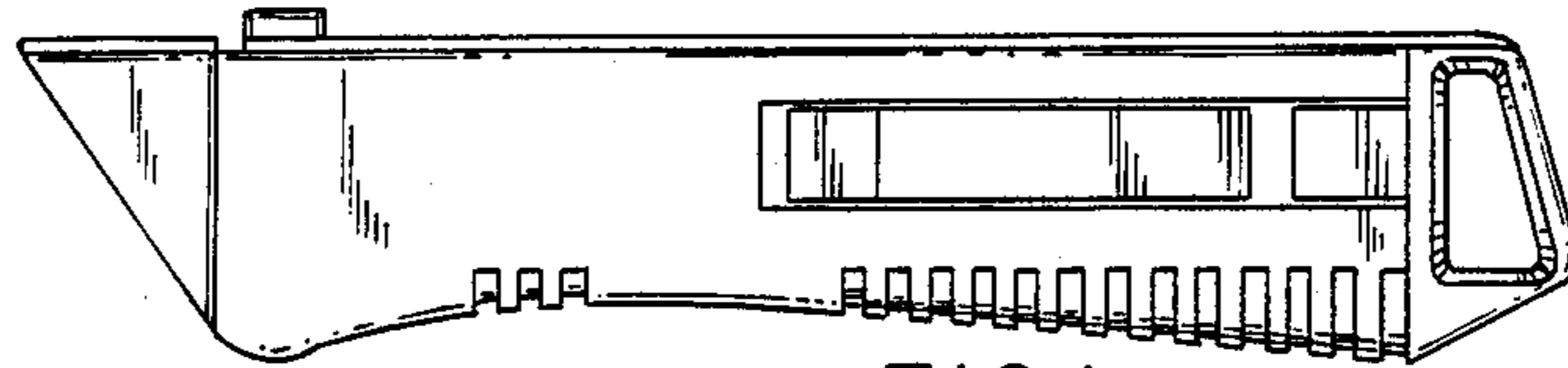


FIG. 1

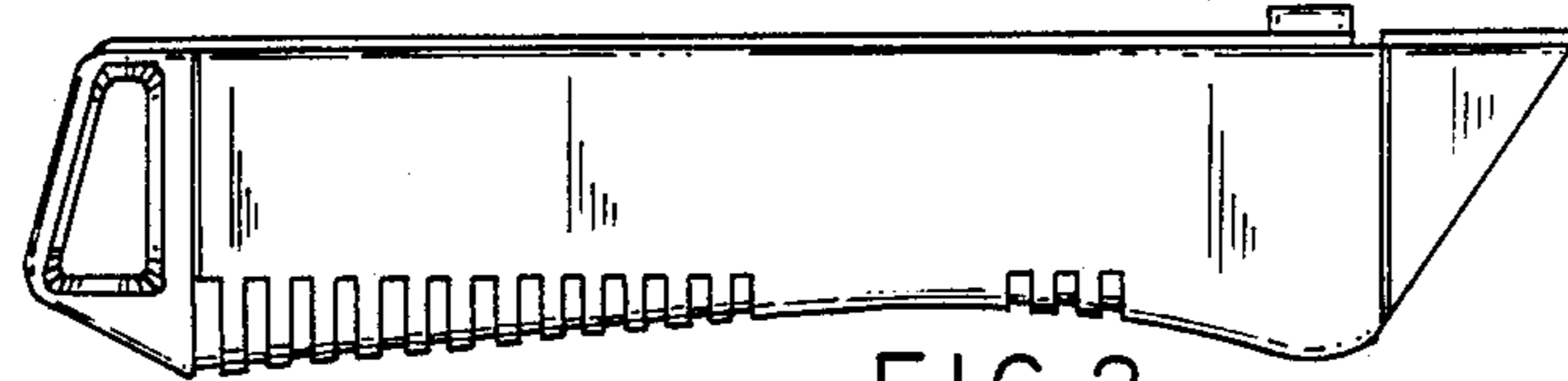


FIG. 2

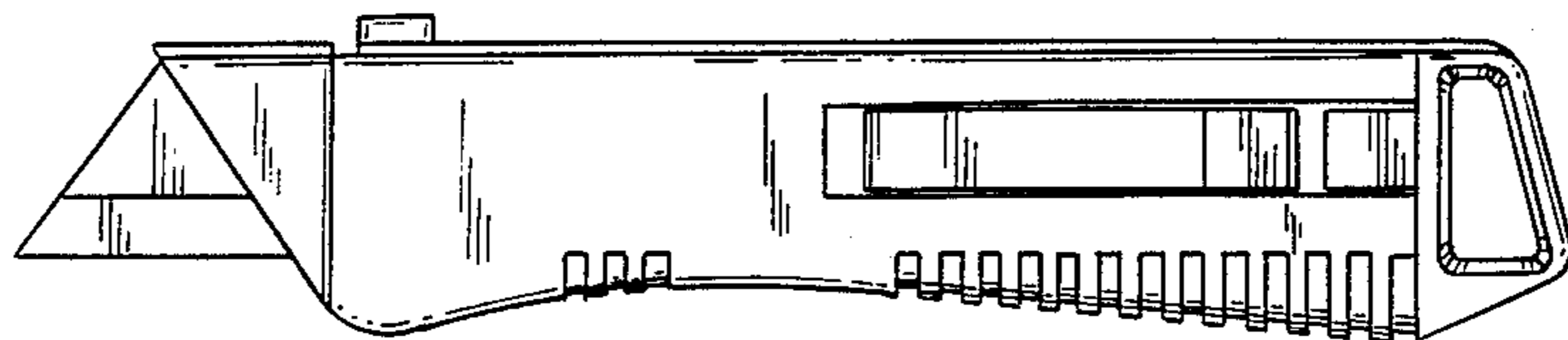


FIG. 3

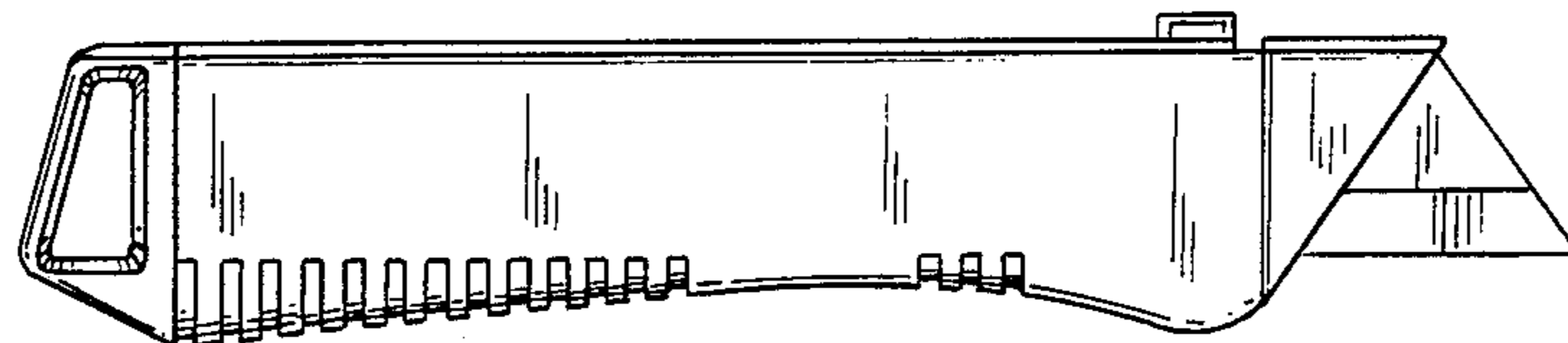


FIG. 4

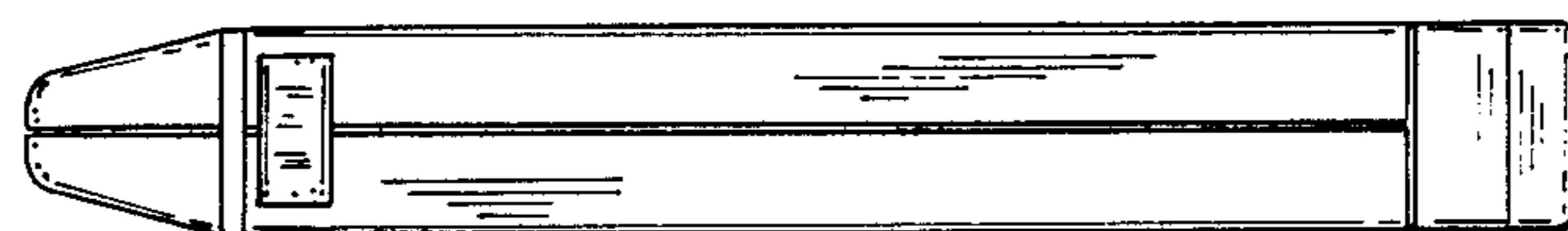


FIG. 5

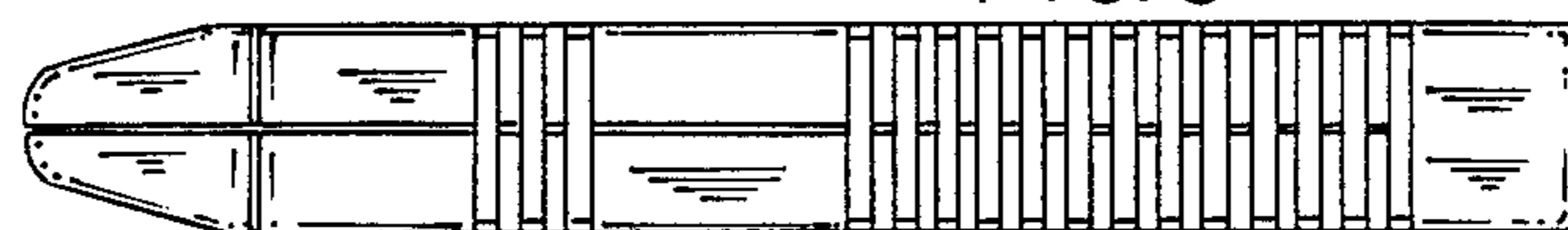


FIG. 6

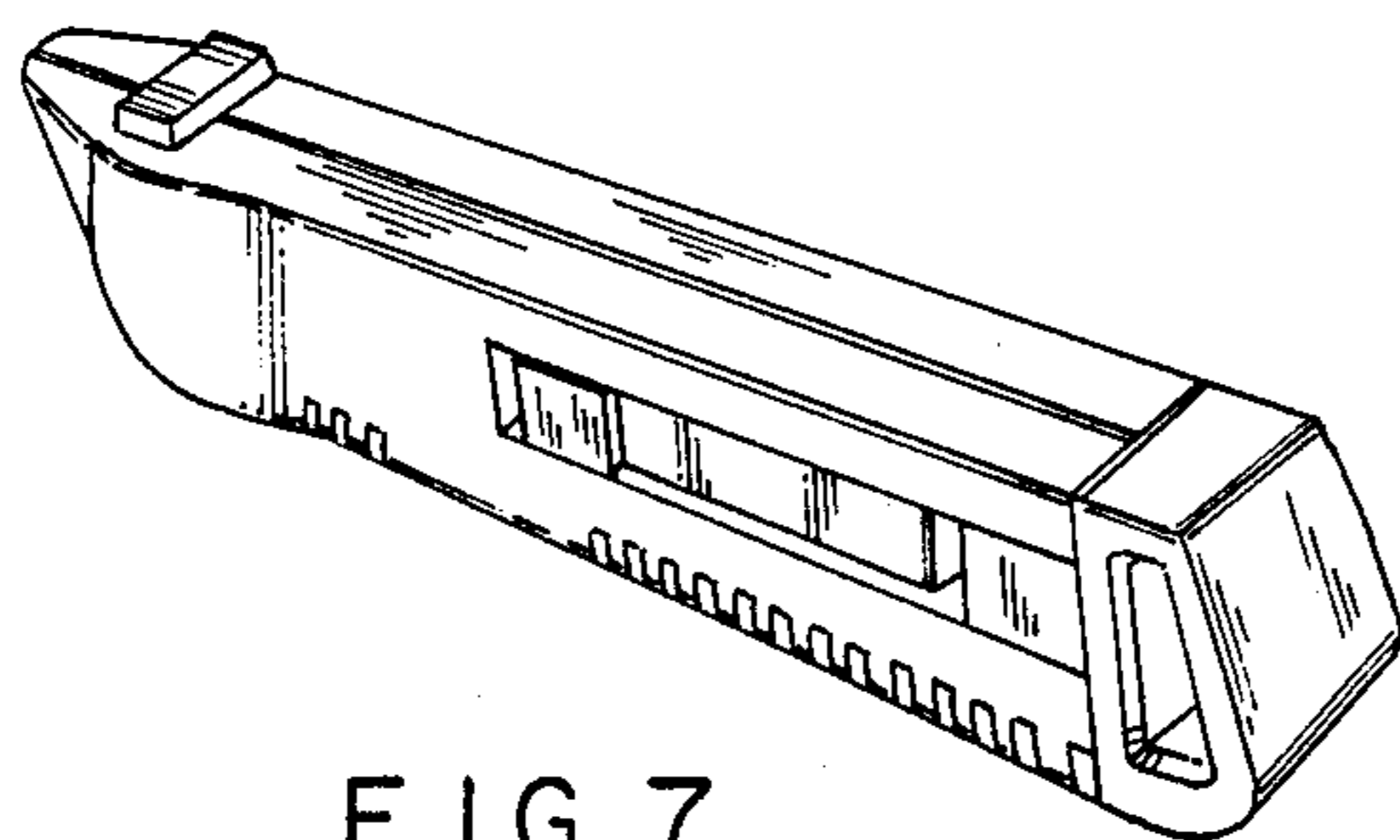


FIG. 7

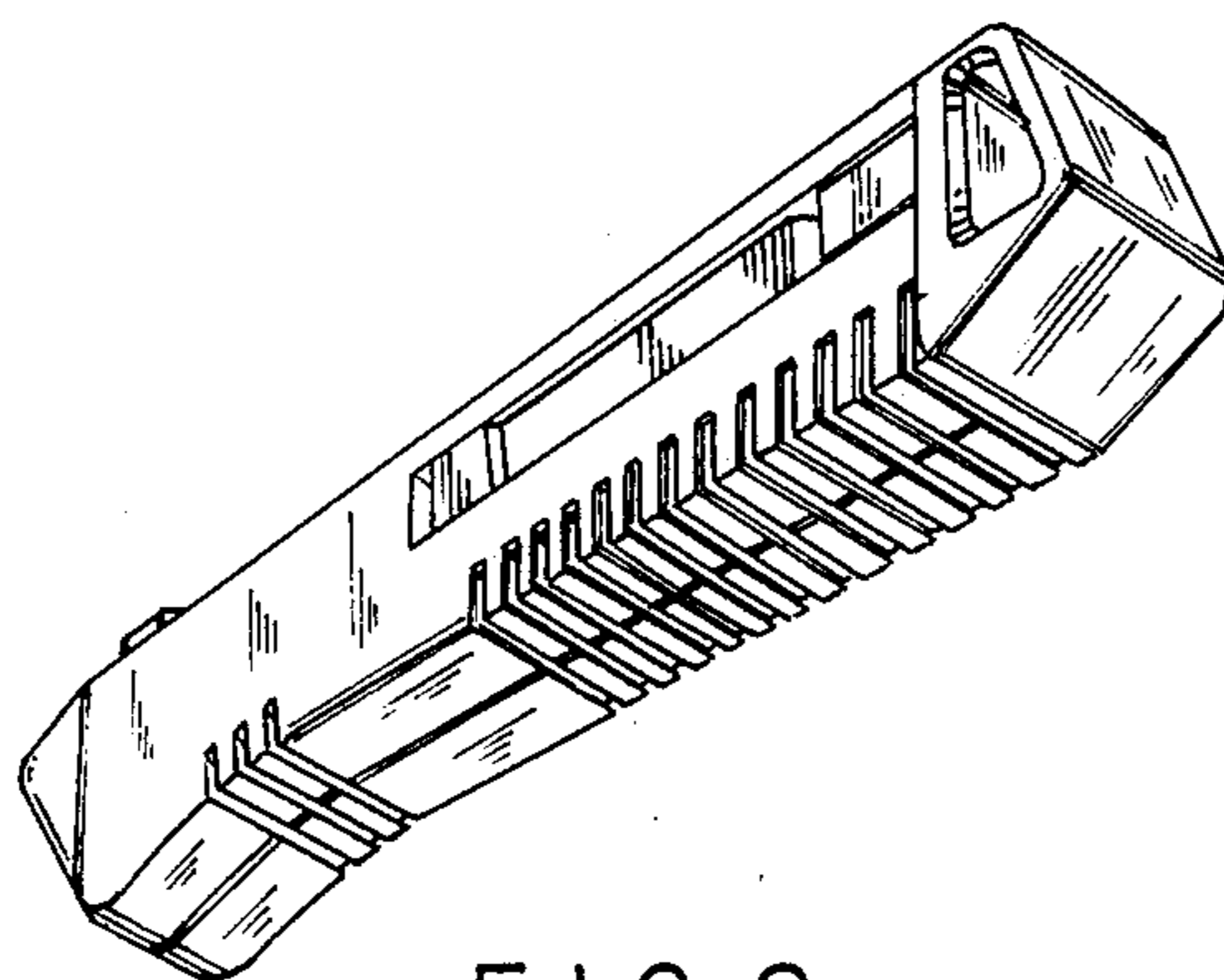


FIG. 8