

[54] CLAMP FOR AUTOMOBILE WINDOW REPAIR

[76] Inventor: Jimmy D. McDonald, 15890 E. 14th St., San Leandro, Calif. 94578

[\*\*] Term: 14 Years

[21] Appl. No.: 14,651

[22] Filed: Feb. 13, 1987

[52] U.S. Cl. .... D8/72

[58] Field of Search ..... D8/71, 72; 269/1, 21, 269/91, 95, 909; 248/362, 363

[56] References Cited

U.S. PATENT DOCUMENTS

D. 195,589 7/1963 Charniga ..... D8/71  
3,207,503 9/1965 Clover, Jr. et al. .... 269/21

3,770,259 11/1973 Wagreich ..... 269/21  
4,291,866 9/1981 Petersen ..... 248/363  
4,457,503 7/1984 Connor ..... 269/21  
4,497,476 2/1985 Wiele ..... 269/1

Primary Examiner—B. J. Bullock  
Attorney, Agent, or Firm—Linval B. Castle

[57] CLAIM

The ornamental design for a clamp for automobile window repair, as shown.

DESCRIPTION

FIG. 1 is a side elevational view of a clamp for automobile window repair showing my new design, the opposite side being a mirror image thereof;  
FIG. 2 is a left side elevational view thereof;  
FIG. 3 is a right side elevational view thereof;  
FIG. 4 is a top plan view thereof; and  
FIG. 5 is a bottom view thereof.

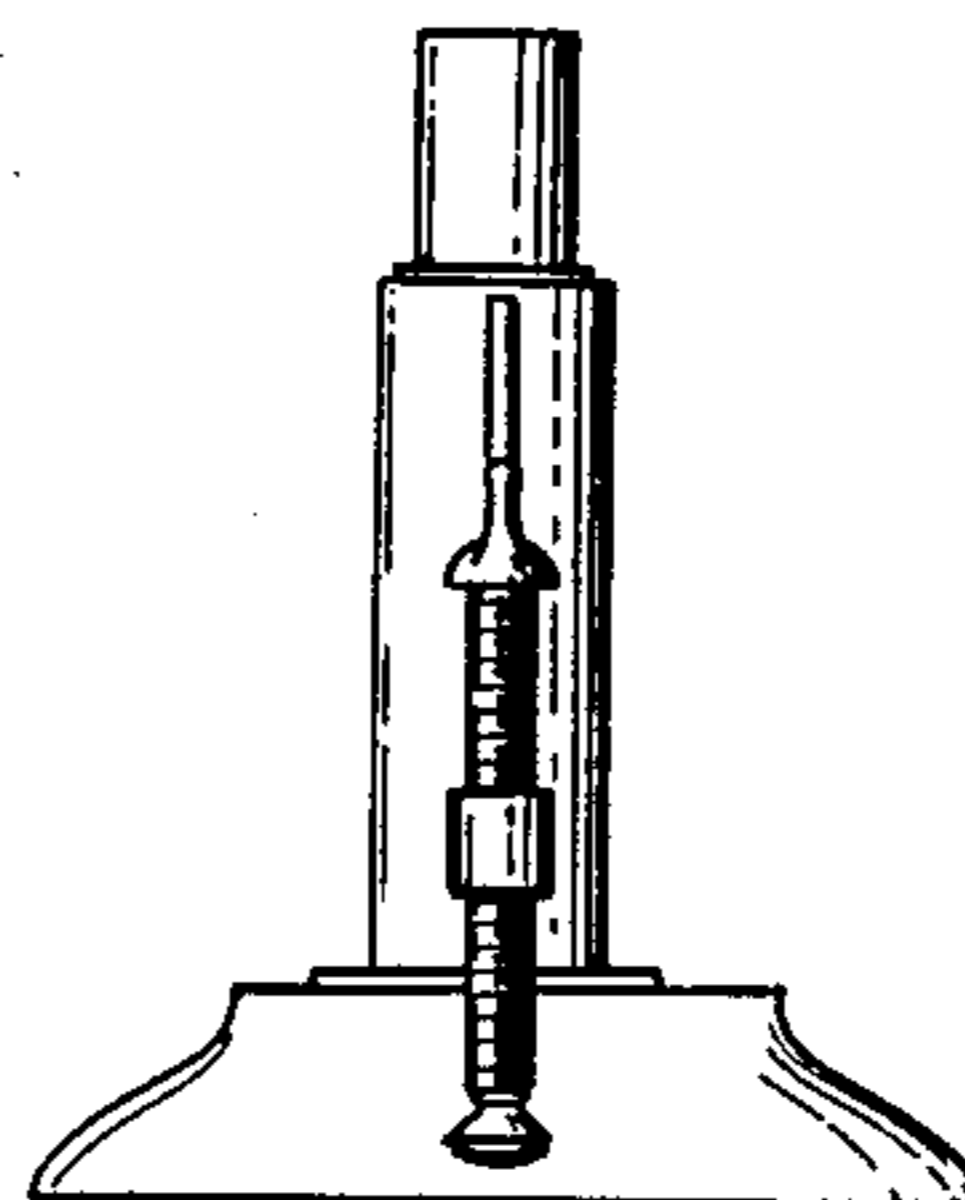
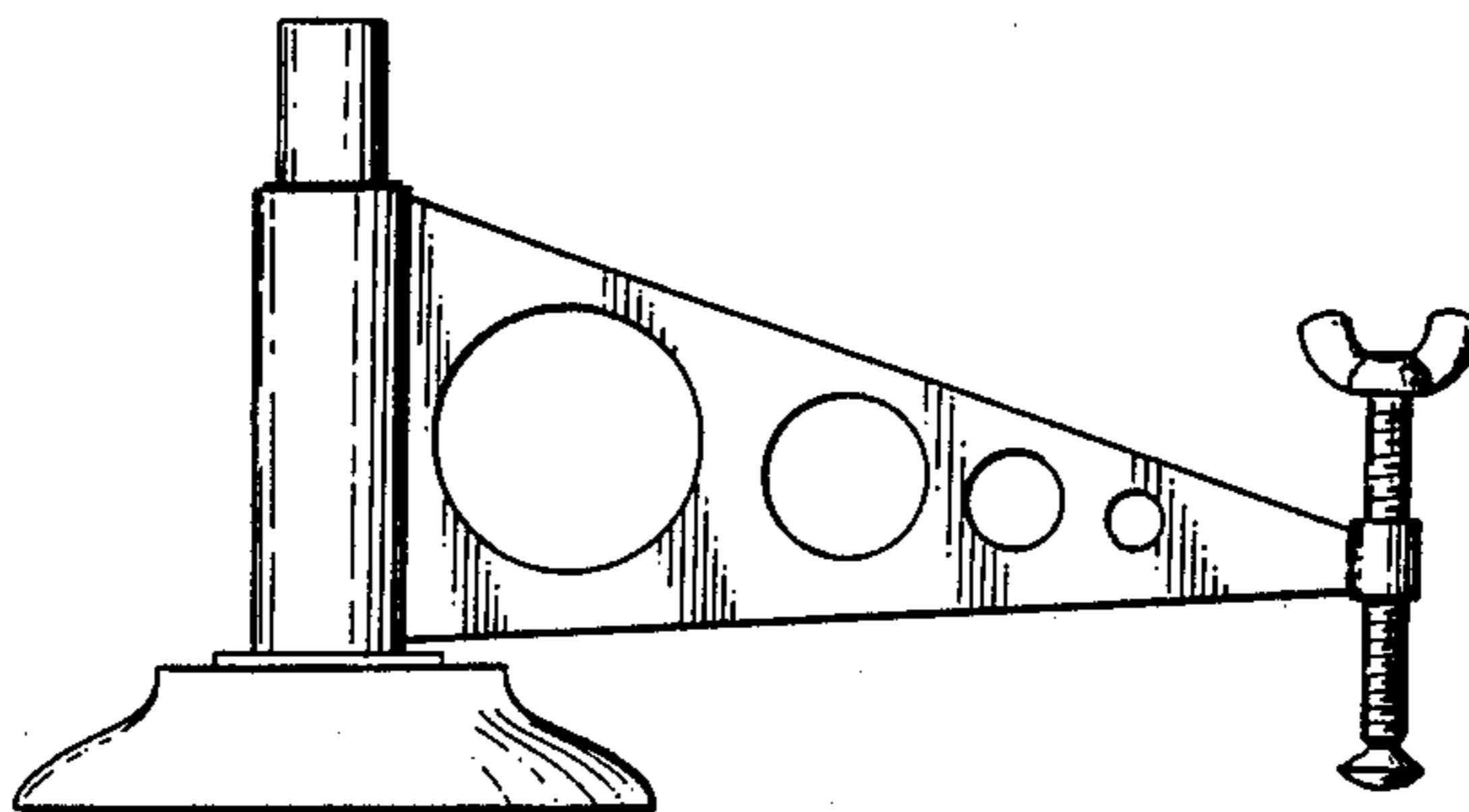


FIG. 1

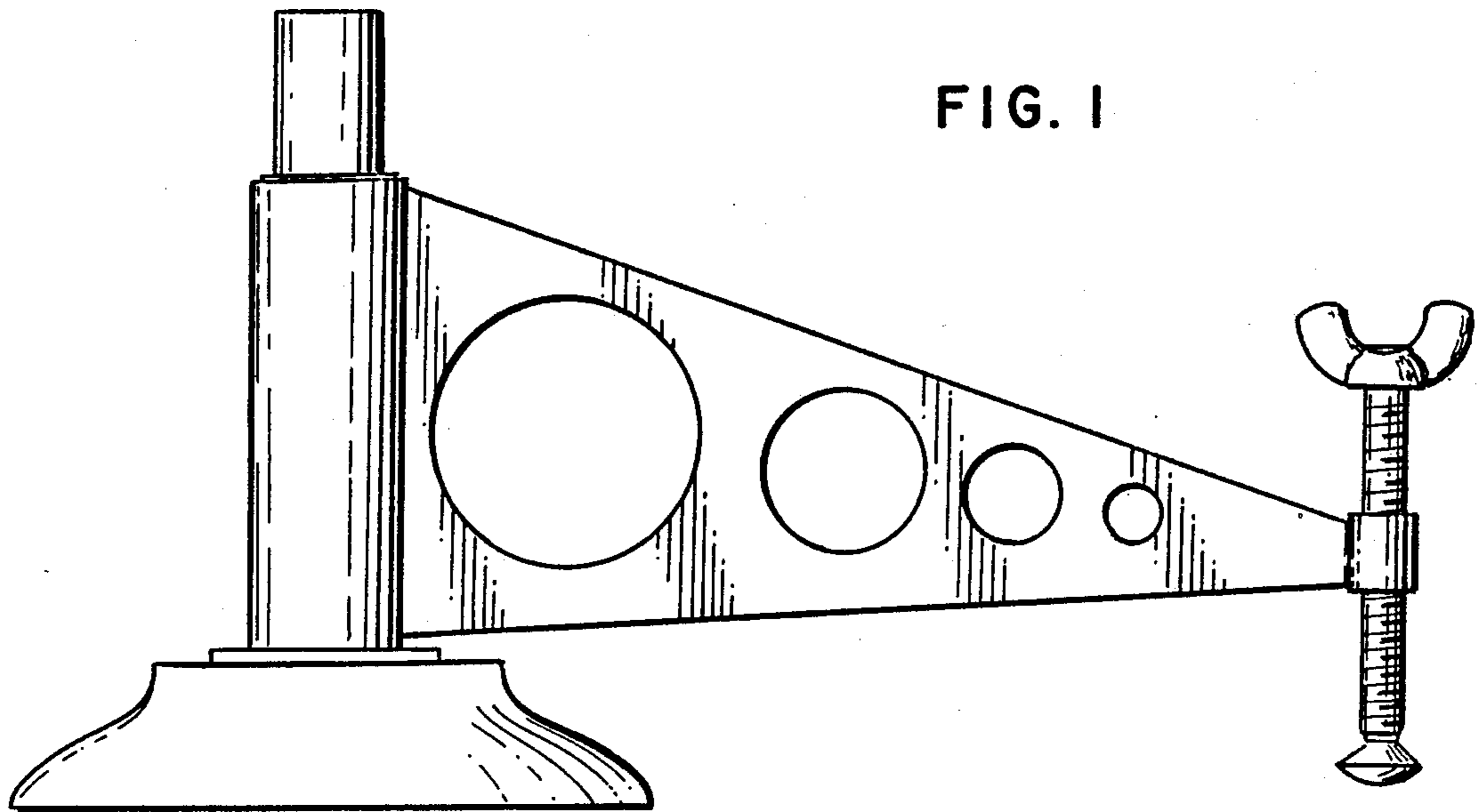


FIG. 2

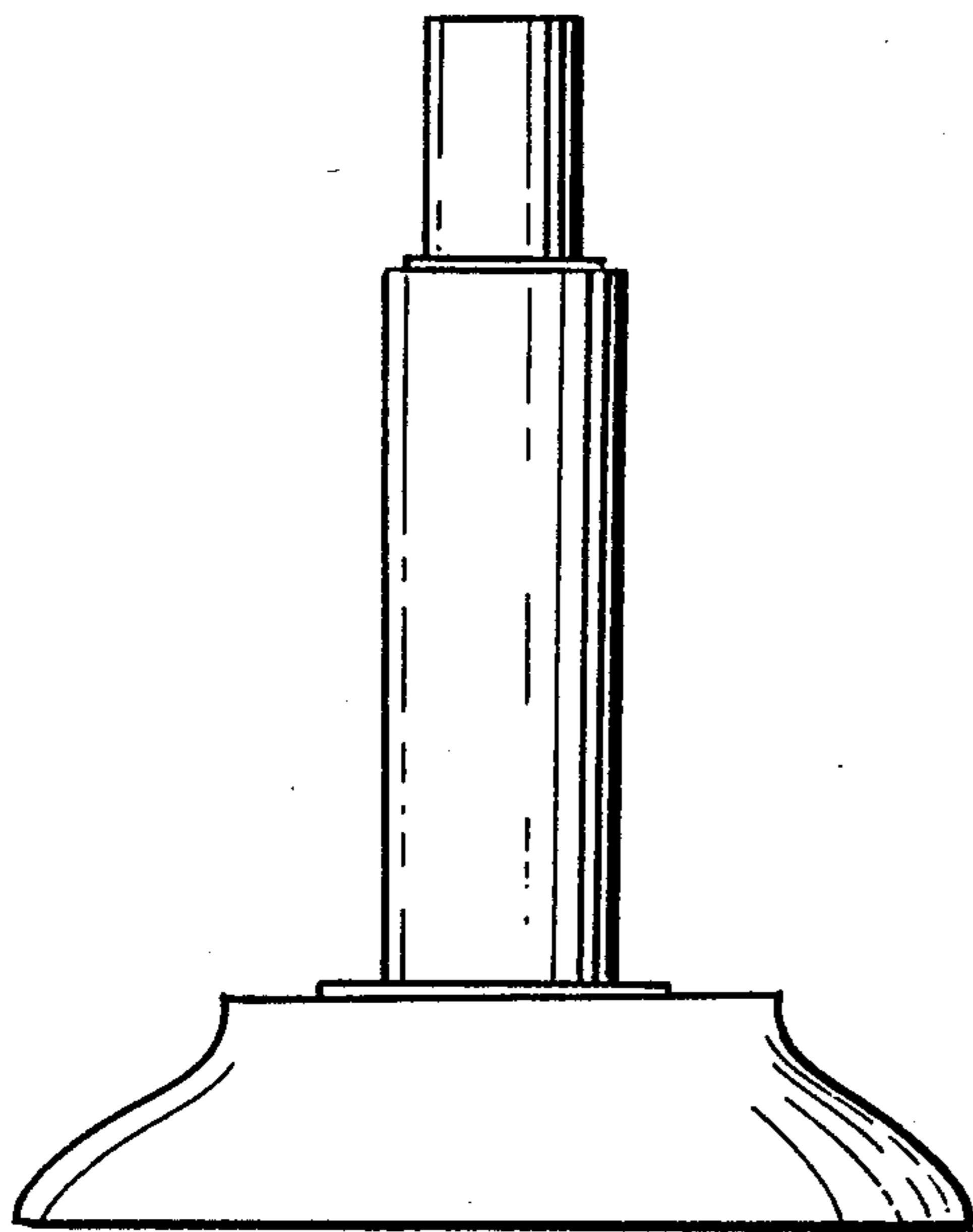
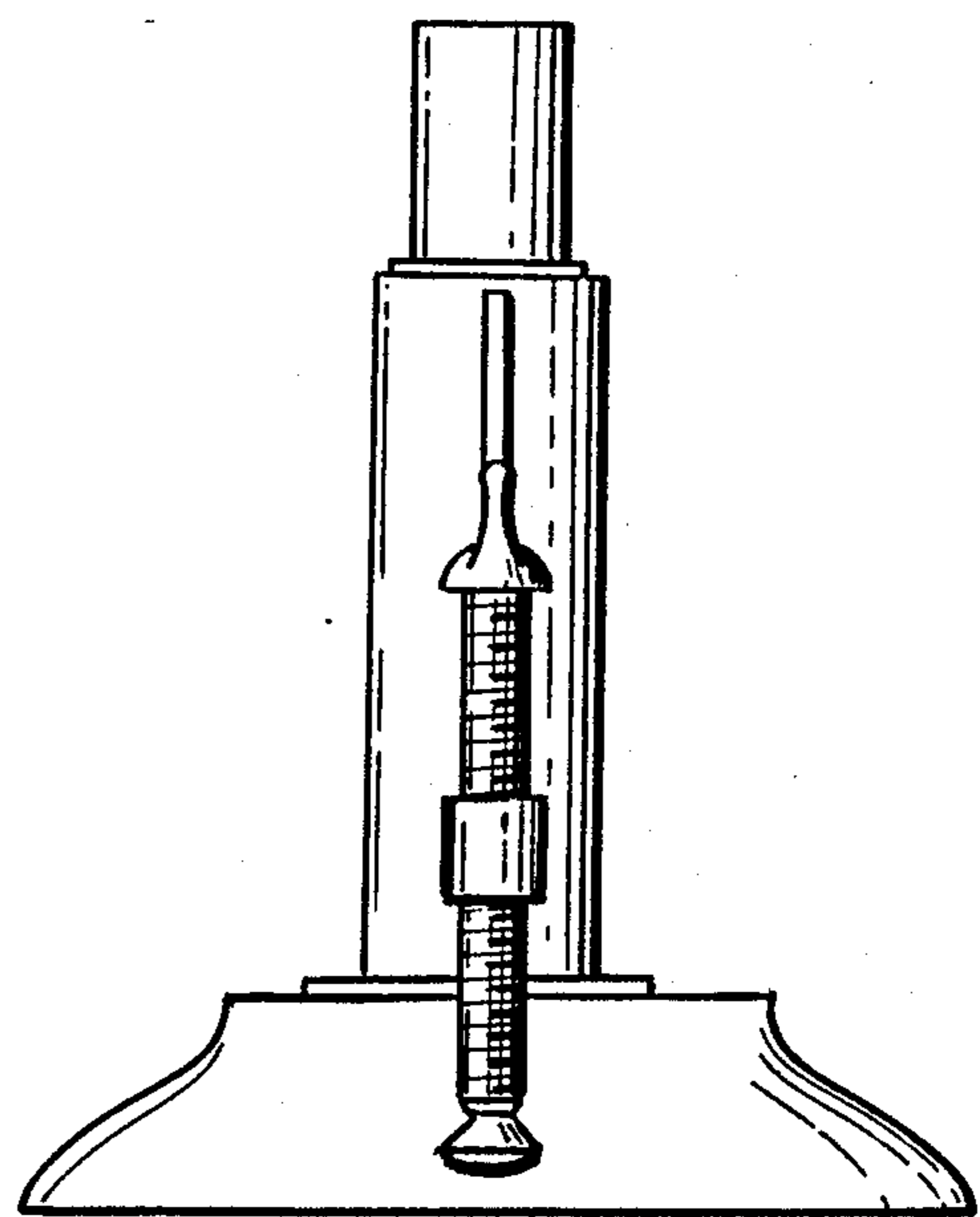


FIG. 3



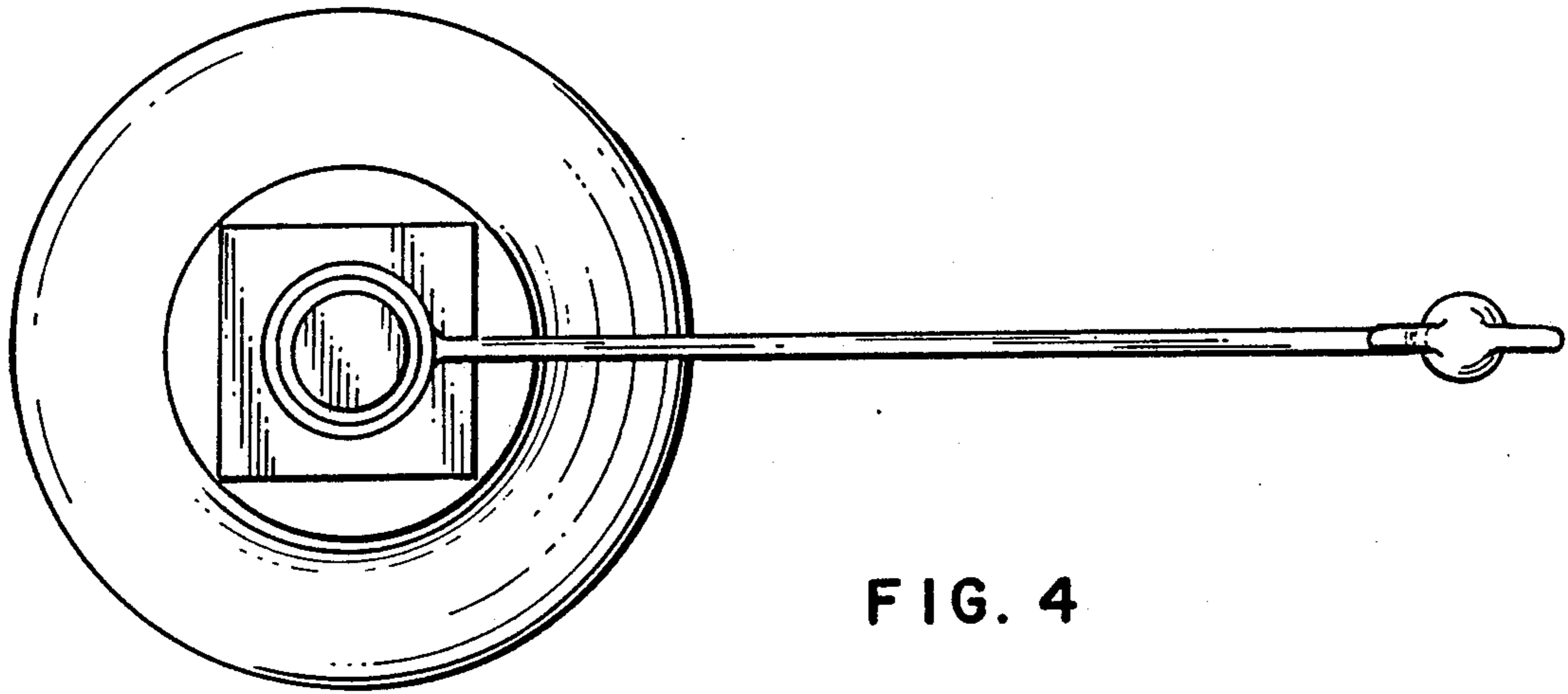


FIG. 4

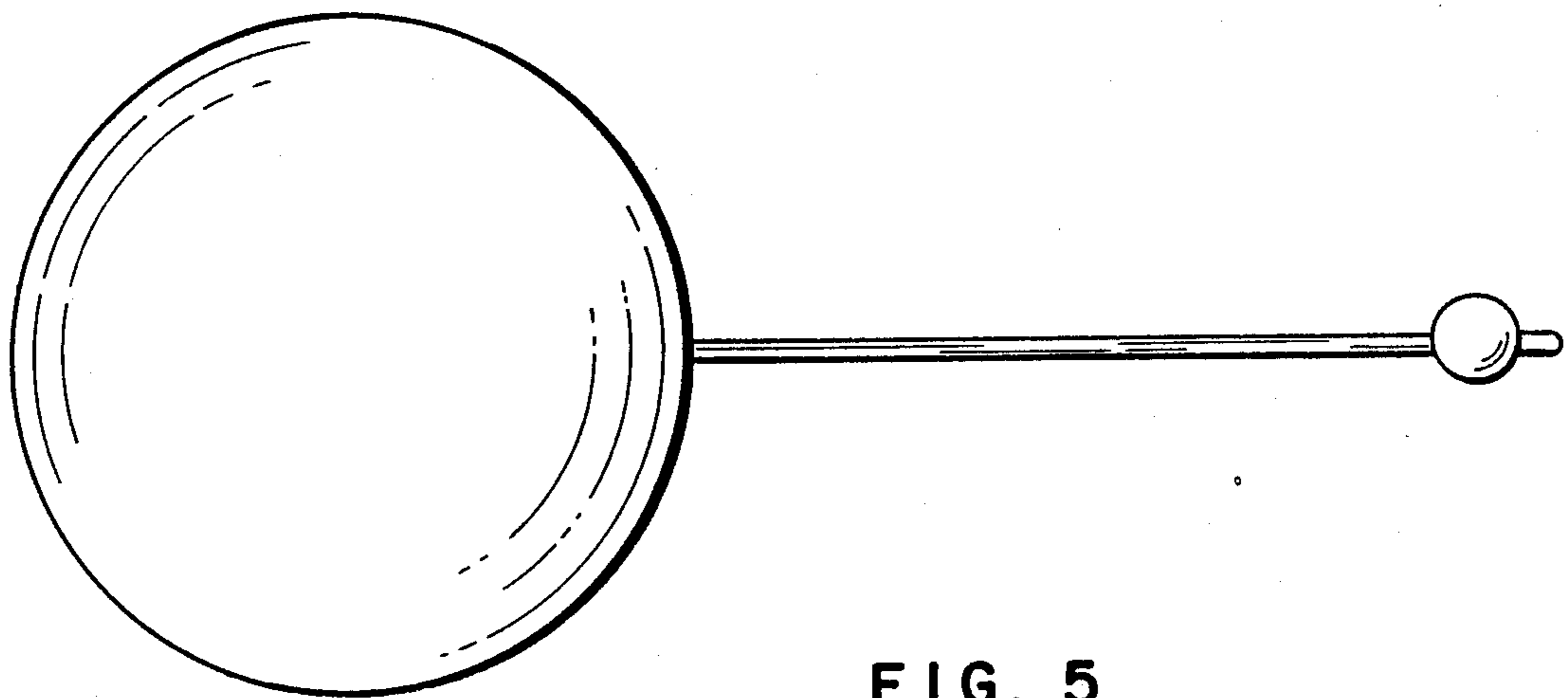


FIG. 5