

United States Patent [19]

Otto

[11] Patent Number: **Des. 305,085**

[45] Date of Patent: **** Dec. 19, 1989**

[54] **COMBINED INSULATED FOOD SERVICE TRAY AND COVER**

[75] Inventor: Edgar Otto, Watchung, N.J.

[73] Assignee: Therma-Systems Corporation, South Plainfield, N.J.

[**] Term: **14 Years**

[21] Appl. No.: **934,314**

[22] Filed: **Nov. 24, 1986**

[52] U.S. Cl. **D7/16; D7/38; D9/347**

[58] Field of Search **D7/37, 38, 40, 16; D9/341, 347**

[56] **References Cited**

U.S. PATENT DOCUMENTS

D. 20,487 1/1891 McBride D7/1
D. 250,315 11/1978 Otto D7/38
D. 254,599 4/1980 Otto D7/38 X
D. 260,604 9/1981 Otto D9/347

D. 280,059 8/1985 Otto D7/38 X
D. 280,060 8/1985 Holzkopf D7/38

Primary Examiner—Winifred E. Herrmann
Attorney, Agent, or Firm—Curtis, Morris and Safford

[57] **CLAIM**

The ornamental design for a combined insulated food service tray and cover, as shown and described.

DESCRIPTION

FIG. 1 is a top, front, and left side perspective view of a combined insulated food service tray and cover showing my new design;

FIG. 2 is a bottom, rear, and right side perspective view thereof;

FIG. 3 is an exploded perspective view showing the interior of the cover and tray thereof;

FIG. 4 is a bottom plan view thereof;

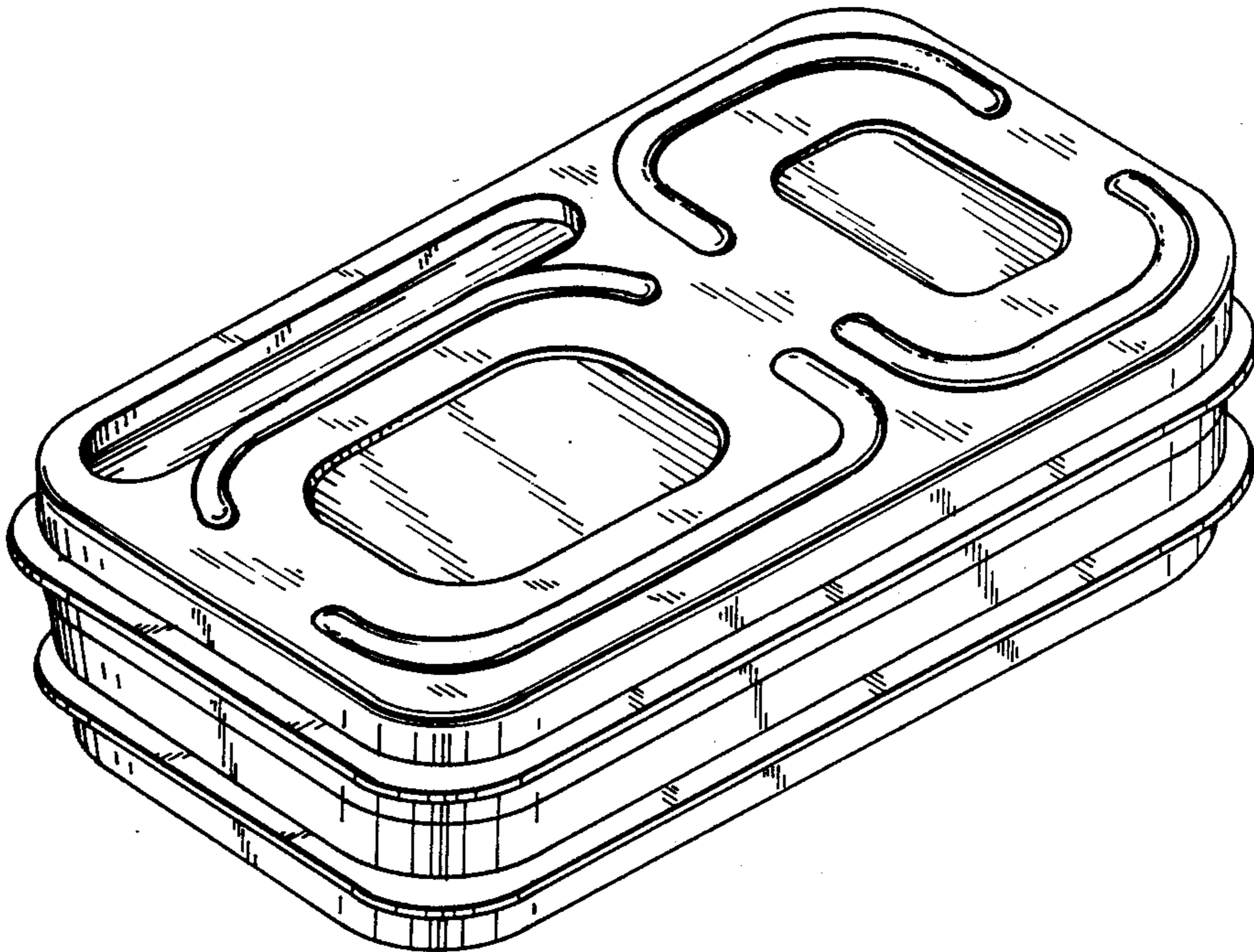
FIG. 5 is a top plan view thereof;

FIG. 6 is a front elevational view thereof;

FIG. 7 is a rear elevational view thereof;

FIG. 8 is a right side elevational view thereof; and

FIG. 9 is a left side elevational view thereof.



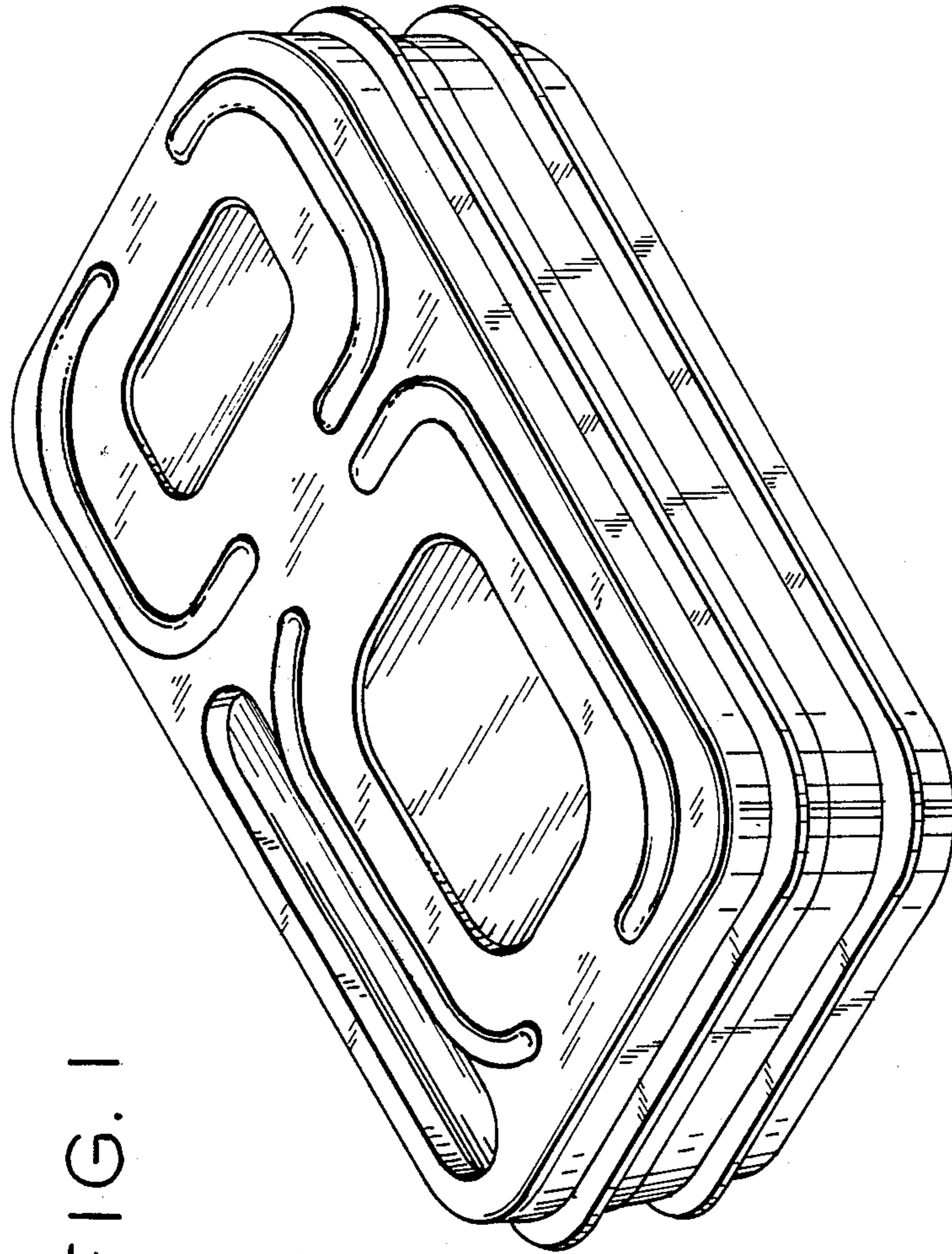


FIG. 1

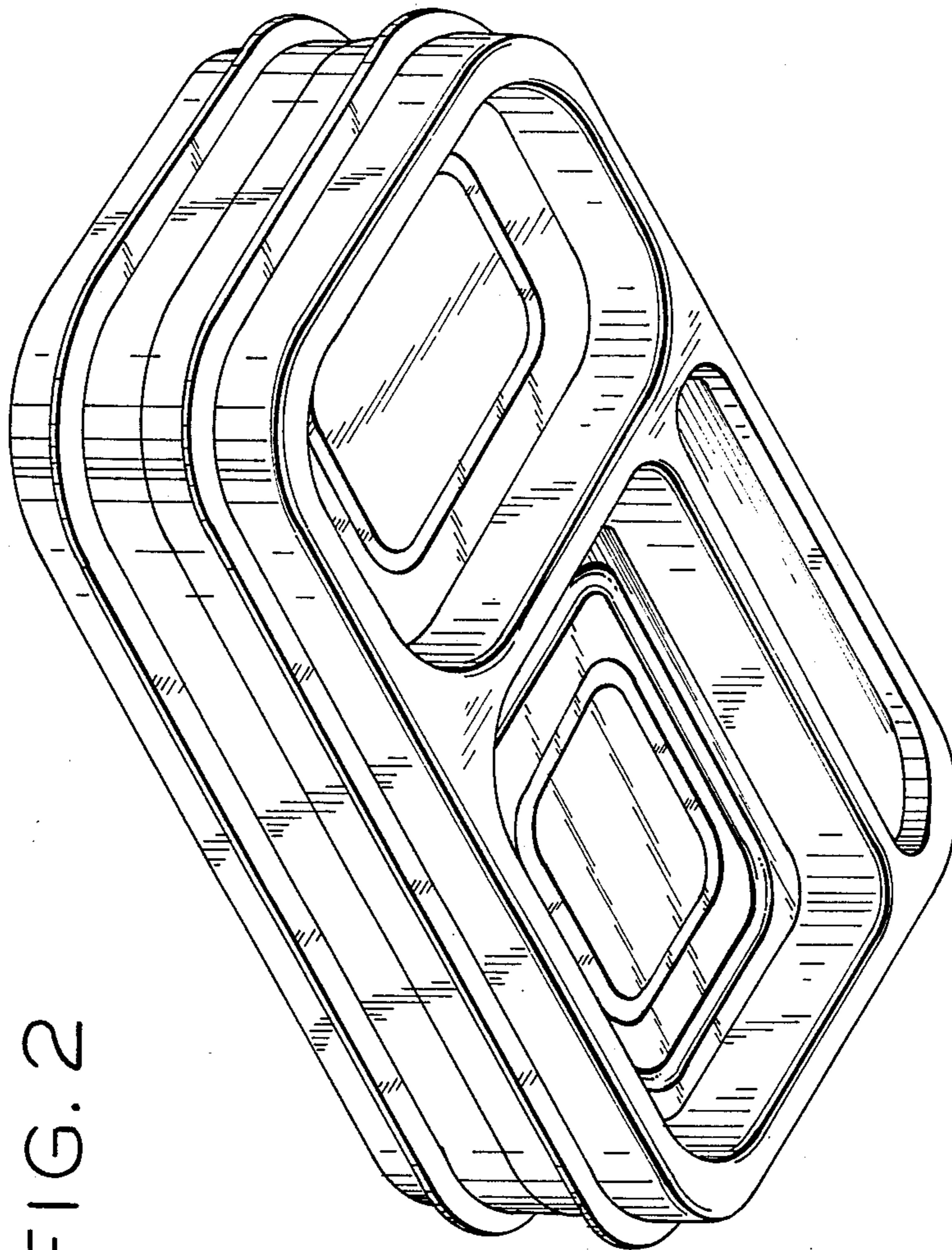


FIG. 2

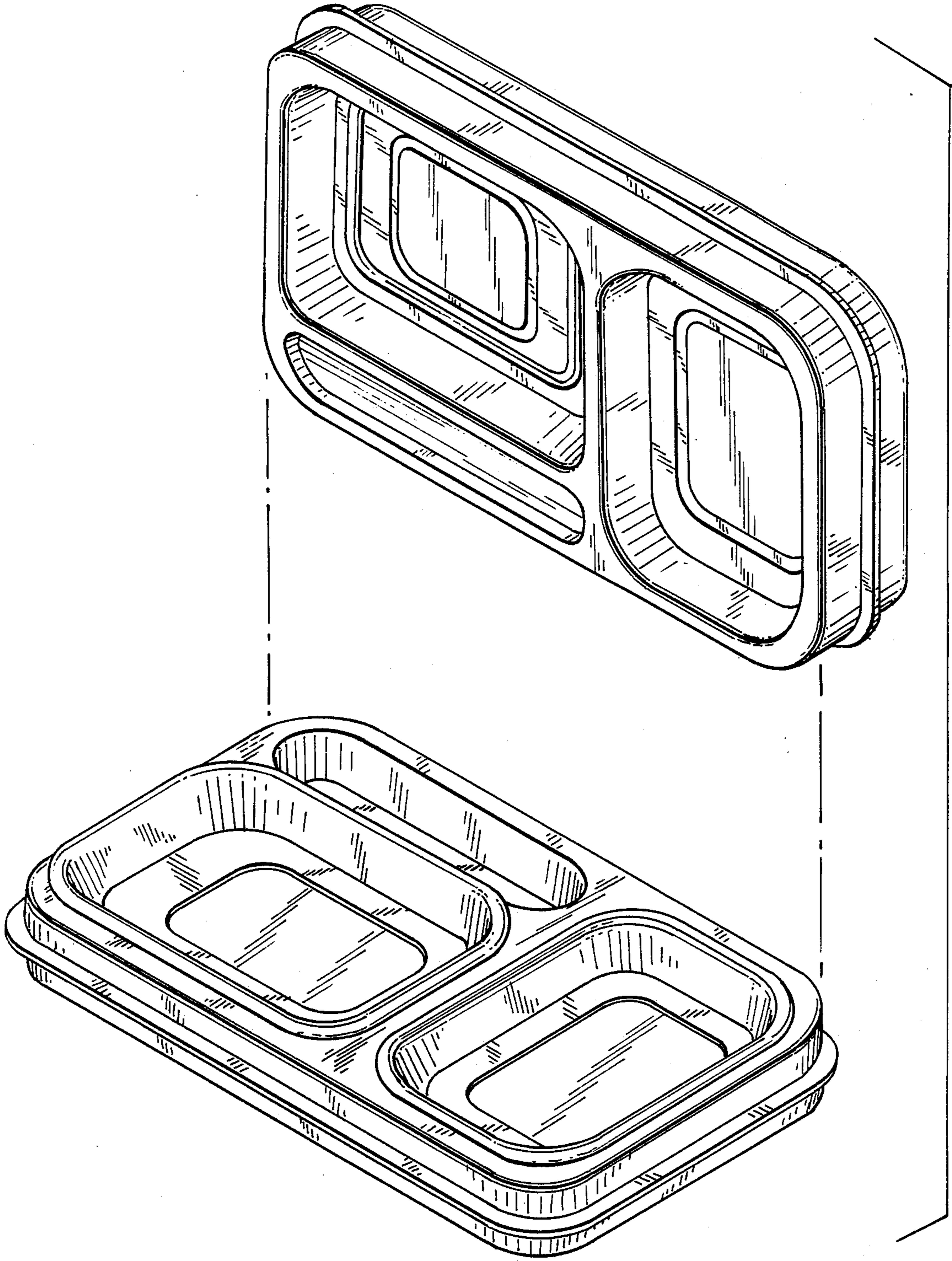


FIG. 3

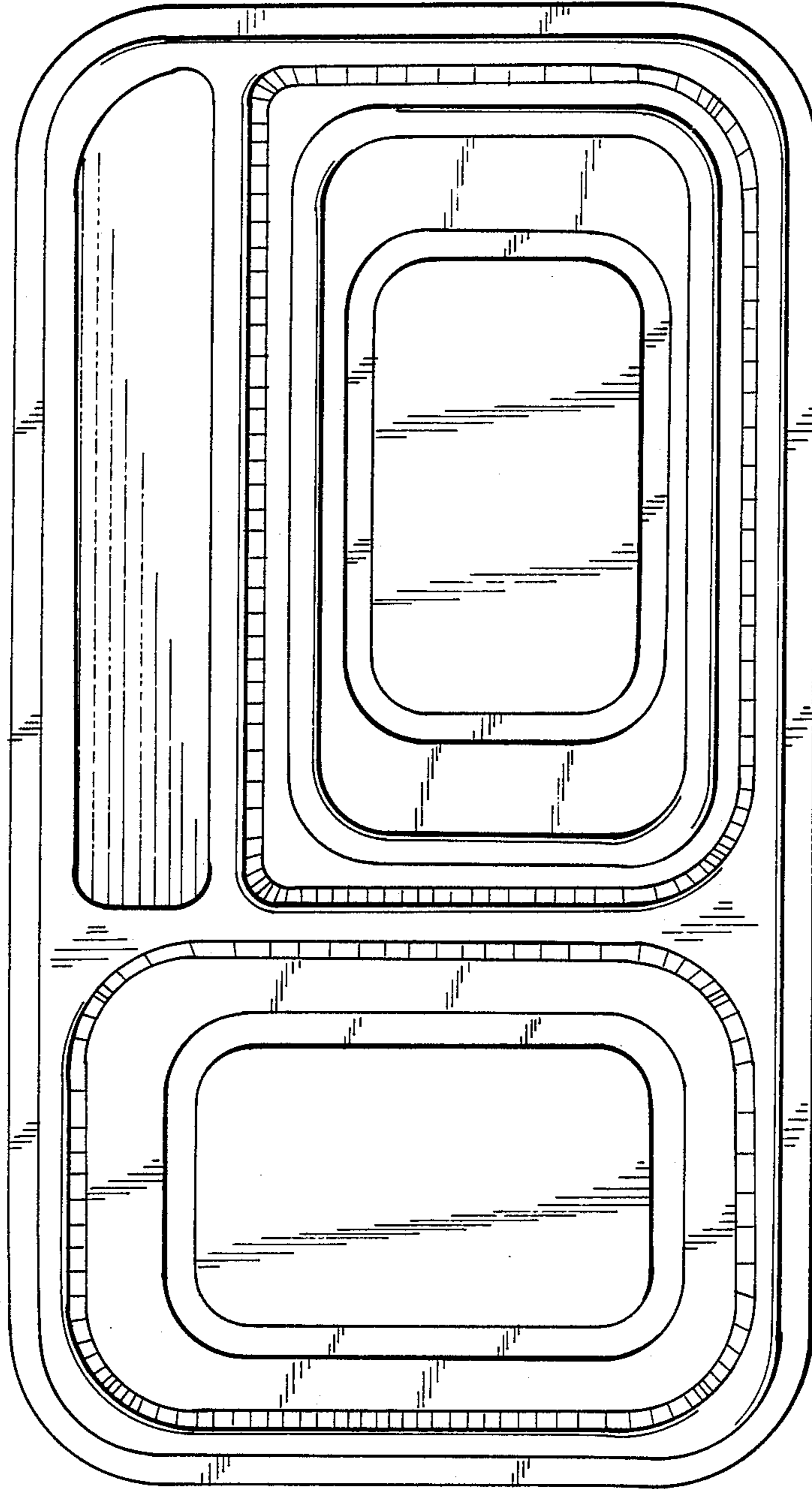


FIG. 4

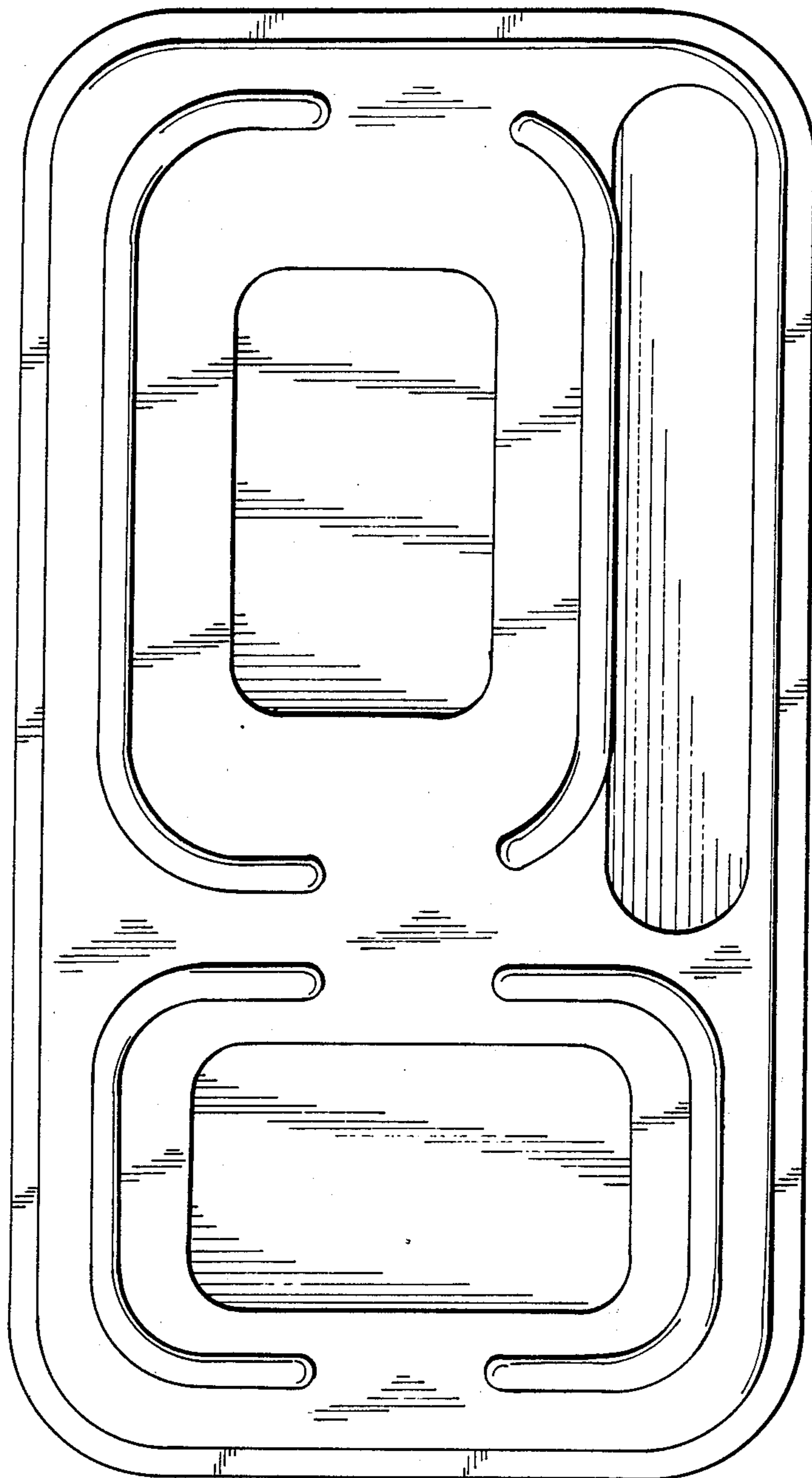


FIG. 5

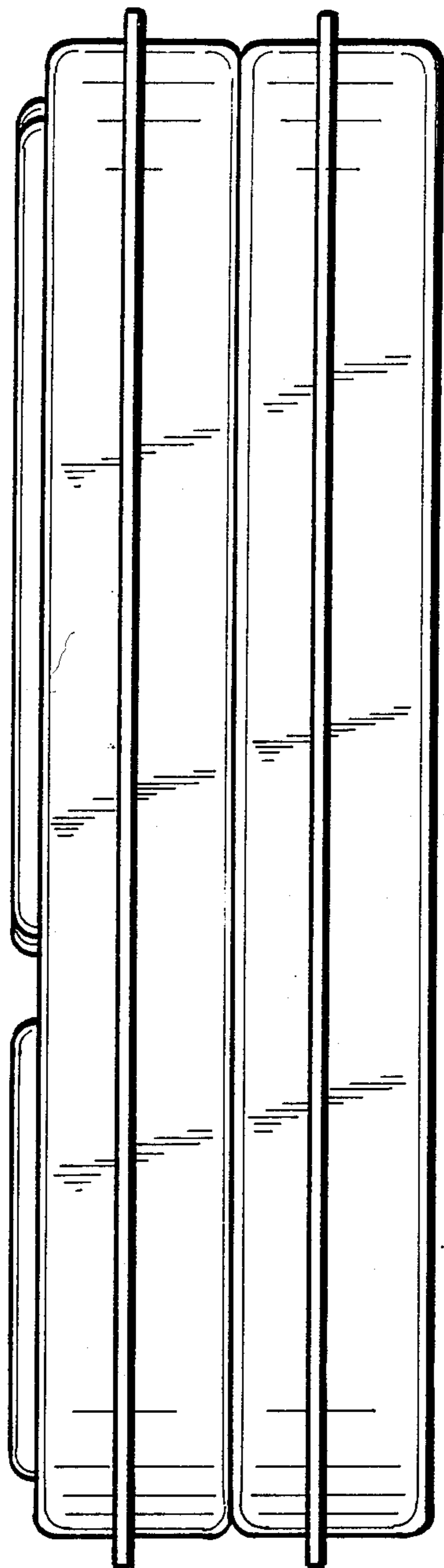


FIG. 7

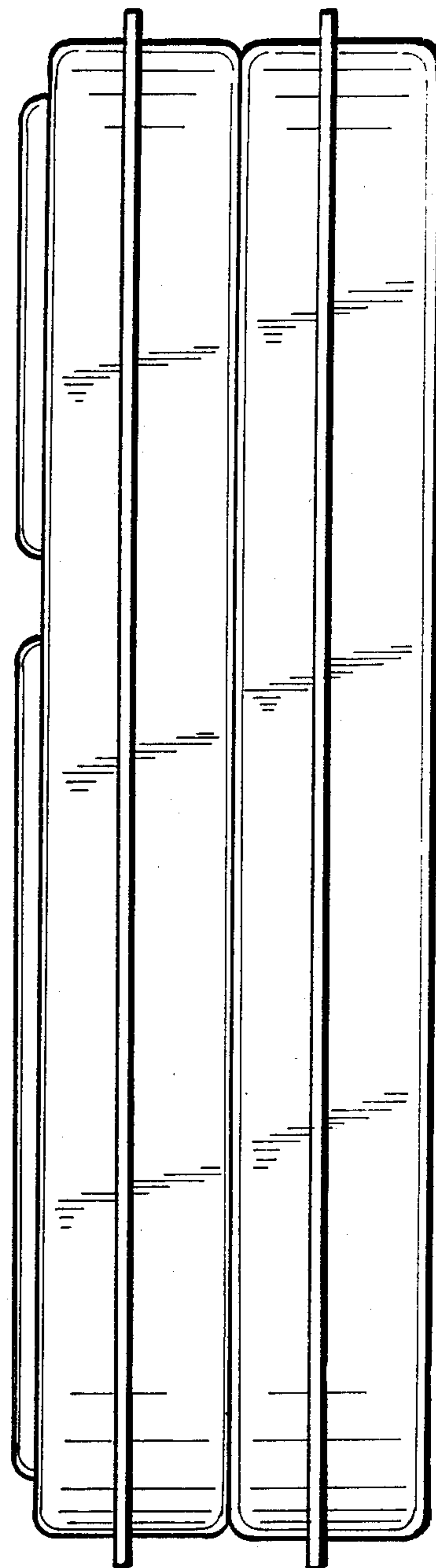


FIG. 6

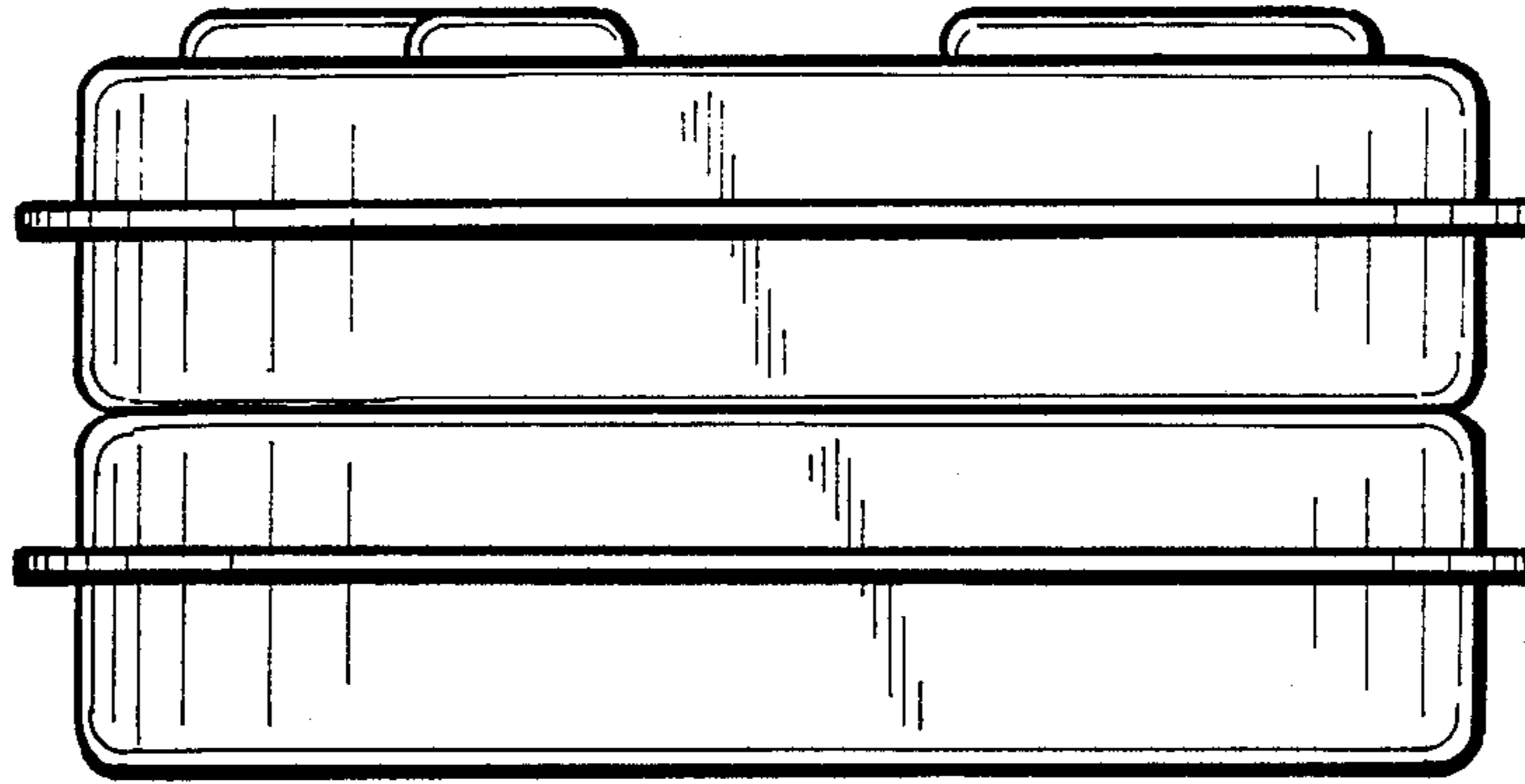


FIG. 9

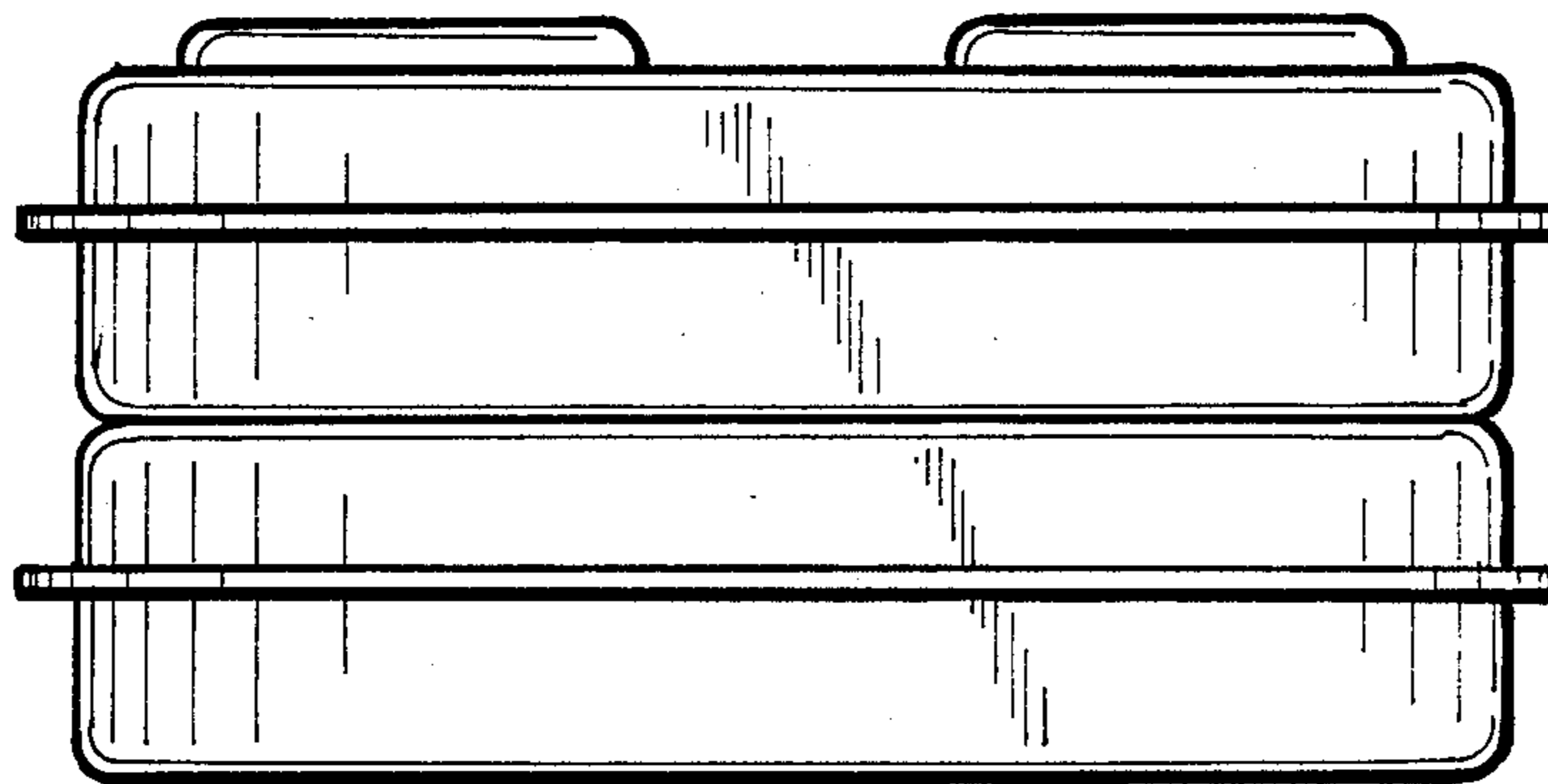


FIG. 8