

[54] RAZOR ORGANIZER

[76] Inventor: William M. White, P.O. Box 573, Waycross, Ga. 31501

[\*\*] Term: 14 Years

[21] Appl. No.: 72,592

[22] Filed: Jul. 13, 1987

[52] U.S. Cl. .... D6/526

[58] Field of Search ..... D6/524, 526, 553, 554, D6/567, 574; 211/13, 30, 32, 60.1, 66, 64, 69.9, 70.6, 70.7, 86-87, 105.1, 105.2; 108/30, 59; 221/66, 283

[56] References Cited

U.S. PATENT DOCUMENTS

D. 179,714	2/1957	Wise .....	D6/526
D. 262,504	1/1982	Flynn .....	D6/574
D. 272,388	1/1984	Wilkinson .....	D6/574 X
D. 286,119	10/1986	Enquist .....	D6/552
D. 287,916	1/1987	DelGarbino et al. ....	D6/567
3,192,894	7/1965	Staver .	

3,685,660	8/1972	Saunders .....	211/13 X
3,698,563	10/1972	Gordon et al. ....	211/13
3,746,177	7/1973	Viloth .....	211/64
4,583,647	4/1986	Schinzing .....	211/60.1

Primary Examiner—Wallace R. Burke  
Assistant Examiner—Brian N. Vinson  
Attorney, Agent, or Firm—Norman B. Rainer

[57] CLAIM

The ornamental design for a razor organizer, as shown and described.

DESCRIPTION

FIG. 1 is a top plan view of a razor organizer showing my new design;

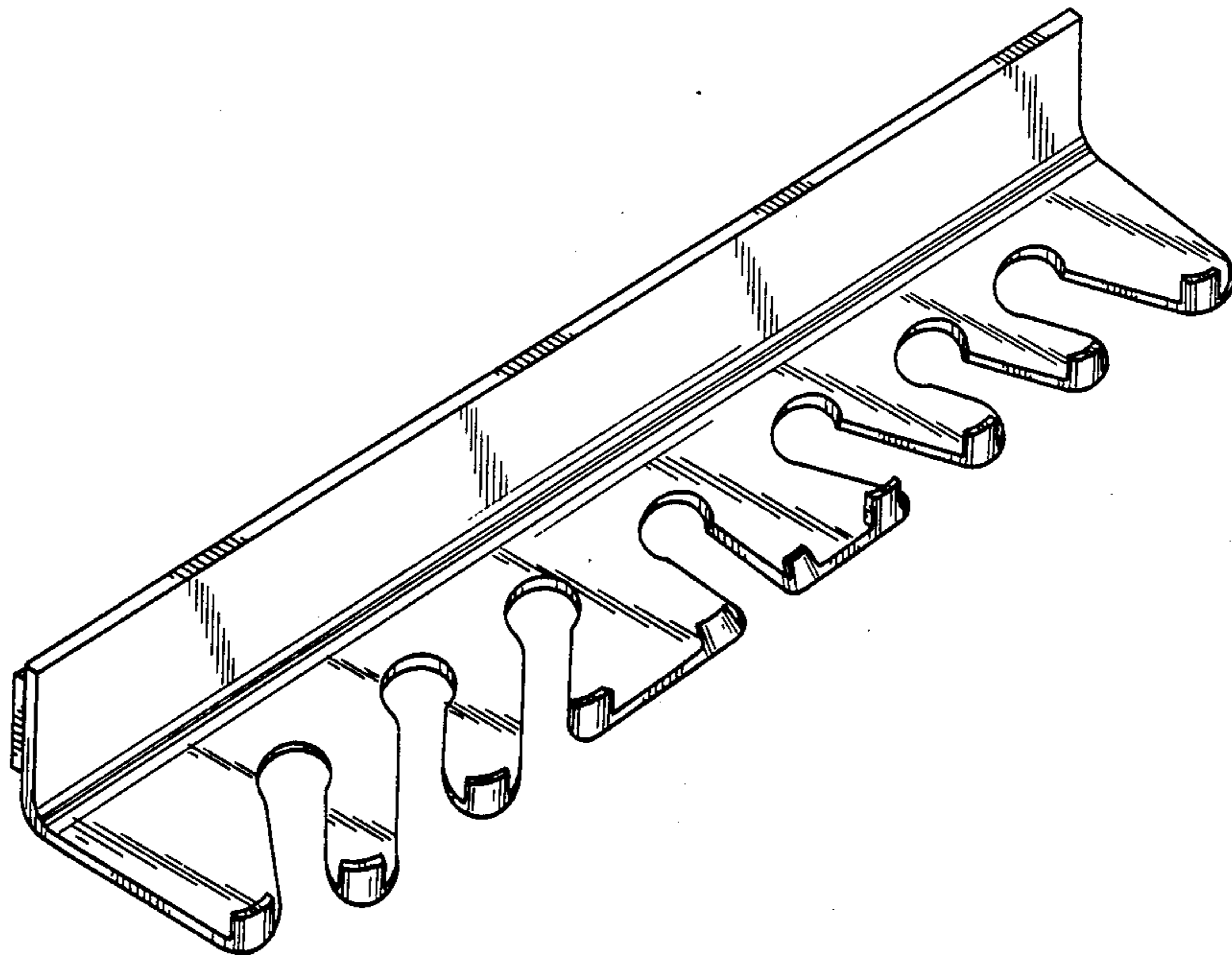
FIG. 2 is a front elevational view thereof;

FIG. 3 is a right side elevational view thereof, the left side being a mirror image of that shown;

FIG. 4 is a rear elevational view thereof; and

FIG. 5 is a perspective view thereof.

The broken-line showing of the razor in the views is for illustrative purposes only and forms no part of the claimed design.



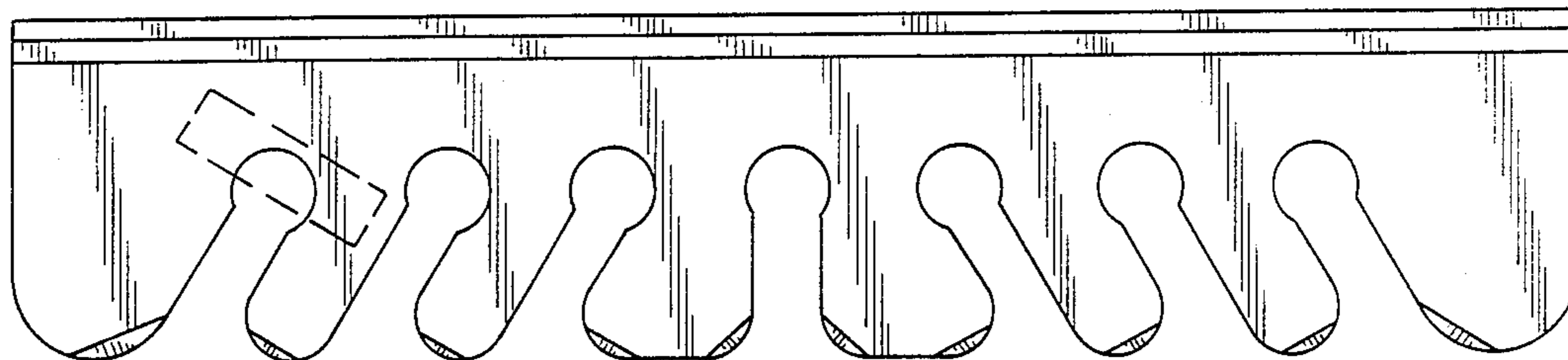


FIG. 1

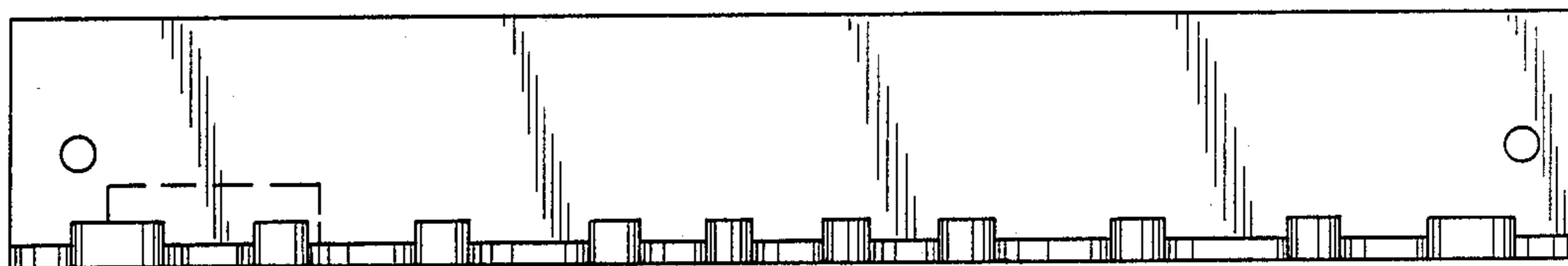


FIG. 2



FIG. 3

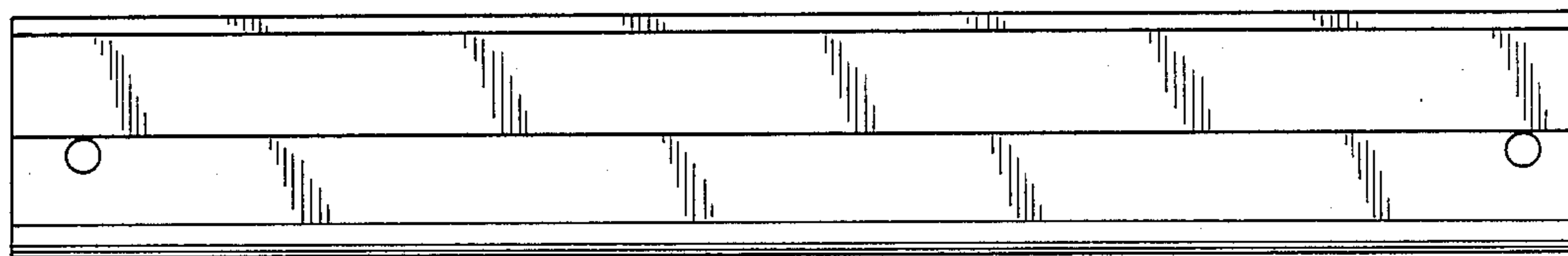


FIG. 4

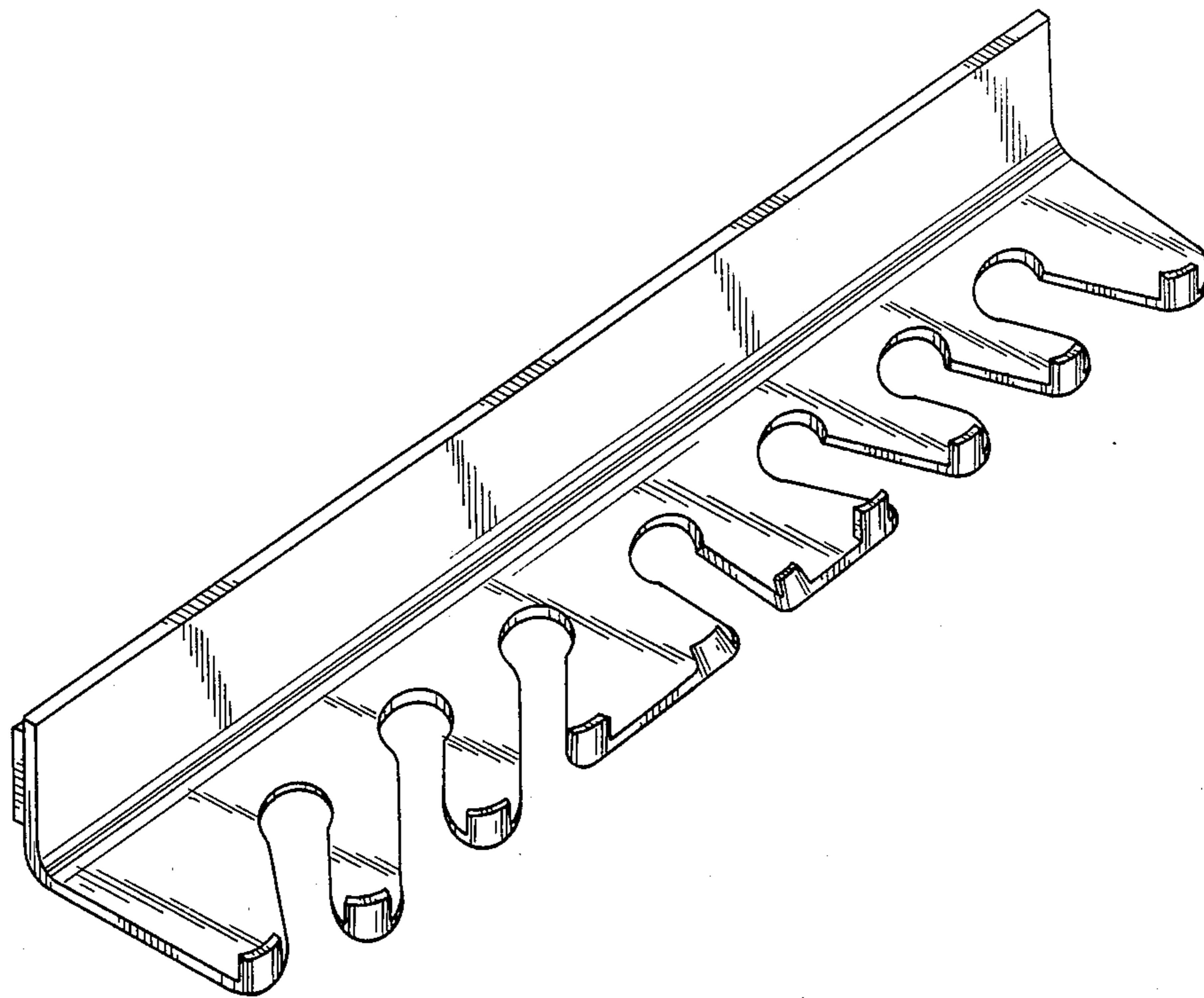


FIG. 5