

[54] **COMBINED ADJUSTABLE CHAIR AND OTTOMAN UNIT**

[76] **Inventor: Raymond Grosfillex, Arbent, 01107 Oyonnax, France**

[\*] **Notice: The portion of the term of this patent subsequent to Jan. 10, 2003 has been disclaimed.**

[\*\*] **Term: 14 Years**

[21] **Appl. No.: 895,359**

[22] **Filed: Aug. 11, 1986**

[30] **Foreign Application Priority Data**

Feb. 11, 1986 [FR] France ..... 860,665  
[52] **U.S. Cl. .... D6/361; D6/367; D6/368; D6/370**  
[58] **Field of Search ..... D67/347, 348, 349, 360, D67/361, 367, 368, 370**

[56] **References Cited  
PUBLICATIONS**

Schoner Wohnen, May 1984, p. 117, "Deck-Chair" by Garpa at bottom of page.  
Schoner Wohnen, Apr. 1985, p. 202-F, armchair top center.

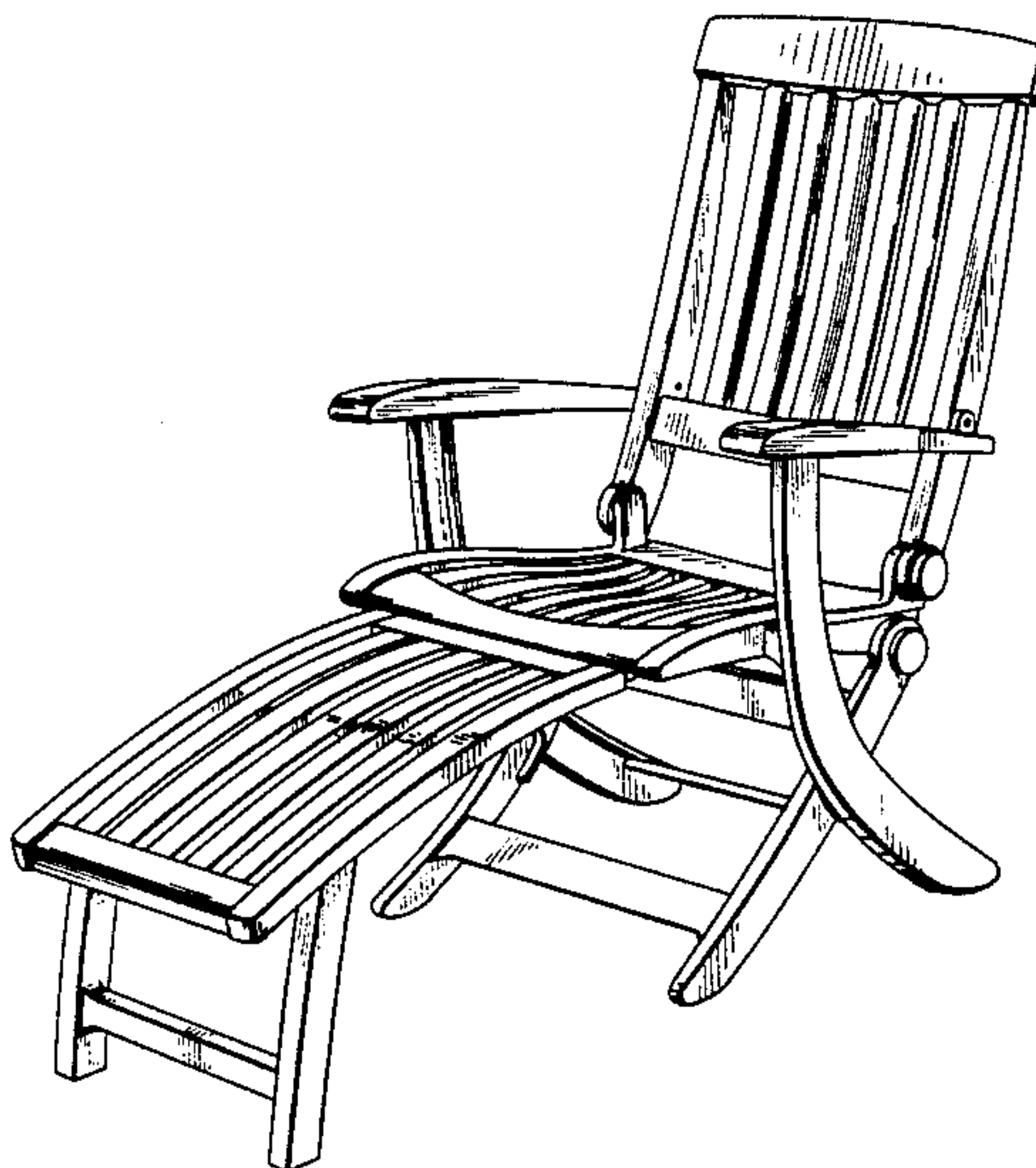
*Primary Examiner*—Bruce W. Dunkins  
*Attorney, Agent, or Firm*—Nies, Webner, Kurz & Bergert

[57] **CLAIM**

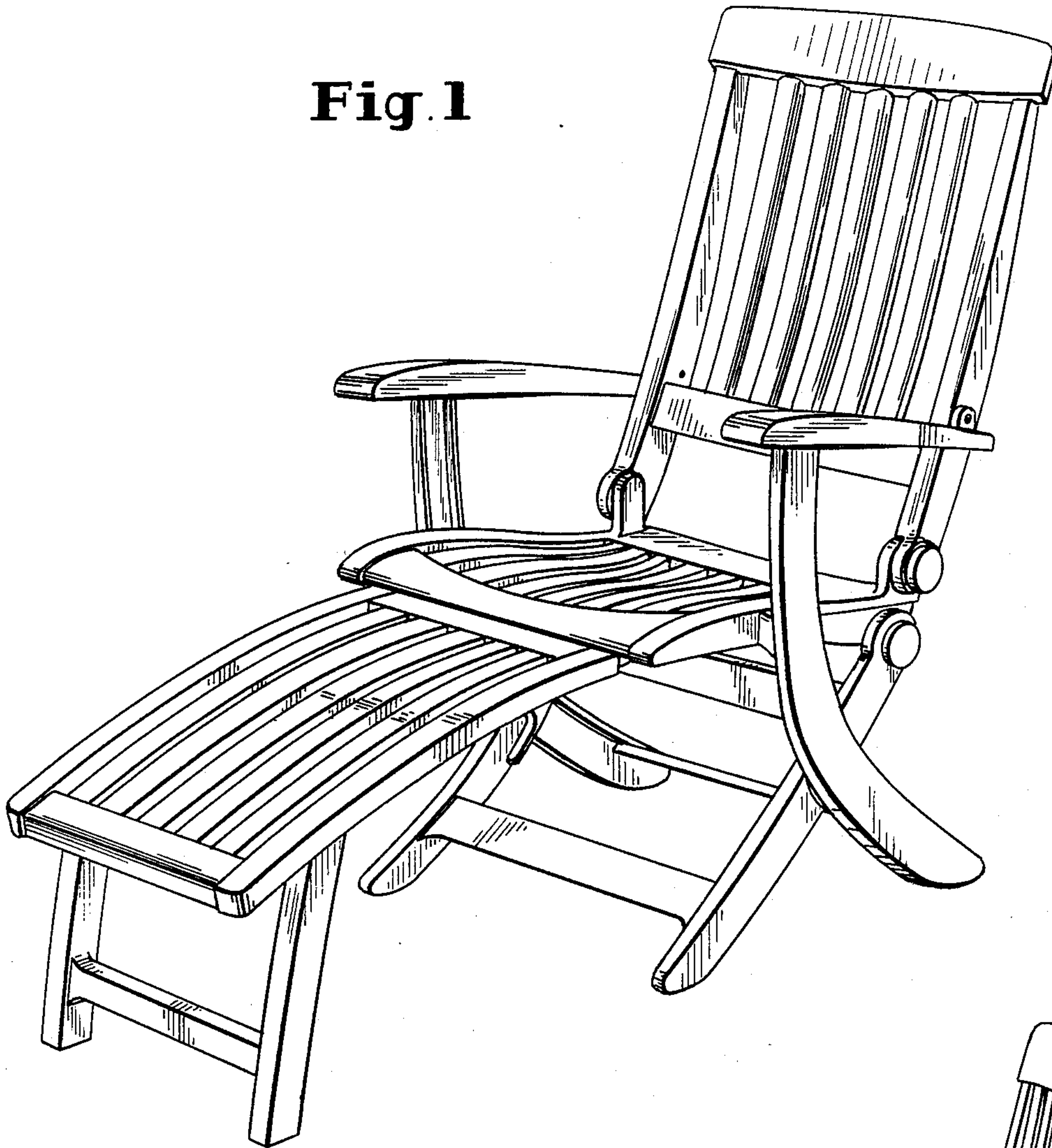
The ornamental design for a combined adjustable chair and ottoman unit, as shown and described.

**DESCRIPTION**

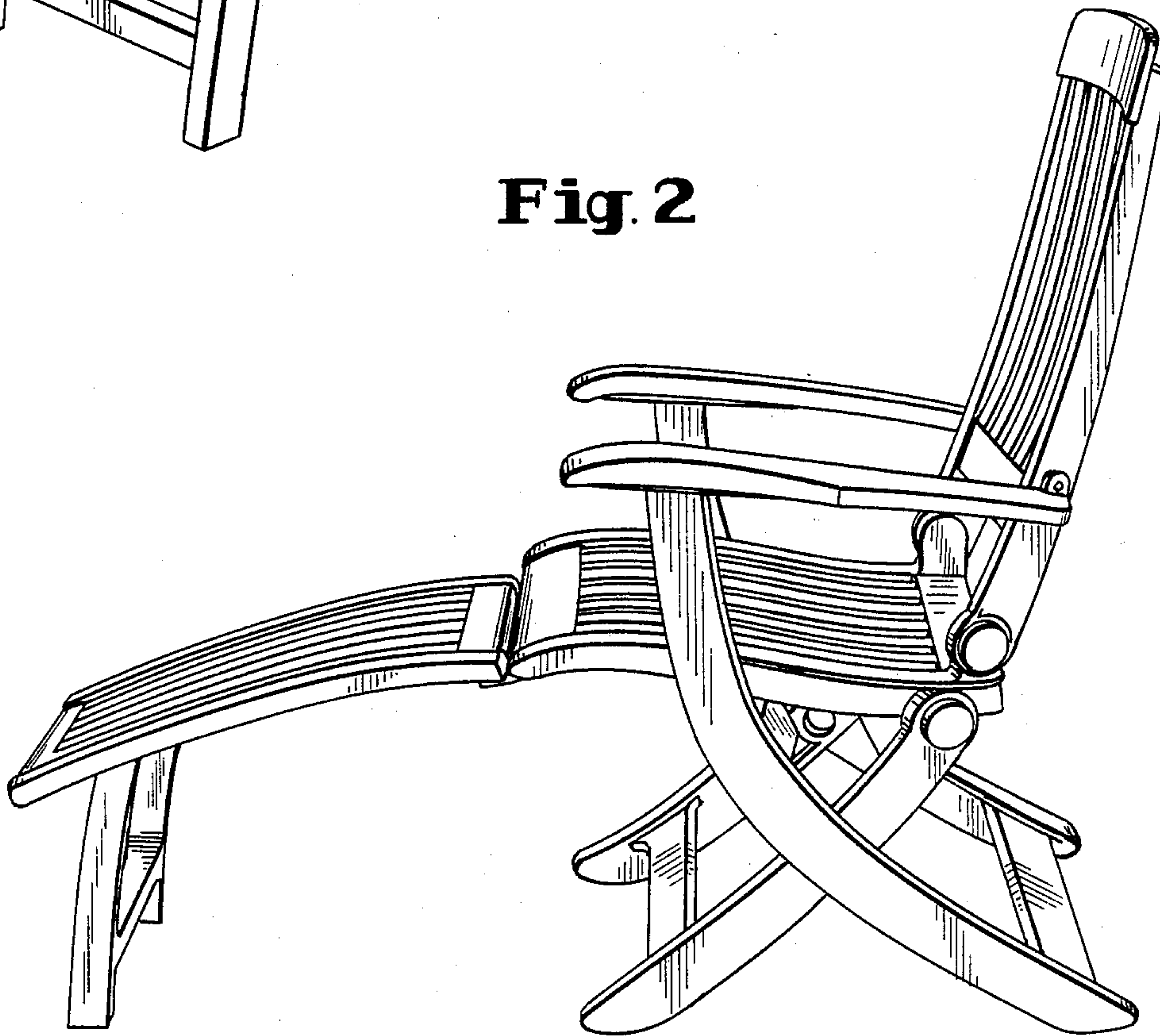
FIG. 1 is a front perspective view of a combined adjustable chair and ottoman unit showing my new design; FIG. 2 is a side perspective view, the opposite side being a mirror image thereof; FIG. 3 is an alternate front perspective view; FIG. 4 is a rear perspective view; FIG. 5 is a side perspective view wherein the backrest has been pivoted to an alternate position; and FIG. 6 is a top plan view thereof.



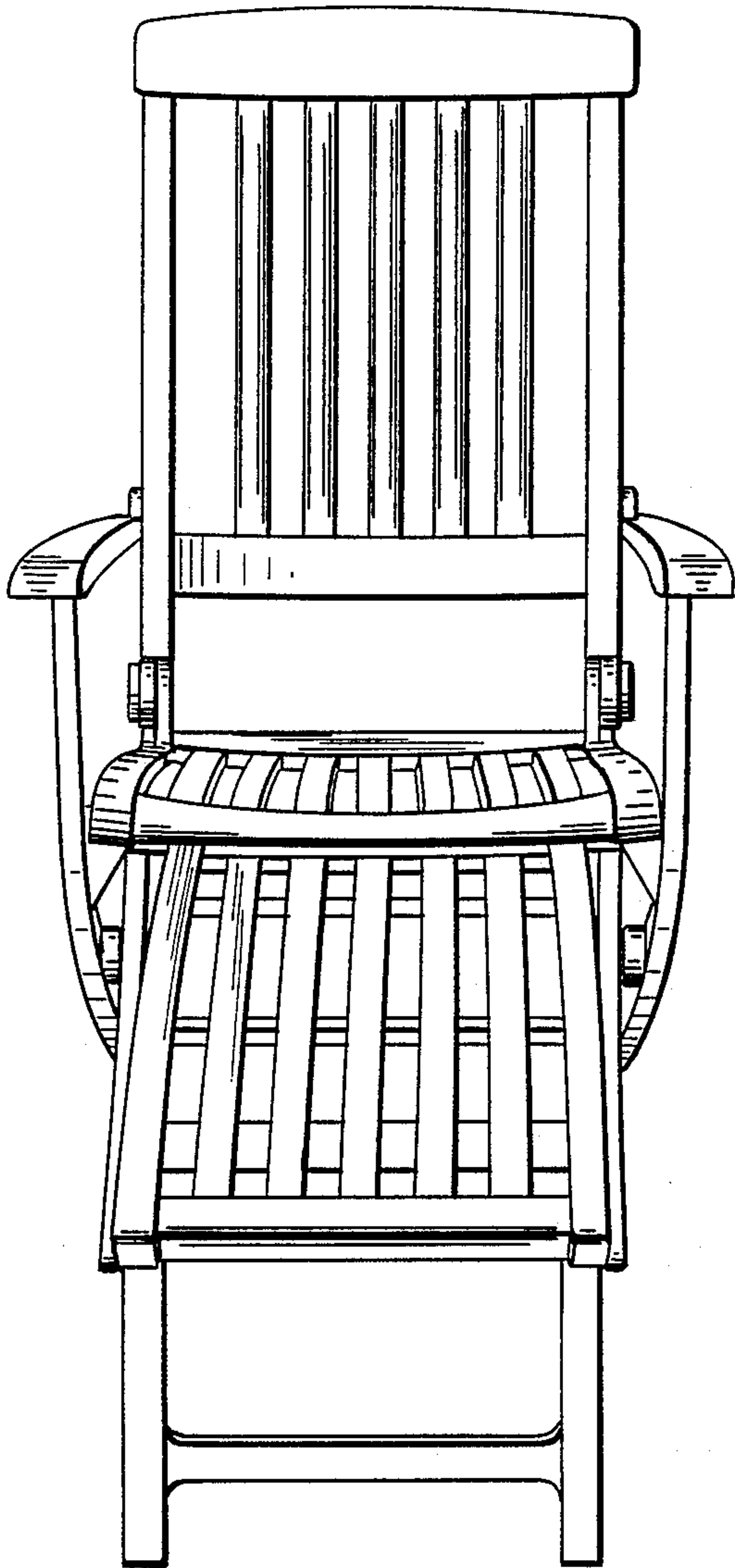
**Fig. 1**



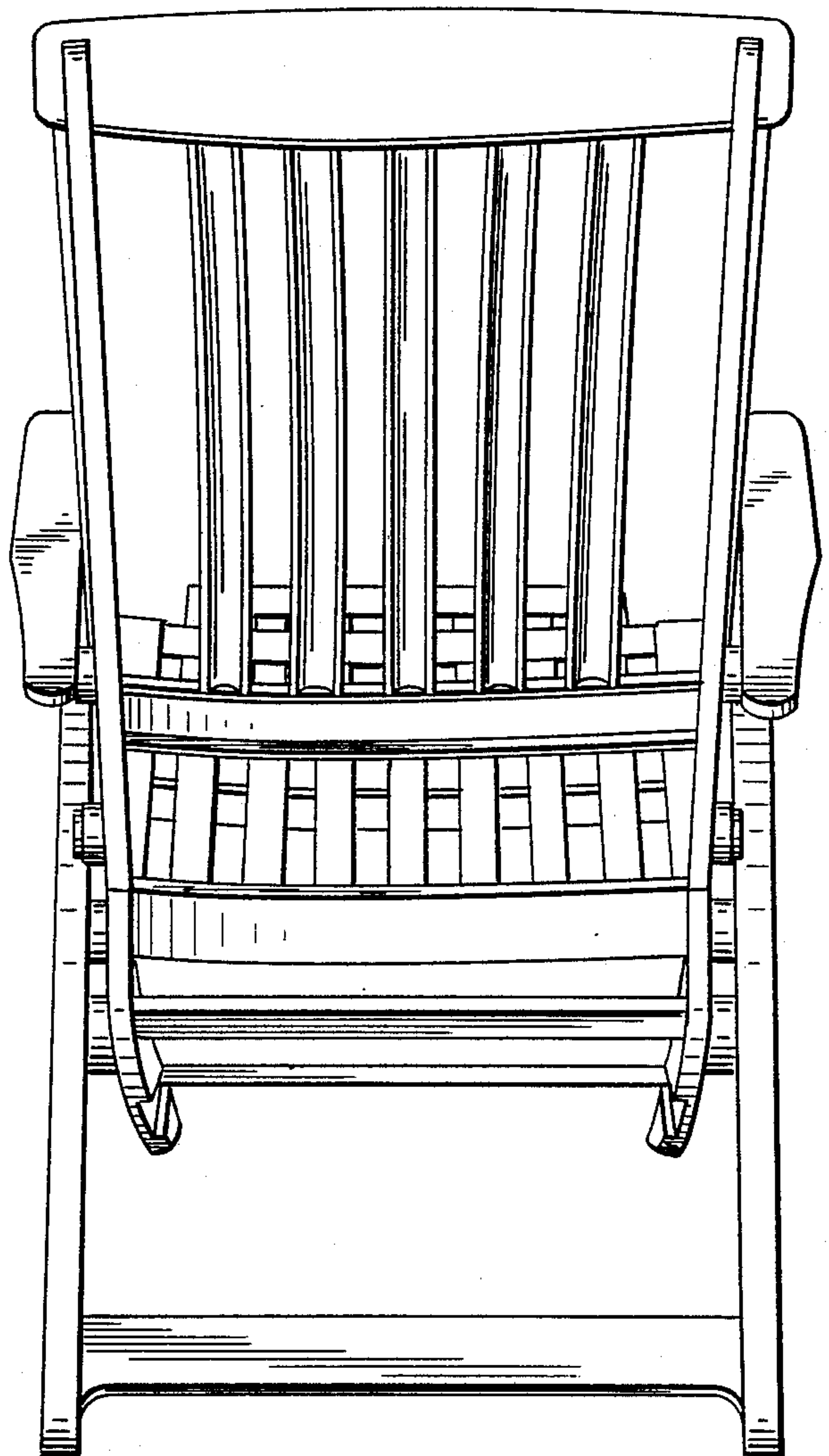
**Fig. 2**



**Fig. 3**

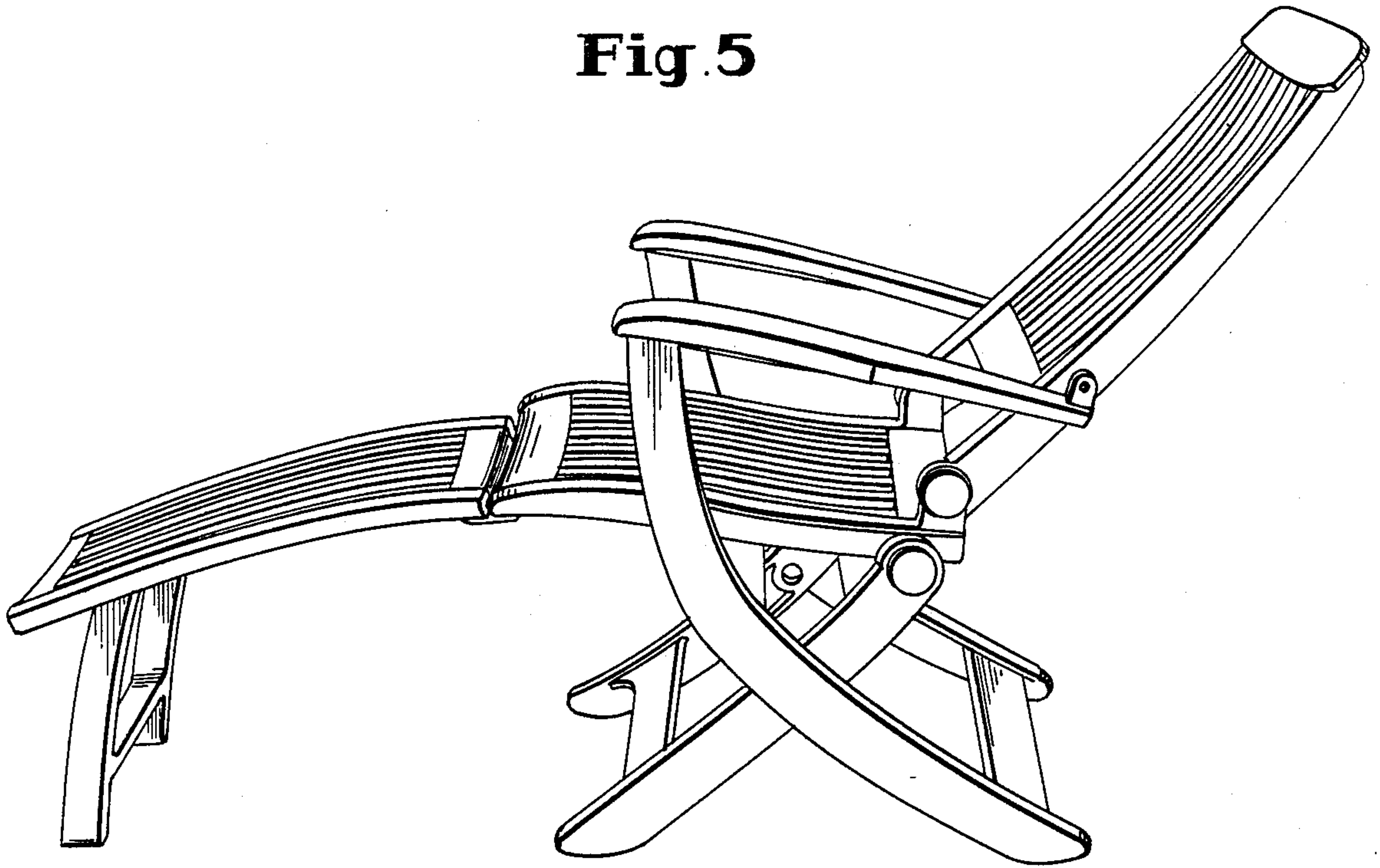


**Fig. 4**





**Fig. 5**



**Fig. 6**

