

[54] CASE FOR MAGNIFYING GLASS OR THE LIKE

[75] Inventor: Shintaro Tsuji, Tokyo, Japan

[73] Assignee: Sanrio Company, Ltd., Tokyo, Japan

[\*\*] Term: 14 Years

[21] Appl. No.: 229,030

[22] Filed: Aug. 5, 1988

[52] U.S. Cl. .... D3/33; D16/136

[58] Field of Search ..... D3/33, 39, 30.1, 34; D28/78; D12/204; D16/136; 350/242; 206/823, 361

[56] References Cited

U.S. PATENT DOCUMENTS

D. 56,136	8/1920	Gilbert	.....	D12/204
D. 187,052	1/1960	Kellogg	.....	D3/30.1
D. 238,756	2/1976	Swett	.....	D28/78
2,219,454	10/1940	Reilly	.....	206/823

4,037,940 7/1977 Yates et al. .... 350/242

Primary Examiner—A. Hugo Word  
Assistant Examiner—Doris V. Coles  
Attorney, Agent, or Firm—Owen, Wickersham & Erickson

[57] CLAIM

The ornamental design for a case for magnifying glass or the like, as shown.

DESCRIPTION

FIG. 1 is a view in perspective of a case for a magnifying glass, showing my new design, looking from the front and from above.

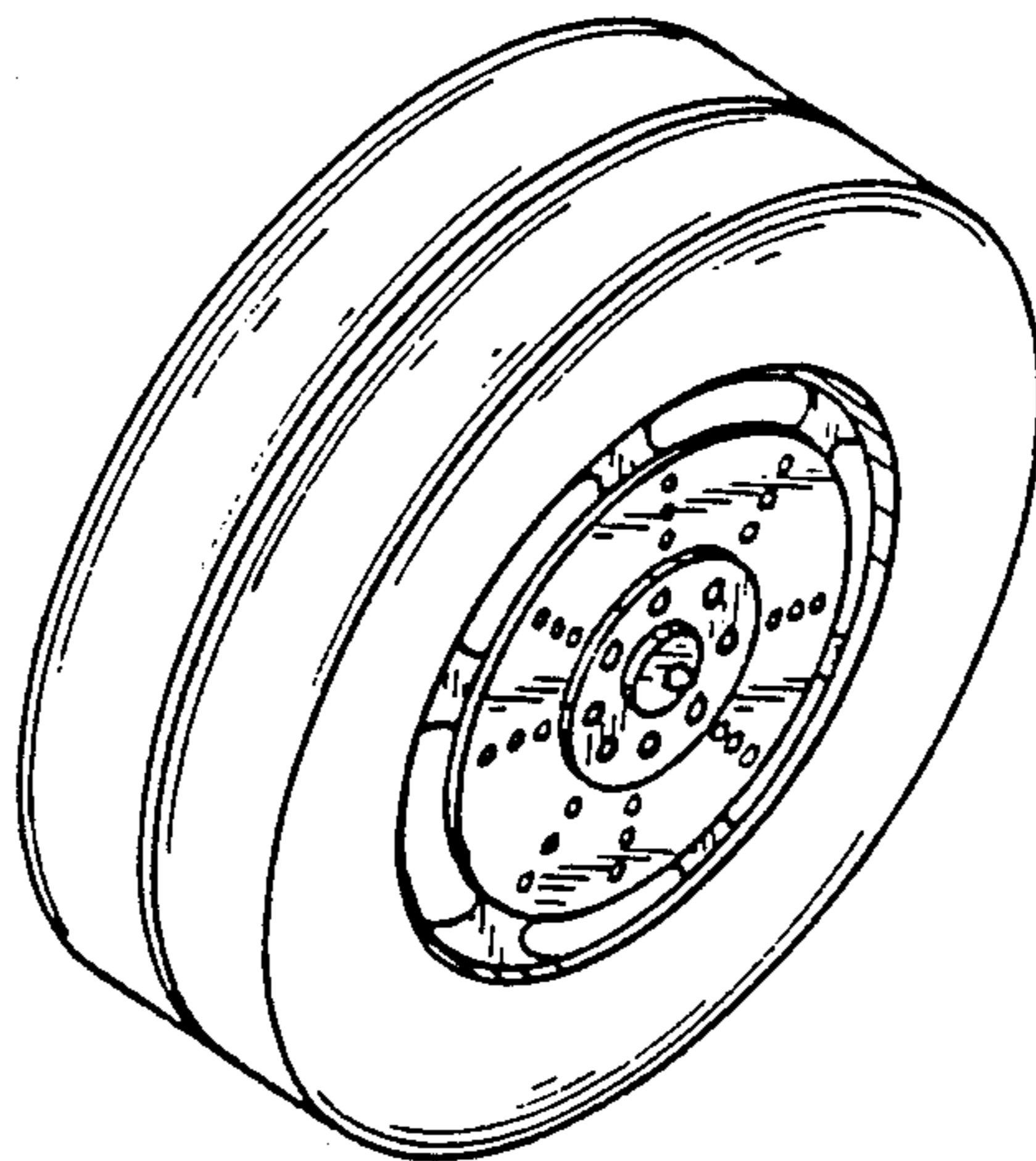
FIG. 2 is a view in front elevation of the same.

FIG. 3 is a top plan view of the same.

FIG. 4 is a view in side elevation of the same.

FIG. 5 is a view in section of the same, taken along line 5—5 in FIG. 2.

FIG. 6 is a view in perspective, similar to FIG. 1 but with the case opened for receiving a magnifying glass or the like.



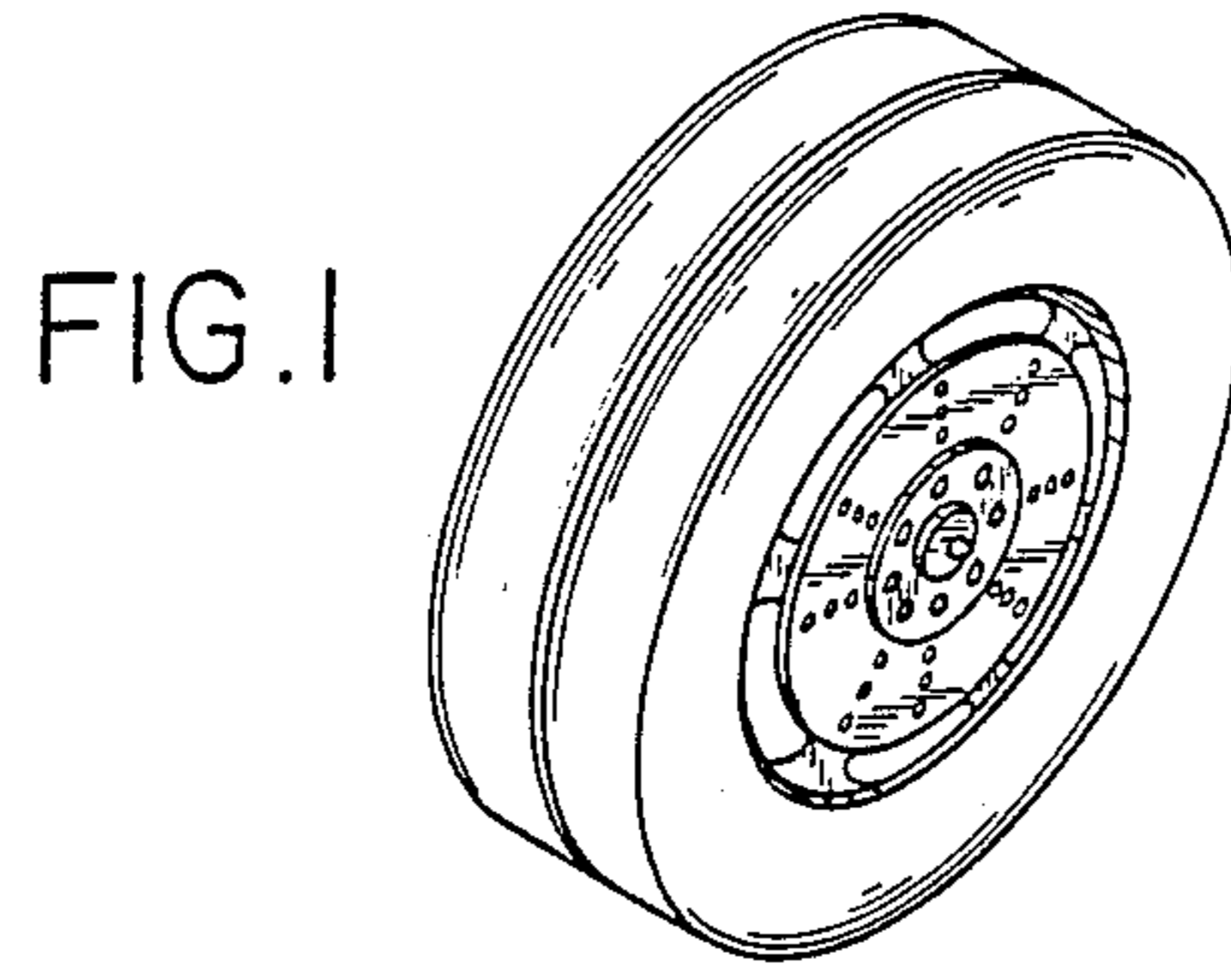


FIG. 3

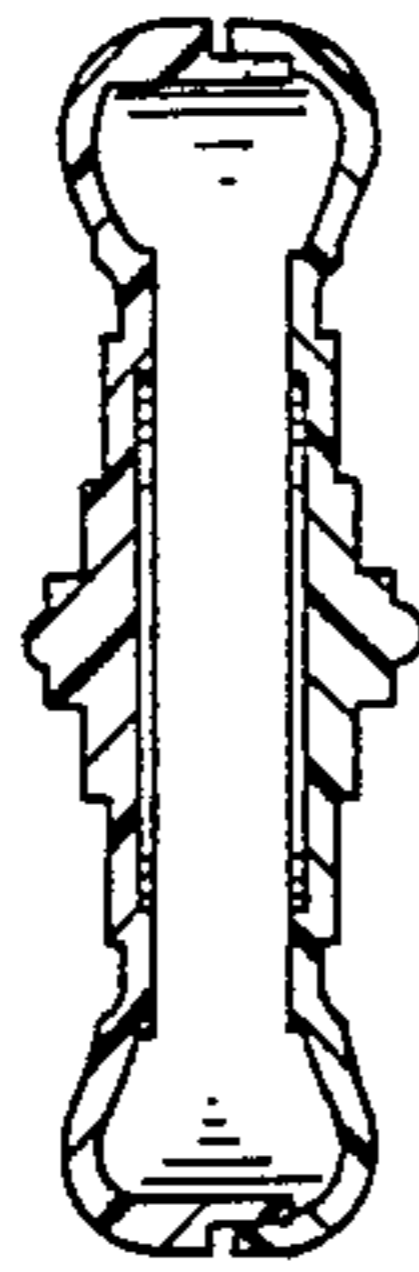
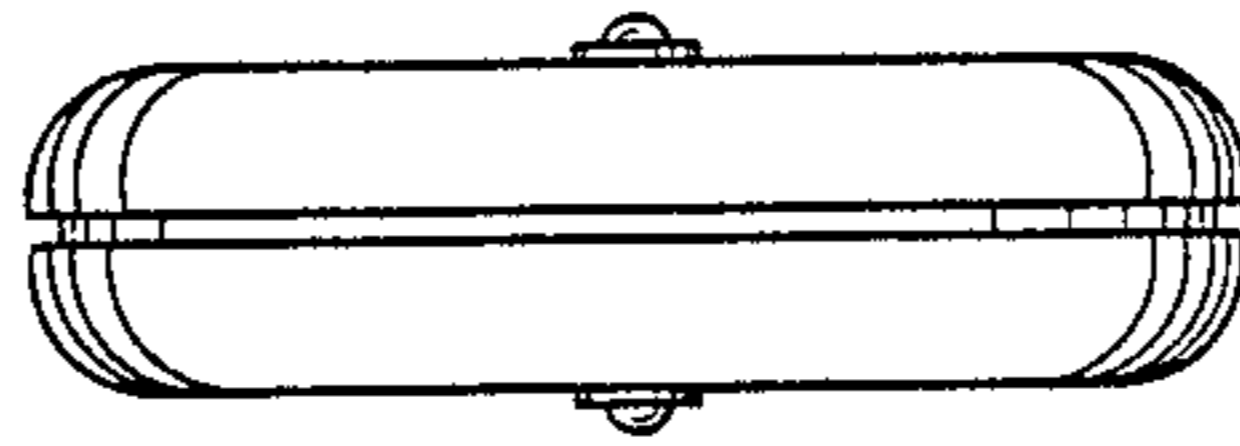
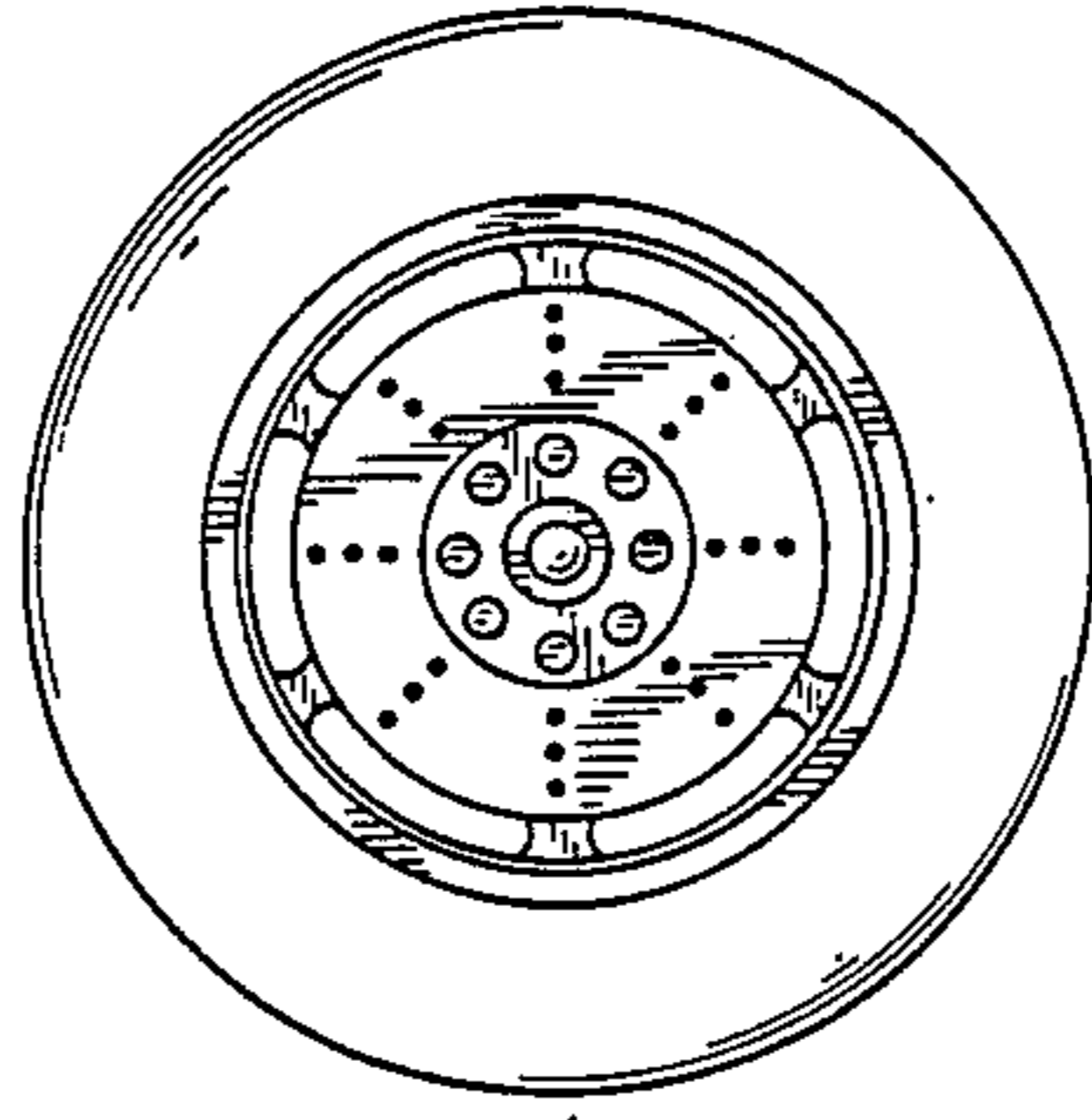


FIG. 5

5 ←



5 ←  
FIG. 2

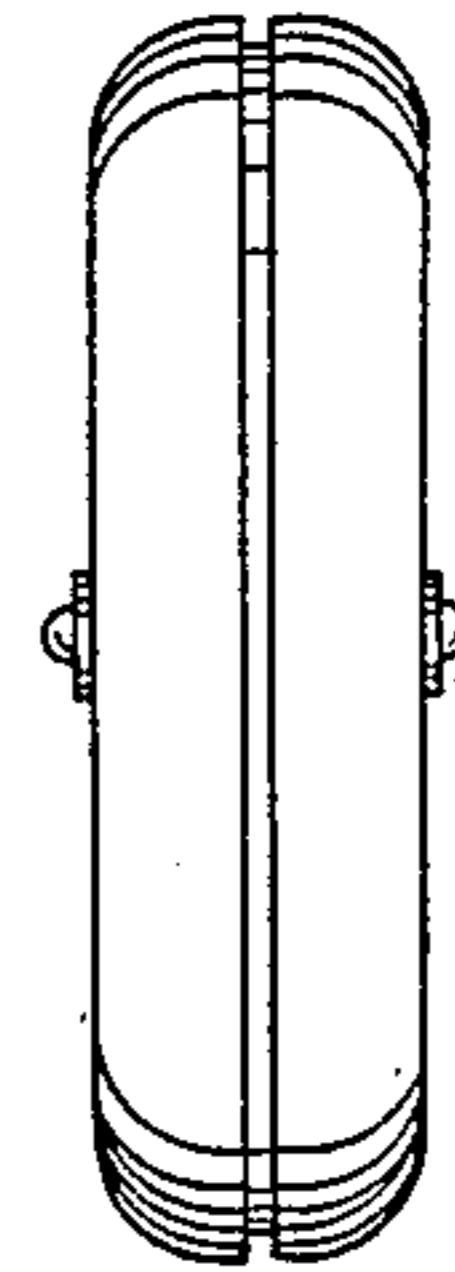


FIG. 4

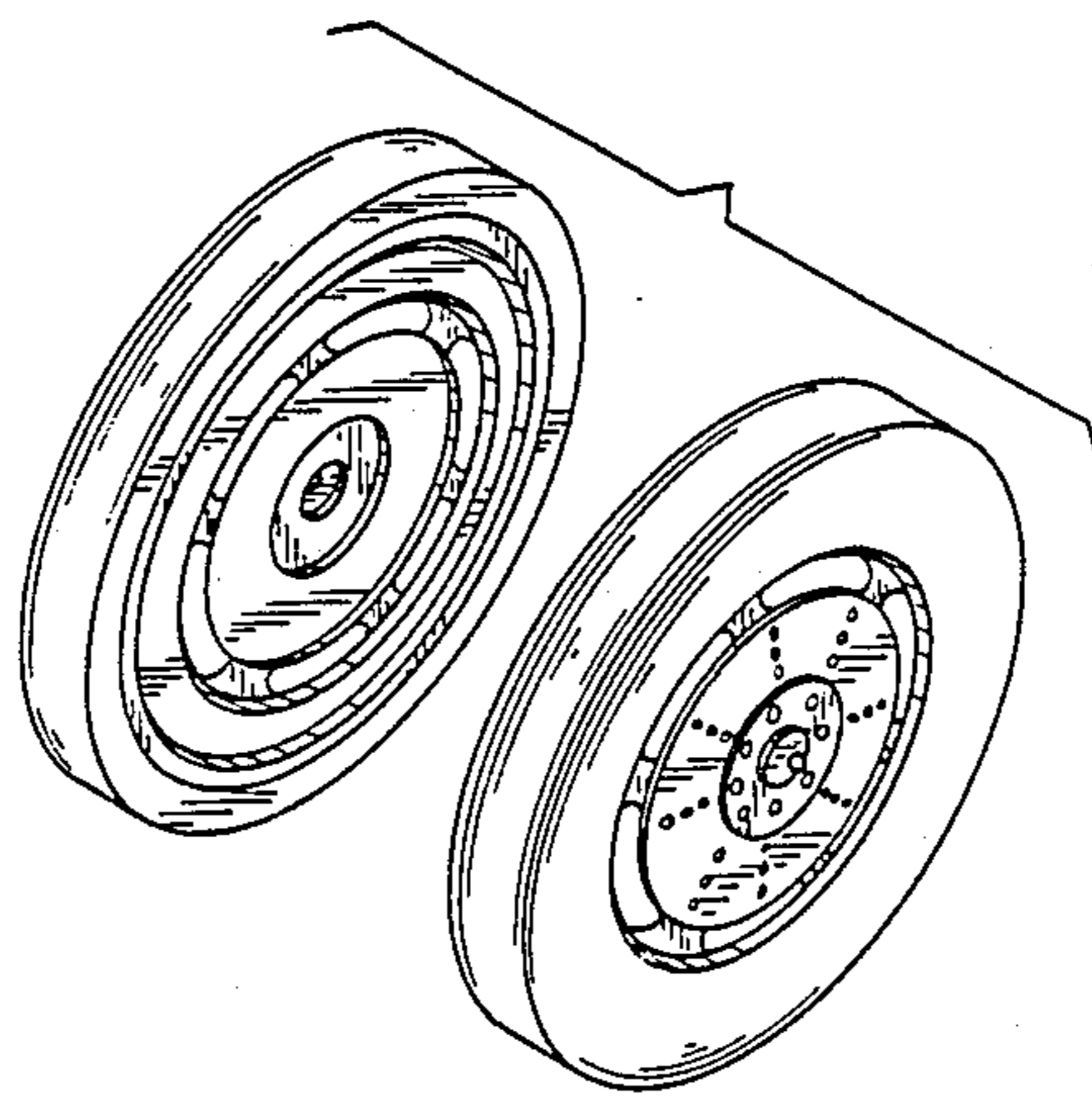


FIG. 6