

[54] ROLLING GATE GRILLE

[76] Inventor: Vincent Greco, 65 Rockledge Dr., Pelham Manor, N.Y. 10803

[**] Term: 14 Years

[21] Appl. No.: 191,479

[22] Filed: May 9, 1988

Related U.S. Application Data

[63] Continuation-in-part of Ser. No. 776,480, Sep. 16, 1985, Pat. No. Des. 297,463.

[52] U.S. Cl. D25/50; D25/53; D25/153

[58] Field of Search D25/48, 50, 51, 53, D25/153, 154, 156; D5/54; 52/180; 160/235, 238; 256/19, 22, 24, 54, 59, 65, 73

[56] References Cited

U.S. PATENT DOCUMENTS

- D. 102,814 1/1937 Brunst D25/47
- D. 127,444 5/1941 McCloud D25/48
- 4,516,377 5/1985 Feller D25/154

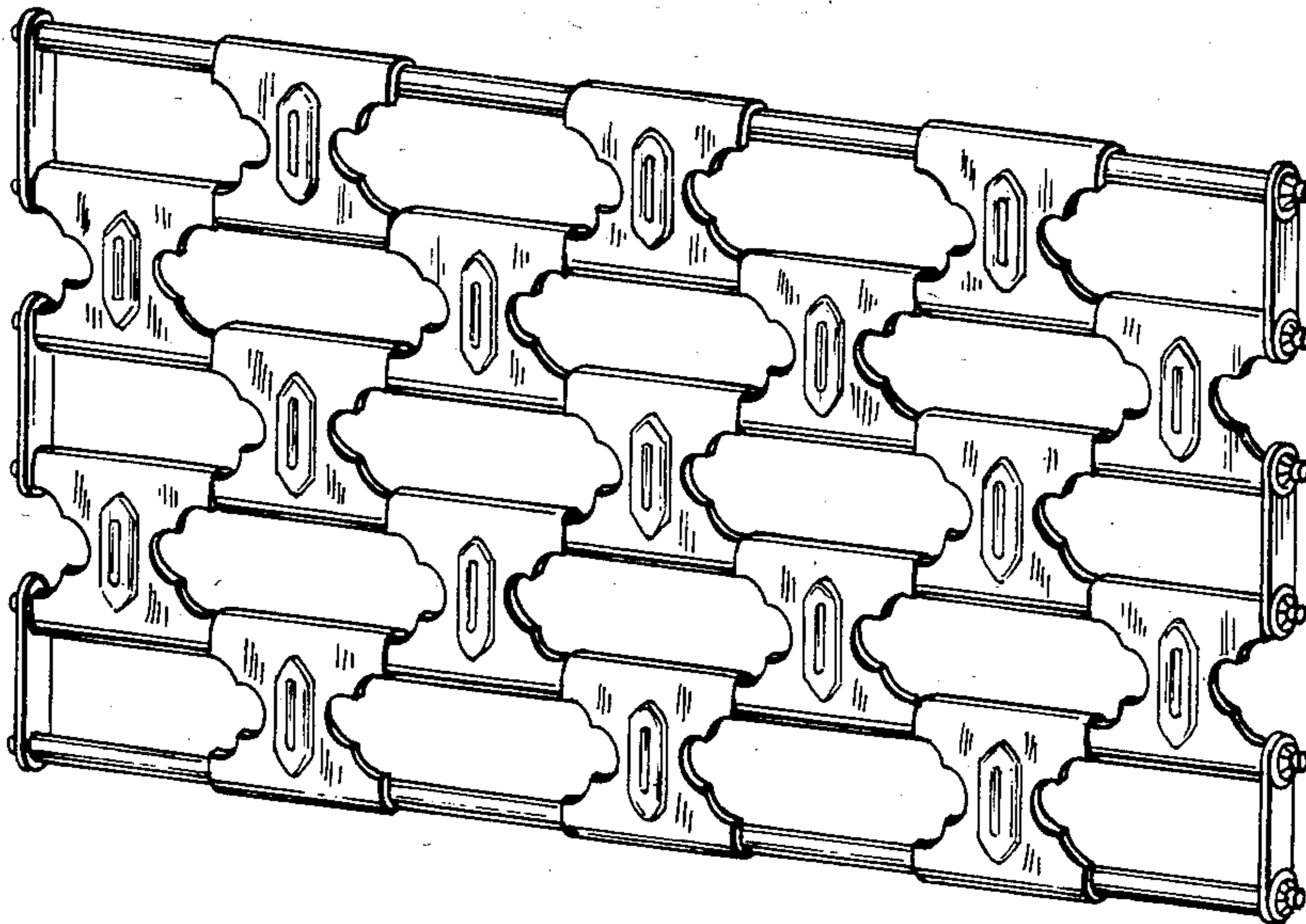
Primary Examiner—A. Hugo Word
Assistant Examiner—Doris Clark
Attorney, Agent, or Firm—Goodman & Teitelbaum

[57] CLAIM

The ornamental design for a rolling gate grille, as shown and described.

DESCRIPTION

FIG. 1 is a perspective view taken from the front of a rolling gate grille, showing my new design;
FIG. 2 is a perspective view taken from the rear thereof; and
FIG. 3 is an enlarged perspective view of one of the support members shown in FIG. 1.



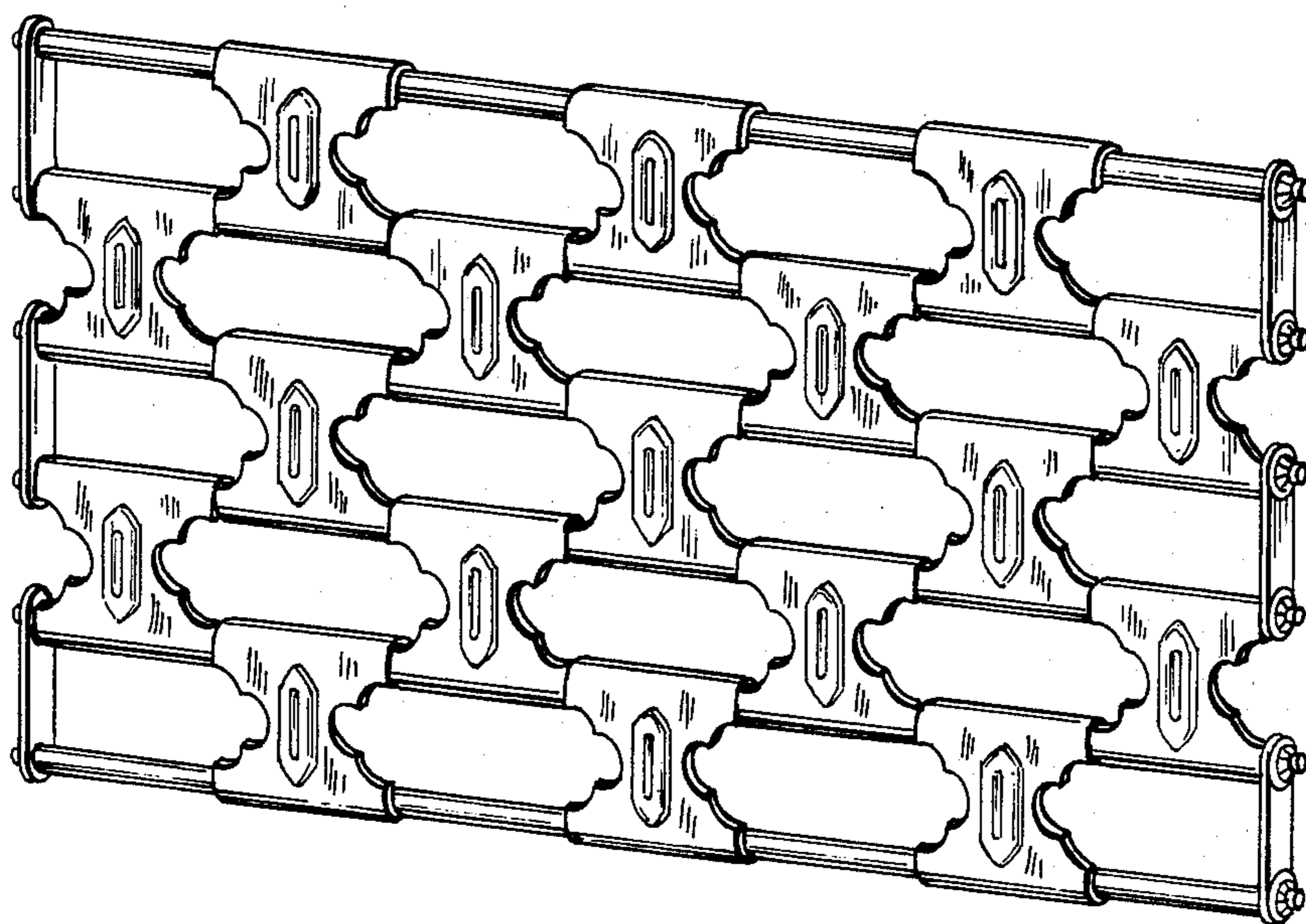


FIG. 1

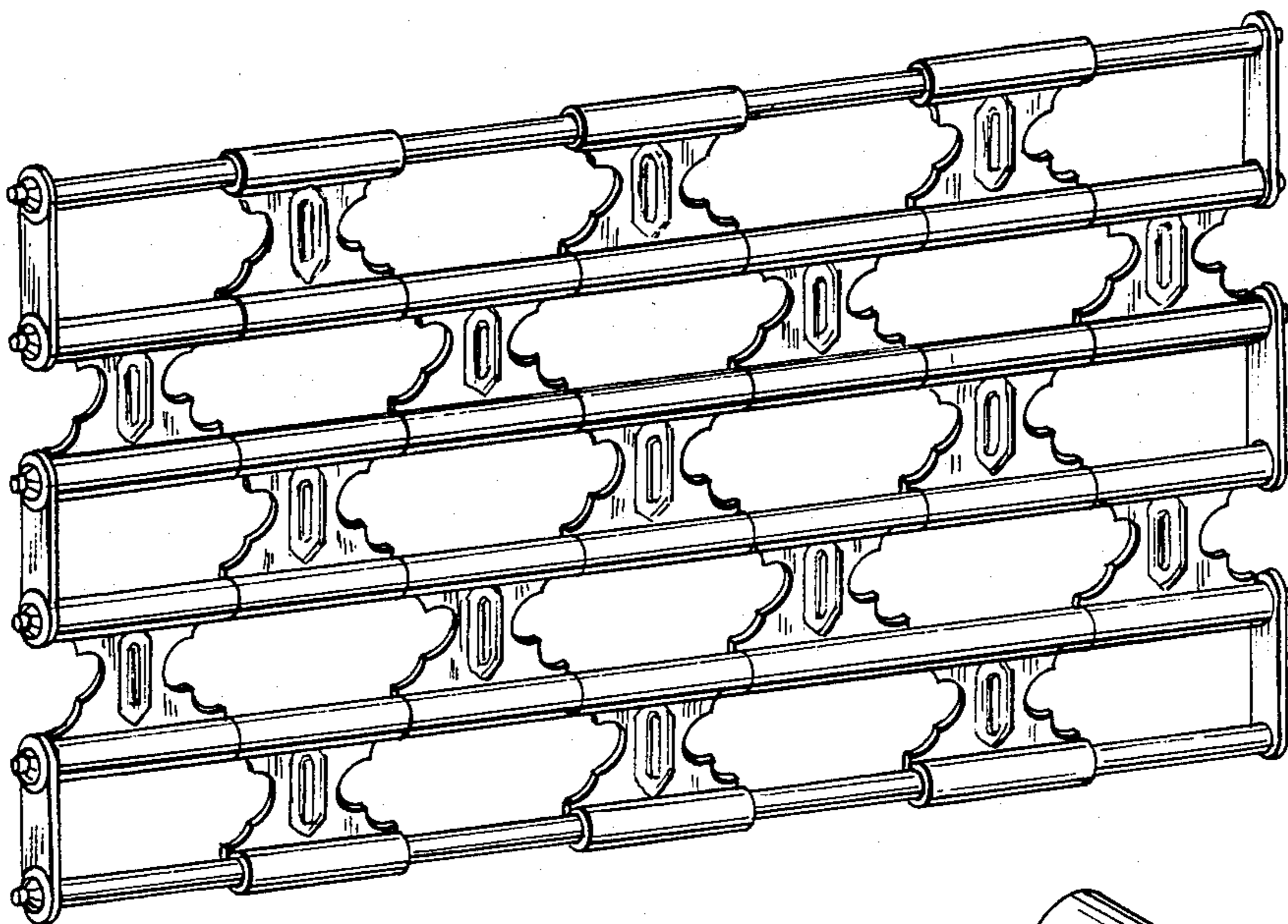


FIG. 2

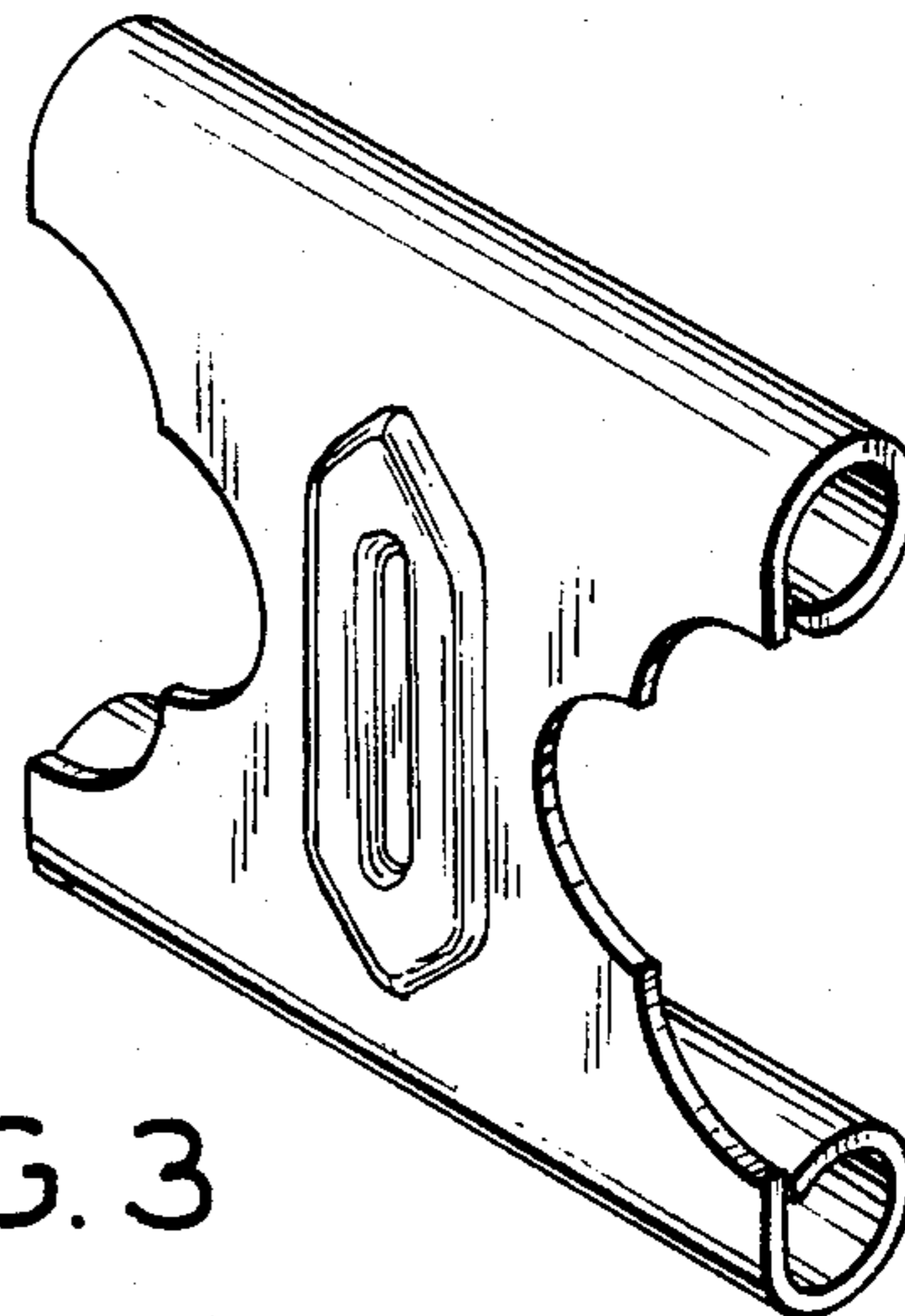


FIG. 3