

[54] BELLOWS FOR SURGICAL DRAINAGE

[75] Inventors: Udo P. Büchel, Billdal; Kjell I. Wellenstam, Gothenburg, all of Sweden

[73] Assignee: Astra Meditec Aktebolag, Molndal, Sweden

[**] Term: 14 Years

[21] Appl. No.: 899,526

[22] Filed: Aug. 22, 1986

D. 237,549	11/1975	Tillander et al. .	
D. 237,655	11/1975	Engelsher	D24/8
2,397,257	3/1946	Goland et al. .	
2,902,992	9/1959	Renvall .	
2,947,470	8/1960	Ruben .	
3,084,691	4/1963	Stoner .	
3,115,138	12/1960	McElvenny et al. .	
3,572,340	3/1971	Lloyd et al. .	
3,752,158	8/1973	Kariber .	
3,809,087	5/1974	Lewis, Jr. .	
4,068,662	1/1978	Sneider	604/186
4,386,607	6/1983	Miller	604/73 X
4,397,643	8/1983	Rygiel	128/760 X

Related U.S. Application Data

[63] Continuation-in-part of Ser. No. 509,167, Jun. 29, 1983, abandoned.

[30] Foreign Application Priority Data

Feb. 19, 1983 [SE] Sweden 83-0143

[52] U.S. Cl. : D24/51

[58] Field of Search D24/51, 53, 56, 58, D24/61; 604/35, 73, 75, 118, 119, 181, 182, 186, 212, 268, 316, 902; 128/760

[56] References Cited

U.S. PATENT DOCUMENTS

D. 195,613	7/1963	Picker	D24/56
D. 198,857	8/1964	Rabin	D24/61
D. 204,353	4/1966	Magers .	

FOREIGN PATENT DOCUMENTS

351785 12/1972 Sweden .

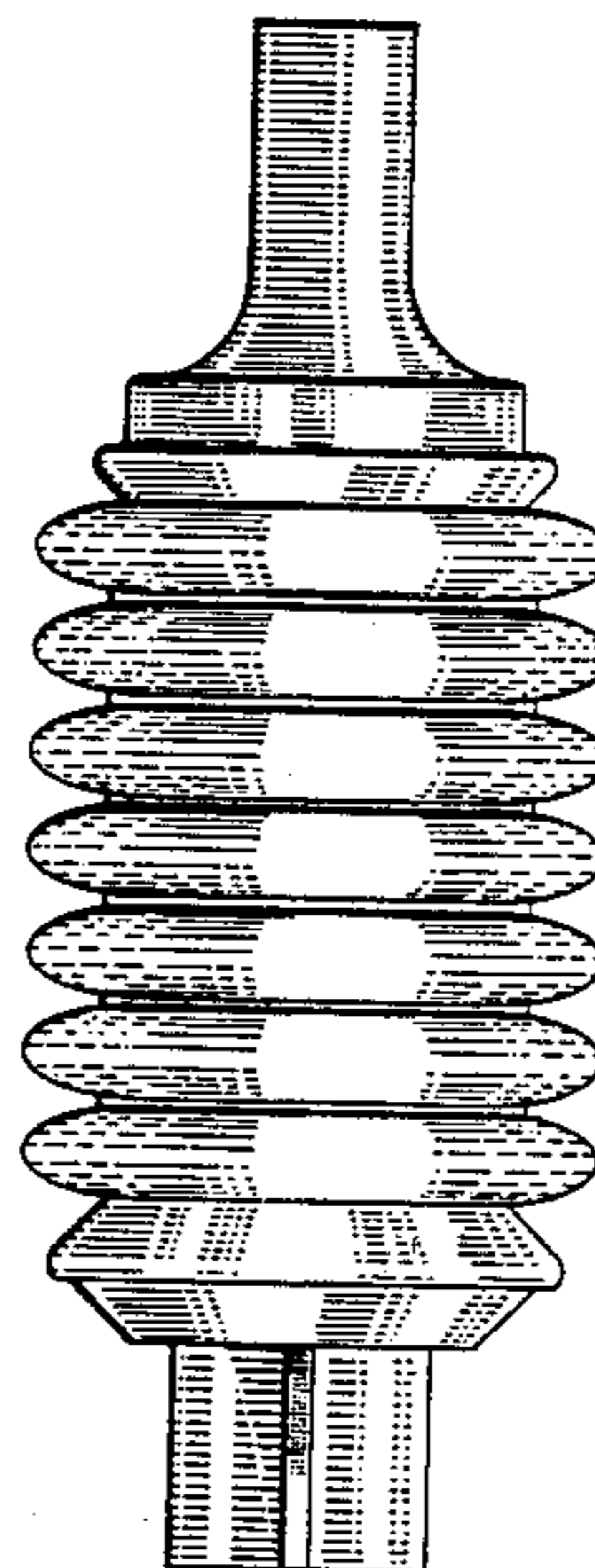
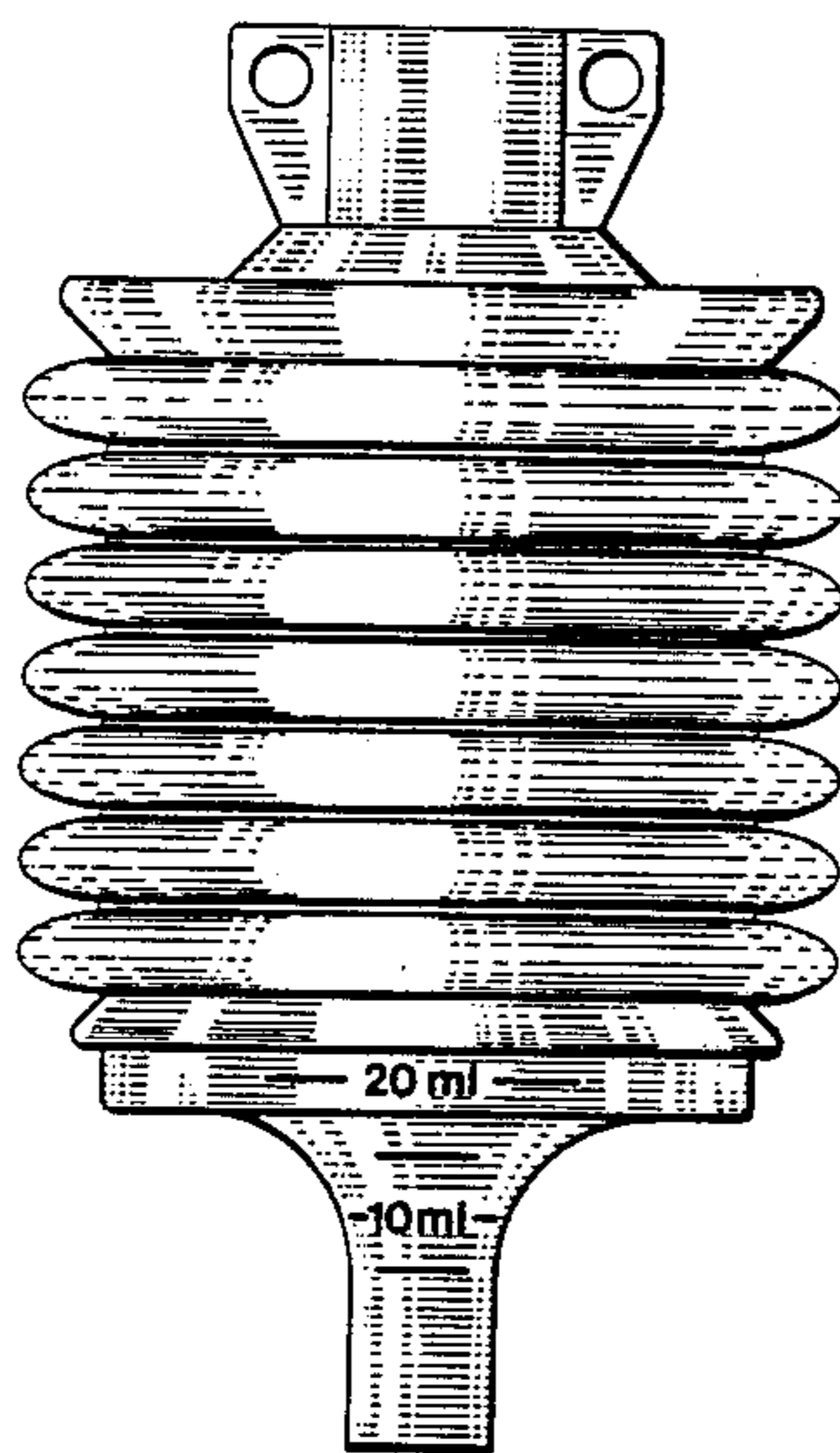
Primary Examiner—Wallace R. Burke
Assistant Examiner—Stella M. Reid
Attorney, Agent, or Firm—White & Case

[57] CLAIM

The ornamental design for bellows for surgical drainage, as shown.

DESCRIPTION

FIG. 1 is a front elevational view of a bellows for surgical drainage showing our new design; FIG. 2 is a side elevational view thereof; FIG. 3 is a top plan view thereof; and FIG. 4 is a bottom plan view thereof.



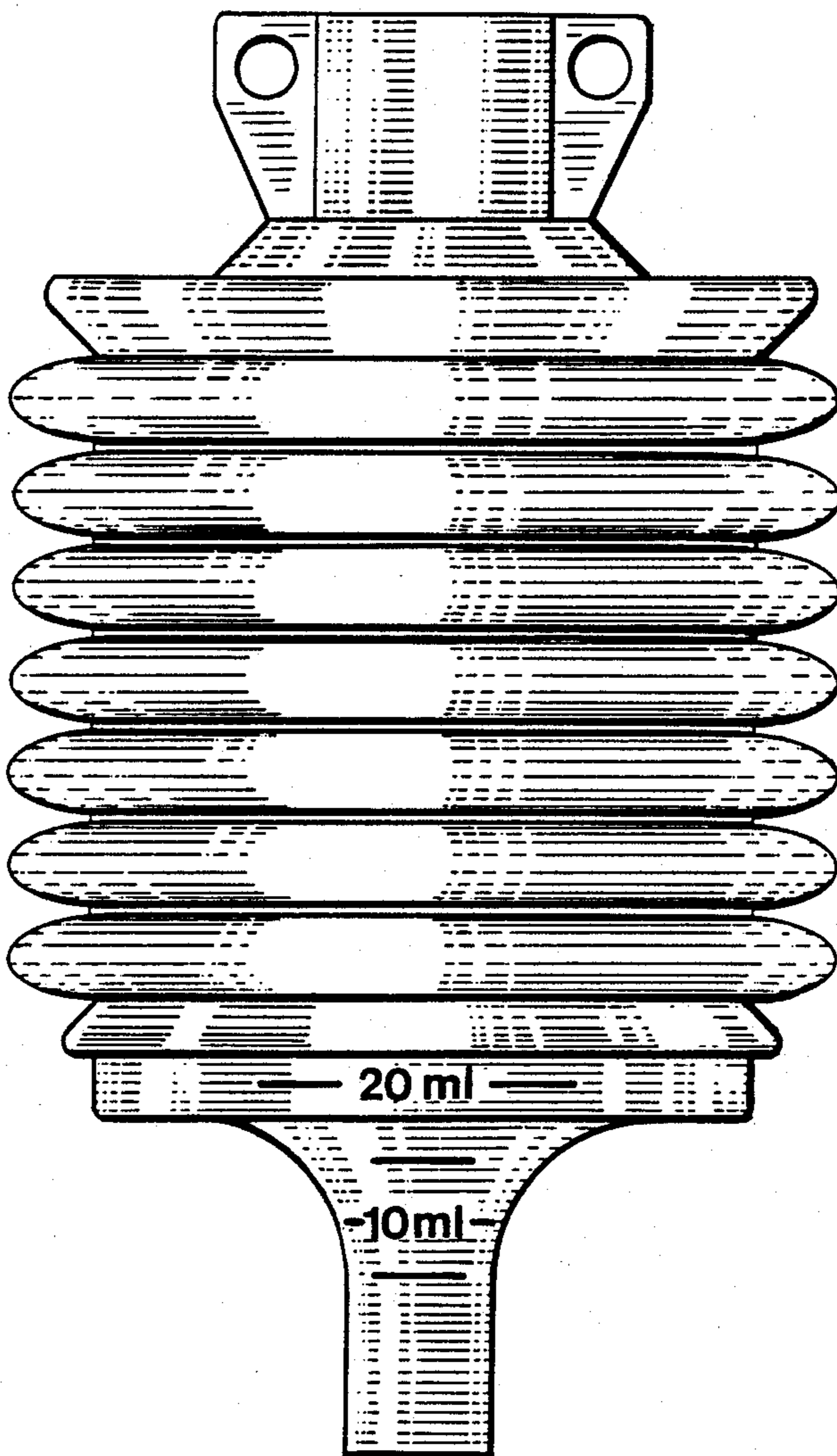


FIG. 1

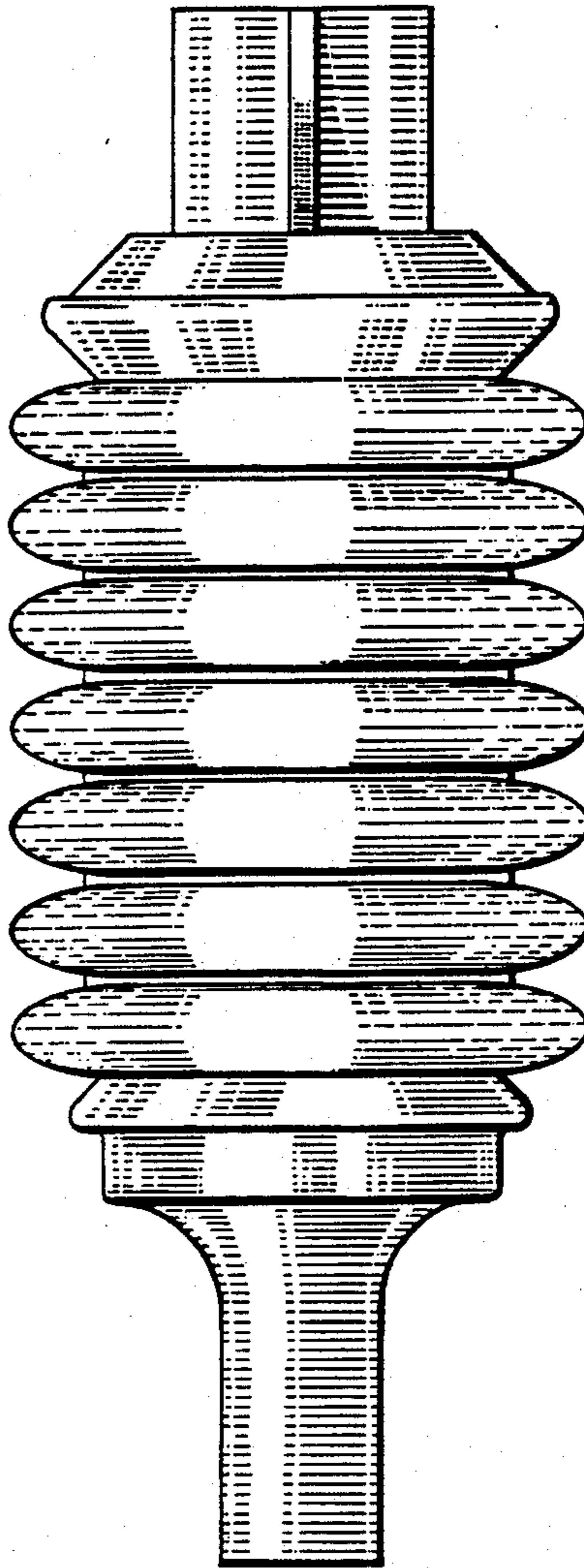


FIG. 2

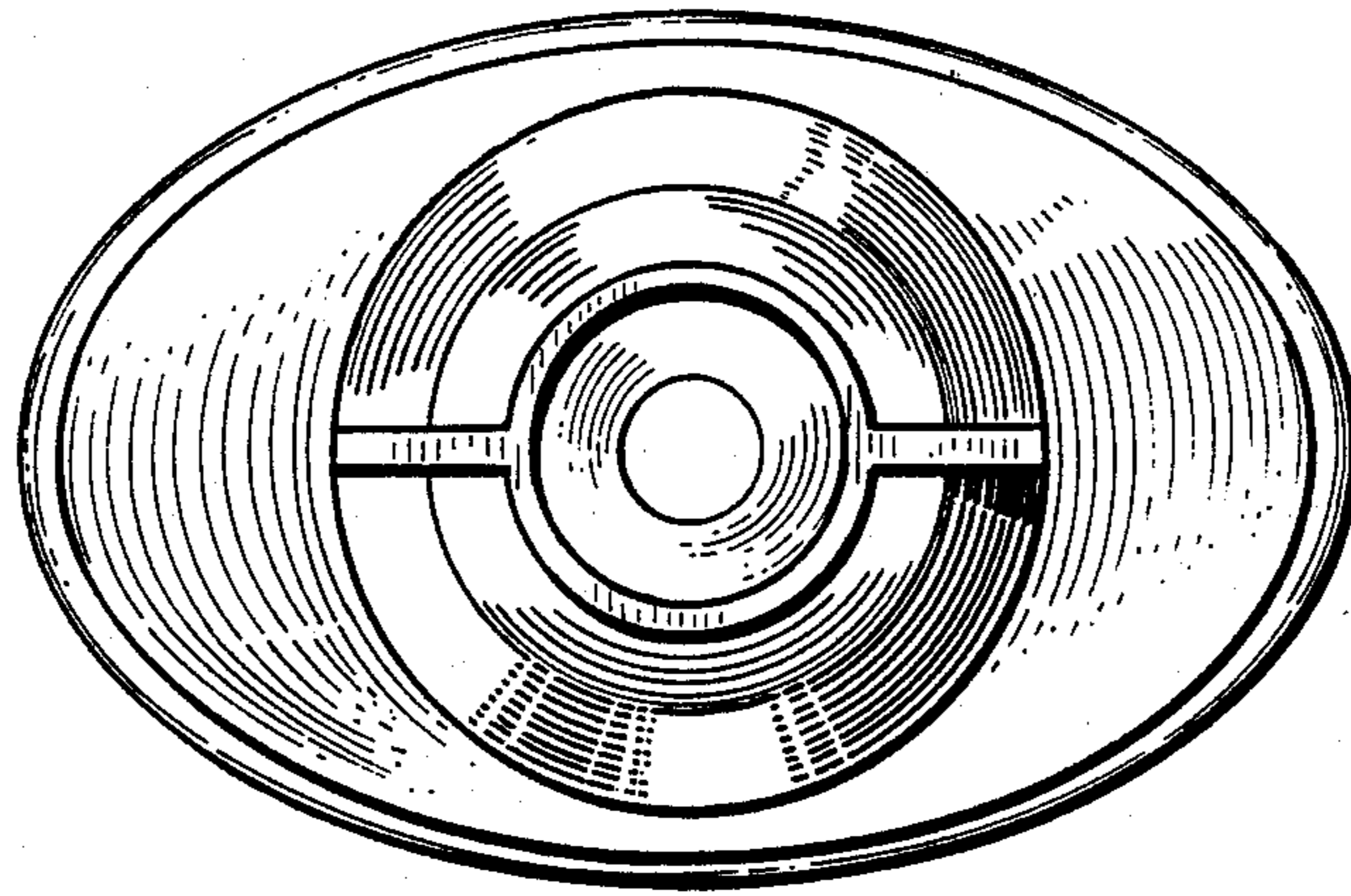


FIG. 3

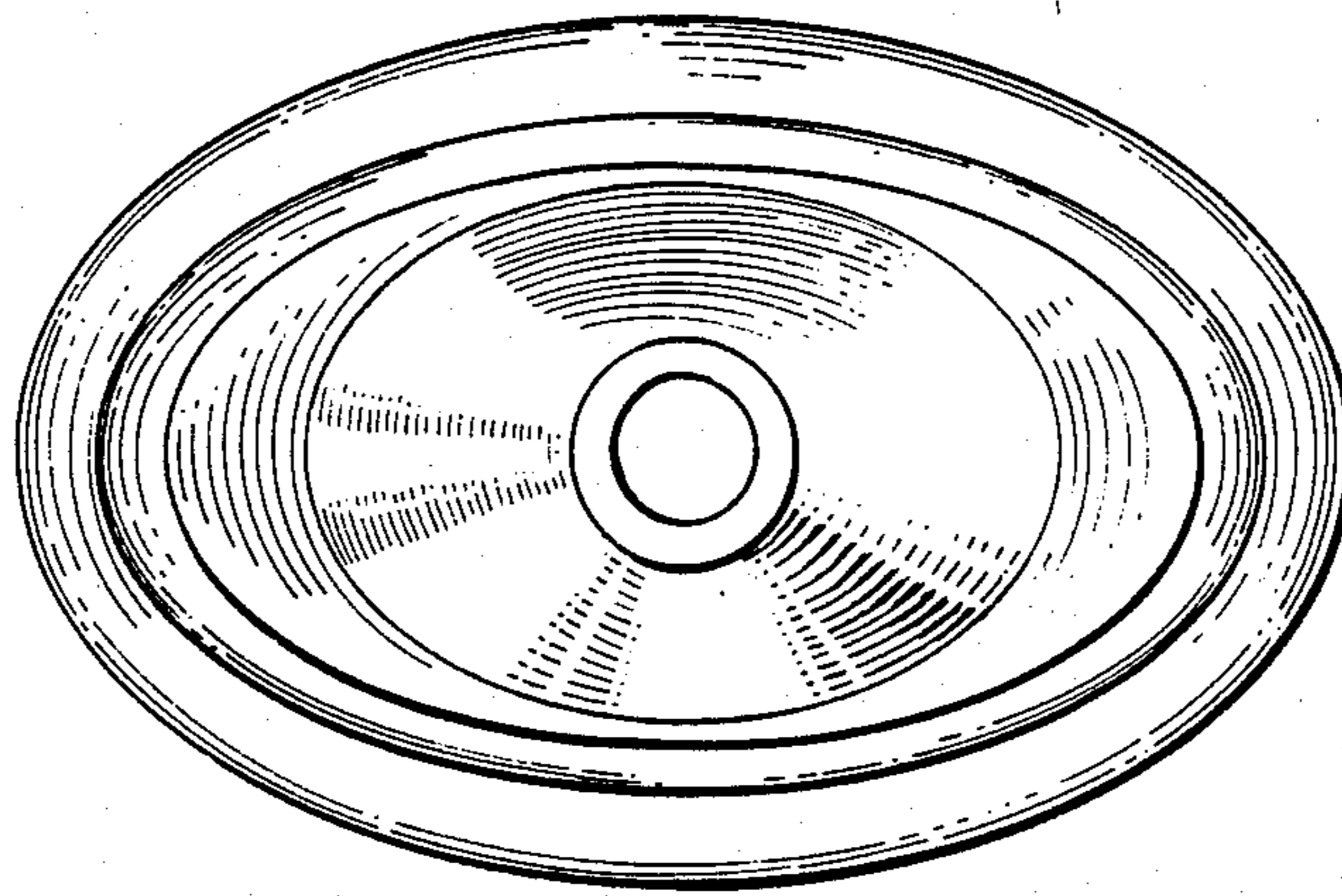


FIG. 4