

[54] WHIRLPOOL BATH TUB

D. 285,600 9/1986 Steinhardt D24/38 X
2,417,499 3/1947 Ille .

[75] Inventors: Roy A. Jacuzzi, Moraga; Ralph D’Innocente, Pittsburgh; Peter K. Pruscha, Oakley, all of Calif.

Primary Examiner—Wallace R. Burke
Assistant Examiner—Stella M. Reid
Attorney, Agent, or Firm—Limbach, Limbach & Sutton

[73] Assignee: Jacuzzi Whirlpool Bath, Walnut Creek, Calif.

[57] CLAIM

[**] Term: 14 Years

The ornamental design for a whirlpool bath tub, as shown.

[21] Appl. No.: 93,901

DESCRIPTION

[22] Filed: Sep. 4, 1987

[52] U.S. Cl. D24/38

[58] Field of Search D24/38; 4/506, 513, 4/541, 542, 590, 592, 580-583; D23/277, 280

FIG. 1 is a perspective view of a whirlpool bath tub showing our new design;
FIG. 2 is a top plan view thereof;
FIG. 3 is a side elevational view thereof, taken from the lower right side of FIG. 1;
FIG. 4 is a side elevational view thereof, taken from the lower left side of FIG. 1; and
FIG. 5 is a cross-sectional view taken along line 5—5 of FIG. 1; and
FIG. 6 is a cross-sectional view taken along line 6—6 of FIG. 1.

[56] References Cited

U.S. PATENT DOCUMENTS

- D. 237,709 11/1975 Jacuzzi et al. .
- D. 247,978 5/1978 D’Innocente D24/38
- D. 264,628 5/1982 Longmire .
- D. 265,922 8/1982 Jasperson .

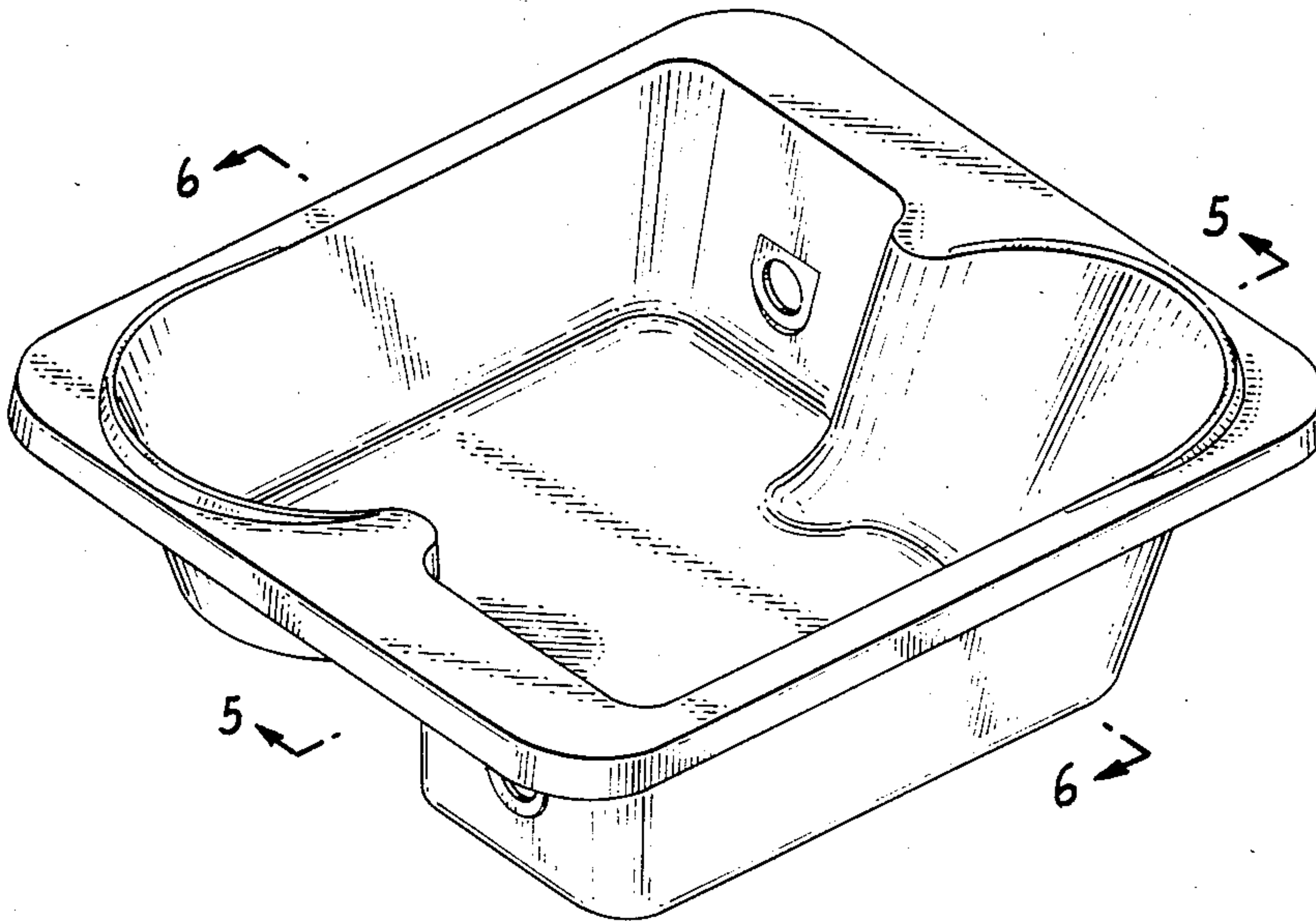


FIG. 1

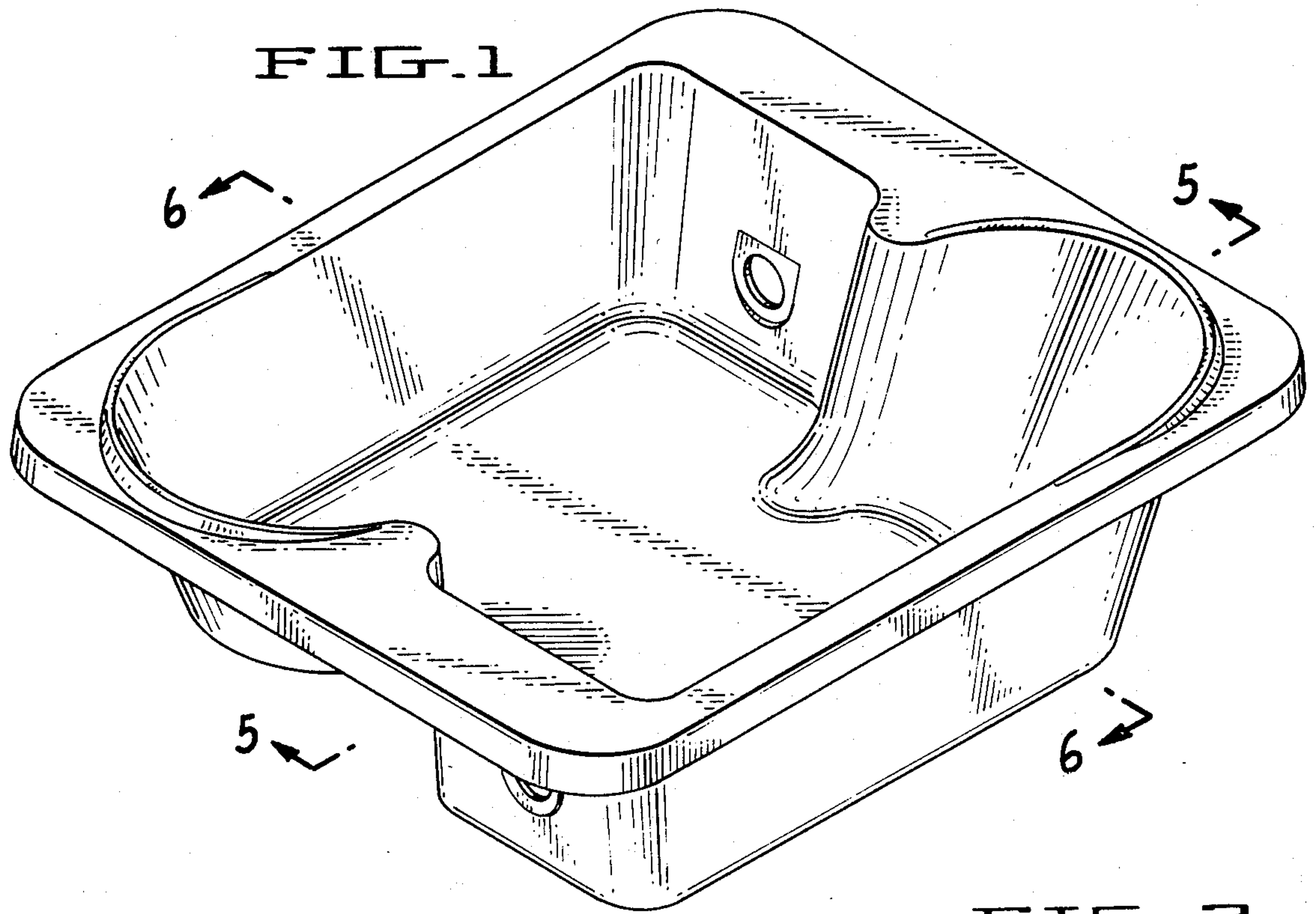
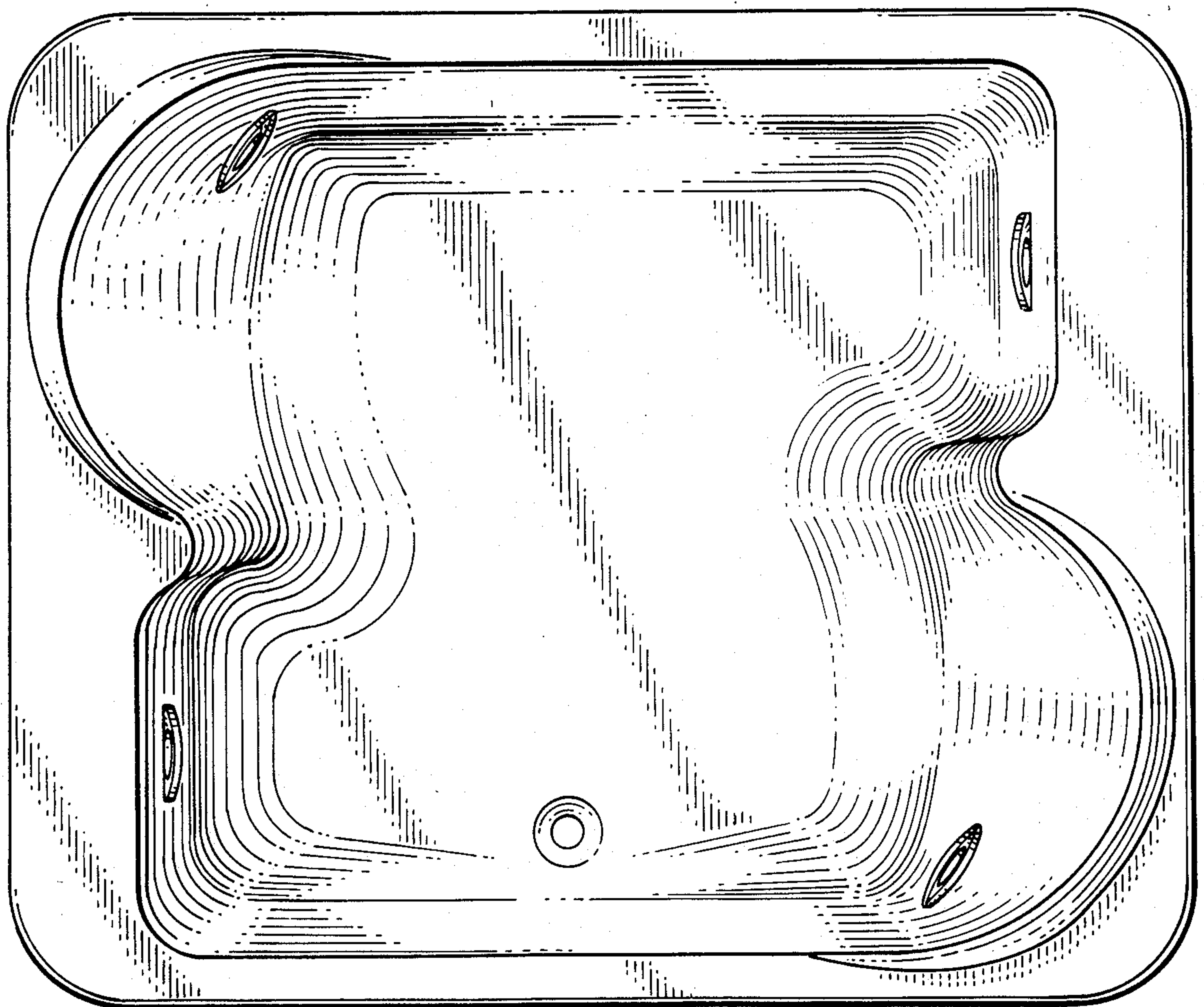


FIG. 2



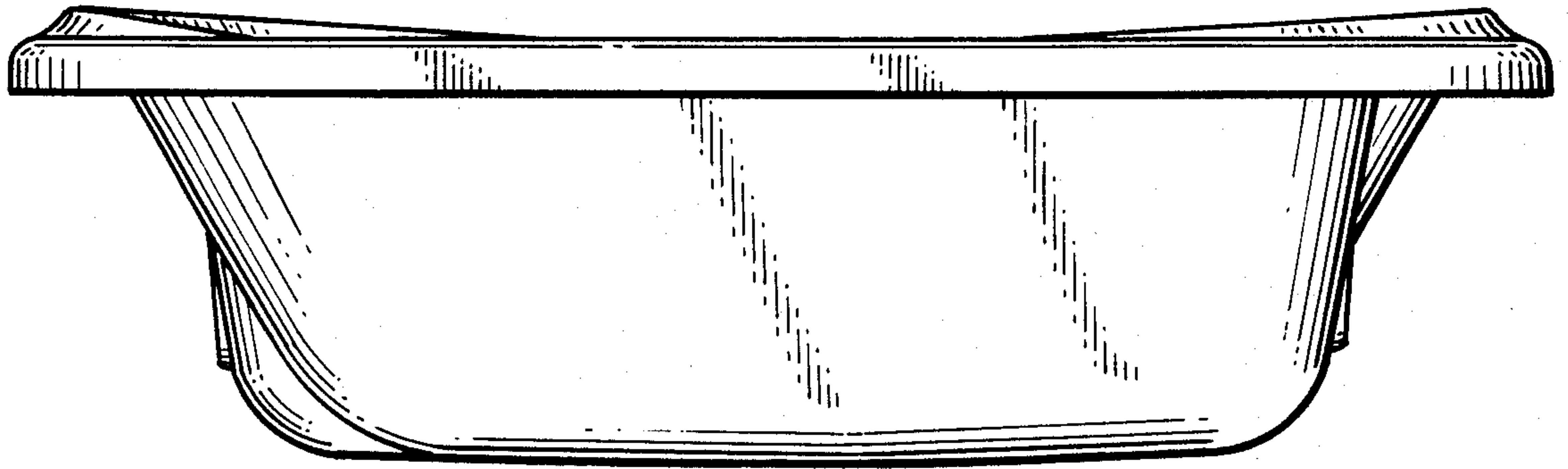


FIG. 3

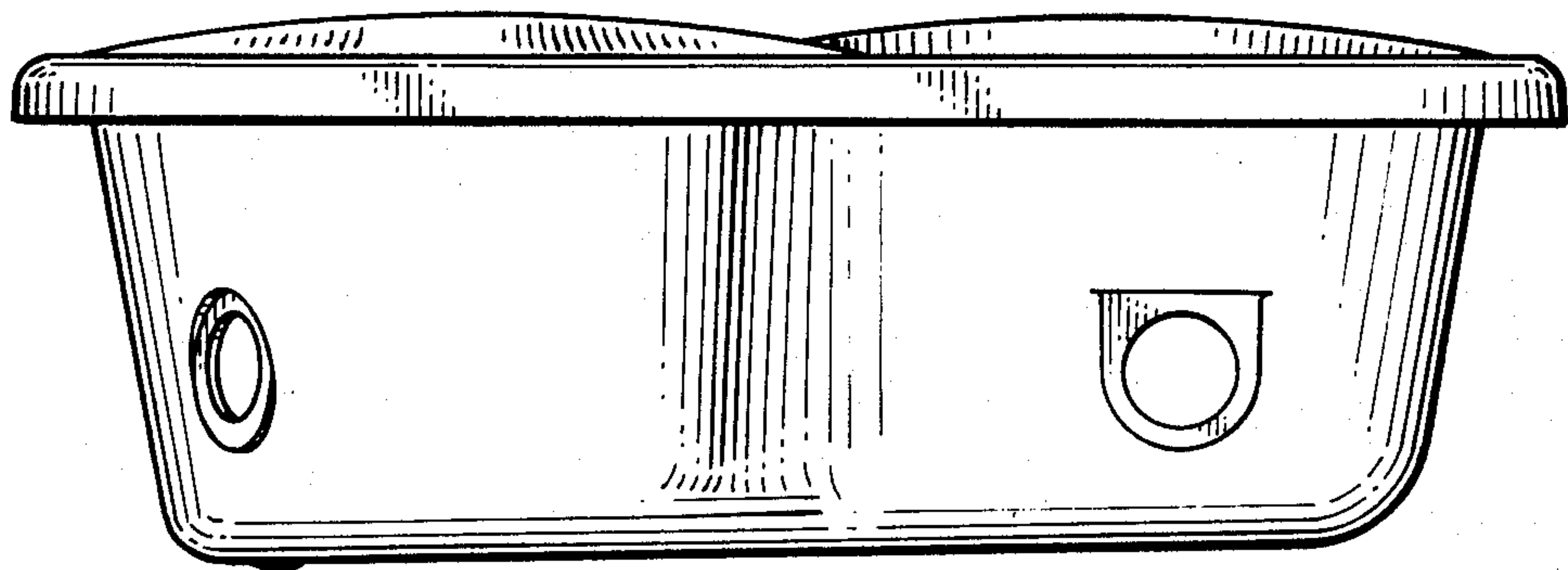


FIG. 4

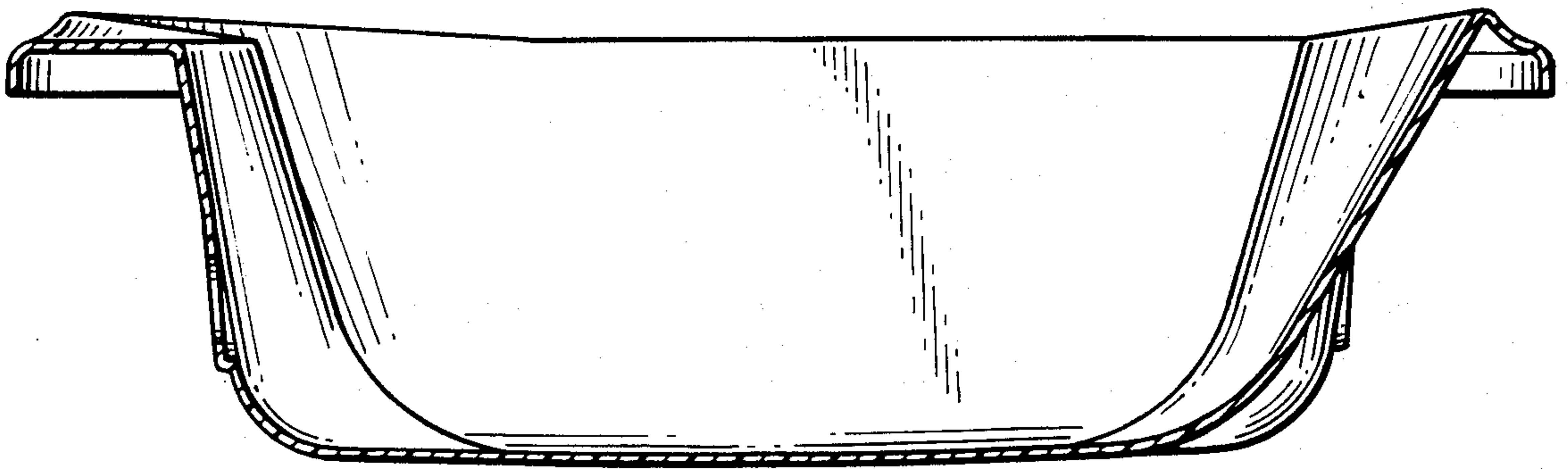


FIG. 5

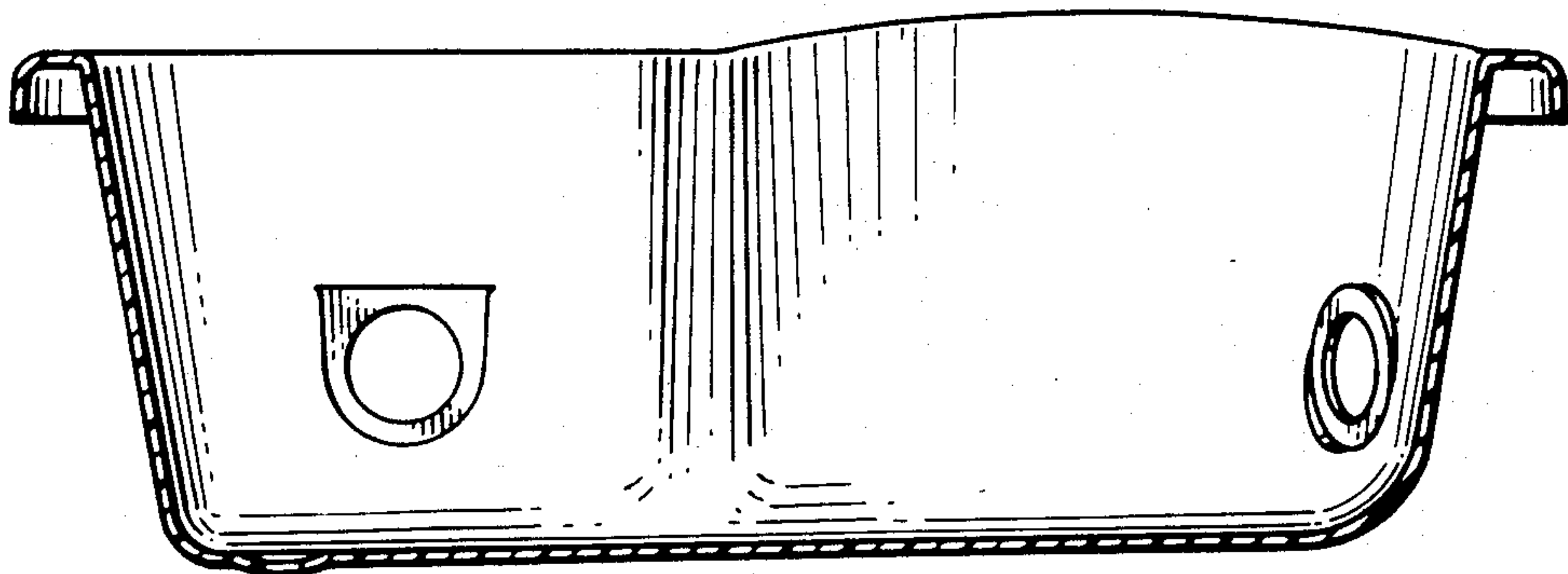


FIG. 6